

Effective June 1, 2019

PRICE LIST and PRODUCT SPECIFICATIONS



TASK FORCE TIPS®
FIRE FIGHTING EQUIPMENT



TASK FORCE TIPS LLC
ISO 9001:2015
10001004 QM15

Task Force Tips saves lives and protects property by designing and manufacturing innovative tools which exceed the expectations of those that risk their lives to save others.

800-348-2686 • 219-462-6161

TFT.com



Join the conversation: **TFT.com**     

Contact your local TFT distributor for information, literature, demonstrations and support.

what's new...

Highlights



Bluetooth® Controls

Page 171



SHO-FLOW

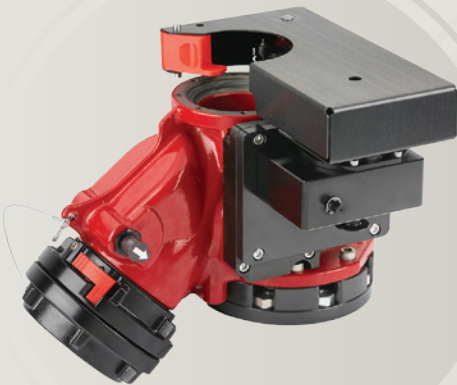
Page 55



Vortex 2

Vortex 2 ER

Pages 136



Oscillating Booster

Page 203



Master Stream 4000

Pages 166



ADAPTER CATALOG
Available online in PDF format

TFT.com

Customer Technical Service: service@tft.com
North America Sales: sales@tft.com
International Sales: intsales@tft.com

TFT.com

24-Hour Turnaround Factory Service
24-Hour Technical Hot-line: 800-854-6864 • 219-462-6161

ORDERING INFORMATION

VERBAL ORDERS: Are accepted; however, any mistakes in ordering will be the responsibility of the customer. E-mail or faxed purchase orders are highly recommended. E-mail to sales@tft.com or fax to 219-464-7155.

TERMS: Net 30 days. Subject to credit approval. Subject to finance charge of one and one half percent (1.5%) per month.

DELIVERY: F.O.B. Factory. Shipments under 150 lb. (per box) will be sent by regular United Parcel Service. Please advise if other methods such as express shipment, or common carrier are required. Large items may be shipped by common carrier. Some orders for larger quantities may be bulk packed.

EXPEDITED ORDER PROCESSING

Task Force Tips recognizes that situations arise that may require TFT to consider expediting an existing order.

Upon acceptance of a revised estimated shipping date, a 10% expedite fee will be charged and shown as a separate line item on the invoice.

For additional information, contact Task Force Tips order entry team.

RETURN POLICY

Seller will not consider requests for credit returns made more than 180 days after the date of shipment. Damaged shipments received in a damaged condition must be reported to us immediately upon receipt. No credit returns shall be accepted by Seller unless accompanied by a Return Goods Authorization (RGA) issued by Seller.

Seller shall have no obligation to issue an RGA. Seller reserves the sole right to determine the eligibility of items for credit.

Items which are received in non-returnable condition for credit will be handled in one of the following ways:

- Destroyed with Purchaser's approval
- Returned to Purchaser at its expense
- Refurbished and returned to Purchaser at its expense with its approval
- Partial credit issued to Purchaser at the sole discretion of Seller

Seller will have no responsibility or liability in connection with items returned for credit without an RGA. Credit returns arriving without a valid RGA may be refused. All items returned must be properly packed and identified in accordance with the RGA.

All costs and expenses associated with credit returns shall be borne by Purchaser. Return costs and expenses may include labor, material, administrative, and any other costs and expenses arising out of the return. A minimum 20% restocking charge may be assessed on all credit returns. Any credit will be subject to and conditioned the receipt of the returned items in new, unused, undamaged and saleable condition. All promos that no longer qualify will be reversed. Individual components purchased as part of a "package" may not be returned.

Seller may accept a credit return and waive the restocking or cancellation fee in the event Seller determines that the return was due to an error that was the fault of Seller. Returns for repair do not require an RGA, but should be registered using the TFT website at tft.com/support. The website includes Seller's repair terms and conditions and allows a return repair packing list and address label to be printed and progress of the repair to be tracked. If use of the website is not possible, information concerning repairs can be obtained by calling the Seller's Customer Care Team at 219-462-6161 or writing to Seller at Task Force Tips, 3701 Innovation Way, Valparaiso, IN 46383, USA. Repair returns may be subject to a repair estimate fee that will be waived if the repair is made.

All credit and repair returns are at Purchaser's or its customer's sole risk and expense, and any shipping charges on returned items shall be paid by Purchaser or its customer. No collect shipments will be accepted unless authorized in writing in advance by Seller.

THREAD ORDERING INFORMATION

All products will be delivered with National Hose threads (NH) unless otherwise specified at the time of order.

NH: National Hose threads per NFPA 1963. British Standard Pipe threads (BSP) with 55 degree Whitworth form are produced to ISO 228. Consult factory for further information.

THREAD CODE NOTATION: Special threads, such as NPSH, BSP, BIC, can be ordered on most products. **There is no additional charge for special threads.** We maintain a library of hundreds of special thread specifications. Specifications from individual cities with functionally identical threads are grouped together in thread codes. Specifications for threads not in our library will be needed at time of order. Please add 2 - 4 weeks to normal delivery time.

Task Force Tips products are available with many optional inlets. Optional inlet coupling styles are normally kept in stock. Consult factory for your specific requirements. For additional information on thread specifications and ordering, see page 211.

Please include TPI (threads per inch) and ODM (outside diameter) when placing order. Also provide name of city to assure special threads match your specification.

TABLE OF CONTENTS

NOZZLES

Handheld Nozzles and Shutoffs

Twister 1" Dual Flow	8
Twister 1.5" Dual Flow	9
Bubble Cup 1" Dual Flow Foam Aspirating	45
Bubble Cup 1.5" Dual Flow Foam Aspirating	46
QuadraCup Nozzle 1.5" Foam Aspirating Selectable	47
QuadraFog 1" DQ40 Selectable	26
QuadraFog 1" DQ60 Selectable	27
QuadraFog 1.5" Selectable	28
ThunderFog 1.5" Selectable	29
ThunderFog 2.5" Selectable	30
Metro 0 1.0" Fixed Flow	18
Metro 0 1.0" w/ Impulse Trigger Valve System	19
Metro 1 1.5" Fixed Flow	20-21
Metro 1 1.5" w/ Impulse Trigger Valve System	22
Metro 2 1.5" Fixed Flow	23
Metro 2 2.5" Fixed Flow	24-25
Ultimatic 1" Automatic	31
Ultimatic 1.5" Automatic	32
Ultimatic 1"-1.5" w/ Impulse Trigger Valve System	33
Mid-Matic 1.5" Automatic	34
Mid-Matic 1.5" Auto w/ Impulse Trigger Valve System	35
Mid-Force 1.5" Automatic Dual Pressure	36
Mid-Force 1.5" Automatic Dual Pressure w/ Impulse Trigger Valve System	37
Handline 1.5" Automatic	38
Handline 2.5" Automatic	39
Dual-Force 1.5" Automatic Dual Pressure	40
Dual-Force 2.5" Automatic Dual Pressure	41
CAFS-Force 1.5" Compressed Air Foam	48
CAFS Straight Tips	48
Valve Integral Tips Ball Valve	14
Vortex Nozzles	15-17
Ball Shutoffs 1"-2.5"	10-13
Playpipe 2.5" x 1.5"	13
Smooth Bore Inserts	13
Straight Tips	13
Stacked Tips (Handline) 1.5"	13
Stream Straightener 1.5"	13
Stream Straightener 2.5"	13

Specialty Nozzles

Dri-Chem & Dual Agent 1"-1.5"	42
-------------------------------	----

Monitor Nozzles

FlipTip 2 Series	61
Master Foam 250, 350, 500, 750 Self-Educting	53
Master Foam 1000, 1250, 1500, 2000 Self-Educting	53
Master Foam ER 1000, 1250, 1500, 2000 Self-Educting	54
Industrial ZN 2.5" Fixed Flow up to 750 gpm	198
Industrial ZM 2.5" Fixed Flow up to 1250 gpm	198
Industrial ZO 3.5" Fixed Flow up to 2000 gpm	198
Max-Force 2.5" Automatic Dual Pressure	60-61, 128
Max-Matic 2.5" Automatic	60-61, 128
Max-Flow 2.5" Fixed Flow	60-61, 128
Master Stream 1000 - 2.5", 3", 3.5" Selectable, Fixed	129
Master Stream 1000 With Flush, Automatic	129
Master Stream 1000 ER Fixed, Selectable, Automatic	130
Master Stream 1250S - 2.5", 3", 3.5" Automatic	129
Master Stream 1250 - 2.5", 3", 3.5" Automatic	129
Master Stream 1250 ER - 2.5", 3", 3.5", 4" Automatic	131
Master Stream 1250 With Flush, Fixed	132
Master Stream 1250 With Flush, Selectable	132
Master Stream 1250 With Flush, Automatic	132
Master Stream 1250 ER With Flush, Automatic	133
Master Stream 1500 - 2.5", 3", 3.5", 4" Automatic	134
Master Stream 1500 ER Automatic	134
Master Stream 2000 - 3", 3.5", 4" Automatic	135
Master Stream 2000 - ER Automatic	135
Master Stream 4 Stacked Tip	135

Tsunami Stacked Tip	166
Vortex 6 ER	166
Master Stream 4000 ER	166
Vortex 2 and Vortex 2 ER	136
Electric Remote 1.5" Fixed, Selectable, Automatic	126-127
CAFS Force 1 ER Automatic	127
METRO 1 ER Fixed Flow	127
Stacked Tips 2.5"	73

MONITORS

Blitzfire 2.5" Portable Monitor	56
Blitzfire Packages	56
Blitzfire OSC 2.5" Oscillating Portable Monitor	57
Blitzfire OSC Packages	57
Blitzfire-HE 2.5" Portable Monitor	58
Blitzfire-HE Packages	58
Blitzfire-HE OSC 2.5" Oscillating Portable Monitor	59
Blitzfire-HE OSC Packages	59
Blitzfire Accessories	60
Blitzfire Series Package Order Assistance	62
Blitzfire HE Series Package Order Assistance	63
Hemisphere Transportable Monitor & Accessories	64-68
Crossfire Stow-A-Way 800 2.5"-6" Deck/Portable	70
Crossfire Stow-A-Way 1250 3"-5" Deck/Portable	70
Crossfire Safe-Tak 1250 2.5"-6" Deck/Portable	70
Crossfire Packages	71, 174-176
Crossfire Monitor Accessories	72-73
Crossfire Package Ordering Assistance	74, 174-176
EF1 RC Electric Remote Monitor 200 GPM	140-142
Tornado LT RC Electric Remote 500 GPM	143-144
Tornado Monitor 500 GPM	147
Tornado RC Electric Remote Monitor 500 GPM	146
Hurricane Monitor 1250 GPM	148-149
Hurricane Dual Handwheel Monitor 1250 GPM	150
Hurricane RC Electric Remote Monitor 1250 GPM	151
Typhoon Monitor 1500 GPM	152-153
Typhoon RC Electric Remote Monitor 1500 GPM	154
Typhoon RC for Ladder & Platform 1500 GPM	155
Monsoon Monitor 1250 GPM	156-157
Monsoon 1250 GPM RC Electric Remote Monitor	158
Monsoon 1250 GPM RC for Ladder & Platform	159
Monsoon Monitor 2000 GPM	160-161
Monsoon 2000 GPM RC Electric Remote Monitor	162
Monsoon 2000 GPM RC for Ladder & Platform	163
Tsunami Monitor 8000 GPM	164
Tsunami RC Electric Remote Monitor 8000 GPM	165
Remote Control Accessories	170-173
Valve Kits	168
VUM Valve Under Monitor	178-185
Gateable Valve Kits	169
Extend-A-Gun Telescoping Deck Gun (manual)	137
Extend-A-Gun RC 3" (electric)	138
Extend-A-Gun RC 4" (electric)	139

INDUSTRIAL PRODUCTS

Master Foam Nozzle 2.5" Self-Educting (Foam)	53
Master Foam Nozzle 3.5" Self-Educting (Foam)	54
EF1 Monitor	140-142
Tornado Monitor	143-147
Hurricane Monitor	148-151
Typhoon Monitor	152-155
Monsoon Monitor	156-163
Tsunami Monitor	164-165
ATEX Approved Nozzles & Monitors	193-194
Protector Fixed Station Monitor	195
ZN Nozzle 2.5" Fixed Flow up to 750 gpm	198
ZM Nozzle 2.5" Fixed Flow up to 1250 gpm	198
ZO Nozzle 3.5" Fixed Flow up to 2000 gpm	198
Master Stream 4000 ER	166
IVUM Industrial Valve Under Monitor	199
Hydrant Under Monitor (HUM)	200-202
Booster	203-204
Booster OSC	203-205

Flanged Monitor 196
 Flanged OSC Monitor 196
 Tornado OSC 197
 Quick Connect Adapter 208
 Quick Connect Elbow 208
 Oasis Under Monitor 207
 Hemisphere Transportable Monitor 64-68
 Ultimate Industrial Package 206

FOAM EQUIPMENT

Bubble Cup 1" Foam Aspirating Nozzle 45
 Bubble Cup 1.5" Foam Aspirating Nozzle 46
 QuadraCup 1.5" Foam Aspirating Nozzle 47
 FoamJet Low Expansion Attachment 49-50
 FoamJet Multi-Expansion Attachment 51-52
 FoamJet Medium Expansion Nozzles 48
 Foam Eductors 60, 95 & 125 Series 43
 Foam Eductors 250 & 350 Series 44
 CAFS-Force 1.5" Compressed Air Foam Nozzle 48
 CAFS Straight Tips 48
 Master Foam 250, 250, 500, 750 Self-Educting 53
 Master Foam 1000, 1250, 1500, 2000 Self-Educting 53
 Master Foam ER 1000, 1250, 1500, 2000 Self-Educting 54
 Supply Hose 53

VALVES

LDH - Valves

Valve Under Monitor 178-185
 Ball Intake Valve 75-77
 Ball Intake Valve w/Parallel Shaft Drive 78-79
 Jumbo Ball Intake Valve 80-81
 Jumbo Ball Intake Valve w/ Parallel Shaft Drive 82-83
 Short Ball Intake Valve 84-85
 Short Ball Intake Valve no PRV 86-87
 Short Ball Intake Valve w/ Parallel Shaft Drive 88-89
 Short Ball Intake Valve w/ Parallel Shaft Drive no PRV 90-91
 Jumbo Short Ball Intake Valve 92-93
 Jumbo Short Ball Intake Valve no PRV 94-95
 Jumbo Short Ball Intake w/Parallel Shaft Drive 96-97
 Jumbo Short Ball Intake w/Parallel Shaft no PRV 98-99
 Jumbo Low Profile Ball Intake Valve 100-101
 Ball Intake Valve RC 186-187
 Jumbo Ball Intake Valve RC 188-189
 Jumbo Low Profile Ball Intake Valve RC 190-191
 LDH Water Thief 114
 LDH Siamese Water Thief 114
 3-Way Valved Manifold 115
 3-Way Siamese Manifold 115
 4-Way Valved Manifold 116
 4-Way Siamese Valved Manifold 116
 5-Way Valved Manifold 117
 LDH Gated Water Thief 117
 In-Line Valve Mobile/Loose or Apparatus/Fixed 120-121
 2.5" Gated Wye 105-106
 2.5" Gated Wye Slow Close 107
 2.5" Quarter Turn Hydrant Valve 102
 2.5" Hydrant Valve Slow Close 102
 Slow Close HI-Rise Valve 103
 2.5" Gated Siamese 106
 2.5" Gated Siamese Slow Close 108
 Jumbo Siamese w/Clapper 110-111
 Jumbo Wye w/o Clapper 112-113
 Oasis Hydrant Assist Valve 118-119
 LDH Gated Wye 109
 LDH Pressure Relief Valve 125

FORESTRY - Valves

Forestry In-Line Valves 104
 Forestry Tee 104
 Forestry Wye 104

HANDLINE - Valves

Water Thief 102
 Gated Wye 2.5" x 1.5" 104
 Standpipe Wye w/Gauge 2.5"/1.5" 104

SUCTION HOSE STRAINER

Barrel Strainer 122
 Low Level Strainer 122
 Floating Low Level Strainer 123

FLOW TEST

SHO-FLOW 1 55
 SHO-FLOW 2 55
 Line Pressure Gauges 1.5"-2.5" 55
 In-Line Pitot Pressure Gauges 1.5"-2.5" 55

ACCESSORIES

Smooth Bore 13
 Stacked Tips 13, 60
 Remote Control Accessories 170-173
 Tornado Light Kit 173
 Color-Coded Pistol Grip Kits 210
 Color-Coded Handle Covers 210
 Folding Pistol Grip 42

REPAIR KITS

Nozzle Repair Kits 209
 LDH Hardware Repair Kits 209
 Extend-A-Gun Repair Kits 209
 Integral Smooth Bore Replacement 209
 Lubricants 210
 Colored Handle Kits 210
 Colored Pistol Grip Kits 210
 Colored Pistol Grip Kits (Impulse Nozzles) 210
 Instruction Manual Information 210

TECHNICAL DATA

Ordering Information 3
 Thread Ordering Information 3
 Return Policy 3
 Thread Information 211
 Discharge & Reaction Chart 213
 Flow Information 214
 Hydrant Discharge 215
 Definition Of Common Pressure Terms 215
 Standards Referenced In The Catalog 215
 Metric Conversions 216
 Product Group Specifications 217-227
 Monitor Pressure Loss Chart 228
 Intake Valve Pressure Loss Chart 228
 Valve Under Monitor Pressure Loss Chart 228
 Part Number Index 229-234
 Warranty 234

Product Category Segmentation

Initial Attack Products pg 7	Apparatus Products pg 69	OEM Installed Products pg 124	Industrial Products pg 192
<p>DUAL GALLONAGE Twister Series</p> <p>FIXED FLOW Ball Valve Series Hand Held Accessories VIT Series VORTEX Series Metro 0, 1, 2 Series</p> <p>SELECTABLE QuadraFog Series ThunderFog Series</p> <p>AUTOMATIC Ultimatic Series Mid-Matic Series Mid-Force Series Handline Series Dual Force Series</p> <p>SPECIALTY Specialty Nozzles</p> <p>FOAM Eductor Series Bubble Cup Series QuadraCup Series CAFS Nozzles FoamJet Series Master Foam Series</p> <p>FLOW TEST SHO-FLOW Flow Test Accessories</p> <p>MONITOR NOZZLES Master Stream Nozzles FlipTip 2</p> <p>PORTABLE MONITORS Blitzfire Series Hemisphere Series</p>	<p>CROSSFIRE MONITOR</p> <p>BALL INTAKE VALVES</p> <p>HYDRANT AND HI-RISE VALVES</p> <p>FORESTRY TEE, IN-LINE AND GATED VALVES</p> <p>GATED WYES AND SIAMESE 2.5" (64mm) Gated Wyes and Siamese LDH Gated Wyes Jumbo Siamese and Gated Wyes</p> <p>WATER THIEFS AND MANIFOLDS</p> <p>OASIS HYDRANT ASSIST</p> <p>IN-LINE VALVES</p> <p>STRAINERS</p>	<p>PRESSURE RELIEF VALVES PRV's</p> <p>ELECTRIC REMOTE NOZZLES ER Nozzles MAX Series</p> <p>MASTER STREAM NOZZLES Master Stream Series</p> <p>VORTEX SERIES Vortex 2 and 2 ER</p> <p>EXTEND-A-GUNS Extend-A-Gun Extend-A-Gun RC</p> <p>MONITORS EF1 RC Tornado Series Hurricane Series Typhoon Series Monsoon Series Tsunami Series</p> <p>APPARATUS VALVES Valve and Gatable Valve Kits</p> <p>REMOTE CONTROL ACCESSORIES Remote Control Accessories</p> <p>EXTEND-A-GUN PACKAGES Crossfire and Hurricane Packages</p> <p>VALVE UNDER MONITOR VUM Series</p> <p>BIV REMOTE CONTROL RC BIV Series</p>	<p>ATEX APPROVED ATEX Approved RC Nozzles ATEX Monitors</p> <p>STATION MONITOR Protector Station Monitor Flanged Monitor Series Tornado OSC</p> <p>INDUSTRIAL Industrial Nozzles IVUM (Industrial Valve Under Monitor) Hydrant Under Monitor Booster and Booster OSC The Ultimate Combo Oasis Under Monitor</p>

RED Category Initial Attack Products

The RED category includes initial attack products such as fixed, selectable, and automatic handheld nozzles, foam injection and application equipment, related foam attachments, portable monitors, and accessories such as ball shutoffs, smooth bore tips, and specialty nozzles.

DUAL GALLONAGE

Twister Series	8-9
----------------------	-----

FIXED FLOW

Ball Valve Series	10-12
Hand Held Accessories	13
VIT (Valve Integral Tip) Series	14
VORTEX Series	15-17
Metro, 0, 1, 2 Series	18-25

SELECTABLE GALLONAGE

QuadraFog Series	26-28
ThunderFog Series	29-30

AUTOMATIC

Ultimatic Series	31-33
Mid-Matic Series	34-35
Mid-Force Series	36-37
Handline Series	38-39
Dual Force Series	40-41

SPECIALTY

Specialty Nozzles	42
-------------------------	----

FOAM

Eductor Series	43-44
Bubble Cup Series	45-46
QuadraCup Series	47
CAFS Nozzles	48
FoamJet Series	48-52
Master Foam Series	53-54

FLOW TEST

SHO-FLOW	55
Flow Test Accessories	55

MONITOR NOZZLES

Master Stream Nozzles FlipTip 2	60-61
---------------------------------------	-------

PORTABLE MONITORS

Blitzfire Series	56-60
Blitzfire Order Assistance	62-63
HEMISPHERE Series	64-68

1.0" (25mm) TWISTER® SERIES

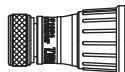
10 & 24 or 10 & 40 GPM (37 & 90 or 37 & 150 l/min)

Dual Gallonage

The 1.0" (25mm) Twister is a selectable, dual gallonage, combination pattern nozzle, available in 0.75" (19mm) or 1.0" (25mm) threads and is designed for simplicity and durability. The rubber bumper provides a positive grip and protects the front end. Twisting the shaper from the "off" position produces the following settings: low flow straight stream, low flow narrow fog, high flow straight stream, then high flow fog. The Twister, with its optional colored pistol grip and handle covers (NFPA 1901 (A.16.9.1), is a rugged, economical nozzle that will accept the FJ-MX-D FOAMJET multi-expansion foam aspirating attachment.

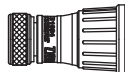
3/4" & 1.0" 10 and 24 GPM (19 and 25mm 37 and 90 l/min)

C1024
\$85.00
0.6 lb. (0.3kg)
4.00" (10.2cm)



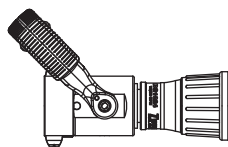
C1024 TWISTER TIP 3/4" GHT (19mm) - Dual gallonage nozzle with two flow settings of 10 and 24 gpm @ 100 psi (37 and 90 l/min @ 7 bar). All lightweight materials, hard coat anodized aluminum. This tip only design has a twist "off" position for break-and-extend operations. 3/4" GHT (19mm) rigid thread is standard.

D1024
\$85.00
0.6 lb. (0.3kg)
4.00" (10.2cm)



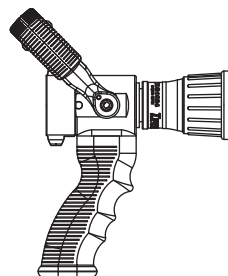
D1024 TWISTER TIP 1" NH (25mm) - Dual gallonage nozzle with two flow settings of 10 and 24 gpm @ 100 psi (37 and 90 l/min @ 7 bar). All lightweight materials, hard coat anodized aluminum. This tip only design has a twist "off" position for break-and-extend operations. 1" NH (25mm) rigid thread is standard.

DS1024
\$295.00
1.5 lb. (0.7kg)
6.25" (15.9cm)



DS1024 TWISTER NOZZLE 1" NH (25mm) - Dual gallonage nozzle with two flow settings of 10 and 24 gpm @ 100 psi (37 and 90 l/min @ 7 bar). All lightweight materials, hard coat anodized aluminum. Quick-change rear valve seat, stainless steel shut-off ball and a twist "off" position for positive shut off. Rocker lug 1" NH (25mm) swivel is standard.

DS1024P
\$295.00
1.9 lb. (0.9kg)
6.25" (15.9cm)



DS1024P TWISTER W/GRIP 1" NH (25mm) - Dual gallonage nozzle with two flow settings of 10 and 24 gpm @ 100 psi (37 and 90 l/min @ 7 bar). All lightweight materials, hard coat anodized aluminum. Quick-change rear valve seat, stainless steel shut-off ball and a twist "off" position for positive shut off. Pistol grip is mounted below the valve. Rocker lug 1" NH (25mm) swivel is standard.

Folding Pistol Grip Kits with NFPA color inserts are available. See page 42 for ordering information.

1.0" 10 and 40 GPM (25mm 37 and 150 l/min)

C1040
\$85.00
0.6 lb. (0.3kg)
4.00" (10.2cm)



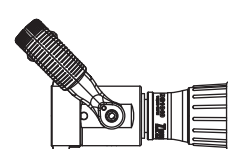
C1040 TWISTER TIP 3/4" GHT (19mm) - Dual gallonage nozzle with two flow settings of 10 and 40 gpm @ 100 psi (37 and 150 l/min @ 7 bar). All lightweight materials, hard coat anodized aluminum. This tip only design has a twist "off" position for break-and-extend operations. 3/4" GHT (19mm) rigid thread is standard.

D1040
\$85.00
0.6 lb. (0.3kg)
4.00" (10.2cm)



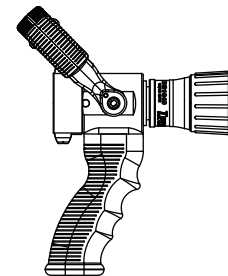
D1040 TWISTER TIP 1" NH (25mm) - Dual gallonage nozzle with two flow settings of 10 and 40 gpm @ 100 psi (37 and 150 l/min @ 7 bar). All lightweight materials, hard coat anodized aluminum. This tip only design has a twist "off" position for break-and-extend operations. 1" NH (25mm) rigid thread is standard.

DS1040
\$295.00
1.5 lb. (0.7kg)
6.25" (15.9cm)



DS1040 TWISTER NOZZLE 1" NH (25mm) - Dual gallonage nozzle with two flow settings of 10 and 40 gpm @ 100 psi (37 and 150 l/min @ 7 bar). All lightweight materials, hard coat anodized aluminum. Quick-change rear valve seat, stainless steel shut-off ball and a twist "off" position for positive shut off. Rocker lug 1" NH (25mm) swivel is standard.

DS1040P
\$295.00
1.9 lb. (0.9kg)
6.25" (15.9cm)



DS1040P TWISTER W/GRIP 1" NH (25mm) - Dual gallonage nozzle with two flow settings of 10 and 40 gpm @ 100 psi (37 and 150 l/min @ 7 bar). All lightweight materials, hard coat anodized aluminum. Quick-change rear valve seat, stainless steel shut-off ball and a twist "off" position for positive shut off. Pistol grip is mounted below the valve. Rocker lug 1" NH (25mm) swivel is standard.

Folding Pistol Grip Kits with NFPA color inserts are available. See page 42 for ordering information.

INITIAL ATTACK PRODUCTS

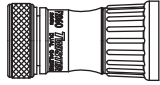
1.5" (38mm) TWISTER® SERIES

20 & 60 or 20 & 95 GPM (75 & 230 or 75 & 360 l/min)

Dual Gallonage

The 1.5" (38mm) Twister is a selectable, dual gallonage, combination pattern nozzle available in 1.5" (38mm) threads and is designed for simplicity and durability. The rubber bumper provides a positive grip and protects the fixed metal fog teeth. Twisting the shaper from the "off" position produces the following settings: low flow straight stream, low flow narrow fog, high flow straight stream, then high flow fog. The Twister, with its optional colored pistol grip and handle covers (NFPA 1901 (A.16.9.1)), is a rugged, economical nozzle that will accept the FJ-MX-F FOAMJET multi-expansion foam aspirating attachment.

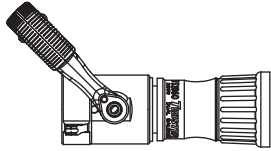
F2060
\$165.00
1.2 lb. (0.6kg)
5.25" (13.3cm)



1.5" 20 and 60 GPM (38mm 75 and 230 l/min)

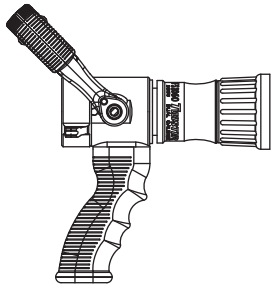
F2060 TWISTER TIP 1.5" NH (38mm) - Dual gallonage nozzle with two flow settings of 20 and 60 gpm @ 100 psi (75 and 230 l/min @ 7 bar). All lightweight materials, hard coat anodized aluminum. This tip only design has a twist "off" position for break-and-extend operations. 1.5" NH (38mm) rigid thread is standard.

FS2060
\$460.00
2.4 lb. (1.1kg)
7.37" (18.7cm)



FS2060 TWISTER NOZZLE 1.5" NH (38mm) - Dual gallonage nozzle with two flow settings of 20 and 60 gpm @ 100 psi (75 and 230 l/min @ 7 bar). All lightweight materials, hard coat anodized aluminum. Quick-change rear valve seat, stainless steel shut-off ball and a twist "off" position for positive shut off. Rocker lug 1.5" NH (38mm) swivel is standard.

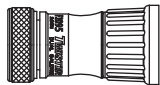
FS2060P
\$460.00
2.6 lb. (1.2kg)
7.37" (18.7cm)



FS2060P TWISTER W/GRIP 1.5" NH (38mm) - Dual gallonage nozzle with two flow settings of 20 and 60 gpm @ 100 psi (75 and 230 l/min @ 7 bar). All lightweight materials, hard coat anodized aluminum. Quick-change rear valve seat, stainless steel shut-off ball and a twist "off" position for positive shut off. Pistol grip is mounted below the valve. Rocker lug 1.5" NH (38mm) swivel is standard.

Folding Pistol Grip Kits with NFPA color inserts are available. See page 42 for ordering information.

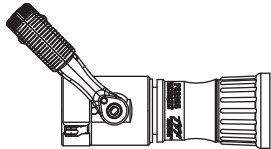
F2095
\$165.00
1.2 lb. (0.6kg)
5.25" (13.3cm)



1.5" 20 and 95 GPM (38mm 75 and 360 l/min)

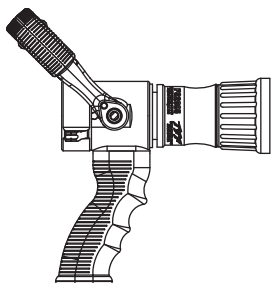
F2095 TWISTER TIP 1.5" NH (38mm) - Dual gallonage nozzle with two flow settings of 20 and 95 gpm @ 100 psi (75 and 360 l/min @ 7 bar). All lightweight materials, hard coat anodized aluminum. This tip only design has a twist "off" position for break-and-extend operations. 1.5" NH (38mm) rigid thread is standard.

FS2095
\$460.00
2.4 lb. (1.1kg)
7.37" (18.7cm)



FS2095 TWISTER NOZZLE 1.5" NH (38mm) - Dual gallonage nozzle with two flow settings of 20 and 95 gpm @ 100 psi (75 and 360 l/min @ 7 bar). All lightweight materials, hard coat anodized aluminum. Quick-change rear valve seat, stainless steel shut-off ball and a twist "off" position for positive shut off. Rocker lug 1.5" NH (38mm) swivel is standard.

FS2095P
\$460.00
2.6 lb. (1.2kg)
7.37" (18.7cm)



FS2095P TWISTER W/GRIP 1.5" NH (38mm) - Dual gallonage nozzle with two flow settings of 20 and 95 gpm @ 100 psi (75 and 360 l/min @ 7bar). All lightweight materials, hard coat anodized aluminum. Quick-change rear valve seat, stainless steel shut-off ball and a twist "off" position for positive shut off. Pistol grip is mounted below the valve. Rocker lug 1.5" NH (38mm) swivel is standard.

Folding Pistol Grip Kits with NFPA color inserts are available. See page 42 for ordering information.

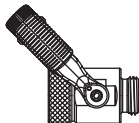
1.0" (25mm) & 1.5" (38mm) BALL VALVES

D75D
\$200.00
1.0 lb (0.5kg)
3.75" (9.6cm)



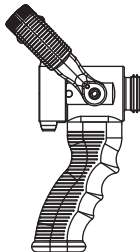
D75D - BALL VALVE 1.0" NH X 1.0" NH (25mm x 25mm) - Ball Valve with an unobstructed 3/4" (19mm) waterway. All lightweight materials, hard coat anodized aluminum. Quick-change rear valve seat and stainless steel shut-off ball. Optional color coded handle covers available. 1.0" NH (25mm) rocker lug swivel inlet, and 1.0" NH (25mm) male outlet standard.

D75DR
\$200.00
0.9 lb (0.4kg)
3.75" (9.6cm)



D75DR - RIGID BALL VALVE 1.0" NH X 1.0" NH (25mm x 25mm) - Ball Valve with an unobstructed 3/4" (19mm) waterway. All lightweight materials, hard coat anodized aluminum. Quick-change rear valve seat and stainless steel shut-off ball. Optional color coded handle covers available. 1.0" NH (25mm) rigid base inlet, and 1.0" NH (25mm) male outlet standard.

D75DP
\$200.00
1.3 lb (0.6kg)
3.75" (9.6cm)



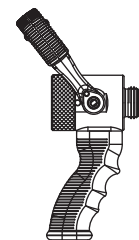
D75DP - VALVE W/GRIP 1.0" NH X 1.0" NH (25mm x 25mm) - Ball Valve with an unobstructed 3/4" (19mm) waterway. All lightweight materials, hard coat anodized aluminum. Quick-change rear valve seat and stainless steel shut-off ball. Pistol grip is mounted below the valve. Optional color coded pistol grip and handle covers available. 1.0" NH (25mm) rocker lug swivel inlet and 1.0" NH (25mm) male outlet standard.

D100D
\$265.00
1.4 lb (0.6kg)
3.80" (9.7cm)



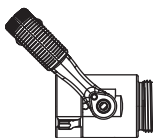
D100D - BALL VALVE 1.0" NH X 1.0" NH (25mm x 25mm) - Ball Valve with an unobstructed 1.0" (25mm) waterway. All lightweight materials, hard coat anodized aluminum. Changeable rear valve seat and stainless steel shut-off ball. Optional color coded handle covers available. 1.0" NH (25mm) knurled swivel inlet, and 1.0" NH (25mm) male outlet standard.

D100DP
\$265.00
1.7 lb (0.8kg)
3.80" (9.7cm)



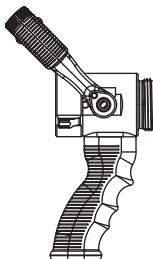
D100DP - VALVE W/GRIP 1.0" NH X 1.0" NH (25mm x 25mm) - Ball Valve with an unobstructed 1.0" (25mm) waterway. All lightweight materials, hard coat anodized aluminum. Changeable rear valve seat and stainless steel shut-off ball. Pistol grip is mounted below the valve. Optional color coded pistol grip and handle covers available. 1.0" NH (25mm) knurled swivel inlet, and 1.0" NH (25mm) male outlet standard.

F100F
\$315.00
1.5 lb (0.7kg)
3.75" (9.6cm)



F100F - BALL VALVE 1.5" NH X 1.5" NH (38mm x 38mm) - Ball Valve with an unobstructed 1.0" (25mm) waterway. All lightweight materials, hard coat anodized aluminum. Quick-change rear valve seat and stainless steel shut-off ball. Optional color coded handle covers available. 1.5" NH (38mm) rocker lug swivel inlet, and 1.5" NH (38mm) male outlet standard.

F100FP
\$315.00
1.7 lb (0.8kg)
3.75" (9.6cm)

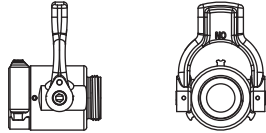


F100FP - VALVE W/GRIP 1.5" NH x 1.5" NH (38mm x 38mm) - Ball Valve with an unobstructed 1.0" waterway. All lightweight materials, hard coat anodized aluminum. Quick-change rear valve seat and stainless steel shut-off ball. Pistol grip is mounted below the valve. Optional color coded pistol grip and handle covers available. 1.5" NH (38mm) rocker lug swivel inlet, and 1.5" NH (38mm) male outlet standard.

Folding Pistol Grip Kits with NFPA color inserts are available. See page 42 for ordering information.

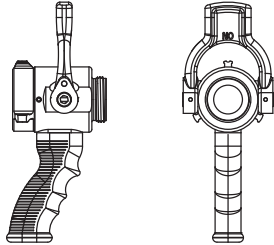
1.5" (38mm) & 2.5" (65mm) BALL VALVES

F125F
\$350.00
 1.5 lb (0.7kg)
 3.75" (9.6cm)



F125F - BALL VALVE 1.5" NH X 1.5" NH (38mm x 38mm) - Ball Valve with a handle designed for tight hose lays and an unobstructed 1.25" (32mm) waterway. All lightweight materials, hard coat anodized aluminum. Quick-change rear valve seat and stainless steel shut-off ball. 1.5" NH (38mm) rocker lug swivel inlet, and 1.5" NH (38mm) male outlet standard.

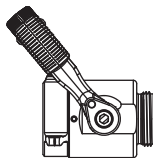
F125FP
\$350.00
 1.7 lb (0.8kg)
 3.75" (9.6cm)



F125FP - VALVE W/GRIP 1.5" NH x 1.5" NH (38mm x 38mm) - Ball Valve with a handle designed for tight hose lays and an unobstructed 1.25" (32mm) waterway. All lightweight materials, hard coat anodized aluminum. Quick-change rear valve seat and stainless steel shut-off ball. Pistol grip is mounted below the valve. Optional color coded pistol grip available. 1.5" NH (38mm) rocker lug swivel inlet, and 1.5" NH (38mm) male outlet standard.

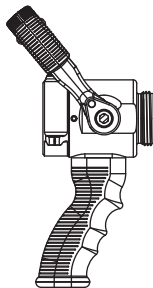
Folding Pistol Grip Kits with NFPA color inserts are available.
 See page 42 for ordering information.

F140F
\$375.00
 2.2 lb (1.0kg)
 4.00" (10.2cm)



F140F - BALL VALVE 1.5" NH x 1.5" NH (38mm x 38mm) - Ball Valve with an unobstructed 1-3/8" (35mm) waterway. All lightweight materials, hard coat anodized aluminum. Quick-change rear valve seat and stainless steel shut-off ball. Optional color coded handle covers available. 1.5" NH (38mm) rocker lug swivel inlet, and 1.5" NH (38mm) male outlet standard..

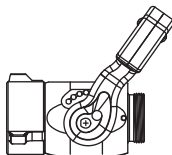
F140FP
\$375.00
 2.4 lb (1.1kg)
 4.00" (10.2cm)



F140FP - VALVE W/GRIP 1.5" NH X 1.5" NH (38mm x 38mm) - Ball Valve with an unobstructed 1-3/8" (35mm) waterway. All lightweight materials, hard coat anodized aluminum. Quick-change rear valve seat and stainless steel shut-off ball. Pistol grip is mounted below the valve. Optional color coded pistol grip and handle covers available. 1.5" NH (38mm) rocker lug swivel inlet, and 1.5" NH (38mm) male outlet standard.

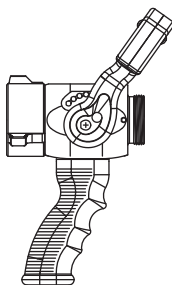
Folding Pistol Grip Kits with NFPA color inserts are available.
 See page 42 for ordering information.

H-VO
\$425.00
 2.6 lb (1.3kg)
 5.25" (13.3cm)



H-VO DETENT VALVE 1.5" NH X 1.5" NH (38mm x 38mm) - Separate ball-type shutoff valve with a 1-3/8" (35mm) waterway for use with tip only nozzles. Includes six detent flow positions. Colored handle covers available. 1.5" (38mm) NH rocker lug full-time swivel coupling, and 1.5" (38mm) NH male outlet standard. All lightweight materials. **Accepts F140SBI smooth bore insert kit found on page 13.**

H-VOI
\$425.00
 3.3 lb (1.3kg)
 5.25" (13.3cm)

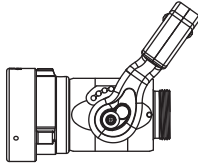


H-VOI DETENT VALVE W/GRIP 1.5" NH x 1.5" NH (38mm x 38mm) - Separate ball-type shutoff valve with a 1-3/8" (35mm) waterway and a built-in pistol grip mounted below the valve body for use with tip only nozzles. Six detent flow positions, optional colored pistol grip and handle covers, 1.5" (38mm) NH rocker lug full-time swivel coupling, and 1.5" (38mm) NH male outlet standard. All lightweight materials. **Accepts F140SBI smooth bore insert kit found on page 13.**

Folding Pistol Grip Kits with NFPA color inserts are available.
 See page 42 for ordering information.

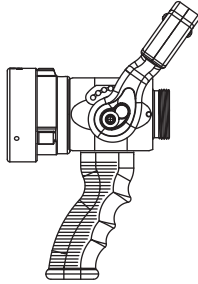
2.5" (64mm) BALL VALVES

H-2VO
\$500.00
2.6 lb (1.3kg)
5.25" (13.3cm)



H-2VO DETENT VALVE 2.5" NH X 1.5" NH (64mm x 38mm) - Separate ball-type shutoff valve with a 1-3/8" (35mm) waterway for use with tip only nozzles. Includes six detent flow positions. Colored handle covers available. 2.5" (64mm) NH rocker lug full-time swivel coupling, and 1.5" (38mm) NH male outlet standard. All lightweight materials. **Accepts F140SBI smooth bore insert kit found on page 13.**

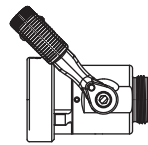
H-2VOI
\$500.00
3.3 lb (1.3kg)
5.25" (13.3cm)



H-2VOI DETENT VALVE W/GRIP 2.5" NH x 1.5" NH (64mm x 38mm) - Separate ball-type shutoff valve with a 1-3/8" (35mm) waterway and a built-in pistol grip mounted below the valve body for use with tip only nozzles. Six detent flow positions, optional colored pistol grip and handle covers, 2.5" (64mm) NH rocker lug full-time swivel coupling, and 1.5" (38mm) NH male outlet standard. All lightweight materials. **Accepts F140SBI smooth bore insert kit found on page 13.**

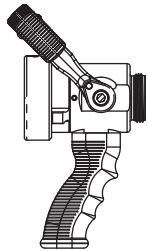
Folding Pistol Grip Kits with NFPA color inserts are available. See page 42 for ordering information.

J140F
\$450.00
2.7 lb (1.2kg)
5.00" (12.7cm)



J140F - BALL VALVE 2.5" NH X 1.5" NH (64mm x 38mm) - Ball Valve with an unobstructed 1-3/8" (35mm) waterway. All lightweight materials, hard coat anodized aluminum. Quick-change rear valve seat and stainless steel shut-off ball. Rocker lug 2.5" NH (64mm) full-time swivel inlet, and 1.5" NH (38mm) male outlet standard.

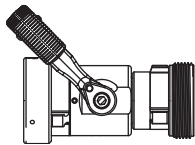
J140FP
\$450.00
2.9 lb (1.3kg)
5.00" (12.7cm)



J140FP - VALVE W/GRIP 2.5" NH X 1.5" NH (64mm x 38mm) - Ball Valve with an unobstructed 1-3/8" (35mm) waterway. All lightweight materials, hard coat anodized aluminum. Quick-change rear valve seat and stainless steel shut-off ball. Pistol grip is mounted below the valve. Optional color coded pistol grip and handle covers available. Rocker lug 2.5" NH (64mm) full-time swivel inlet, and 1.5" NH (38mm) male outlet standard.

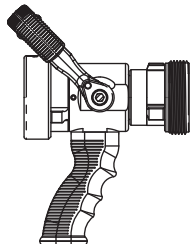
Folding Pistol Grip Kits with NFPA color inserts are available. See page 42 for ordering information.

J140J
\$600.00
3.4 lb (1.5kg)
7.18" (18.3cm)



J140J - BALL VALVE 2.5" NH X 2.5" NH (64mm x 64mm) - Ball Valve with an unobstructed 1-3/8" (35mm) waterway. All lightweight materials, hard coat anodized aluminum. Quick-change rear valve seat and stainless steel shut-off ball. Rocker lug 2.5" NH (64mm) full-time swivel inlet, and 2.5" NH (64mm) male outlet standard.

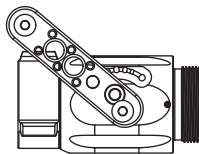
J140JP
\$600.00
3.7 lb (1.7kg)
7.18" (18.3cm)



J140JP - VALVE W/GRIP 2.5" NH X 2.5" NH (65mm x 65mm) - Ball Valve with an unobstructed 1-3/8" (35mm) waterway. All lightweight materials, hard coat anodized aluminum. Quick-change rear valve seat and stainless steel shut-off ball. Pistol grip is mounted below the valve. Optional color coded pistol grip and handle covers available. Rocker lug 2.5" (64mm) NH full-time swivel inlet, 2.5" (64mm) NH male outlet is standard.

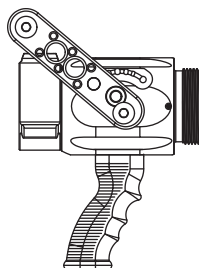
Folding Pistol Grip Kits with NFPA color inserts are available. See page 42 for ordering information.

H-3VONJ-NJ
\$765.00
5.7 lb (2.6kg)
7.18" (19.8cm)



H-3VONJ-NJ DETENT VALVE 2.5"NH x 2.5"NH (64mm x 64mm) - Separate ball-type shutoff valve with 2" (50mm) waterway for use with tip only nozzles. Includes six detent flow positions, 2.5" (64mm) NH rocker lug full-time swivel coupling, and 2.5" (64mm) NH male outlet standard. All lightweight materials.

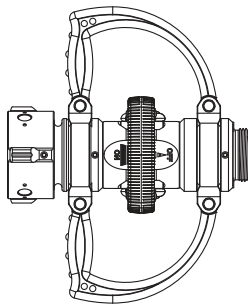
H-3VOINJ-NJ
\$765.00
5.9 lb (2.7kg)
7.18" (19.8cm)



H-3VOINJ-NJ DETENT VALVE W/GRIP 2.5"NH x 2.5"NH (64mm x 64mm) - Separate ball-type shutoff valve with 2" (50mm) waterway and a built-in pistol grip mounted below the valve body for use with tip only nozzles. Includes six detent flow positions. 2.5" (64mm) NH rocker lug full-time swivel coupling, and 2.5" (64mm) NH male outlet standard. All lightweight materials.

Folding Pistol Grip Kits with NFPA color inserts are available. See page 42 for ordering information.

H-2VPP
\$925.00
 6.1 lb (2.8kg)
 9.37" (23.9cm)

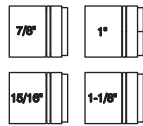


H-2VPP - PLAYPIPE W/VALVE 2.5" NH F X 1.5" NH M - (64mm x 38mm) Valved playpipe with 6 detent flow positions, ball-type shutoff, and optional color coded handle covers. Rubber-coated, easy grip handles are designed to reduce fatigue. 2.5" (64mm) NH rocker lug full-time swivel inlet coupling, 1.5" (38mm) NH male outlet is standard. Use with FS-3STACK stack tip set for compliance with NFPA 1901 equipment requirements.

H-2PP
 (not shown)
\$620.00
 5.1 lb (2.3kg)
 9.00" (23.9cm)

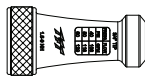
H-2PP - PLAYPIPE 2.5" NH F X 1.5" NH M (64mm x 38mm) (not shown) - Playpipe for use with hose coupled 2.5" (64mm). Rubber-coated, easy-grip handles are designed to reduce fatigue. No shutoff valve. Must be used with a nozzle with a shutoff valve. 2.5" (64mm) NH rocker lug full-time swivel inlet coupling and 1.5" (38mm) NH male outlet are standard.

F140SBI
\$70.00
 0.2 lb (0.1kg)
 1.56" (4.0cm)



F140SBI - SMOOTH BORE INSERT KIT - a compact way to combine a smooth bore, shut off, and fog nozzle. TFT has reduced the weight and length of the total assembly by placing the smooth bore nozzle inside the actual ball valve. Comes standard with 7/8", 15/16", 1" and 1-1/8" (22mm, 24mm, 25mm and 28mm) smooth bore inserts. The changeover from one size to another requires no tools. Simply slide the tip out the BACK of the valve and slide in the new size. Fits H-VO, H-VOI, H-2VO, H-2VOI, H-VIT, H-VITG, H-2VIT, H-2VITG, and H-2VPPIT.

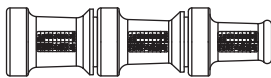
SEE CHART
\$110.00
 0.4-0.7 lb
 (0.2-0.3kg)
 4-3/16"- 5"
 (10.6-12.7cm)



FSS - STRAIGHT TIP - with smooth inside taper. 1.5" NH (38mm) thread is standard. *Please specify model # and orifice when ordering. Inlet thread size, tip size, and pressure / flow charts in both US customary and SI units are laser engraved.

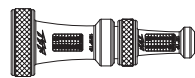
Model #	ORIFICE	Model #	ORIFICE	Model #	ORIFICE
FSS5	1/2" (12mm)	FSS8	7/8" (22mm)	FSS3	1-1/16 (27mm)
FSS6	5/8" (16mm)	FSS12	15/16" (24mm)	FSS10	1-1/8" (28mm)
FSS7	3/4" (19mm)	FSS9	1" (25mm)	FSS4	1-3/16"(30mm)
				FSS11	1-1/4" (32mm)

FS-3STACK
\$175.00
 1.3 lb (0.6kg)
 8.50" (26.7cm)



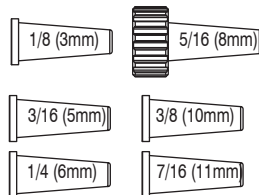
FS-3STACK - NFPA STACKED TIPS 1.5" (38mm) INLET - These lightweight tips are hard coat anodized, and have pressure/flow charts laser engraved on each tip. Orifice openings are 1-1/4, 1-1/8", and 1" (32mm, 28mm and 25mm). Use with valved playpipe H-2VPP for compliance with NFPA 1901 equipment requirements. Each tip is threaded 1.5" NH (38mm).

FSNYSTACK
\$145.00
 0.8 lb (0.4kg)
 6.62" (16.9cm)



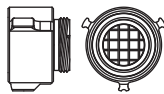
FSNYSTACK - NEW YORK STACK TIP - 1.5" NH INLET - 15/16" (24mm) and 1/2" (12mm) Dual stacked tips. Base tip has a 15/16" (24mm) bore with 1.5" (38mm) NH female thread inlet. Top tip has a 1/2" (13mm) bore with male threads. Base tip outlet has female threads for durability. Easy to read pressure/flow charts are laser engraved. 1.5" NH (38mm) inlet thread is standard.

DSB
\$40.00
 0.4 lb (0.2kg)
 3.37" (8.6cm)



DSB - 1" NH SMOOTH BORE SET (25mm) - 1" (25mm) smooth bore insert "Six Pack" contains 6 smooth bore inserts (1/8", 3/16", 1/4", 5/16", 3/8", & 7/16" orifice sizes) (3, 5, 6, 8, 10 & 11mm) and an NH threaded coupling with gasket. The Six Pack allows you to change smooth bore orifice sizes by simply removing and replacing a rubber gasket from a hard coat anodized aluminum coupling. There are 6 different orifice sizes included with each order. These inserts can be easily interchanged depending on the situation. The inserts are made from a lightweight and durable black nylon. 1" NH (25mm) thread is standard.

H-GG
\$105.00
 0.8 lb (0.3kg)
 2.20" (5.6cm)



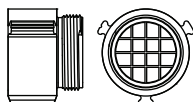
H-GG IN LINE GASKET GRABBER - 1.5" NH X 1.5" NH (38mm x 38mm) - Hard coat anodized aluminum body with stainless steel "Gasket Grabber". Providing debris protection for any item with a 1.5" NH (38mm) inlet.

H-SS
\$105.00
 0.6 lb - 1.87"
 (0.3kg - 4.8cm)



H-SS 1.5" STREAM STRAIGHTENER - 1.5" NH F X 1.5" NH M (38mm x 38mm) - Straightens streams to provide greater reach with less turbulence.

H-SS-NJ
\$125.00
 1.1 lb - 3.05"
 (0.5kg - 7.8cm)



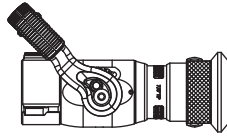
H-SS-NJ STREAM STRAIGHTENER - 2.5" NH F X 2.5" NH M (64mm x 64mm) - Straightens streams to provide greater reach with less turbulence.

TFT's VIT (Valve Integral Tip) Ball Valve series is designed to be the most rugged valve/smooth bore tip combination available while still maintaining a competitively low price. By using high strength materials, this unique TFT valve/tip combination provides the maximum amount of resistance to wear and corrosion while offering complete fire streams management flexibility. Designed to provide maximum flow, stream quality, and versatility when coupled with a high flowing combination nozzle, the VIT series can also be used as a smooth bore nozzle. A thread protector covers the 1.5" NH (38mm) outlet threads when VIT is being used as a smooth bore nozzle, and slides back to a hold position to allow for easy attachment of a nozzle or hose line. Designed for 1.5", 1.75", 2", 2.5", and 3" (38mm, 52mm, 65mm, and 75mm) attack lines, the VIT series is engineered to meet your high flow needs.

SAMPLE PART NUMBER

Specify actual number from chart below.

HVIT11
\$525.00
 3.8 lb (1.7kg)
 9.26" (23.5cm)

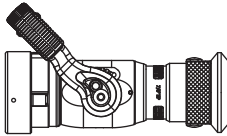


HVIT1* – VALVE INTEGRAL TIP NOZZLE 1.5" NH (38mm) – Separate ball-type shutoff valve for use with tip only nozzles. Use the valve as a smooth bore at the selected outlet diameter. Six detent flow positions. Optional colored handle covers (NFPA 1901 A.16.9.1) available. 1.5" NH (38mm) rocker lug full-time swivel inlet coupling and 1.5" NH (38mm) male outlet standard. All lightweight materials are used.

SAMPLE PART NUMBER

Specify actual number from chart below.

HVIT21
\$600.00
 4.2 lb (1.9kg)
 9.41" (23.9cm)



HVIT2* – VALVE INTEGRAL TIP NOZZLE 2.5" NH (64mm) – Separate ball-type shutoff valve for use with tip only nozzles. Use the valve as a smooth bore at the selected outlet diameter. Six detent flow positions. Optional colored handle covers (NFPA 1901 A.16.9.1) available. 2.5" NH (64mm) rocker lug full-time swivel inlet coupling and 1.5" NH (38mm) male outlet standard. All lightweight materials are used.

Choose desired outlet diameter and coupling size from chart.

For assistance in ordering, please call 1-800-348-2686 to speak with a nozzle specialist.

HVIT

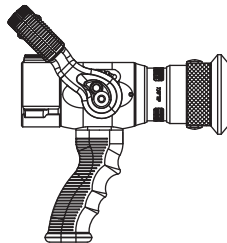
For example Model **HVIT22** is 2.5" NH female thread inlet with a 15/16" diameter outlet nozzle.

WITHOUT PISTOL GRIP		SMOOTH BORE OUTLET DIAMETER							
		7/8"	15/16"	1.0"	1-1/16"	1-1/8"	1-3/16"	1-1/4"	1-3/8"
		22mm	24mm	25mm	27mm	28mm	30mm	32mm	35mm
THREADED INLET DIAMETER	1.5" NH (38mm)	11	12	13	18	14	17	15	16
	2.5" NH (65mm)	21	22	23	28	24	27	25	26

SAMPLE PART NUMBER

Specify actual number from chart below.

HVITG11
\$525.00
 4.1 lb (1.8kg)
 9.26" (23.5cm)



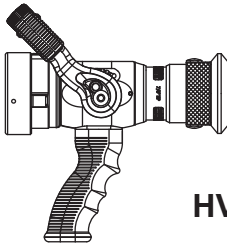
HVITG1* – VALVE INTEGRAL TIP NOZZLE W/GRIP 1.5" NH (38mm) – Separate ball-type shutoff valve with built-in pistol grip mounted below valve body for use with tip only nozzles. Use the valve as a smooth bore at the selected outlet diameter. Six detent flow positions. Optional colored pistol grip and handle covers (NFPA 1901 A.16.9.1) available. 1.5" NH (38mm) rocker lug full-time swivel inlet coupling and 1.5" NH (38mm) male outlet standard. All lightweight materials are used.

Folding Pistol Grip Kits with NFPA color inserts are available. See page 42 for ordering information.

SAMPLE PART NUMBER

Specify actual number from chart below.

HVITG21-01
\$600.00
 4.5 lb (2.0kg)
 9.41" (23.9cm)



HVITG2*-01 – VALVE INTEGRAL TIP NOZZLE W/GRIP 2.5" NH (64mm) – Separate ball-type shutoff valve with built-in pistol grip mounted below valve body for use with tip only nozzles. Use the valve as a smooth bore at the selected outlet diameter. Six detent flow positions. Optional colored pistol grip and handle covers (NFPA 1901 A.16.9.1) available. 2.5" NH (64mm) rocker lug full-time swivel inlet coupling and 1.5" NH (38mm) male outlet standard. All lightweight materials are used.

HVITG

Model **HVITG14** is a 1.5" NH female thread inlet, 1-1/8" diameter outlet nozzle with a pistol grip.

WITH PISTOL GRIP		SMOOTH BORE OUTLET DIAMETER							
		7/8"	15/16"	1.0"	1-1/16"	1-1/8"	1-3/16"	1-1/4"	1-3/8"
		22mm	24mm	25mm	27mm	28mm	30mm	32mm	35mm
THREADED INLET DIAMETER	1.5" NH (38mm)	11	12	13	18	14	17	15	16
	2.5" NH (64mm)	21	22	23	28	24	27	25	26

Choose desired outlet diameter and coupling size from chart.

For assistance in ordering, please call 1-800-348-2686 to speak with a nozzle specialist.

See page 13 for additional or replacement smooth bore outlets.

Folding Pistol Grip Kits with NFPA color inserts are available. See page 42 for ordering information.

VORTEX® NOZZLES

A SMOOTH BORE WITH A TWIST



The TFT VORTEX enhances the use of a smooth bore nozzle. With just a simple twist, the VORTEX moves from a hard hitting straight stream to a uniformly dispersed pattern without gating the valve and reducing the fire flow. Available in a tip only, with valve or with valve and grip. A complete range of smooth bore tips are offered separately.

TWO STREAM PATTERNS



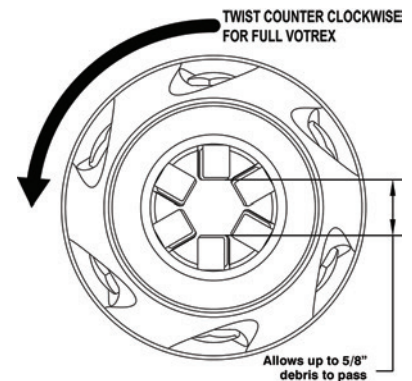
With a simple twist of the index ring, the VORTEX moves from a hard hitting straight stream to a uniformly dispersed pattern for protection, hydraulic ventilation or salvage/overhaul.

ANY SMOOTH BORE



The VORTEX can be paired with any smooth bore up to 1 1/4" (32mm) to use on a 1 1/2" (38mm) up to a 2.5" (64mm) hose line. Once the tip is installed onto the VORTEX, you're ready to operate the nozzle.

NO FLOW REDUCTION



Create a dispersed pattern without gating your valve and reducing your fire flow. In addition, VORTEX vanes are less obtrusive than a typical stream straightener, resulting in virtually no friction loss.

For additional information on the VORTEX Series of nozzles visit TFT.com

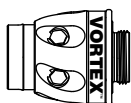
VORTEX® SERIES

The TFT Vortex enhances the use of a smooth bore nozzle. It is intended for installation behind a smooth bore nozzle for use with water or fire fighting foam solutions. Six short vanes in the bore of the Vortex reduce turbulence in straight stream. Twisting the Stream Shaper from "STREAM" to "VORTEX" causes the vanes to pivot proportionally. This induces a gentle spin in the water to create a uniformly dispersed Vortex stream pattern. The vanes are less obtrusive than a typical stream straightener, resulting in virtually no friction loss regardless of which stream pattern is selected. The vanes also allow large debris to easily pass through the Vortex.

The Shaper includes a tactile detent at the straight stream and full Vortex dispersed positions as a secure confirmation that the desired setting has been achieved. As seen from the operating position behind the nozzle, twisting the stream shaper clockwise moves the shaper to the straight stream position. Twisting the shaper counterclockwise will result in an increasingly wider pattern until reaching the full Vortex pattern.

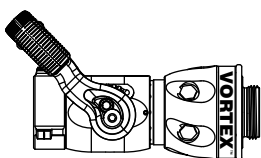
Pivoting the vanes has virtually no effect on the flow area or ability to pass debris up to 5/8" (16mm). As a result, discharge pressure and flow rate remain constant regardless of stream pattern. The nozzle reaction is greatest when the shaper is in the straight stream position.

SVFT
\$560.00
 1.9 lb (0.9kg)
 4.55" (11.5cm)



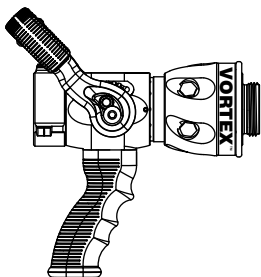
SVFT – VORTEX TIP ONLY 1.5"NHF X 1.5"NHM (38mm) – Integrated 1 3/8" (35mm) water way. Any smaller sized smooth bore tip may be attached to the male outlet threads. 1.5" NH (38mm) rigid base inlet and 1.5" NH (38mm) male outlet standard. Lightweight hard coat anodized aluminum for maximum resistance to corrosion and wear.

SVFV
\$960.00
 3.8 lb (1.7kg)
 8.42" (21.4cm)



SVFV – VORTEX W/ DETENT VALVE 1.5"NHF X 1.5"NHM (38mm) – Integrated 1 3/8" (35mm) water way. Any smaller sized smooth bore tip may be attached to the male outlet threads. Includes ball-type shutoff valve with six detent flow positions. Colored handle covers available. 1.5" NH (38mm) rocker lug non-full-time swivel inlet coupling and 1.5" NH (38mm) male outlet standard. Lightweight hard coat anodized aluminum for maximum resistance to corrosion and wear.

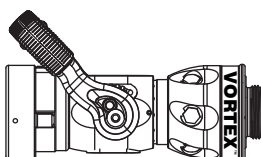
SVFG
\$960.00
 4.1 lb (1.9kg)
 8.42" (21.2cm)



SVFG – VORTEX W/ DETENT VALVE & GRIP 1.5"NHF X 1.5"NHM (38mm) – Integrated 1 3/8" (35mm) water way. Any smaller sized smooth bore tip may be attached to the male outlet threads. Includes ball-type shutoff valve with built-in pistol grip mounted below valve body. Six detent flow positions. Colored pistol grip and handle covers available. 1.5" NH (38mm) rocker lug non-full-time swivel inlet coupling and 1.5" NH (38mm) male outlet standard. Lightweight hard coat anodized aluminum for maximum resistance to corrosion and wear.

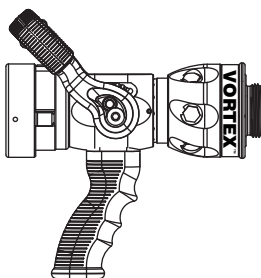
Folding Pistol Grip Kits with NFPA color inserts are available.
 See page 42 for ordering information.

SVFV-NJ
\$1035.00
 4.2 lb (1.9kg)
 8.57" (21.8cm)



SVFV-NJ – VORTEX W/ DETENT VALVE 2.5"NHF (64mm) X 1.5"NHM (38mm) – Integrated 1 3/8" (35mm) water way. Any smaller sized smooth bore tip may be attached to the male outlet threads. Includes ball-type shutoff valve with six detent flow positions. Colored handle covers available. 2.5" NH (64mm) rocker lug full-time swivel inlet coupling and 1.5" NH (38mm) male outlet standard. Lightweight hard coat anodized aluminum for maximum resistance to corrosion and wear.

SVFG-NJ
\$1035.00
 4.5 lb (2.1kg)
 8.57" (21.8cm)



SVFG-NJ – VORTEX W/ DETENT VALVE & GRIP 2.5" (64mm) NHF X 1.5"NHM (38mm) – Integrated 1 3/8" (35mm) water way. Any smaller sized smooth bore tip may be attached to the male outlet threads. Includes ball-type shutoff valve with built-in pistol grip mounted below valve body. Six detent flow positions. Colored pistol grip and handle covers available. 2.5" NH (64mm) rocker lug full-time swivel inlet coupling and 1.5" NH (38mm) male outlet standard. Lightweight hard coat anodized aluminum for maximum resistance to corrosion and wear.

Folding Pistol Grip Kits with NFPA color inserts are available.
 See page 42 for ordering information.

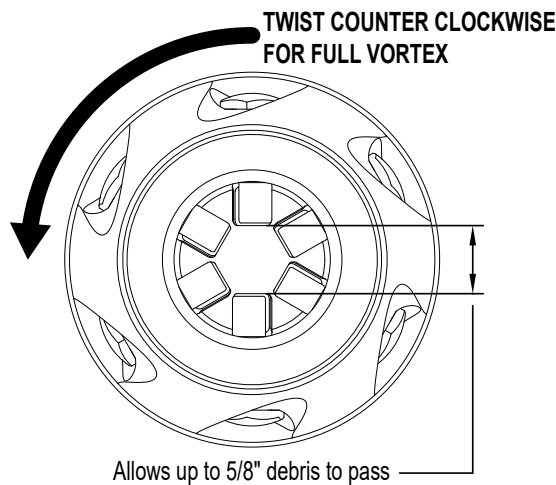
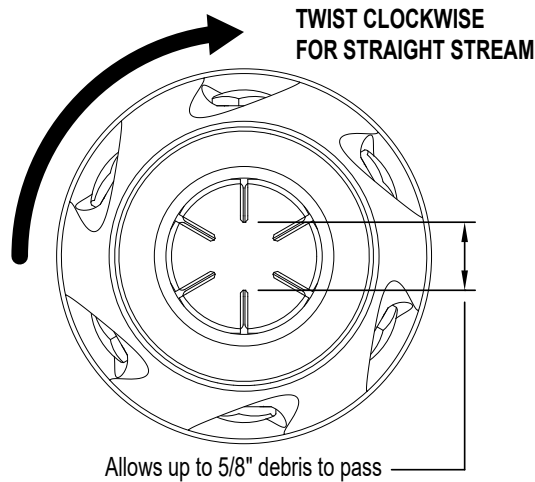
These are **OPTIONAL** short smooth bore tips for the VORTEX. **Any TFT smooth bore tip** can be used in combination with the VORTEX. Please see page 13 for standard smooth bore options.

SEE CHART



FF15* - STRAIGHT TIP - with smooth inside taper. 1.5" NH (38mm) thread is standard.
 *Please specify model # and orifice when ordering.

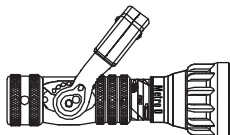
Model #	ORIFICE		Weight	Length
FF151	1/2" (12mm)	\$85.00	0.22 lb (0.10 kg)	3.00" (76mm)
FF152	5/8" (16mm)	\$85.00	0.22 lb (0.10 kg)	3.00" (76mm)
FF157	7/8" (22mm)	\$85.00	0.22 lb (0.10 kg)	3.00" (76mm)
FF153	15/16" (24mm)	\$85.00	0.20 lb (0.09 kg)	2.75" (69mm)
FF154	1" (25mm)	\$85.00	0.17 lb (0.08 kg)	2.50" (65mm)
FF155	1-1/8" (28mm)	\$85.00	0.14 lb (0.06 kg)	2.50" (65mm)
FF156	1-3/16"(30mm)	\$85.00	0.13 lb (0.06 kg)	2.50" (65mm)



Pivoting the vanes has virtually no effect on the flow area or ability to pass debris up to 5/8" (1.5mm). As a result, discharge pressure and flow rate remain constant regardless of stream pattern. The nozzle reaction is greatest when the shaper is in the straight stream position.

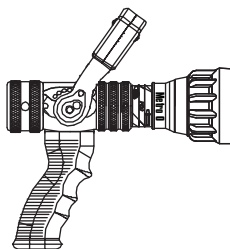
METRO 0 Series - Fixed gallonage nozzle **delivered with specified flow disc installed**. The Metro 0 features flush without shutting down, detent flow control, "Gasket Grabber" inlet screen, patented TFT slide valve, and the rugged dependability you have come to expect from Task Force Tips. The Metro 0 models are available with stainless steel slide valve, and optional colored pistol grip and handle covers (NFPA 1901 A.16.9.1). The Metro 0 accepts the FJ-U, FJ-LX-U low-expansion or FJ-UMX multi-expansion foam attachments.

ME0-***
\$825.00
 2.1 lb (1.1kg)
 9.00" (22.9cm)



ME0-*** - METRO 0 NOZZLE 1" NH (25mm) - Fixed gallonage nozzle includes flush without shutting down, patented slide-type valve for turbulence-free flow control, six detent flow positions, and "Gasket Grabber" inlet screen. Lightweight hard coat anodized aluminum for maximum resistance to corrosion and wear. 1" NH (25mm) full-time swivel knurled coupling is standard.

ME0VPGI-***
\$825.00
 2.6 lb (1.2kg)
 9.00" (22.9cm)



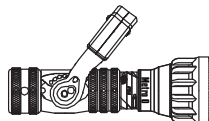
ME0VPGI-*** - METRO 0 W/GRIP 1" NH (25mm) - Fixed gallonage nozzle includes flush without shutting down, patented slide-type valve for turbulence-free flow control, six detent flow positions, and "Gasket Grabber" inlet screen. Lightweight hard coat anodized aluminum for maximum resistance to corrosion and wear. Pistol grip is mounted below the valve. 1" NH (25mm) full-time swivel knurled coupling is standard.

Folding Pistol Grip Kits with NFPA color inserts are available. See page 42 for ordering information.

METRO 0 — ORDERING MATRIX

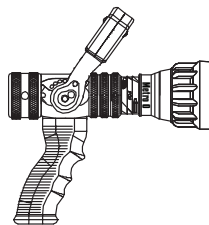
METRO 0 1.0" NH FEMALE

M	E	0	-	A	B	C
---	---	---	---	---	---	---



METRO 0 W/GRIP 1.0" NH FEMALE

M	E	0	V	P	G	I	-	A	B	C
---	---	---	---	---	---	---	---	---	---	---



A	B	C	GPM	PSI	LPM	BAR	K
0	2	3	20	75	75	5	2.3
0	4	6	40	75	151	5	4.6
0	6	9	60	75	227	5	6.9
0	2	0	20	100	75	7	2.0
0	4	0	40	100	151	7	4.0
0	6	0	60	100	227	7	6.0
1	0	0	100	100	378	7	10.0

Example: ME0VPGI-069 Would be Metro 0 with grip nozzle with a flow calibration disc of 60 gpm @ 75 psi (227 l/min @ 5bar) and a K factor of 6.9

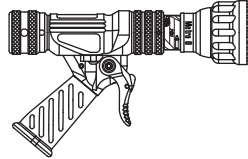
Flow calibration is specified at order entry per the new ordering matrix. The specified flow calibration disc will be installed at the factory; the nozzle will NOT be sent with extra flow calibration discs. If the calibration must be changed, request the appropriate free-of-charge calibration change kit. Each kit includes one flow disc and necessary hardware.

1.0" (25mm) METRO 0™ WITH IMPULSE™ TRIGGER VALVE SYSTEM

Fixed Gallonage

METRO 0 With Impulse™ Trigger Valve System - Fixed gallonage nozzle **delivered with specified flow disc installed.** The Metro 0 features flush without shutting down, "Gasket Grabber" inlet screen, trigger operated slide valve, and the rugged dependability you have come to expect from Task Force Tips. The Metro 0 models are available with stainless steel slide valve, and optional colored pistol grip (NFPA 1901 A.16.9.1). The Metro 0 Impulse accepts the FJ-U, FJ-LX-U low-expansion or FJ-UMX multi-expansion foam attachments.

ME0TPGI-***
\$825.00
3.5 lb (1.6kg)
11.25" (28.6cm)



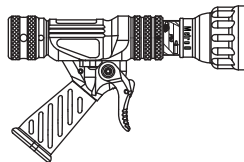
ME0TPGI-*** - METRO 0 WITH IMPULSE TRIGGER VALVE SYSTEM 1.0" NH (25mm) - Fixed gallonage nozzle includes flush without shutting down, trigger operated slide valve for turbulence-free flow control, and "Gasket Grabber" inlet screen. Lightweight hard coat anodized aluminum for maximum resistance to corrosion and wear. Pistol grip is mounted below the valve. 1.0" NH (25mm) full-time swivel knurled coupling is standard.

FOLDING PISTOL GRIP IS NOT AVAILABLE ON THIS MODEL
COLORED GRIP OVERLAYS ARE AVAILABLE. SEE PAGE 210 FOR KITS.

METRO 0 — ORDERING MATRIX

METRO 0 W/TRIG 1.0" NH FEMALE

M	E	O	T	P	G	I	-	A	B	C
---	---	---	---	---	---	---	---	---	---	---



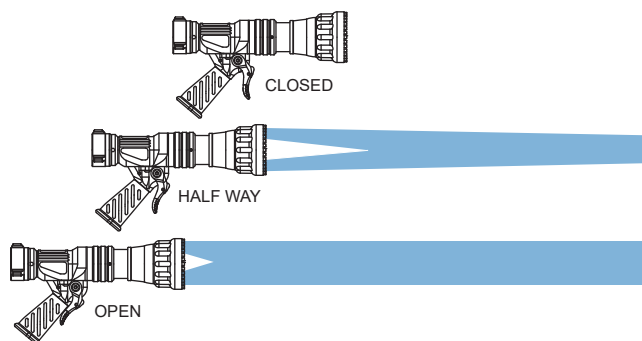
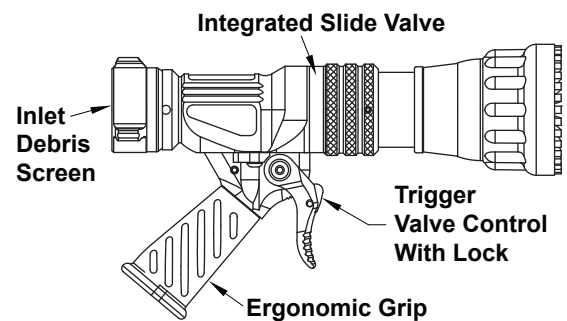
A	B	C	GPM	PSI	LPM	BAR	K
0	2	3	20	75	75	5	2.3
0	4	6	40	75	151	5	4.6
0	6	9	60	75	227	5	6.9
0	2	0	20	100	75	7	2.0
0	4	0	40	100	151	7	4.0
0	6	0	60	100	227	7	6.0
1	0	0	100	100	378	7	10.0

Example: ME0TPGI-069 Would be Metro 0 Trigger Nozzle with a flow calibration disc of 60 gpm @ 75 psi (227 l/min @ 5bar) and a K factor of 6.9

Flow calibration is specified at order entry per the new ordering matrix. The specified flow calibration disc will be installed at the factory; the nozzle will NOT be sent with extra flow calibration discs. If the calibration must be changed, request the appropriate free-of-charge calibration change kit. Each kit includes one flow disc and necessary hardware.

IMPULSE™ TRIGGER VALVE SYSTEM

The innovative integration of a trigger actuator with TFT's globally recognized slide style of valve, provides complete nozzle operator flow control with only a single hand, allowing the other hand to consistently control stream pattern selection. The trigger controller operates smoothly and easily throughout the nozzle's rated flow and pressure range, and offers the ability to hold multiple valve positions at the operator's discretion. The unique ergonomic pistol grip compliments the trigger valve design and greatly reduces operator fatigue.

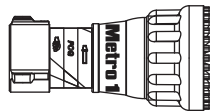


- Ergonomic Pistol Grip w/Available Color Coding
- Trigger Valve Controller w/Optional Flow Lock
- Integrated Slide Style Shut Off Valve
- Front Protective Bumper with Molded Rubber Fog Tooth

METRO 1 Series - Fixed gallonage nozzle **delivered with specified flow disc installed**. The Metro 1 features flush without shutting down, your choice of molded rubber bumper with "power fog" teeth or stainless steel spinning teeth, detent flow control, "Gasket Grabber" inlet screen, patented TFT slide valve, and the rugged dependability you have come to expect from Task Force Tips. The Metro 1 models are available in tip-only configuration, or with stainless steel slide valve, and optional colored pistol grip and handle covers (NFPA 1901 (A.16.9.1)). The Metro 1 accepts the FJ-HM, FJ-LX-HM low-expansion or FJ-MX-HM multi-expansion foam attachments and is NFPA compliant. All models are available with your choice of fixed rubber teeth or stainless steel spinning fog teeth.

Model# Suffix: S = Spinning Teeth

ME1TO-***
 ME1TOS-***
\$650.00
 2.4 lb (1.1kg)
 7.10" (18.0cm)



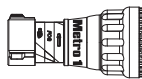
NFPA 1964
 COMPLIANT

ME1TO-*** - METRO 1 TIP 1.5" NH (38mm) -Fixed gallonage tip with flush without shutting down. Lightweight hard coat anodized aluminum for maximum resistance to corrosion and wear. Tip does not shut off and must be used with a separate valve or valved playpipe. 1.5" NH (38mm) rigid rocker lug coupling is standard.

METRO 1 TIP ONLY — ORDERING MATRIX

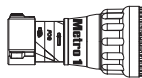
METRO 1 TIP 1.5" NH FEMALE

M	E	1	T	O	-	A	B	C
---	---	---	---	---	---	---	---	---



METRO 1 TIP 1.5" NH - SPINNING TEETH

M	E	1	T	O	S	-	A	B	C
---	---	---	---	---	---	---	---	---	---



A	B	C	GPM	PSI	LPM	BAR	K
1	3	4	95	50	360	3	13.4
1	7	7	125	50	473	3	17.7
2	1	2	150	50	568	3	21.2
2	2	6	160	50	606	3	22.6
2	4	7	175	50	662	3	24.7
2	6	2	185	50	700	3	26.2
2	8	3	200	50	757	3	28.3
0	6	9	60	75	227	5	6.9
1	4	4	125	75	473	5	14.4
1	7	3	150	75	568	5	17.3
2	0	2	175	75	662	5	20.2
2	1	4	185	75	700	5	21.4
2	3	1	200	75	757	5	23.1
0	6	0	60	100	227	7	6.0
0	9	5	95	100	360	7	9.5
1	2	5	125	100	473	7	12.5
1	5	0	150	100	568	7	15.0
1	7	5	175	100	662	7	17.5

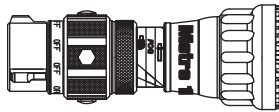
Flow calibration is specified at order entry per the new ordering matrix. The specified flow calibration disc will be installed at the factory; the nozzle will NOT be sent with extra flow calibration discs. If the calibration must be changed, request the appropriate free-of-charge calibration change kit. Each kit includes one flow disc and necessary hardware.

1.5" (38mm) METRO 1™ SERIES

Fixed Gallonage

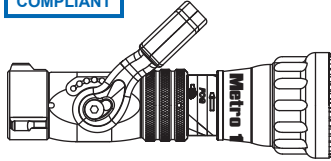
Model# Suffix: **S** = Spinning Teeth

ME1STO-***
ME1STOS-***
\$705.00
 3.4 lb (1.5kg)
 10.00" (25.4cm)



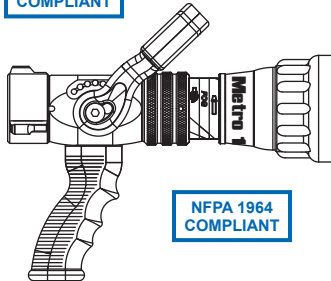
NFPA 1964
COMPLIANT

ME1V-***
ME1VS-***
\$940.00
 4.5 lb (2.1kg)
 11.50" (29.2cm)



NFPA 1964
COMPLIANT

ME1VPGI-***
ME1VPGIS-***
\$940.00
 4.9 lb (2.2kg)
 11.50" (29.2cm)



NFPA 1964
COMPLIANT

ME1STO-*** - METRO 1 TIP/TWIST-OFF 1.5" NH (38mm) - Fixed gallonage nozzle includes patented twist slide-type valve for turbulence-free flow control, flush without shutting down, and "Gasket Grabber" inlet screen. Lightweight hard coat anodized aluminum for maximum resistance to corrosion and wear. May be used with a separate valve or playpipe. Ideal for break-and-extend operations. 1.5" NH (38mm) rigid rocker lug coupling is standard.

ME1V-*** - METRO 1 NOZZLE 1.5" NH (38mm) - Fixed gallonage nozzle includes flush without shutting down, patented slide-type valve for turbulence-free flow control, six detent flow positions, and "Gasket Grabber" inlet screen. Lightweight hard coat anodized aluminum for maximum resistance to corrosion and wear. 1.5" NH (38mm) full-time swivel rocker lug coupling is standard.

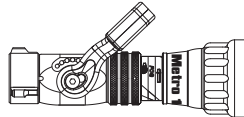
ME1VPGI-*** - METRO 1 W/GRIP 1.5" NH (38mm) - Fixed gallonage nozzle includes flush without shutting down, patented slide-type valve for turbulence-free flow control, six detent flow positions, and "Gasket Grabber" inlet screen. Lightweight hard coat anodized aluminum for maximum resistance to corrosion and wear. Pistol grip is mounted below the valve. 1.5" NH (38mm) full-time swivel rocker lug coupling is standard.

Folding Pistol Grip Kits with NFPA color inserts are available. See page 42 for ordering information.

METRO 1 VALVED NOZZLE — ORDERING MATRIX

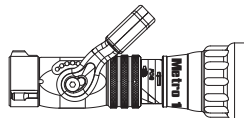
METRO 1 NOZZLE
1.5" NH (38mm) FEMALE

M E 1 V - A B C



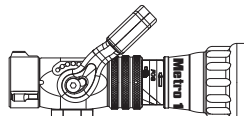
METRO 1 NOZZLE 1.5" NH (38mm)
FEMALE SPINNING TEETH

M E 1 V S - A B C



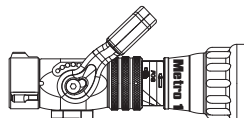
METRO 1 W/GRIP 1.5" NH (38mm) FEMALE

M E 1 V P G I - A B C



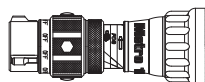
METRO 1 W/GRIP 1.5" NH (38mm)
FEMALE SPINNING TEETH

M E 1 V P G I S - A B C



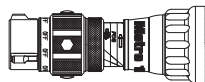
METRO 1 TIP/TWIST-OFF
1.5" NH (38mm) FEMALE

M E 1 S T O - A B C



METRO 1 TIP/TWIST-OFF
1.5" NH (38mm) FEMALE SPINNING TEETH

M E 1 S T O S - A B C



	A	B	C	GPM	PSI	LPM	BAR	K
0	5	7	40	50	151	3	5.7	
1	3	4	95	50	360	3	13.4	
1	7	7	125	50	473	3	17.7	
2	1	2	150	50	568	3	21.2	
2	2	6	160	50	606	3	22.6	
0	4	6	40	75	151	5	4.6	
0	6	9	60	75	227	5	6.9	
1	1	0	95	75	360	5	11.0	
1	4	4	125	75	473	5	14.4	
1	7	3	150	75	568	5	17.3	
2	0	2	175	75	662	5	20.2	
2	1	4	185	75	700	5	21.4	
2	3	1	200	75	757	5	23.1	
0	4	0	40	100	151	7	4.0	
0	6	0	60	100	227	7	6.0	
0	9	5	95	100	360	7	9.5	
1	2	5	125	100	473	7	12.5	
1	5	0	150	100	568	7	15.0	
1	7	5	175	100	662	7	17.5	
2	0	0	200	100	757	7	20.0	

1.5" (38mm) METRO 1™

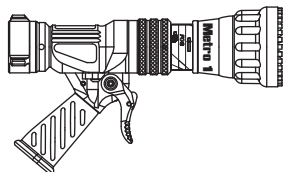
WITH IMPULSE™ TRIGGER VALVE SYSTEM

Fixed Gallonage

METRO 1 With Impulse™ Trigger Valve System - Fixed gallonage nozzle delivered with specified flow disc installed. The Metro 1 features flush without shutting down, your choice of molded rubber bumper with "power fog" teeth or stainless steel spinning teeth, "Gasket Grabber" inlet screen, trigger operated slide valve, and the rugged dependability you have come to expect from Task Force Tips. The Metro 1 Impulse has optional colored pistol grips available (NFPA 1901 A.16.9.1). The Metro 1 Impulse accepts the FJ-HM, FJ-LX-HM low-expansion or FJ-MX-HM multi-expansion foam attachments.

Model# Suffix: S = Spinning Teeth

ME1TPGI-***
ME1TPGIS-***
\$940.00
5.0 lb (2.3kg)
13.00" (33.0cm)



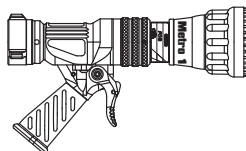
ME1-TPGI - METRO 1 WITH IMPULSE TRIGGER VALVE SYSTEM 1.5" NH (38mm) - Fixed gallonage nozzle includes flush without shutting down, trigger operated slide valve for turbulence-free flow control, and "Gasket Grabber" inlet screen. Lightweight hard coat anodized aluminum for maximum resistance to corrosion and wear. Pistol grip is mounted below the valve. 1.5" NH (38mm) full-time swivel rocker lug coupling is standard.

FOLDING PISTOL GRIP IS NOT AVAILABLE ON THIS MODEL.
COLORED GRIP OVERLAYS ARE AVAILABLE. SEE PAGE 210 FOR KITS.

METRO 1 WITH IMPLUSE TRIGGER VALVE SYSTEM ORDERING MATRIX

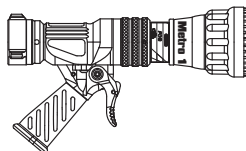
METRO 1 W/TRIG 1.5" NH (38mm) FEMALE

M	E	1	T	P	G	I	-	A	B	C
---	---	---	---	---	---	---	---	---	---	---



METRO 1 W/TRIG 1.5" NH (38mm)
FEMALE SPINNING TEETH

M	E	1	T	P	G	I	S	-	A	B	C
---	---	---	---	---	---	---	---	---	---	---	---



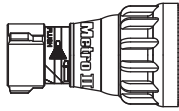
A	B	C	GPM	PSI	LPM	BAR	K
0	5	7	40	50	151	3	5.7
1	3	4	95	50	360	3	13.4
1	7	7	125	50	473	3	17.7
2	1	2	150	50	568	3	21.2
2	2	6	160	50	606	3	22.6
0	4	6	40	75	151	5	4.6
0	6	9	60	75	227	5	6.9
1	1	0	95	75	360	5	11.0
1	4	4	125	75	473	5	14.4
1	7	3	150	75	568	5	17.3
2	0	2	175	75	662	5	20.2
2	1	4	185	75	700	5	21.4
2	3	1	200	75	757	5	23.1
0	4	0	40	100	151	7	4.0
0	6	0	60	100	227	7	6.0
0	9	5	95	100	360	7	9.5
1	2	5	125	100	473	7	12.5
1	5	0	150	100	568	7	15.0
1	7	5	175	100	662	7	17.5
2	0	0	200	100	757	7	20.0

Example: ME1TPGIS-069 Would be Metro1 Trigger Nozzle with a flow calibration disc of 60 gpm @ 75 psi (227 l/min @ 5bar), a K factor of 6.9 and spinning teeth.

Flow calibration is specified at order entry per the new ordering matrix. The specified flow calibration disc will be installed at the factory; the nozzle will NOT be sent with extra flow calibration discs. If the calibration must be changed, request the appropriate free-of-charge calibration change kit. Each kit includes one flow disc and necessary hardware.

METRO 2 Series Fixed gallonage nozzle **delivered with specified flow disC installed**. Lightweight hard coat anodized aluminum for maximum resistance to corrosion and wear. All Metro 2's are available in tip only configuration, or with ball shut-off, and optional colored pistol grips and handle covers (NFPA 1901 A.16.9.1). The Metro 2 accepts either the FJ-H low-expansion or FJ-HMX multi-expansion foam attachments.

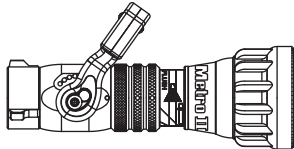
ME2TO-***
\$730.00
 3.90 lb (1.70kg)
 7.60" (19.3cm)



NFPA 1964
 COMPLIANT

ME2TO-*** - METRO 2 TIP 1.5" NH (38mm) - Fixed gallonage nozzle for use with separate valve or valved playpipe. The METRO 2 includes a flush without shutting down, molded rubber teeth for full-fill "power fog" pattern. Lightweight hard coat anodized aluminum for maximum resistance to corrosion and wear. Tip does not shut off and must be used with a separate valve or valved playpipe. 1.5" NH (38mm) rigid rocker lug coupling is standard.

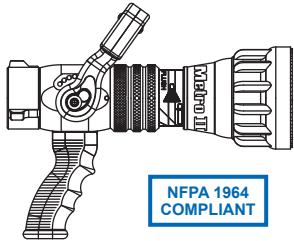
ME2V-***
\$1020.00
 6.40 lb (2.9kg)
 12.70" (32.3cm)



NFPA 1964
 COMPLIANT

ME2V-*** - METRO 2 NOZZLE 1.5" NH (38mm) - Fixed gallonage nozzle. The METRO 2 includes a flush without shutting down, ball valve shut-off and molded rubber teeth for full-fill "power fog" pattern. Lightweight hard coat anodized aluminum for maximum resistance to corrosion and wear. Optional color coded handle covers available. 1.5" NH (38mm) full-time swivel rocker lug coupling is standard.

ME2VPGI-***
\$1020.00
 6.60 lb (2.99kg)
 12.70" (32.3cm)



NFPA 1964
 COMPLIANT

ME2VPGI-*** - METRO 2 W/GRIP 1.5" NH (38mm) - Fixed gallonage nozzle. The METRO 2 includes a flush without shutting down, ball valve shut-off and molded rubber teeth for full-fill "power fog" pattern. Lightweight hard coat anodized aluminum for maximum resistance to corrosion and wear. Optional color coded pistol grip and handle covers available. Pistol grip is mounted below the valve. 1.5" NH (38mm) full-time swivel rocker lug coupling is standard.

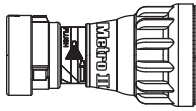
Folding Pistol Grip Kits with NFPA color inserts are available. See page 42 for ordering information.

METRO 2 — Ordering Matrix On Page 25

Flow calibration is specified at order entry per the new ordering matrix. The specified flow calibration disc will be installed at the factory; the nozzle will NOT be sent with extra flow calibration discs. If the calibration must be changed, request the appropriate free-of-charge calibration change kit. Each kit includes one flow disc and necessary hardware.

METRO 2 Series Fixed gallonage nozzle **delivered with specified flow disc installed**. Lightweight hard coat anodized aluminum for maximum resistance to corrosion and wear. All Metro 2's are available in tip only configuration, or with ball shut-off, and optional colored pistol grips and handle covers (NFPA 1901 (A.16.9.1)). The Metro 2 accepts either the FJ-H low-expansion or FJ-HMX multi-expansion foam attachments.

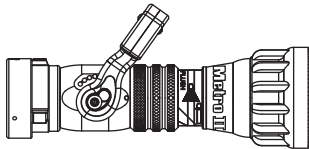
ME22TO-***
\$805.00
 4.2 lb (1.9kg)
 8.30" (21.1cm)



NFPA 1964
COMPLIANT

ME22TO-*** - METRO 2 TIP 2.5" NH (64mm) - Fixed gallonage nozzle for use with separate valve or valved playpipe. The METRO 2 includes a flush without shutting down, molded rubber teeth for full-fill "power fog" pattern. Lightweight hard coat anodized aluminum for maximum resistance to corrosion and wear. Tip does not shut off and must be used with a separate valve or valved playpipe. 2.5" NH (64mm) rigid rocker lug coupling is standard.

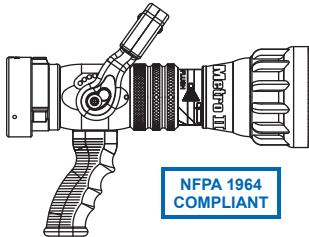
ME22V-***
\$1095.00
 6.8 lb (3.1kg)
 13.60" (34.5cm)



NFPA 1964
COMPLIANT

ME22V-*** - METRO 2 NOZZLE 2.5" NH (64mm) - Fixed gallonage nozzle. The METRO 2 includes a flush without shutting down, ball valve shut-off and molded rubber teeth for full-fill "power fog" pattern. Lightweight hard coat anodized aluminum for maximum resistance to corrosion and wear. Optional color coded handle covers available. 2.5" NH (64mm) full-time swivel rocker lug coupling is standard.

ME22VPGI-***
\$1095.00
 7.0 lb (3.2kg)
 13.60" (34.5cm)

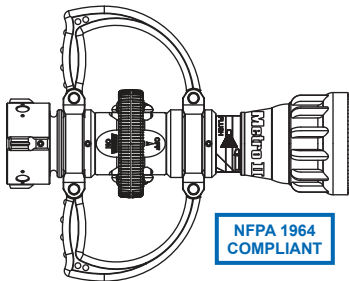


NFPA 1964
COMPLIANT

ME22VPGI-*** - METRO 2 W/GRIP 2.5" NH (64mm) - Fixed gallonage nozzle. The METRO 2 includes a flush without shutting down, ball valve shut-off and molded rubber teeth for full-fill "power fog" pattern. Lightweight hard coat anodized aluminum for maximum resistance to corrosion and wear. Optional color coded pistol grip and handle covers available. Pistol grip is mounted below the valve. 2.5" NH (64mm) full-time swivel rocker lug coupling is standard.

Folding Pistol Grip Kits with NFPA color inserts are available. See page 42 for ordering information.

ME2BLITZ-***
\$1270.00
 9.7 lb (4.4kg)
 15.50" (39.4cm)



NFPA 1964
COMPLIANT

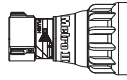
ME2BLITZ-*** - METRO 2 PLAYPIPE 2.5"NH (64mm) - Fixed gallonage nozzle / playpipe combination with ball valve shut-off. The METRO 2 includes a flush without shutting down, molded rubber teeth for full-fill "power fog" pattern. Lightweight hard coat anodized aluminum for maximum resistance to corrosion and wear. Nozzle is attached to valve and is not removable. Rubber coated handles are designed to reduce fatigue. 2.5" NH (64mm) full-time swivel rocker lug coupling is standard.

Flow calibration is specified at order entry per the new ordering matrix. The specified flow calibration disc will be installed at the factory; the nozzle will NOT be sent with extra flow calibration discs. If the calibration must be changed, request the appropriate free-of-charge calibration change kit. Each kit includes one flow disc and necessary hardware.

METRO 2 — ORDERING MATRIX

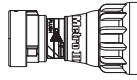
METRO 2 TIP 1.5" NH FEMALE

M	E	2	T	O	-	A	B	C
---	---	---	---	---	---	---	---	---



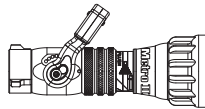
METRO 2 TIP 2.5" NH FEMALE

M	E	2	2	T	O	-	A	B	C
---	---	---	---	---	---	---	---	---	---



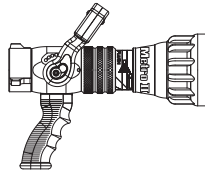
METRO 2 NOZZLE
1.5" NH FEMALE

M	E	2	V	-	A	B	C
---	---	---	---	---	---	---	---



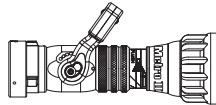
METRO 2 W/GRIP 1.5" NH FEMALE

M	E	2	V	P	G	I	-	A	B	C
---	---	---	---	---	---	---	---	---	---	---



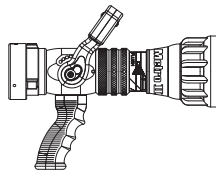
METRO 2 NOZZLE 2.5" NH FEMALE

M	E	2	2	V	-	A	B	C
---	---	---	---	---	---	---	---	---



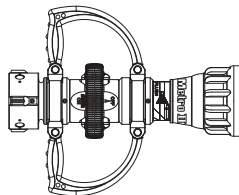
METRO 2 W/GRIP 2.5" NH FEMALE

M	E	2	2	V	P	G	I	-	A	B	C
---	---	---	---	---	---	---	---	---	---	---	---



METRO 2 PLAYPIPE 2.5" NH FEMALE

M	E	2	B	L	I	T	Z	-	A	B	C
---	---	---	---	---	---	---	---	---	---	---	---



A	B	C	GPM	PSI	LPM	BAR	K
2	6	2	185	50	700	3	26.2
3	5	4	250	50	946	3	35.4
1	4	4	125	75	473	5	14.4
2	1	3	185	75	700	5	21.4
2	3	1	200	75	757	5	23.1
2	8	9	250	75	946	5	28.9
0	9	5	95	100	360	7	9.5
1	7	5	175	100	662	7	17.5
2	5	0	250	100	946	7	25.0
3	2	5	325	100	1230	7	32.5

Example: ME2VPGI-262 Would be Metro 2 with Grip Nozzle with a flow calibration disc of 185 gpm @ 50 psi (700 l/min @ 3bar) and a K factor of 26.2 with 1.5" NH (38mm).

Flow calibration is specified at order entry per the new ordering matrix. The specified flow calibration disc will be installed at the factory; the nozzle will NOT be sent with extra flow calibration discs. If the calibration must be changed, request the appropriate free-of-charge calibration change kit. Each kit includes one flow disc and necessary hardware.

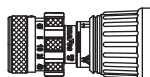
1.0" (25mm) QUADRAFOG® DQ40 SERIES

5-10-24-40 GPM (20-40-90-150 l/min)

Selectable Gallonage

The 5-10-24-40 gpm QuadraFog is an excellent choice for any 1.0" (25mm) hose line. With its optional colored pistol grip and handle covers (NFPA 1901 (A.16.9.1)), the compact QuadraFog is an economical and lightweight, selectable gallonage, combination pattern nozzle. It is adjustable from a straight stream to a dense fog pattern. All DQ40 series of nozzles are suitable for use with foam and accept either the FJ-DQ FOAMJET low-expansion or the FJ-MX-DQ FOAMJET multi-expansion foam attachments. All models have metal cut fog teeth. Metric calibrations available: 20-40-90-150 l/min @ 7 bar – consult factory for model numbers.

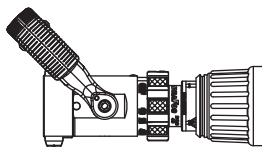
DQ40
\$465.00
1.3 lb. (0.6kg)
5.00" (12.7cm)



NFPA 1964
COMPLIANT

DQ40 QUADRAFOG TIP 1.0" NH (25mm) - Selectable gallonage nozzle with four flow settings of 5, 10, 24, and 40 gpm @ 100 psi (20-40-90-150 l/min @ 7 bar). All lightweight materials, hard coat anodized aluminum. Flush without shutting down. This tip-only design has an "off" position for break-and-extend operations. 1.0" NH (25mm) rigid thread is standard.

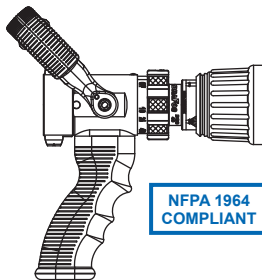
DQS40
\$770.00
2.0 lb. (0.9kg)
7.25" (18.4cm)



NFPA 1964
COMPLIANT

DQS40 QUADRAFOG NOZZLE 1.0" NH (25mm) - Selectable gallonage nozzle with four flow settings of 5, 10, 24, and 40 gpm @ 100 psi (20-40-90-150 l/min @ 7 bar). All lightweight materials, hard coat anodized aluminum. Flush without shutting down. Quick-change rear valve seat and stainless steel shut-off ball. Optional color coded handle covers available. Rocker lug 1.0" NH (25mm) swivel is standard.

DQS40P
\$770.00
2.3 lb. (1.0kg)
7.25" (18.4cm)



NFPA 1964
COMPLIANT

DQS40P QUADRAFOG W/GRIP 1.0" NH (25mm) - Selectable gallonage nozzle with four flow settings of 5, 10, 24, and 40 gpm @ 100 psi (20-40-90-150 l/min @ 7 bar). All lightweight materials, hard coat anodized aluminum. Flush without shutting down. Quick-change rear valve seat and stainless steel shut-off ball. Pistol grip is mounted below the valve. Optional color coded pistol grip and handle covers available. Rocker lug 1.0" NH (25mm) swivel is standard.

Folding Pistol Grip Kits with NFPA color inserts are available. See page 42 for ordering information.

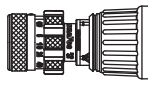
1.0" (25mm) QuadraFog® DQ60 SERIES

5-10-24-40-60 GPM (20-40-90-150-230 l/min)

Selectable Gallonage

The 5-10-24-40-60 gpm (20-40-90-150-230 l/min) QuadraFog is an excellent choice for any 1.0" (25mm) hose line. With its optional colored pistol grip and handle covers (NFPA 1901 A.16.9.1), the compact QuadraFog is an economical and lightweight, selectable gallonage, combination pattern nozzle. It is adjustable from a straight stream to a dense fog pattern. All DQ60 series of nozzles are suitable for use with foam and accept either the FJ-DQ FOAMJET low-expansion or the FJ-MX-DQ FOAMJET multi-expansion foam attachments. All models have metal cut fog teeth. Metric calibrations available: 20-40-90-150-230 l/min @ 7 bar – consult factory for model numbers.

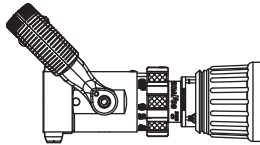
DQ60
\$465.00
1.3 lb. (0.6kg)
5.00" (12.7cm)



NFPA 1964
COMPLIANT

DQ60 QUADRAFOG TIP 1.0" NH (25mm) - Selectable gallonage nozzle with five flow settings of 5, 10, 24, 40 and 60 gpm @ 100 psi (20-40-90-150-230 l/min @ 7 bar). All lightweight materials, hard coat anodized aluminum. This tip-only design has an "off" position for break-and-extend operations. 1.0" NH (25mm) rigid thread is standard.

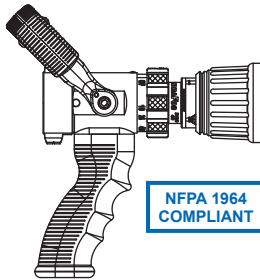
DQS60
\$770.00
2.0 lb. (0.9kg)
7.25" (18.4cm)



NFPA 1964
COMPLIANT

DQS60 QUADRAFOG NOZZLE 1.0" NH (25mm) - Selectable gallonage nozzle with five flow settings of 5, 10, 24, 40 and 60 gpm @ 100 psi (20-40-90-150-230 l/min @ 7 bar). All lightweight materials, hard coat anodized aluminum. Flush without shutting down. Quick-change rear valve seat and stainless steel shut-off ball. Optional color coded handle covers available. Rocker lug 1.0" NH (25mm) swivel is standard.

DQS60P
\$770.00
2.3 lb. (1.0kg)
7.25" (18.4cm)



NFPA 1964
COMPLIANT

DQS60P QUADRAFOG W/GRIP 1.0" NH (25mm) - Selectable gallonage nozzle with five flow settings of 5, 10, 24, 40 and 60 gpm @ 100 psi (20-40-90-150-230 l/min @ 7 bar). All lightweight materials, hard coat anodized aluminum. Flush without shutting down. Quick-change rear valve seat and stainless steel shut-off ball. Pistol grip is mounted below the valve. Optional color coded pistol grip and handle covers available. Rocker lug 1.0" NH (25mm) swivel is standard.

Folding Pistol Grip Kits with NFPA color inserts are available. See page 42 for ordering information.

1.5" (38mm) QUADRAFOG® SERIES

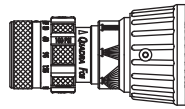
30 - 125 GPM (110 -470 l/min)

Selectable Gallonage

The 30-125 gpm QuadraFog is designed for 1-1/2" (38mm) hose lines. The compact QuadraFog is a rugged and dependable, NFPA compliant, selectable gallonage nozzle. Available in either tip-only configuration, or with a stainless ball shutoff, the QuadraFog is also available with optional colored pistol grip and handle covers (NFPA 1901 (A.16.9.1)). All 1-1/2" QuadraFogs accept either the FJ-LX-FQ FOAMJET low-expansion or the FJ-MX-FQ FOAMJET multi-expansion foam aspiration attachments and come with your choice of Fixed aluminum (F) or stainless steel Spinning (S) fog teeth. Metric calibrations available: 110-230-360-470 l/min @ 7bar – consult factory for model numbers.

Model# Suffix: F = Fixed Teeth S = Spinning Teeth L = Low Pressure

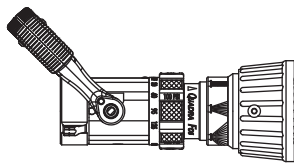
FQ125F
FQ125S
FQ125LF
FQ125LS
\$650.00
2.4 lb. (1.1kg)
6.87" (17.5cm)



FQ125 QUADRAFOG TIP 1.5" NH (38mm) - Selectable gallonage nozzle with four flow settings of 30, 60, 95, and 125 gpm @ 100 psi (110-230-360-470 l/min @ 7bar). All lightweight materials, hard coat anodized aluminum. Flush without shutting down. This tip-only design has an "off" position for break-and-extend operations. 1.5" NH (38mm) rigid thread is standard. FM Approved

FQ125L - LOW PRESSURE VERSION. Same as FQ125 above, but operates at a lower pressure of 75 psi (5 bar). Not FM Approved

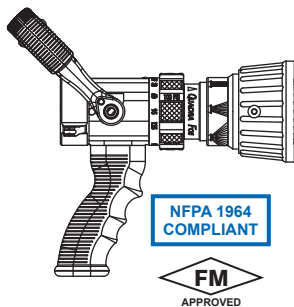
FQS125F
FQS125S
FQS125LF
FQS125LS
\$980.00
3.4 lb. (1.5kg)
8.37" (21.3cm)



FQS125 QUADRAFOG NOZZLE 1.5" NH (38mm) - Selectable gallonage nozzle with four flow settings of 30, 60, 95, and 125 gpm @ 100 psi (110-230-360-470 l/min @ 7bar). All lightweight materials, hard coat anodized aluminum. Flush without shutting down. Quick-change rear valve seat and stainless steel shut-off ball. Rocker lug 1.5" NH (38mm) swivel is standard. FM Approved

FQS125L - LOW PRESSURE VERSION. Same as FQS125 above, but operates at a lower pressure of 75 psi (5 bar). Not FM Approved

FQS125PF
FQS125PS
FQS125LPF
FQS125LPS
\$980.00
3.6 lb. (1.6kg)
8.37" (21.3cm)



FQS125P QUADRAFOG W/GRIP 1.5" NH (38mm) - Selectable gallonage nozzle with four flow settings of 30, 60, 95, and 125 gpm @ 100 psi (110-230-360-470 l/min @ 7bar). All lightweight materials, hard coat anodized aluminum. Flush without shutting down. Quick-change rear valve seat and stainless steel shut-off ball. Pistol grip is mounted below the valve. Rocker lug 1.5" NH (38mm) swivel is standard. FM Approved

FQS125LP - LOW PRESSURE VERSION. Same as FQS125P above, but operates at a lower pressure of 75 psi (5 bar). Not FM Approved

Folding Pistol Grip Kits with NFPA color inserts are available. See page 42 for ordering information.

1.5" (38mm) THUNDERFOG® SERIES

30 - 200 or 95 - 250 GPM (110 - 750 or 360 - 950 l/min)

Selectable Gallonage

The Thunderfog is available in two basic series: the 200 series, with a selectable flow range of 30-200 gpm (110-750 l/min), and the 250 series, with a selectable flow range of 95-250 gpm (360-950 l/min). The 200 series is an excellent choice for 1.5" or 1.75" hose lines, and for higher flows, the 250 series will work with 1.5" (38mm) through 2.5" (64mm) lines. All Thunderfogs are NFPA compliant, and are available in tip only configuration, or with stainless steel ball shutoff, and optional colored pistol grips and handle covers (NFPA 1901 (A.16.9.1)). All Thunderfogs accept the FJ-MX-FT FOAMJET multi-expansion foam aspirating attachment, and are available with your choice of Fixed aluminum (F) or stainless steel Spinning (S) fog teeth. Metric calibrations available: 110-230-360-470-570-750 l/min @ 7 bar or 360-470-570-750-950 l/min @ 7 bar – consult factory for model numbers.

Model# Suffix: **F** = Fixed Teeth **S** = Spinning Teeth **L** = Low Pressure

FT200F
FT200S
FT200LF
FT200LS
\$750.00
3.7 lb. (1.7kg)
8.25" (21cm)



NFPA 1964
COMPLIANT

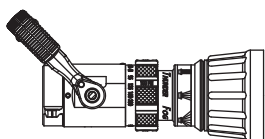


1.5" 30-200 GPM SERIES (110-750 l/min)

FT200 THUNDERFOG TIP 1.5" NH (38mm) - Selectable gallonage nozzle with six flow settings of 30, 60, 95, 125, 150, and 200 gpm @ 100 psi (110-230-360-470-570-750 l/min @ 7 bar). All lightweight materials, hard coat anodized aluminum. Flush without shutting down. This tip-only design has an "off" position for break-and-extend operations. 1.5" NH (38mm) rigid rocker lug coupling is standard. FM Approved

FT200L - LOW PRESSURE VERSION. Same as FT200 above, but operates at a lower pressure of 75 psi (5 bar). Not FM Approved

FTS200F
FTS200S
FTS200LF
FTS200LS
\$1150.00
5.6 lb. (2.5kg)
10.18" (25.9cm)



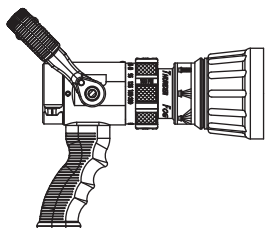
NFPA 1964
COMPLIANT



FTS200 THUNDERFOG NOZZLE 1.5" NH (38mm) - Selectable gallonage nozzle with six flow settings of 30, 60, 95, 125, 150, and 200 gpm @ 100 psi (110-230-360-470-570-750 l/min @ 7 bar). All lightweight materials, hard coat anodized aluminum. Flush without shutting down. Quick-change rear valve seat and stainless steel shut-off ball. Rocker lug 1.5" NH (38mm) full-time swivel coupling is standard. FM Approved

FTS200L - LOW PRESSURE VERSION. Same as FTS200 above, but operates at a lower pressure of 75 psi (5 bar). Not FM Approved

FTS200PF
FTS200PS
FTS200LPF
FTS200LPS
\$1150.00
5.8 lb. (2.5kg)
10.18" (25.9cm)



NFPA 1964
COMPLIANT



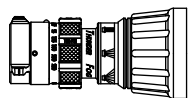
FTS200P THUNDERFOG W/GRIP 1.5" NH (38mm) - Selectable gallonage nozzle with six flow settings of 30, 60, 95, 125, 150, and 200 gpm @ 100 psi (110-230-360-470-570-750 l/min @ 7 bar). All lightweight materials, hard coat anodized aluminum. Flush without shutting down. Quick-change rear valve seat and stainless steel shut-off ball. Pistol grip is mounted below the valve. Rocker lug 1.5" NH (38mm) full-time swivel coupling is standard. FM Approved

FTS200LP - LOW PRESSURE VERSION. Same as FTS200P above, but operates at a lower pressure of 75 psi (5 bar). Not FM Approved

Folding Pistol Grip Kits with NFPA color inserts are available. See page 42 for ordering information.

1.5" 95-250 GPM SERIES (360-950 l/min)

FT250F
FT250S
\$750.00
3.7 lb. (1.7kg)
8.25" (2.1cm)

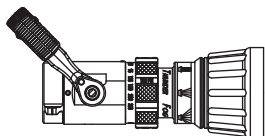


NFPA 1964
COMPLIANT



FT250 THUNDERFOG TIP 1.5" NH (38mm) - Selectable gallonage nozzle with five flow settings of 95, 125, 150, 200, and 250 gpm @ 100 psi (360-470-570-750-950 l/min @ 7 bar). All lightweight materials, hard coat anodized aluminum. Flush without shutting down. This tip-only design has an "off" position for break-and-extend operations. 1.5" NH (38mm) rigid rocker lug coupling is standard. FM Approved

FTS250F
FTS250S
\$1150.00
5.6 lb. (2.5kg)
10.18" (25.9cm)

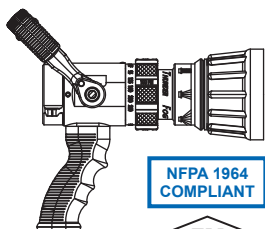


NFPA 1964
COMPLIANT



FTS250 THUNDERFOG NOZZLE 1.5" NH (38mm) - Selectable gallonage nozzle with five flow settings of 95, 125, 150, 200, and 250 gpm @ 100 psi (360-470-570-750-950 l/min @ 7 bar). All lightweight materials, hard coat anodized aluminum. Flush without shutting down. Quick-change rear valve seat and stainless steel shut-off ball. Rocker lug 1.5" NH (38mm) full-time swivel coupling is standard. FM Approved

FTS250PF
FTS250PS
\$1150.00
5.8 lb. (2.5kg)
10.18" (25.9cm)



NFPA 1964
COMPLIANT



FTS250P THUNDERFOG W/GRIP 1.5" NH (38mm) - Selectable gallonage nozzle with five flow settings of 95, 125, 150, 200, and 250 gpm @ 100 psi (360-470-570-750-950 l/min @ 7 bar). All lightweight materials, hard coat anodized aluminum. Flush without shutting down. Quick-change rear valve seat and stainless steel shut-off ball. Pistol grip is mounted below the valve. Rocker lug 1.5" NH (38mm) full-time swivel coupling is standard. FM Approved

Folding Pistol Grip Kits with NFPA color inserts are available. See page 42 for ordering information.

2.5" (64mm) THUNDERFOG® SERIES

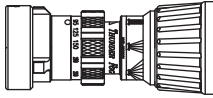
95 - 250 GPM (360 - 950 l/min)

Selectable Gallonage

The Thunderfog is available with a selectable flow range of 95-250 gpm. The 250 series will work with 2.5" or 3" (64 or 76mm) hose lines. All Thunderfogs are NFPA compliant, and are available in tip only configuration, or with stainless steel shut-off ball. All Thunderfogs accept the FJ-MX-FT FOAMJET multi-expansion foam aspirating attachment, and are available with your choice of uniquely cut Fixed aluminum (F) or stainless steel Spinning (S) fog teeth. Metric calibrations available: 360-470-570-750-950 l/min @ 7 bar – consult factory for model numbers.

Model# Suffix: F = Fixed Teeth S = Spinning Teeth

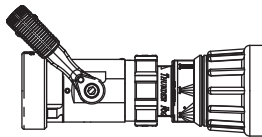
JT250F
JT250S
\$825.00
4.7 lb (2.1kg)
9.37" (23.8cm)



2.5" (64mm) 95-250 GPM SERIES (360-950 l/min)

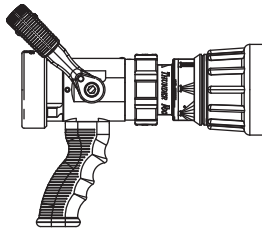
JT250 THUNDERFOG TIP 2.5" NH (64mm) - Selectable gallonage nozzle with five flow settings of 95, 125, 150, 200, and 250 gpm @ 100 psi (360-470-570-750-950 l/min @ 7 bar). All lightweight materials, hard coat anodized aluminum. Flush without shutting down. This tip only design has an "off" position for break-and-extend operations. 2.5" NH (64mm) rigid rocker lug coupling is standard. FM Approved

JTS250F
JTS250S
\$1225.00
6.0 lb (2.7kg)
11.40" (28.9cm)



JTS250 THUNDERFOG NOZZLE 2.5" NH (64mm) - Selectable gallonage nozzle with five flow settings of 95, 125, 150, 200, and 250 gpm @ 100 psi (360-470-570-750-950 l/min @ 7 bar). All lightweight materials, hard coat anodized aluminum. Flush without shutting down. Quick-change rear valve seat and stainless steel shut-off ball. 2.5" NH (64mm) swivel rocker lug coupling is standard. FM Approved

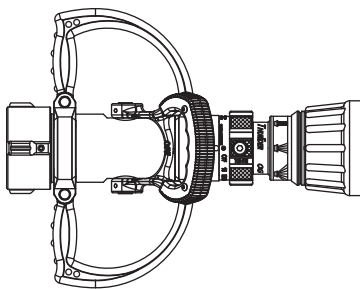
JTS250PF
JTS250PS
\$1225.00
6.3 lb (2.9kg)
11.40" (28.9cm)



JTS250P THUNDERFOG W/GRIP 2.5" NH (64mm) - Selectable gallonage nozzle with five flow settings of 95, 125, 150, 200, and 250 gpm @ 100 psi (360-470-570-750-950 l/min @ 7 bar). All lightweight materials, hard coat anodized aluminum. Flush without shutting down. Quick-change rear valve seat and stainless steel shut-off ball. Pistol grip is mounted below the valve. 2.5" NH (64mm) swivel rocker lug coupling is standard. FM Approved

Folding Pistol Grip Kits with NFPA color inserts are available. See page 42 for ordering information.

JTS250PPF
JTS250PPS
\$1475.00
9.2 lb (4.2kg)
15.40" (39.1cm)



JTS250PP THUNDERFOG PLAYPIPE 2.5" NH (64mm) - Smallest, most compact nozzle/playpipe combination available for use on 2.5" or 3" (64mm or 76mm) lines. Selectable gallonage nozzle with five flow settings of 95, 125, 150, 200, and 250 gpm @ 100 psi (360-470-570-750-950 l/min @ 7 bar). All lightweight materials, hard coat anodized aluminum. Flush without shutting down. Quick-change rear valve seat and stainless steel shut-off ball. Lightweight hard coat anodized aluminum alloy for maximum corrosion and wear. Nozzle is attached to valve and is not removable. Rubber coated playpipe handles are designed to reduce fatigue. 2.5" NH (64mm) full-time swivel rocker lug coupling is standard. FM Approved

1.0" (25mm) ULTIMATIC 125 SERIES

10-125 GPM (40-500 l/min) 10-100 GPM (40-400 l/min) low pressure **Automatic**

The TFT ULTIMATIC 125 has an unprecedented flow range of 10-125 gpm (40-500 l/min). The compact size and reduced weight of this automatic nozzle make it an outstanding performer for 1" (25mm) as well as 1.5" (38mm) hose. The ULTIMATIC 125 features flush without shutting down, molded rubber bumper with "power fog" teeth, detent flow control, "Gasket Grabber" inlet screen, patented TFT slide valve, optional colored pistol grip and handle covers (NFPA 1901 (A.16.9.1) and the rugged dependability you have come to expect from Task Force Tips. The ULTIMATIC 125 is available in several configurations for a wide variety of applications. It is adjustable from a straight stream to a dense fog pattern. All ULTIMATIC 125 series of nozzles are suitable for use with foam and accept either the FJ-U or FJ-LX-U FOAMJET low-expansion or the FJ-UMX FOAMJET multi-expansion foam attachments.

This nozzle is our recommendation for high pressure applications, on .75", 1.0" and 1.25" (19mm, 25mm and 32mm) hose, up to 800 psi (55 bar)

L = Low Pressure 75 psi (5 bar)

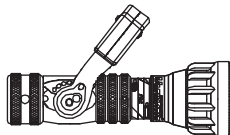
B-TO
BL-TO
\$590.00
1.5 lb (0.7kg)
7.20" (18.3cm)



B-TO ULTIMATIC TIP 1.0" NH (25mm) - Full automatic 100 psi (7 bar) nozzle with a flow range of 10-125 gpm (40-500 l/min). Tip does not shut off and must be used with a separate valve or valved playpipe. 1.0" (25mm) rigid knurled coupling is standard.

BL-TO ULTIMATIC TIP - LOW PRESSURE VERSION. Same as B-TO, but operates at a lower pressure of approximately 75 psi (5 bar). Flow range is 10-100 gpm (40-400 l/min).

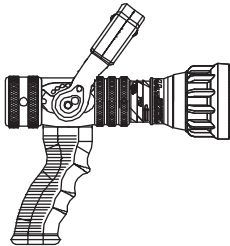
B-BH
BL-BH
\$1040.00
2.1 lb (1.1kg)
9.00" (22.9cm)



B-BH ULTIMATIC NOZZLE 1.0" NH (25mm) - Full automatic 100 psi (7 bar) nozzle for use on 3/4" (19mm) or 1" (25mm) hose. Flow range of 10-125 gpm (40-500 l/min). Includes flush without shutting down, six position detent flow control slide valve, "Gasket Grabber" inlet screen, and molded rubber bumper with "power fog" teeth. Lightweight hard coat anodized aluminum for maximum resistance to corrosion and wear. 1.0" NH (25mm) full-time swivel is standard.

BL-BH ULTIMATIC NOZZLE - LOW PRESSURE VERSION. Same as B-BH, but operates at a lower pressure of approximately 75 psi (5 bar). Flow range is 10-100 gpm (40-400 l/min).

B-BGH
BL-BGH
\$1040.00
2.6 lb (1.2kg)
9.00" (22.9cm)



B-BGH ULTIMATIC W/GRIP 1.0" NH (25mm) - Full automatic 100 psi (7 bar) nozzle for use on 3/4" (19mm) or 1" (25mm) hose. Flow range of 10-125 gpm (40-500 l/min). Includes pistol grip mounted below the valve, flush without shutting down, six position detent flow control slide valve, "Gasket Grabber" inlet screen, and molded rubber bumper with "power fog" teeth. Lightweight hard coat anodized aluminum for maximum resistance to corrosion and wear. 1.0" NH (25mm) full-time swivel is standard.

BL-BGH ULTIMATIC W/GRIP - LOW PRESSURE VERSION. Same as B-BGH above, but operates at a lower pressure of approximately 75 psi (5 bar). Flow range is 10-100 gpm (40-400 l/min).

Folding Pistol Grip Kits with NFPA color inserts are available.
See page 42 for ordering information.

1.5" (38mm) ULTIMATIC™ SERIES

10-125 GPM (40-500 l/min) 10-100 GPM (40-400 l/min) low pressure **Automatic**

The TFT ULTIMATIC has wide flow range, compact size, and reduced weight making this automatic nozzle an outstanding performer for 1.0" (25mm) as well as 1.5" (38mm) hose. The ULTIMATIC features flush without shutting down, molded rubber bumper with "power fog" teeth, detent flow control, "Gasket Grabber" inlet screen, patented TFT slide valve, optional colored pistol grip and handle covers (NFPA 1901 A.16.9.1) and the rugged dependability you have come to expect from Task Force Tips. The ULTIMATIC is available in several configurations for a wide variety of applications. It is adjustable from a straight stream to a dense fog pattern. All ULTIMATIC series of nozzles are suitable for use with foam and accept either the FJ-U or FJ-LX-U FOAMJET low-expansion or the FJ-UMX FOAMJET multi-expansion foam attachments.

L = Low Pressure 75 psi

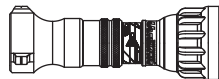
BTO-125

BTOL-125

\$640.00

1.8 lb (0.7kg)

8.50" (21.6cm)



BTO-125 ULTIMATIC TIP 1.5" NH (38mm) - Full automatic 100 psi (7 bar) nozzle with a flow range of 10-125 gpm (40-500 l/min). Tip does not shut off and must be used with a separate valve or valved playpipe. 1.5" NH (38mm) rigid rocker lug-coupling is standard.

BTOL-125 ULTIMATIC TIP - LOW PRESSURE VERSION. Same as BTO-125, but operates at a lower pressure of approximately 75 psi (5 bar). Flow range is 10-100 gpm (40-400 l/min).

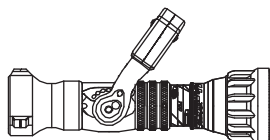
BH-125

BHL-125

\$1090.00

3.0 lb (1.4kg)

10.50" (26.7cm)



BH-125 ULTIMATIC NOZZLE 1.5" NH (38mm) - Full automatic 100 psi (7 bar) nozzle with 1.5" NH (38mm) coupling and thread. Flow range of 10-125 gpm (40-500 l/min). Includes flush without shutting down, six position detent flow control slide valve, "Gasket Grabber" inlet screen, and molded rubber bumper with "power fog" teeth. Lightweight hard coat anodized aluminum for maximum resistance to corrosion and wear. Rocker lug 1.5" NH (38mm) full-time swivel coupling is standard.

BHL-125 ULTIMATIC NOZZLE LOW PRESSURE VERSION WITH 1.5" (38mm) COUPLING. Same as BH-125 above, but operates at a lower pressure of approximately 75 psi (5 bar). Flow range is 10-100 gpm (40-400 l/min).

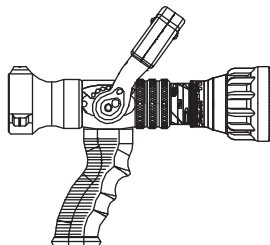
BGH-125

BGHL-125

\$1090.00

3.2 lb (1.5kg)

10.50" (26.7cm)



BGH-125 ULTIMATIC W/GRIP 1.5" NH (38mm) - Full automatic 100 psi (7 bar) nozzle with 1.5" NH (38mm) coupling and thread. Flow range of 10-125 gpm (40-500 l/min). Includes pistol grip mounted below the valve, flush without shutting down, six position detent flow control slide valve, "Gasket Grabber" inlet screen, and molded rubber bumper with "power fog" teeth. Lightweight hard coat anodized aluminum for maximum resistance to corrosion and wear. Rocker lug 1.5" NH (38mm) full-time swivel coupling is standard.

BGHL-125 ULTIMATIC W/GRIP - LOW PRESSURE VERSION WITH 1.5" (38mm) COUPLING. Same as BGH-125 above, but operates at a lower pressure of approximately 75 psi (5 bar). Flow range is 10-100 gpm (40-400 l/min).

Folding Pistol Grip Kits with NFPA color inserts are available.
See page 42 for ordering information.

1.0" (25mm) & 1.5" (38mm) ULTIMATIC™ NOZZLES

WITH IMPULSE™ TRIGGER VALVE SYSTEM

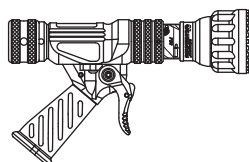
Automatic

10-125 GPM (40-500 l/min) 10-100 GPM (40-400 l/min) low pressure

The TFT ULTIMATIC With Impulse™ Trigger Valve System has wide flow range, compact size, and reduced weight making this automatic nozzle an outstanding performer for 1" (25mm) as well as 1.5" (38mm) hose. The ULTIMATIC Impulse features flush without shutting down, molded rubber bumper with "power fog" teeth, "Gasket Grabber" inlet screen, trigger operated slide valve, optional colored pistol grip (NFPA 1901 A.16.9.1) and the rugged dependability you have come to expect from Task Force Tips. The ULTIMATIC Impulse is available in several configurations for a wide variety of applications. It is adjustable from a straight stream to a dense fog pattern. All ULTIMATIC Impulse nozzles are suitable for use with foam and accept either the FJ-U or F-LX-U FOAMJET low-expansion or the FJ-UMX FOAMJET multi-expansion foam attachments.

H = High Pressure 800 psi (55 bar) L = Low Pressure 75 psi (5 bar)

B-BGT
BH-BGT
BL-BGT
\$1040.00
3.5 lb (1.6kg)
11.25" (28.6cm)

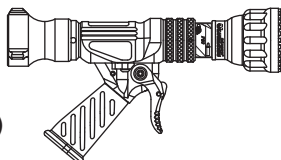


B-BGT ULTIMATIC WITH IMPULSE TRIGGER VALVE SYSTEM 1.0" NH (25mm) - Full automatic 100 psi (7 bar) nozzle for use on 0.75" (19mm) or 1.0" (25mm) hose. Flow range of 10-125 gpm (40-500 l/min). Includes pistol grip mounted below the valve, flush without shutting down, trigger operated slide valve, "Gasket Grabber" inlet screen, and molded rubber bumper with "power fog" teeth. Lightweight hard coat anodized aluminum for maximum resistance to corrosion and wear. 1.0" NH (25mm) full-time swivel is standard.

BH-BGT ULTIMATIC WITH IMPULSE TRIGGER VALVE SYSTEM - HIGH PRESSURE VERSION. Same as B-BGT above, but operates at a high pressure up to 800 psi (55 bar). Flow range is 10-70 gpm @ 100 psi (40-250 l/min @ 7 bar).

BL-BGT ULTIMATIC WITH IMPULSE TRIGGER VALVE SYSTEM - LOW PRESSURE VERSION. Same as B-BGT above, but operates at a lower pressure of approximately 75 psi (5 bar). Flow range is 10-100 gpm (40-400 l/min).

BGT-125
BGTL-125
\$1090.00
3.5 lb (1.6kg)
11.25" (28.6cm)



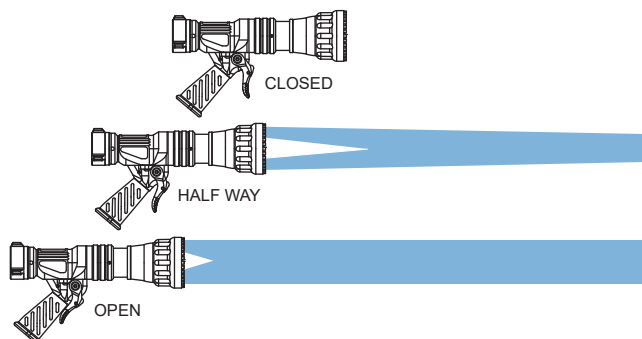
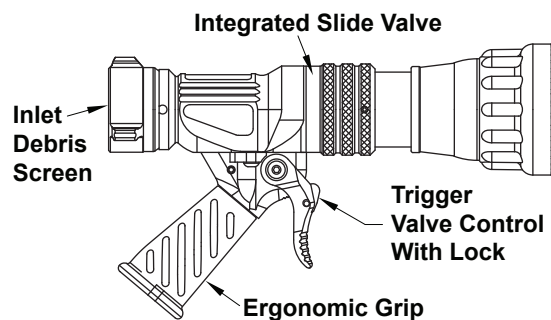
BGT-125 ULTIMATIC WITH IMPULSE TRIGGER VALVE SYSTEM 1.5" NH (38mm) - Full automatic 100 psi (7 bar) nozzle with 1.5" NH (38mm) coupling and thread. Flow range of 10-125 gpm (40-500 l/min). Includes pistol grip mounted below the valve, flush without shutting down, trigger operated slide valve, "Gasket Grabber" inlet screen, and molded rubber bumper with "power fog" teeth. Lightweight hard coat anodized aluminum for maximum resistance to corrosion and wear. Rocker lug 1.5" NH (38mm) full-time swivel coupling is standard.

BGTL-125 ULTIMATIC WITH IMPULSE TRIGGER VALVE SYSTEM - LOW PRESSURE VERSION WITH 1.5" (38mm) COUPLING. Same as BGT125 above, but operates at a lower pressure of approximately 75 psi (5 bar). Flow range is 10-100 gpm (40-400 l/min).

FOLDING PISTOL GRIP IS NOT AVAILABLE ON THIS MODEL COLORED GRIP OVERLAYS ARE AVAILABLE. SEE PAGE 210 FOR KITS.

IMPULSE™ TRIGGER VALVE SYSTEM

The innovative integration of a trigger actuator with TFT's globally recognized slide style of valve, provides complete nozzle operator flow control with only a single hand, allowing the other hand to consistently control stream pattern selection. The trigger controller operates smoothly and easily throughout the nozzle's rated flow and pressure range, and offers the ability to hold multiple valve positions at the operator's discretion. The unique ergonomic pistol grip compliments the trigger valve design and greatly reduces operator fatigue.



- Ergonomic Pistol Grip w/Available Color Coding
- Trigger Valve Controller w/Optional Flow Lock
- Integrated Slide Style Shut Off Valve
- Front Protective Bumper with Molded Rubber Fog Tooth

1.5" (38mm) MID-MATIC SERIES

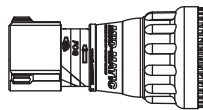
70 - 200 GPM (260 - 760 l/min)

Mid-Range Automatic

With a wide flow range of 70-200 gpm (260-760 l/min), the Mid-Matic series can be used on 1.5" (38mm), 1.75" (45mm) and 2" (52mm) hose. The Mid-Matic features flush without shutting down, your choice of molded rubber bumper with "power fog" teeth or stainless steel spinning teeth, detent flow control, "Gasket Grabber" inlet screen, patented TFT slide valve, and the rugged dependability you have come to expect from Task Force Tips. Mid-Matic models are fully NFPA compliant, and are available in tip-only configuration, or with stainless steel slide valve, and optional colored pistol grip and handle covers (NFPA 1901 A16.9.1). All Mid-Matic nozzles accept the FJ-LX-HM or FJ-HM low-expansion or the FJ-MX-HM multi-expansion foam attachments. All models are available with fixed rubber teeth or stainless steel spinning (s) fog teeth.

S = Spinning Teeth L = Low Pressure 75 psi (5 bar) K = Low Pressure 55 psi (4 bar)

HM-TO
HM-TOS
HML-TO
HML-TOS
HMK-TO
HMK-TOS
\$930.00
2.3 lb (1.0kg)
7.20" (18.3cm)

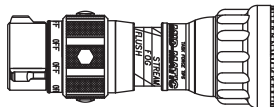


HM-TO MID-MATIC TIP 100 PSI 1.5" NH (38mm) - Automatic nozzle for use with separate valve or valved playpipe. Full automatic 100 psi (7 bar) pressure control with a flow capacity of 70-200 gpm (260-760 l/min). Includes flush without shutting down, and lightweight hard coat anodized aluminum for maximum resistance to corrosion and wear. Tip does not shut off and must be used with a separate valve or valved playpipe. 1.5" NH (38mm) rigid rocker lug-coupling is standard. FM Approved

HML-TO LOW PRESSURE 75 PSI VERSION. Same as HM-TO above, but operates at a lower pressure of approximately 75 psi (5 bar). Flow range is 70-200 gpm (260-760 l/min). Not FM Approved

HMK-TO LOW PRESSURE 55 PSI VERSION. Same as HM-TO above, but operates at a lower pressure of approximately 55 psi (4 bar). Flow range is 70-180 gpm (260-680 l/min). Not FM Approved

HM-STO
HM-STOS
HML-STO
HML-STOS
HMK-STO
HMK-STOS
\$1125.00
3.5 lb (1.6kg)
10.00" (25.4cm)

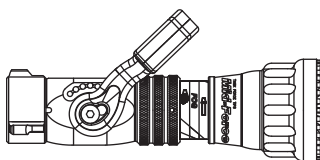


HM-STO MID-MATIC TIP/TWIST-OFF 100 PSI 1.5" NH (38mm) - Automatic pressure control with a flow capacity of 70-200 gpm (260-760 l/min). Includes patented twist slide-type valve for turbulence-free flow control, flush without shutting down and is lightweight hard coat anodized aluminum for maximum resistance to corrosion and wear. 1.5" NH (38mm) rigid rocker lug coupling is standard. May be used with a separate valve or playpipe. Ideal for break-and-extend operations. 1.5" NH (38mm) rigid rocker lug coupling is standard. FM Approved

HML-STO - LOW PRESSURE 75 PSI VERSION. Same as HM-STO above, but operates at a lower pressure of approximately 75 psi (5 bar). Flow range is 70-200 gpm (260-760 l/min). Not FM Approved

HMK-STO - LOW PRESSURE 55 PSI VERSION. Same as HM-STO above, but operates at a lower pressure of approximately 55 psi (4 bar). Flow range is 70-180 gpm (260-680 l/min). Not FM Approved

HM-V
HM-VS
HML-V
HML-VS
HMK-V
HMK-VS
\$1290.00
4.5 lb (2.1kg)
11.50" (29.2cm)

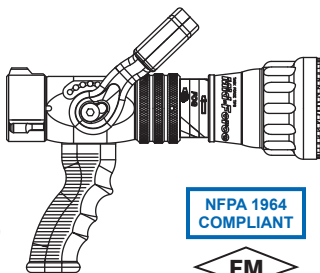


HM-V MID-MATIC NOZZLE 100 PSI 1.5" NH (38mm) - Automatic with a flow capacity of 70-200 gpm (260-760 l/min). Includes flush without shutting down, patented slide-type valve for turbulence-free flow control, six detent flow positions, and "Gasket Grabber" inlet screen. Lightweight hard coat anodized aluminum for maximum resistance to corrosion and wear. Rocker lug 1.5" NH (38mm) full-time swivel coupling is standard. FM Approved

HML-V - LOW PRESSURE 75 PSI VERSION. Same as HM-V above, but operates at a lower pressure of approximately 75 psi (5 bar). Flow range is 70-200 gpm (260-760 l/min) Not FM Approved.

HMK-V - LOW PRESSURE 55 PSI VERSION. Same as HM-V above, but operates at a lower pressure of approximately 55 psi (4 bar). Flow range is 70-180 gpm (260-680 l/min). Not FM Approved

HM-VPGI
HM-VPGIS
HML-VPGI
HML-VPGIS
HMK-VPGI
HMK-VPGIS
\$1290.00
4.8 lb (2.2kg)
11.50" (29.2cm)



HM-VPGI MID-MATIC W/GRIP 1.5" NH (38mm) - Automatic pressure control with a flow capacity of 70-200 gpm (260-760 l/min). Includes flush without shutting down, patented slide-type valve for turbulence-free flow control, six detent flow positions, and "Gasket Grabber" inlet screen. Lightweight hard coat anodized aluminum for maximum resistance to corrosion and wear. Pistol grip is mounted below the valve. 1.5" NH (38mm) full-time swivel rocker lug coupling is standard. FM Approved

HML-VPGI - LOW PRESSURE 75 PSI VERSION. Same as HM-VPGI above, but operates at a lower pressure of approximately 75 psi (5 bar). Flow range is 70-200 gpm (260-760 l/min). Not FM Approved

HMK-VPGI - LOW PRESSURE 55 PSI VERSION. Same as HM-VPGI above, but operates at a lower pressure of approximately 55 psi (4 bar). Flow range is 70-180 gpm (260-680 l/min). Not FM Approved

Folding Pistol Grip Kits with NFPA color inserts are available. See page 42 for ordering information.

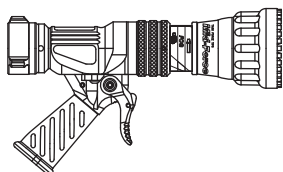
1.5" (38mm) MID-MATIC™ NOZZLE WITH IMPULSE™ TRIGGER VALVE SYSTEM 70 - 200 GPM (260 - 760 l/min)

Mid-Range Automatic

With a wide flow range of 70-200 gpm (260-760 l/min), the Mid-Matic series can be used on 1.5" (38mm), 1.75" (45mm) and 2" (52mm) hose. The Mid-Matic features flush without shutting down, your choice of molded rubber bumper with "power fog" teeth or stainless steel spinning teeth, "Gasket Grabber" inlet screen, trigger operated slide valve, and the rugged dependability you have come to expect from Task Force Tips. Mid-Matic Impulse nozzles are available with optional colored pistol grip (NFPA 1901 (A16.9.1)). All Mid-Matic Impulse nozzles accept the FJ-LX-HM or FJ-HM low-expansion or the FJ-MX-HM multi-expansion foam attachments.

S = Spinning Teeth L = Low Pressure 75 psi (5 bar) K = Low Pressure 55 psi (4 bar)

HM-TPGI
HM-TPGIS
HML-TPGI
HML-TPGIS
HMK-TPGI
HMK-TPGIS
\$1290.00
5.1 lb (2.3kg)
13.00" (33.0cm)



**NFPA 1964
COMPLIANT**

HM-TPGI MID-MATIC WITH IMPULSE TRIGGER VALVE SYSTEM 1.5" NH (38mm)
- Automatic pressure control with a flow capacity of 70-200 gpm (260-760 l/min). Includes flush without shutting down, trigger operated slide valve for turbulence-free flow control, and "Gasket Grabber" inlet screen. Lightweight hard coat anodized aluminum for maximum resistance to corrosion and wear. Pistol grip is mounted below the valve. 1.5" NH (38mm) full-time swivel rocker lug coupling is standard.

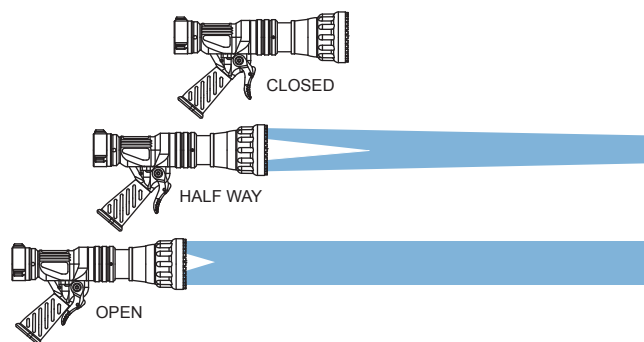
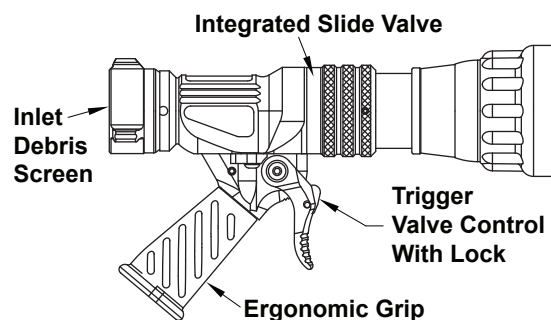
HML-TPGI - LOW PRESSURE 75 PSI VERSION MID-MATIC WITH IMPULSE TRIGGER VALVE SYSTEM. Same as HM-TPGI above, but operates at a lower pressure of approximately 75 psi (5 bar). Flow range is 70-200 gpm (260-760 l/min). Not FM Approved

HMK-TPGI - LOW PRESSURE 55 PSI VERSION MID-MATIC WITH IMPULSE TRIGGER VALVE SYSTEM. Same as HM-TPGI above, but operates at a lower pressure of approximately 55 psi (4 bar). Flow range is 70-180 gpm (260-680 l/min). Not FM Approved

FOLDING PISTOL GRIP IS NOT AVAILABLE ON THIS MODEL
COLORED GRIP OVERLAYS ARE AVAILABLE. SEE PAGE 210 FOR KITS.

IMPULSE™ TRIGGER VALVE SYSTEM

The innovative integration of a trigger actuator with TFT's globally recognized slide style of valve, provides complete nozzle operator flow control with only a single hand, allowing the other hand to consistently control stream pattern selection. The trigger controller operates smoothly and easily throughout the nozzle's rated flow and pressure range, and offers the ability to hold multiple valve positions at the operator's discretion. The unique ergonomic pistol grip compliments the trigger valve design and greatly reduces operator fatigue.



- Ergonomic Pistol Grip w/available color coding
- Trigger Valve Controller w/optional flow lock
- Integrated Slide Style Shut Off Valve
- Front Protective Bumper with Multiple Fog Tooth Designs

1.5" (38mm) MID-FORCE SERIES

70 - 200 GPM (265 - 760 l/min)

Dual Pressure Automatic

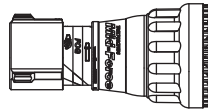
The wide flow range of 70-200 gpm (265-760 l/min) allows the Mid-Force to be used on 1.5" (38mm), 1.75" (45mm) and 2" (50mm) hose. The TFT Mid-Force is a truly rugged, dependable, and effective mid-range firefighting nozzle. This nozzle is equipped with a low pressure override which allows the nozzle to achieve greater flows at lower nozzle pressures. All nozzles are regulated to 100 psi ±15 psi (7 bar ±1 bar) or 75 psi ±15 psi (5 bar ±1 bar) according to NFPA #1964 flow requirements. It is adjustable from a straight stream to a dense fog pattern with your choice of molded rubber fog teeth for full-fill "power fog" pattern or stainless steel spinning teeth. Handle covers and pistol grips are available in NFPA colors to identify a nozzle with its discharge (NFPA 1901 (A.16.9.1)). All Mid-Force nozzles accept: the FJ-LX-HM, FJ-HM low-expansion, or the FJ-MX-HM multi-expansion foam attachments.

In the standard mode, the Mid-Force Nozzle maintains a 100 psi (7 bar) operating nozzle pressure (75psi / 5bar for low pressure version). The TFT high level of quality, engineered into all our products, allows this nozzle to meet the NFPA 1964 flow requirements for automatic nozzles. This gives you the desired ability to aggressively conduct a hard-hitting fire attack.

With a twist of the knob on the front of the nozzle, you switch to the low pressure mode, which immediately reduces the nozzle's operating pressure to around 55 psi (4 bar) (45psi / 3bar for low pressure version). This exclusive TFT feature provides you with the unique ability to change operating nozzle pressure depending on the situation, thereby allowing maximum flow at a lower nozzle pressure.

S = Spinning Teeth L = Low Pressure

HMD-TO
HMD-TOS
HMDL-TO
HMDL-TOS
\$1075.00
2.5 lb (1.1kg)
7.20" (18.3cm)

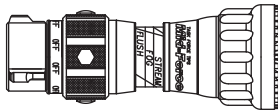


NFPA 1964
COMPLIANT

HMD-TO MID-FORCE TIP 1.5" NH (38mm) - Automatic pressure control with a flow capacity of 70-200 gpm (265-760 l/min) and flush without shutting down. Lightweight hard coat anodized aluminum for maximum resistance to corrosion and wear. Tip does not shut off and must be used with a separate valve or valved playpipe. Nozzle may be switched between standard 100 psi (7 bar) and low pressure. 1.5" NH (38mm) rigid rocker lug coupling is standard.

HMDL-TO LOW PRESSURE VERSION. Same as HMD-TO above, but operates at lower pressures of approximately 75 psi (5 bar) / 45 psi (3 bar).

HMD-STO
HMD-STOS
HMDL-STO
HMDL-STOS
\$1260.00
3.6 lb (1.6kg)
10.00" (25.4cm)

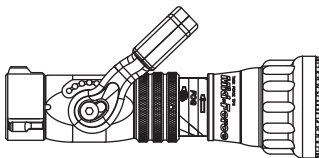


NFPA 1964
COMPLIANT

HMD-STO MID-FORCE TIP/TWIST-OFF 1.5" NH (38mm) - Automatic pressure control with a flow capacity of 70-200 gpm (265-760 l/min). Includes patented twist slide-type valve for turbulence-free flow control, and flush without shutting down. Lightweight hard coat anodized aluminum for maximum resistance to corrosion and wear. May be used with a separate valve or playpipe. Ideal for break-and-extend operations. Nozzle may be switched between standard 100 psi (7 bar) and low pressure. 1.5" NH (38mm) rigid rocker lug coupling is standard.

HMDL-STO LOW PRESSURE VERSION. Same as HMD-STO above, but operates at lower pressures of approximately 75 psi (5 bar) / 45 psi (3 bar).

HMD-V
HMD-VS
HMDL-V
HMDL-VS
\$1480.00
4.5 lb (2.1kg)
11.50" (29.2cm)

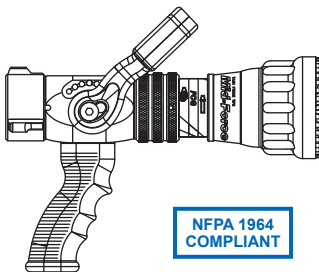


NFPA 1964
COMPLIANT

HMD-V MID-FORCE NOZZLE 1.5" NH (38mm) - Automatic with a flow capacity of 70-200 gpm (265-760 l/min). Includes flush without shutting down, patented slide-type valve for turbulence-free flow control, six detent flow positions, and "Gasket Grabber" inlet screen. Lightweight hard coat anodized aluminum for maximum resistance to corrosion and wear. Nozzle may be switched between standard 100 psi (7 bar) and low pressure. Rocker lug 1.5" NH (38mm) full-time swivel is standard.

HMDL-V LOW PRESSURE VERSION. Same as HMD-V above, but operates at lower pressures of approximately 75 psi (5 bar) / 45 psi (3 bar).

HMD-VPGI
HMD-VPGIS
HMDL-VPGI
HMDL-VPGIS
\$1480.00
4.9 lb (2.2kg)
11.50" (29.2cm)

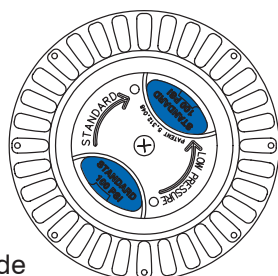


NFPA 1964
COMPLIANT

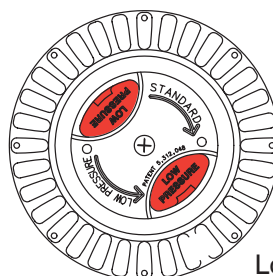
HMD-VPGI MID-FORCE W/GRIP 1.5" NH (38mm) - Automatic pressure control with a flow capacity of 70-200 gpm (265-760 l/min). Includes flush without shutting down, patented slide-type valve for turbulence-free flow control, six detent flow positions, and "Gasket Grabber" inlet screen. Lightweight hard coat anodized aluminum for maximum resistance to corrosion and wear. Pistol grip is mounted below the valve. Nozzle may be switched between standard 100 psi (7 bar) and low pressure. 1.5" NH (38mm) swivel rocker lug coupling is standard.

HMDL-VPGI LOW PRESSURE VERSION. Same as HMD-VPGI above, but operates at lower pressures of approximately 75 psi (5 bar) / 45 psi (3 bar).

Folding Pistol Grip Kits with NFPA color inserts are available. See page 42 for ordering information.



Knob In
Standard Operating Mode



Knob In
Low Pressure Mode

INITIAL ATTACK PRODUCTS

1.5" (38mm) MID-FORCE™ NOZZLE WITH IMPULSE™ TRIGGER VALVE SYSTEM 70 - 200 GPM (265 - 760 l/min)

Dual Pressure Automatic

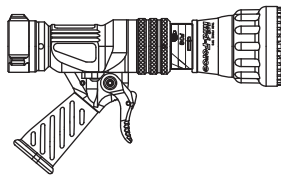
The wide flow range of 70-200 gpm (265-760 l/min) allows the Mid-Force Impulse™ With Trigger Valve System to be used on 1.5" (38mm), 1.75" (45mm) and 2" (50mm) hose. The TFT Mid-Force Impulse is a truly rugged, dependable, and effective mid-range firefighting nozzle. This nozzle is equipped with a low pressure override which allows the nozzle to achieve greater flows at lower nozzle pressures. All nozzles are regulated to 100 psi ±15 psi (7 bar ±1 bar) or 75 psi ±15 psi (5 bar ±1 bar) according to NFPA 1964 flow requirements. It is adjustable from a straight stream to a dense fog pattern with your choice of molded rubber fog teeth for full-fill "power fog" pattern or stainless steel spinning teeth. Pistol grips are available in NFPA colors to identify a nozzle with its discharge (NFPA 1901 A.16.9.1). All Mid-Force Impulse nozzles accept: the FJ-LX-HM, FJ-HM low-expansion, or the FJ-MX-HM multi-expansion foam attachments.

In the standard mode, the Mid-Force Impulse Nozzle maintains a 100 psi (7 bar) operating nozzle pressure (75 psi / 5 bar for low pressure version). The TFT high level of quality, engineered into all our products, allows this nozzle to meet the NFPA 1964 flow requirements for automatic nozzles. This gives you the desired ability to aggressively conduct a hard-hitting fire attack.

With a twist of the knob on the front of the nozzle, you switch to the low pressure mode, which immediately reduces the nozzle's operating pressure to around 55 psi (4 bar) (45 psi / 3 bar for low pressure version). This exclusive TFT feature provides you with the unique ability to change operating nozzle pressure depending on the situation, thereby allowing maximum flow at a lower nozzle pressure.

S = Spinning Teeth L = Low Pressure

HMD-TPGI
HMD-TPGIS
HMDL-TPGI
HMDL-TPGIS
\$1480.00
5.1 lb (2.3kg)
13.00" (33.0cm)



NFPA 1964
COMPLIANT

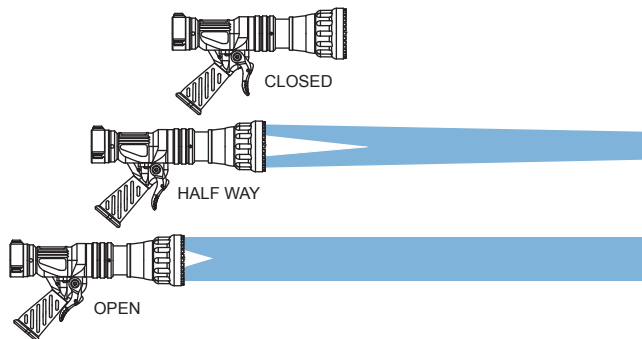
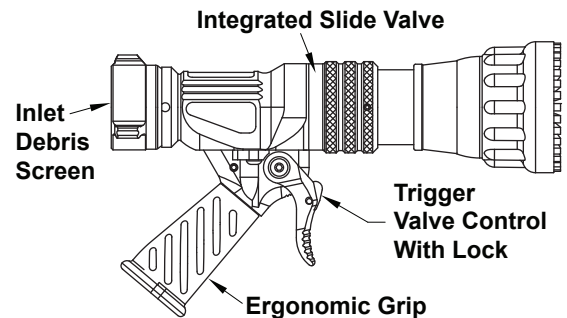
HMD-TPGI MID-FORCE WITH IMPULSE TRIGGER VALVE SYSTEM 1.5" NH (38mm) - Automatic pressure control with a flow capacity of 70-200 gpm (265-760 l/min). Includes flush without shutting down, trigger operated slide valve for turbulence-free flow control, and "Gasket Grabber" inlet screen. Lightweight hard coat anodized aluminum for maximum resistance to corrosion and wear. Pistol grip is mounted below the valve. Nozzle may be switched between standard 100 psi (7 bar) and low pressure. 1.5" NH (38mm) swivel rocker lug coupling is standard.

HMDL-TPGI LOW PRESSURE VERSION. MID-FORCE WITH IMPULSE TRIGGER VALVE SYSTEM Same as HMD-TPGI above, but operates at lower pressures of approximately 75 psi (5 bar) / 45 psi (3 bar).

FOLDING PISTOL GRIP IS NOT AVAILABLE ON THIS MODEL
COLORED GRIP OVERLAYS ARE AVAILABLE. SEE PAGE 210 FOR KITS.

IMPULSE™ TRIGGER VALVE SYSTEM

The innovative integration of a trigger actuator with TFT's globally recognized slide style of valve, provides complete nozzle operator flow control with only a single hand, allowing the other hand to consistently control stream pattern selection. The trigger controller operates smoothly and easily throughout the nozzle's rated flow and pressure range, and offers the ability to hold multiple valve positions at the operator's discretion. The unique ergonomic pistol grip complements the trigger valve design and greatly reduces operator fatigue.



- Ergonomic Pistol Grip w/available color coding
- Trigger Valve Controller w/optional flow lock
- Integrated Slide Style Shut Off Valve
- Front Protective Bumper with Multiple Fog Tooth Designs

1.5" (38mm) HANDLINE SERIES

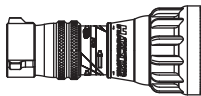
95-300 GPM (360-1150 l/min) or
95-250 GPM (360-950 l/min) low pressure

Automatic

A TFT Handline is all conventional handline sizes in one. The wide flow range of 95-300 gpm (360-1150 l/min) allows the Handline to be used on many hose sizes, and this series is an excellent choice for 1.5", 1.75", and 2.0" (38mm, 45mm and 50mm) attack lines. The Handline features flush without shutdown, molded rubber bumper with "power fog" teeth, TFT's patented stainless steel slide valve, and optional colored pistol grip and handle covers (NFPA 1901 (A.16.9.1)). All TFT Handlines accept the FJ-H low-expansion or the FJ-HMX multi-expansion foam attachments.

L = Low Pressure 75 psi (5 bar) K = Low Pressure 55 psi (4 bar)

H-TO
HL-TO
HK-TO
\$1065.00
4.4 lb (2.0kg)
9.75" (23.8cm)

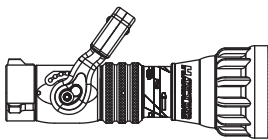


H-TO HANDLINE TIP 1.5" NH (38mm) - Nozzle for use with separate valve or valved playpipe. Automatic 100 psi (7 bar) pressure control with a flow capacity of 95-300 gpm (360-1150 l/min). Includes flush without shutting down and molded rubber teeth for full-fill "power fog" pattern. Lightweight hard coat anodized aluminum materials for maximum resistance to corrosion and wear. Tip does not shut off and must be used with a separate valve or valved playpipe. 1.5" NH (38mm) rigid rocker lug coupling is standard.

HL-TO HANDLINE TIP LOW PRESSURE VERSION - Same as H-TO above, but operates at a low pressure of approximately 75 psi (5 bar). Flow range 95-250 gpm (360-950 l/min).

HK-TO HANDLINE TIP LOW PRESSURE VERSION - Same as H-TO above, but operates at a low pressure of approximately 55 psi (4 bar). Flow range 95-225 gpm (360-850 l/min).

H-V
HL-V
HK-V
\$1445.00
6.8 lb (3.1kg)
13.00" (33.0cm)

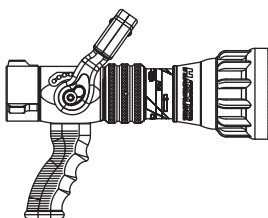


H-V HANDLINE NOZZLE 1.5" NH (38mm) - Automatic 100 psi (7 bar) pressure control with a flow capacity of 95-300 gpm (360-1150 l/min). Includes flush without shutting down, patented slide-type valve for turbulence-free flow control, six detent flow positions, molded rubber teeth for full-fill "power fog", and "Gasket Grabber" inlet screen. Lightweight hard coat anodized aluminum materials for maximum resistance to corrosion and wear. 1.5" NH (38mm) rocker lug swivel coupling is standard.

HL-V HANDLINE NOZZLE LOW PRESSURE VERSION - Same as H-V above, but operates at a low pressure of approximately 75 psi (5 bar). Flow range 95-250 gpm (360-950 l/min).

HK-V HANDLINE NOZZLE LOW PRESSURE VERSION - Same as H-V above, but operates at a low pressure of approximately 55 psi (4 bar). Flow range 95-225 gpm (360-850 l/min).

H-VPGI
HL-VPGI
HK-VPGI
\$1445.00
7.0 lb (3.2kg)
13.00" (33.0cm)

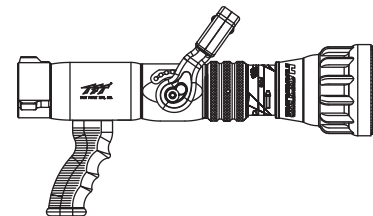


H-VPGI HANDLINE W/GRIP 1.5" NH (38mm) - Automatic 100 psi (7 bar) pressure control with a flow capacity of 95-300 gpm (360-1150 l/min). Includes flush without shutting down, patented slide-type valve for turbulence-free flow control, six detent flow positions, molded rubber teeth for full-fill "power fog", and "Gasket Grabber" inlet screen. Pistol grip is mounted below the valve. Lightweight hard coat anodized aluminum materials for maximum resistance to corrosion and wear. 1.5" NH (38mm) rocker lug full-time swivel coupling is standard.

HL-VPGI HANDLINE W/GRIP LOW PRESSURE VERSION - Same as H-VPGI above, but operates at a low pressure of approximately 75 psi (5 bar). Flow range 95-250 gpm (360-950 l/min).

HK-VPGI HANDLINE W/GRIP LOW PRESSURE VERSION - Same as H-VPGI above, but operates at a low pressure of approximately 55 psi (4 bar). Flow range 95-225 gpm (360-850 l/min).

H-VPG
HL-VPG
HK-VPGI
\$1445.00
8.7 lb (3.9kg)
17.12" (43.5cm)



H-VPG HANDLINE LONG GRIP 1.5" NH (38mm) - Automatic 100 psi (7 bar) pressure control with a flow capacity of 95-300 gpm (360-1150 l/min). Includes flush without shutting down, patented slide-type valve for turbulence-free flow control, six detent flow positions, molded rubber teeth for full-fill "power fog", and "Gasket Grabber" inlet screen. Pistol grip is mounted behind the valve. Lightweight hard coat anodized aluminum materials for maximum resistance to corrosion and wear. 1.5" NH (38mm) rocker lug full-time swivel is standard.

HL-VPG HANDLINE LONG GRIP LOW PRESSURE VERSION - Same as H-VPG above, but operates at a low pressure of approximately 75 psi (5 bar). Flow range 95-250 gpm (360-950 l/min).

HK-VPG HANDLINE LONG GRIP LOW PRESSURE VERSION - Same as H-VPG above, but operates at a low pressure of approximately 55 psi (4 bar). Flow range 95-225 gpm (360-850 l/min).

Folding Pistol Grip Kits with NFPA color inserts are available.
See page 42 for ordering information.

2.5" (64mm) HANDLINE SERIES

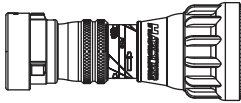
95-300 GPM (360-1150 l/min) or
95-250 GPM (360-950 l/min) low pressure

Automatic

A TFT Handline is all conventional handline sizes in one. The wide flow range of 95-300 gpm (360-1150 l/min) allows the Handline to be used on many hose sizes, and this series is an excellent choice for 2.5" (64mm) and 3" (76mm) attack lines. The Handline features flush without shutdown, molded rubber bumper with "power fog" teeth, TFT's patented stainless steel slide valve, optional color-coded pistol grip, handle covers (NFPA 1901 (A.16.9.1) or rubber coated playpipe handles). All TFT Handlines accept the FJ-H low-expansion or the FJ-HMX multi-expansion foam attachments.

L = Low Pressure 75 psi (5 bar) K = Low Pressure 55 psi (4 bar)

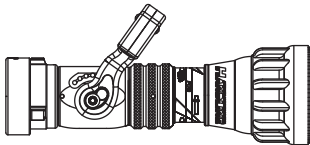
H-2TO
HL-2TO
\$1140.00
5.0 lb (2.3kg)
10.25" (26.0cm)



H-2TO HANDLINE TIP 2.5" NH (65mm) - Nozzle for use with separate valve or valved playpipe. Automatic 100 psi (7 bar) pressure control with a flow capacity of 95-300 gpm (360-1150 l/min). Includes flush without shutting down, molded rubber teeth for full-fill "power fog" pattern, and turbulence control. Lightweight hard coat anodized aluminum materials for maximum resistance to corrosion and wear. Tip does not shut off and must be used with a separate valve or valved playpipe. 2.5" NH (65mm) rigid rocker lug coupling is standard.

HL-2TO HANDLINE TIP LOW PRESSURE VERSION - Same as H-2TO above, but operates at a low pressure of approximately 75 psi (5 bar). Flow range 95-250 gpm (360-950 l/min).

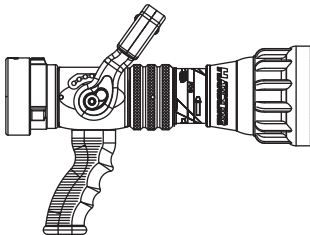
H-2V
HL-2V
\$1520.00
7.3 lb (3.3kg)
13.50" (34.3cm)



H-2V HANDLINE NOZZLE 2.5" NH (64mm) - Automatic 100 psi (7 bar) pressure control with a flow capacity of 95-300 gpm (360-1150 l/min). For direct connection to 2.5" (64mm) hose line. Includes flush without shutting down, patented slide-type valve for turbulence-free flow control, six detent flow positions, molded rubber teeth for full-fill "power fog", and "Gasket Grabber" inlet screen. Lightweight hard coat anodized aluminum materials for maximum resistance to corrosion and wear. 2.5" NH (64mm) rocker lug full-time swivel coupling is standard.

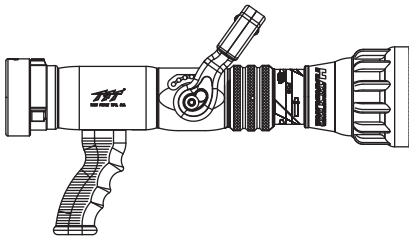
HL-2V HANDLINE NOZZLE LOW PRESSURE VERSION - Same as H-2V above, but operates at a low pressure of approximately 75 psi (5 bar). Flow range 95-250 gpm (360-950 l/min).

H-2VPGI
HL-2VPGI
HK-2VPGI
\$1520.00
7.0 lb (3.2kg)
13.50" (34.3cm)



H-2VPGI or H-2VPG HANDLINE W/GRIP 2.5" NH (64mm) - Automatic 100 psi (7 bar) pressure control with a flow capacity of 95-300 gpm (360-1150 l/min). Includes flush without shutting down, patented slide-type valve for turbulence-free flow control, six detent flow positions, molded rubber teeth for full-fill "power fog", and "Gasket Grabber" inlet screen. Pistol grip is mounted below the valve (H-2VPGI) or behind the valve (H-2VPG). Lightweight hard coat anodized aluminum materials for maximum resistance to corrosion and wear. 2.5" NH (64mm) rocker lug full-time swivel coupling is standard.

H-2VPG
HL-2VPG
\$1520.00
8.5 lb (3.8kg)
18.40" (46.7cm)

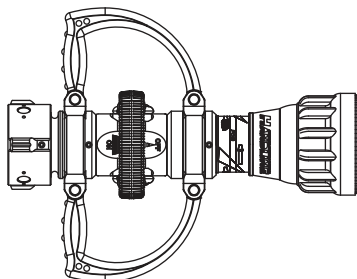


HL-2VPGI or HL-2VPG HANDLINE NOZZLE LP VERSION - Same as H-2VPGI or H-2VPG above, but operates at a low pressure of approximately 75 psi (5 bar). Flow range 95-250 gpm (360-950 l/min).

HK-2VPGI is 95-225 gpm @ 55 psi (4 bar).

Folding Pistol Grip Kits with NFPA color inserts are available.
See page 42 for ordering information.

H-2BLITZ
HL-2BLITZ
\$1770.00
10.2 lb (4.6kg)
15.12" (38.4cm)



H-2BLITZ HANDLINE PLAYPIPE 2.5" NH (64mm) - Smallest, most compact nozzle/playpipe combination available for use on 2.5" (64mm) or 3" (75mm) lines. Automatic 100 psi (7 bar) pressure control with a flow capacity of 95-300 gpm (360-1150 l/min). Includes flush without shutting down, patented slide-type valve for turbulence-free flow control, six detent flow positions, molded rubber teeth for full-fill "power fog" pattern, and "Gasket Grabber" inlet screen. Lightweight hard coat anodized aluminum materials for maximum resistance to corrosion and wear. Nozzle is attached to valve and is not removable. Rubber coated handles are designed to reduce fatigue. 2.5" NH (64mm) rocker lug full-time swivel coupling is standard.

HL-2BLITZ HANDLINE PLAYPIPE LOW PRESSURE VERSION - Same as H-2BLITZ above, but operates at a low pressure of approximately 75 psi (5 bar). Flow range 95-250 gpm (360-950 l/min).

1.5" (38mm) DUAL-FORCE® SERIES

95-300 GPM (360-1150 l/min) or
95-250 GPM (360-950 l/min) low pressure

Dual Pressure Automatic

A TFT Dual Force is all conventional handline sizes in one. The wide flow range of 95-300 gpm (360-1150 l/min) allows the Dual-Force to be used on many hose sizes, and this series is an excellent choice for 1.5", 1.75", and 2.0" (38mm, 45mm and 50mm) attack lines. The Handline features flush without shutdown, molded rubber bumper with "power fog" teeth, TFT's patented stainless steel slide valve, and optional colored pistol grip and handle covers (NFPA 1901 (A.16.9.1)). All TFT Handlines accept the FJ-H low-expansion or the FJ-HMX multi-expansion foam attachments.

In the standard mode, the Dual-Force Nozzle maintains a 100 psi / 7 bar operating nozzle pressure (75 psi / 5 bar on low pressure version) and meets the NFPA 1964 flow requirements for automatic nozzles. With a twist of the knob on the front of the nozzle, you can switch the Dual-Force to the low-pressure mode, which immediately reduces the nozzle's operating pressure to around 55 psi / 4 bar (approximately 45 psi / 3 bar in low pressure version).

L = Low Pressure

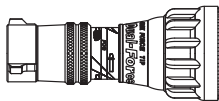
HD-TO

HDL-TO

\$1190.00

4.4 lb (2.0kg)

9.75" (23.8cm)



HD-TO DUAL-FORCE TIP 1.5" NH (38mm) - Automatic pressure control with a flow capacity of 95-300 gpm (360-1150 l/min). Includes flush without shutting down, molded rubber teeth for full-fill "power fog", and turbulence-free flow control. Lightweight hard coat anodized aluminum materials for maximum resistance to corrosion and wear. 1.5" NH (38mm) rigid rocker lug coupling is standard. Tip does not shut off and must be used with a separate valve or valved playpipe. Nozzle may be switched between standard 100 psi (7 bar) and low pressure.

HDL-TO LOW PRESSURE VERSION. Same as HD-TO above, but operates at a lower pressure of approximately 75 psi (5 bar) / 45 psi (3 bar). Flow capacity 95-250 gpm (360-950 l/min) @ 75 psi (5 bar).

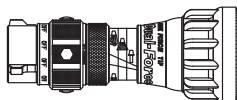
HD-STO

HDL-STO

\$1245.00

5.3 lb (2.4kg)

11.00" (28.0cm)



HD-STO DUAL-FORCE TIP/TWIST-OFF 1.5" NH (38mm) - Automatic pressure control with a flow capacity of 95-300 gpm (360-1150 l/min). Includes flush without shutting down, molded rubber teeth for full-fill "power fog", and twist slide-type valve for turbulence-free flow control. May be used with a separate valve or playpipe. Ideal for break-and-extend operations.

Lightweight hard coat anodized aluminum materials for maximum resistance to corrosion and wear. 1.5" NH (38mm) rigid rocker lug coupling is standard. Nozzle may be switched between standard 100 psi (7 bar) and low pressure.

HDL-STO LOW PRESSURE VERSION. Same as HD-STO above, but operates at a lower pressure of approximately 75 psi (5 bar) / 45 psi (3 bar). Flow capacity 95-250 gpm (360-950 l/min) @ 75 psi (5 bar).

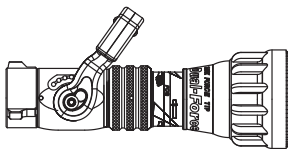
HD-V

HDL-V

\$1570.00

6.6 lb (3.0kg)

13.00" (38.0cm)



HD-V DUAL-FORCE NOZZLE 1.5" NH (38mm) - Automatic pressure control with a flow capacity of 95-300 gpm (360-1150 l/min). Includes flush without shutting down, patented slide-type valve for turbulence-free flow control, six detent flow positions, molded rubber teeth for full-fill "power fog", and "Gasket Grabber" inlet screen. Lightweight hard coat anodized aluminum materials for maximum resistance to corrosion and wear. 1.5" NH (38mm) rocker lug full-time swivel coupling is standard. Nozzle may be switched between standard 100 psi (7 bar) and low pressure.

HDL-V LOW PRESSURE VERSION. Same as HD-V above, but operates at a lower pressure of approximately 75 psi (5 bar) / 45 psi (3 bar). Flow capacity 95-250 gpm (360-950 l/min) @ 75 psi (5 bar).

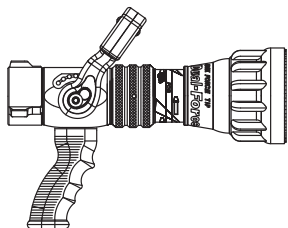
HD-VPGI

HDL-VPGI

\$1570.00

7.0 lb (3.2kg)

13.00" (33.0cm)



HD-VPGI or HD-VPG DUAL-FORCE W/GRIP 1.5" NH (38mm) - Automatic pressure control with a flow capacity of 95-300 gpm (360-1150 l/min). Includes flush without shutting down, patented slide-type valve for turbulence-free operator flow control, six detent flow positions, molded rubber teeth for full-fill "power fog", and "Gasket Grabber" inlet screen. Pistol grip is mounted below the valve (HD-VPGI), or behind the valve (HD-VPG). Lightweight hard coat anodized materials for maximum resistance to corrosion and wear. 1.5" NH (38mm) rocker lug full-time swivel coupling is standard. Nozzle may be switched between standard 100 psi (7 bar) and low pressure.

Folding Pistol Grip Kits with NFPA color inserts are available. See page 42 for ordering information.

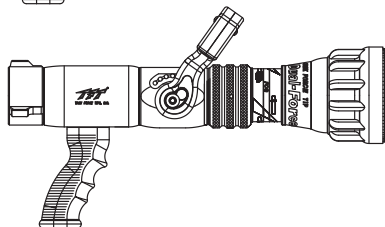
HD-VPG

HDL-VPG

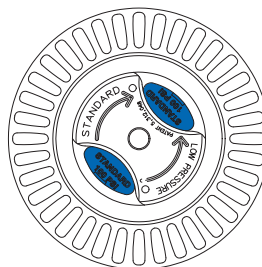
\$1570.00

8.7 lb (3.9kg)

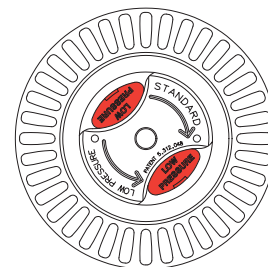
17.12" (43.5cm)



HDL-VPGI or HDL-VPG LOW PRESSURE VERSION. Same as HD-VPGI or HD-VPG above, but operates at a lower pressure of approximately 75 psi (5 bar) / 45 psi (3 bar). Flow capacity 95-250 gpm (360-950 l/min) @ 75 psi (5 bar).



Knob In
Standard Operating Mode



Knob In
Low Pressure Mode

2.5" (64mm) DUAL-FORCE® SERIES

95-300 GPM (360-1150 l/min) or
95-250 GPM (360-950 l/min) low pressure

Dual Pressure Automatic

A TFT Dual-Force is all conventional handline sizes in one. The wide flow range of 95-300 gpm (360-1150 l/min) allows the nozzle to be used on 2.5" and 3" (64 & 76mm) attack lines. The Dual-Force features flush without shutting down, molded rubber bumper with "power fog" teeth, TFT's patented stainless steel slide valve, the unique low pressure override which allows the nozzle to achieve greater flows at lower nozzle pressures, and an optional color-coded pistol grip, handle covers (NFPA 1901 (A.16.9.1) or rubber coated playpipe handles. All TFT Handlines accept the FJ-H low-expansion or the FJ-HMX multi-expansion foam attachments.

In the standard mode, the Dual-Force Nozzle maintains a 100 psi / 7 bar operating nozzle pressure (75 psi / 5 bar on low pressure version) and meets the NFPA 1964 flow requirements for automatic nozzles. With a twist of the knob on the front of the nozzle, you can switch the Dual-Force to the low-pressure mode, which immediately reduces the nozzle's operating pressure to around 55 psi / 4 bar (approximately 45 psi / 3 bar in low pressure version).

L = Low Pressure

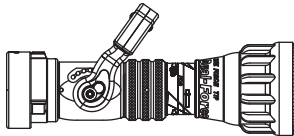
HD-2TO
HDL-2TO
\$1265.00
3.5 lb (1.6kg)
10.50" (26.7cm)



HD-2TO DUAL-FORCE TIP 2.5" NH (64mm) - Automatic pressure control with a flow capacity of 95-300 gpm (360-1150 l/min). Includes flush without shutting down, molded rubber teeth for full-fill "power fog", and turbulence-free flow control. Lightweight hard coat anodized aluminum materials for maximum resistance to corrosion and wear. 2.5" NH (64mm) rigid rocker lug coupling is standard. Tip does not shut off and must be used with a separate valve or valved playpipe. Nozzle may be switched between standard 100 psi (7 bar) and low pressure.

HDL-2TO LOW PRESSURE VERSION. Same as HD-2TO above, but operates at a lower pressure of approximately 75 psi (5 bar) / 45 psi (3 bar). Flow capacity 95-250 gpm (360-950 l/min) @ 75 psi (5 bar).

HD-2V
HDL-2V
\$1645.00
7.4 lb (3.4kg)
13.50" (34.3cm)

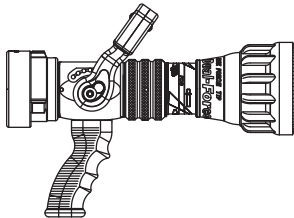


HD-2V DUAL-FORCE NOZZLE 2.5" NH (64mm) - Automatic pressure control with a flow capacity of 95-300 gpm (360-1150 l/min). Includes flush without shutting down, patented slide-type valve for turbulence-free flow control, six detent flow positions, molded rubber teeth for full-fill "power fog", and "Gasket Grabber" inlet screen. Lightweight hard coat anodized aluminum materials for maximum resistance to corrosion and wear. 2.5" NH (64mm) rocker lug full-time swivel coupling is standard. Nozzle may be switched between

standard 100 psi (7 bar) and low pressure.

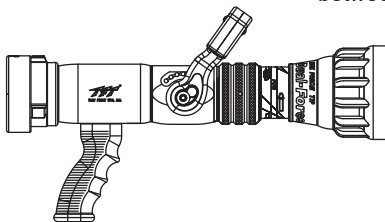
HDL-2V LOW PRESSURE VERSION. Same as HD-2V above, but operates at a lower pressure of approximately 75 psi (5 bar) / 45 psi (3 bar). Flow capacity 95-250 gpm (360-950 l/min) @ 75 psi (5 bar).

HD-2VPGI
HDL-2VPGI
\$1645.00
7.0 lb (3.2kg)
13.50" (34.3cm)



HD-2VPGI or HD-2VPG DUAL-FORCE W/GRIP 2.5" NH (64mm) - Automatic pressure control with a flow capacity of 95-300 gpm (360-1150 l/min). Includes flush without shutting down, patented slide-type valve for turbulence-free flow control, six detent flow positions, molded rubber teeth for full-fill "power fog", and "Gasket Grabber" inlet screen. Pistol grip is mounted below valve (HD-2VPGI), or behind the valve (HD-2VPG). Lightweight hard coat anodized aluminum materials for maximum resistance to corrosion and wear. 2.5" NH (64mm) rocker lug full-time swivel coupling is standard. Nozzle may be switched between standard 100 psi (7 bar) and low pressure.

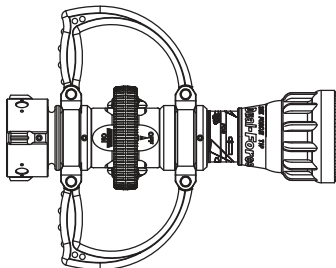
HD-2VPG
HDL-2VPG
\$1645.00
9.0 lb (4.1kg)
18.40" (46.7cm)



HDL-2VPG or HDL-2VPGI LOW PRESSURE VERSION. Same as HD-2VPGI or HD-2VPG above, but operates at a lower pressure of approximately 75 psi (5 bar) / 45 psi (3 bar). Flow capacity 95-250 gpm (360-950 l/min) @ 75 psi (5 bar).

Folding Pistol Grip Kits with NFPA color inserts are available. See page 42 for ordering information.

HD-2BLITZ
HDL-2BLITZ
\$1895.00
10.2 lb (4.6kg)
15.12" (38.4cm)

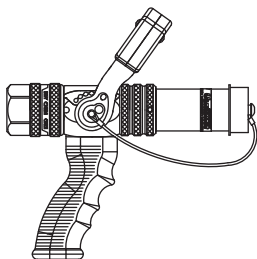


HD-2BLITZ DUAL-FORCE PLAYPIPE 2.5" NH (64mm) - Nozzle/playpipe combination available for use on 2.5" (64mm) or 3" (76mm) lines. Automatic 100 psi (7 bar) pressure control with a flow capacity of 95-300 gpm (360-1150 l/min). Includes flush without shutting down, patented slide-type valve for turbulence-free flow control, six detent flow positions, molded rubber teeth for full-fill "power fog" pattern, and "Gasket Grabber" inlet screen. Lightweight hard coat anodized aluminum materials for maximum resistance to corrosion and wear. Nozzle is attached to valve and is not removable. Rubber coated handles are designed to reduce fatigue. 2.5" NH (64mm) rocker lug full-time swivel coupling is standard. Nozzle may be switched between standard 100 psi (7 bar) and low pressure.

HDL-2BLITZ LOW PRESSURE VERSION. Same as HD-2BLITZ above, but operates at a lower pressure of approximately 75 psi (5 bar) / 45 psi (3 bar). Flow capacity 95-250 gpm (360-950 l/min) @ 75 psi (5 bar).

SPECIALTY NOZZLES

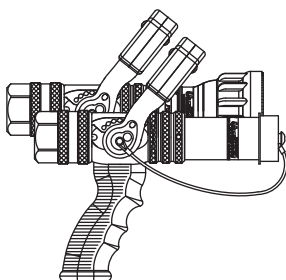
BTFT-DC5
BTFT-DC5-ND
\$560.00
 2.1 lb (1.0kg)
 8.00" (20.3cm)



BTFT-DC5 DRY CHEM NOZZLE 5#/SEC 1.0" NPT (25mm) - The dry chemical nozzle is designed for an application rate of 5 pounds per second (2.3kg/sec), utilizes the same slide-valve design as used for water application and a special front end designed for dry chemicals. The front end consists of the valve seat, a set of straightening fins, a straight through barrel section, and is designed to withstand the abrasive impact of the dry chemical agent. The nozzle operator can select from six valve settings to flow an appropriate rate of dry chemical agent up to the limit of the system. Effective reach of the cloud is 75 feet (23m) at full flow and proportionately less at partial valve settings. There is no adjustment of pattern shape. 1.0" NPT (25mm) swivel inlet is standard.

BTFT-DC5-ND - Same as above but with 1.0" NH (25mm) swivel inlet.

B-DUAL
B-DUAL-ND
\$1860.00
 3.0 lb (1.4kg)
 9.00" (22.9cm)



B-DUAL DUAL AGENT NOZZLE 1.0" NPT (25mm) SWIVEL INLETS The nozzle for use with water or AFFF is identical to the B-BH (page 31) TFT ULTIMATIC nozzle with the exception of the pipe thread inlet. It has fully automatic pressure control regulated to approximately 100 psi (7 bar) throughout the flow range of 10-125 gpm (40-500 l/min). Accepts the FJ-U FoamJet attachment. Mounted with BTFT-DC5 on single pistol grip.

B-DUAL-ND - Same as above but with 1.0" NH (25mm) swivel inlets.

B-DC1040BC
 (not shown)
\$1850.00

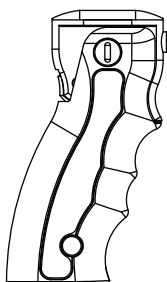
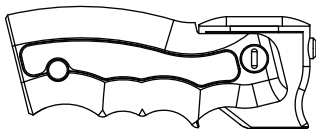
B-DC1040BC DUAL AGENT NOZZLE 1.0" NH (25mm) INLETS The nozzle for use with water or AFFF is identical to the DS1040BC (page 45) TFT Bubble Cup. (Nozzle is not pictured.)

Folding Pistol Grip Kits with NFPA color inserts are available. See page 42 for ordering information.

FOLDING PISTOL GRIP

FOLDING PISTOL GRIP KIT – This space-saving, folding pistol grip will take up less space and allow the TFT nozzle to fit into tight crosslays and hose beds. It deploys quickly and easily, locking in place automatically. When ready to stow, simply press the lock release button and fold it back. Pistol grip is machined from aluminum alloy and hard coat anodized for durability and corrosion resistance. Pistol grip is black with white Scotchlite reflective inserts. Other NFPA Scotchlite color code inserts are available on request. Fits all TFT nozzles delivered after 03/01/2001. New nozzles may be ordered with folding pistol grip installed at the factory.

HM792-KIT
\$240.00
 1.7 lb (0.7kg)
 8.50" (21.6cm)



HM792-KIT comes standard with a white Scotchlite Insert.

When ordered for an existing nozzle.

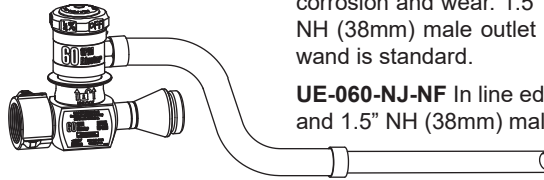
When Ordered With a New Nozzle

HM792-DKIT	TWISTER, QuadraFog, Bubble Cup D- SERIES
HM792-FKIT	TWISTER, QuadraFog, Bubble Cup F- SERIES
HM792-FTKIT	FLIP-TIP SERIES
HM792-GKIT	G-FORCE SERIES
HM792-HKIT	HANDLINE / DUAL-FORCE SERIES / METRO 2
HM792-HMKIT	MIDMATIC / MID-FORCE SERIES / METRO 1 / VORTEX
HM792-JKIT	ThunderFog J-SERIES
HM792-UKIT	ULTIMATIC SERIES / METRO 0

In-line Foam Eductors

In line Foam Eductors have a metering head with easy-read knob for use with Class A foam at .25% and .5% and with ARC-AFFF foam at 1%, 3% and 6%. Your choice of extra large 36" (91cm) pickup hose with stainless steel wand or direct truck connect pickup hose are ideal for use with high viscosity foams. The meter head is equipped with a unique back flush push-button for fast cleaning, and is secured to the eductor body with a rugged disconnect. All controls are easy to use with gloves. Made of hard coat anodized aluminum for corrosion protection. The required inlet pressure is 200 psi (13.8 bar). The maximum allowable back pressure is 130 psi (8.9 bar).

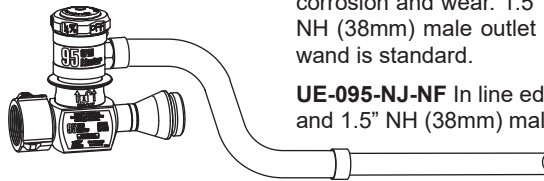
UE-060-NF
UE-060-NJ-NF
\$905.00
 4.5 lb (2.0kg)
 7.80"L x 6.5"H
 (19.8cm x 16.6cm)



UE-060-NF In line eductor 1.5" NH (38mm) - Flow capability is 60 gpm (227 l/min). Lightweight hard coat anodized aluminum material for maximum resistance to corrosion and wear. 1.5" NH (38mm) full-time swivel rocker lug inlet coupling and 1.5" NH (38mm) male outlet and extra large 36" (91 cm) pickup hose with stainless steel wand is standard.

UE-060-NJ-NF In line eductor 2.5" NH (64mm) full-time swivel rocker lug inlet coupling and 1.5" NH (38mm) male outlet is standard.

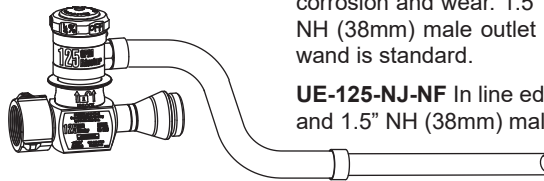
UE-095-NF
UE-095-NJ-NF
\$905.00
 4.5 lb (2.0kg)
 7.80"L x 6.5"H
 (19.8cm x 16.6cm)



UE-095-NF In line eductor 1.5" NH (38mm) - Flow capability is 95 gpm (360 l/min). Lightweight hard coat anodized aluminum material for maximum resistance to corrosion and wear. 1.5" NH (38mm) full-time swivel rocker lug inlet coupling and 1.5" NH (38mm) male outlet and extra large 36" (91 cm) pickup hose with stainless steel wand is standard.

UE-095-NJ-NF In line eductor 2.5" NH (64mm) full-time swivel rocker lug inlet coupling and 1.5" NH (38mm) male outlet is standard.

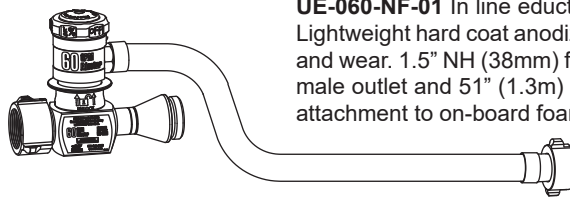
UE-125-NF
UE-125-NJ-NF
\$905.00
 4.5 lb (2.0kg)
 7.80"L x 6.5"H
 (19.8cm x 16.6cm)



UE-125-NF In line eductor 1.5" NH (38mm) - Flow capability is 125 gpm (473 l/min). Lightweight hard coat anodized aluminum material for maximum resistance to corrosion and wear. 1.5" NH (38mm) full-time swivel rocker lug inlet coupling and 1.5" NH (38mm) male outlet and extra large 36" (91 cm) pickup hose with stainless steel wand is standard.

UE-125-NJ-NF In line eductor 2.5" NH (64mm) full-time swivel rocker lug inlet coupling and 1.5" NH (38mm) male outlet is standard.

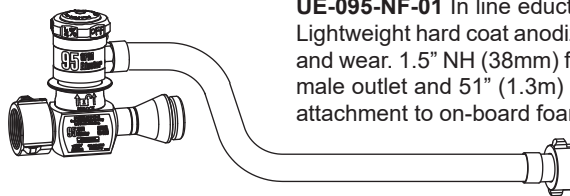
UE-060-NF-01
\$930.00
 4.5 lb (2.0kg)
 7.80"L x 6.5"H
 (19.8cm x 16.6cm)



UE-060-NF-01 In line eductor 1.5" NH (38mm) - Flow capability is 60 gpm (227 l/min). Lightweight hard coat anodized aluminum material for maximum resistance to corrosion and wear. 1.5" NH (38mm) full-time swivel rocker lug inlet coupling and 1.5" NH (38mm) male outlet and 51" (1.3m) pickup hose with a 1.0" NH (25mm) rocker lug coupling for attachment to on-board foam systems is standard.

CAM Lock fittings are available. Contact Customer Service

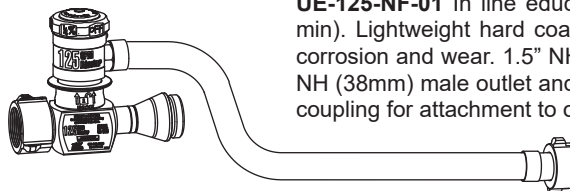
UE-095-NF-01
\$930.00
 4.5 lb (2.0kg)
 7.80"L x 6.5"H
 (19.8cm x 16.6cm)



UE-095-NF-01 In line eductor 1.5" NH (38mm) - Flow capability is 95 gpm (360 l/min). Lightweight hard coat anodized aluminum material for maximum resistance to corrosion and wear. 1.5" NH (38mm) full-time swivel rocker lug inlet coupling and 1.5" NH (38mm) male outlet and 51" (1.3m) pickup hose with a 1.0" NH (25mm) rocker lug coupling for attachment to on-board foam systems is standard.

CAM Lock fittings are available. Contact Customer Service

UE-125-NF-01
\$930.00
 4.5 lb (2.0kg)
 7.80"L x 6.5"H
 (19.8cm x 16.6cm)



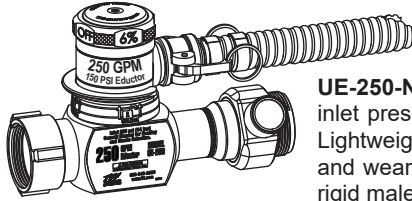
UE-125-NF-01 In line eductor 1.5" NH (38mm) - Flow capability is 125 gpm (473 l/min). Lightweight hard coat anodized aluminum material for maximum resistance to corrosion and wear. 1.5" NH (38mm) full-time swivel rocker lug inlet coupling and 1.5" NH (38mm) male outlet and 51" (1.3m) pickup hose with a 1.0" NH (25mm) rocker lug coupling for attachment to on-board foam systems is standard.

CAM Lock fittings are available. Contact Customer Service

250 gpm and 350 gpm in line Foam Educators have a metering head with easy-read knob for use with Class A foam at .5% and with Class B foam at 1%, 3%, and 6%. Large 8' industrial grade, UV resistant pickup hose is ideal for use with high viscosity foams. The meter head is equipped with a unique backflush push-button for fast cleaning, and is secured to the educator body with a rugged disconnect. Easy to read Go/NoGo gage on outlet shows back pressure on educator. All controls are easy to use with gloves. Made of hard coat anodized aluminum for corrosion protection.

L = Low Pressure 150 psi (10 bar)

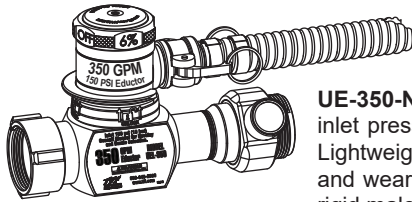
UE-250-NJ
UE-250L-NJ
\$1420.00
 13.0 lb (5.9kg)
 13.50"L x 8.5"H
 (34.3cm x 21.6cm)



UE-250-NJ In line educator 2.5"NH (65mm) – Flow capability is 250 gpm (946 l/min) with inlet pressure of 200 psi (14 bar). Maximum allowable back pressure is 130 psi (9 bar). Lightweight hard coat anodized aluminum material for maximum resistance to corrosion and wear. 2.5" NH (64mm) full-time swivel rocker lug inlet coupling and 2.5" NH (64mm) rigid male outlet is standard.

UE-250L-NJ In line educator 2.5"NH (64mm) – Flow capability is 250 gpm (946 l/min) with inlet pressure of 150 psi (10 bar). Maximum allowable back pressure is 80 psi. Lightweight hard coat anodized aluminum material for maximum resistance to corrosion and wear. 2.5" NH (64mm) full-time swivel rocker lug inlet coupling and 2.5" NH (64mm) rigid male outlet is standard.

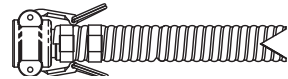
UE-350-NJ
UE-350L-NJ
\$1420.00
 13.0 lb (5.9kg)
 13.50"L x 8.5"H
 (34.3cm x 21.6cm)



UE-350-NJ In line educator 2.5"NH (64mm) – Flow capability is 350 gpm (1324 l/min) with inlet pressure of 200 psi (14 bar). Maximum allowable back pressure is 130 psi (9 bar). Lightweight hard coat anodized aluminum material for maximum resistance to corrosion and wear. 2.5" NH (64mm) full-time swivel rocker lug inlet coupling and 2.5" NH (64mm) rigid male outlet is standard.

UE-350L-NJ In line educator 2.5"NH (64mm) – Flow capability is 350 gpm (1324 l/min) with inlet pressure of 150 psi (10 bar). Maximum allowable back pressure is 80 psi (5.5 bar). Lightweight hard coat anodized aluminum material for maximum resistance to corrosion and wear. 2.5" NH (64mm) full-time swivel rocker lug inlet coupling and 2.5" NH (64mm) rigid male outlet is standard.

UE950
\$330.00
 3.5 lb (1.6kg)
 8.00" (2.4m)



CLEAR PICKUP HOSE – 1.0" (25mm) Cam lock connection on 1.25" x 8' (32mm x 2.4m) long clear hose. Flexible for easy storage.

1.0" (25mm) Bubble Cup® SERIES

10 & 24 or 10 & 40 GPM (25 & 37 or 37 & 150 l/min)

Dual Gallonage Foam Nozzle

The Bubble Cup, 1.0" (25mm) series, is a unique combination pattern nozzle capable of producing aspirated foam, conventional straight stream and a wide fog pattern. When the outer sleeve is in the retracted position, the nozzle operates as a standard dual gallonage straight stream/combination nozzle. (See Twister series.) To use the aspirating feature of the nozzle, the nozzle operator slides the outer sleeve forward, and by adjusting the pattern, has control of reach and aspiration. If an immediate wide fog pattern is needed, the sleeve can be retracted instantly to its regular position. The Bubble Cup, with its optional colored pistol grip and handle covers (NFPA 1901 (A.16.9.1), is a versatile nozzle with an extra measure of versatility not found in any other aspirating foam nozzle. (All nozzles shown retracted. Retracted and Extended lengths are listed.)

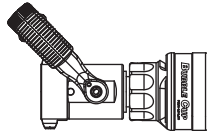
D1024BC
\$220.00
0.9 lb. (0.4kg)
4.00" - 6.00"
(10.2-15.2cm)



1.0" 10 and 24 GPM (25mm 37 and 90 l/min)

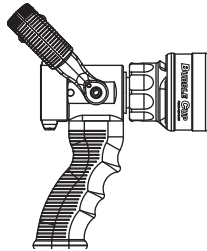
D1024BC BUBBLE CUP TIP 1.0" NH (25mm) - Dual gallonage Bubble Cup nozzle with two flow settings of 10 and 24 gpm @ 100 psi (37 and 90 l/min @ 7 bar). All lightweight materials, hard coat anodized aluminum. This tip only design has a twist "off" position for break-and-extend operations. 1.0" NH (25mm) rigid thread is standard.

DS1024BC
\$430.00
1.8 lb. (0.8kg)
6.37" - 8.37"
16.2-21.3cm



DS1024BC BUBBLE CUP NOZZLE 1.0" NH (25mm) - Dual gallonage Bubble Cup nozzle with two flow settings of 10 and 24 gpm @ 100 psi (37 and 90 l/min @ 7 bar). All lightweight materials, hard coat anodized aluminum. Quick-change rear valve seat, stainless steel shut-off ball and a twist "off" position for positive shut off. Rocker lug 1.0" NH (25mm) swivel is standard.

DS1024BCP
\$430.00
2.0 lb. (0.9kg)
6.37" - 8.37"
(16.2-21.3cm)



DS1024BCP BUBBLE CUP W/GRIP 1.0" NH (25mm) - Dual gallonage Bubble Cup nozzle with two flow settings of 10 and 24 gpm @ 100 psi (37 and 90 l/min @ 7 bar). All lightweight materials, hard coat anodized aluminum. Quick-change rear valve seat, stainless steel shut-off ball and a twist "off" position for positive shut off. Pistol grip is mounted below the valve. Rocker lug 1.0" NH (25mm) swivel is standard.

Folding Pistol Grip Kits with NFPA color inserts are available. See page 42 for ordering information.

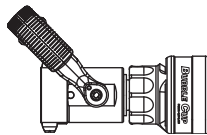
1.0" 10 and 40 GPM (25mm 37 and 150 l/min)

D1040BC
\$220.00
0.9 lb. (0.4kg)
4.00" - 6.00"
(10.2-15.2cm)



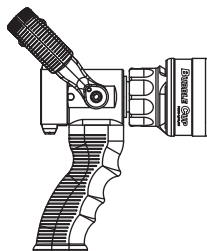
D1040BC BUBBLE CUP TIP 1.0" NH (25mm) - Dual gallonage Bubble Cup nozzle with two flow settings of 10 and 40 gpm @ 100 psi (37 and 150 l/min @ 7 bar). All lightweight materials, hard coat anodized aluminum. This tip only design has a twist "off" position for break-and-extend operations. 1.0" NH (25mm) rigid thread is standard.

DS1040BC
\$430.00
1.8 lb. (0.8kg)
6.37" - 8.37"
16.2-21.3cm



DS1040BC BUBBLE CUP NOZZLE 1.0" NH (25mm) - Dual gallonage Bubble Cup nozzle with two flow settings of 10 and 40 gpm @ 100 psi (37 and 150 l/min @ 7 bar). All lightweight materials, hard coat anodized aluminum. Quick-change rear valve seat, stainless steel shut-off ball and a twist "off" position for positive shut off. Rocker lug 1.0" NH (25mm) swivel is standard.

DS1040BCP
\$430.00
2.0 lb. (0.9kg)
6.37" - 8.37"
(16.2-21.3cm)



DS1040BCP BUBBLE CUP W/GRIP 1.0" NH (25mm) - Dual gallonage Bubble Cup nozzle with two flow settings of 10 and 40 gpm @ 100 psi (37 and 150 l/min @ 7 bar). All lightweight materials, hard coat anodized aluminum. Quick-change rear valve seat, stainless steel shut-off ball and a twist "off" position for positive shut off. Pistol grip is mounted below the valve. Rocker lug 1.0" NH (25mm) swivel is standard.

Folding Pistol Grip Kits with NFPA color inserts are available. See page 42 for ordering information.

1.5" (38mm) Bubble Cup® SERIES

20 & 60 or 20 & 95 or 95 GPM
(75 & 230 or 75 & 360 or 360 l/min)

Single or Dual Gallonage Foam Nozzle

The Bubble Cup, 1.5" (38mm) series, is a unique combination pattern nozzle capable of producing aspirated foam, conventional straight stream and a wide fog pattern. When the outer sleeve is in the retracted position, the nozzle operates as a standard dual gallonage straight stream/combination nozzle. (See Twister series.) To use the aspirating feature of the nozzle, the nozzle operator slides the outer sleeve forward, and by adjusting the pattern, has control of reach and aspiration. If an immediate wide fog pattern is needed, the sleeve can be retracted instantly to its regular position. The Bubble Cup, with its optional colored pistol grip and handle covers (NFPA 1901 (A.16.9.1)), is a unique nozzle with an extra measure of versatility not found in any other aspirating foam nozzle. (All nozzles shown retracted. Retracted and Extended lengths are listed.)

F2060BC

\$375.00

1.7 lb. (0.7kg)
5.00" - 7.50"
(12.7-19.1cm)



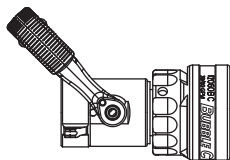
1.5" 20 and 60 GPM (38mm 75 and 230 l/min)

F2060BC BUBBLE CUP TIP 1.5" NH (38mm) - Dual gallonage Bubble Cup nozzle with two flow settings of 20 and 60 gpm @ 100 psi (75 and 230 l/min @ 7 bar). All lightweight materials, hard coat anodized aluminum. This tip only design has a twist "off" position for break-and-extend operations. 1.5" NH (38mm) rigid thread is standard.

FS2060BC

\$565.00

3.0 lb. (1.3kg)
7.25" - 9.75"
(18.4-24.8cm)

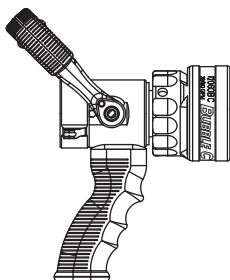


FS2060BC BUBBLE CUP NOZZLE 1.5" NH (38mm) - Dual gallonage Bubble Cup nozzle with two flow settings of 20 and 60 gpm @ 100 psi (75 and 230 l/min @ 7 bar). All lightweight materials, hard coat anodized aluminum. Quick-change rear valve seat, stainless steel shut-off ball and a twist "off" position for positive shut off. Rocker lug 1.5" NH (38mm) swivel is standard.

FS2060BCP

\$565.00

3.2 lb. (1.5kg)
7.25" - 9.75"
(18.4-24.8cm)



FS2060BCP BUBBLE CUP W/GRIP 1.5" NH (38mm) - Dual gallonage Bubble Cup nozzle with two flow settings of 20 and 60 gpm @ 100 psi (75 and 230 l/min @ 7 bar). All lightweight materials, hard coat anodized aluminum. Quick-change rear valve seat, stainless steel shut-off ball and a twist "off" position for positive shut off. Pistol grip is mounted below the valve. Rocker lug 1.5" NH (38mm) swivel is standard.

Folding Pistol Grip Kits with NFPA color inserts are available.
See page 42 for ordering information.

F2095BC

F95BC

\$375.00

1.7 lb. (0.7kg)
5.00" - 7.50"
(12.7-19.1cm)



1.5" 20 and 95 or 95 GPM (38mm 75 and 360 or 360l/min)

F2095BC BUBBLE CUP TIP 1.5" NH (38mm) - Dual gallonage Bubble Cup nozzle with two flow settings of 20 and 95 gpm @ 100 psi (75 and 360 l/min @ 7 bar). All lightweight materials, hard coat anodized aluminum. This tip only design has a twist "off" position for break-and-extend operations. 1.5" NH (38mm) rigid thread is standard.

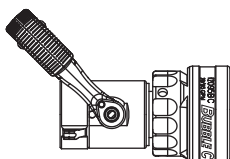
F95BC BUBBLE CUP TIP 1.5" NH (38mm) - Same features as above with single flow setting of 95 gpm @ 100 psi (360 l/min @ 7 bar).

FS2095BC

FS95BC

\$565.00

3.0 lb. (1.3kg)
7.25" - 9.75"
(18.4-24.8cm)



FS2095BC BUBBLE CUP NOZZLE 1.5" NH (38mm) - Dual gallonage Bubble Cup nozzle with two flow settings of 20 and 95 gpm @ 100 psi (75 and 360 l/min @ 7 bar). All lightweight materials, hard coat anodized aluminum. Quick-change rear valve seat, stainless steel shut-off ball and a twist "off" position for positive shut off. Rocker lug 1.5" NH (38mm) swivel is standard.

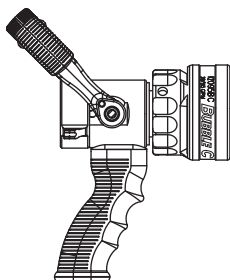
FS95BC BUBBLE CUP NOZZLE 1.5" NH (38mm) - Same features as above with single flow setting of 95 gpm @ 100 psi (360 l/min @ 7 bar)

FS2095BCP

FS95BCP

\$565.00

3.2 lb. (1.5kg)
7.25" - 9.75"
(18.4-24.8cm)



FS2095BCP BUBBLE CUP W/GRIP 1.5" NH (38mm) - Dual gallonage Bubble Cup nozzle with two flow settings of 20 and 95 gpm @ 100 psi (75 and 360 l/min @ 7 bar). All lightweight materials, hard coat anodized aluminum. Quick-change rear valve seat, stainless steel shut-off ball and a twist "off" position for positive shut off. Pistol grip is mounted below the valve. Rocker lug 1.5" NH (38mm) swivel is standard.

FS95BCP BUBBLE CUP W/GRIP 1.5" NH (38mm) - Same features as above with single flow setting of 95 gpm @ 100 psi (360 l/min @ 7 bar).

Folding Pistol Grip Kits with NFPA color inserts are available.
See page 42 for ordering information.

1.5" (38mm) QUADRACUP® SERIES

30, 60, 95 & 125 GPM (110, 230, 360 & 470 l/min)

Selectable Gallonage

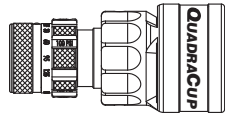
The QuadraCup is a rugged and dependable selectable gallonage nozzle with a retractable foam aspiration sleeve. When the outer sleeve is in the retracted position, the nozzle operates the same as the TFT QuadraFog. Flow can be set to any one of four flow settings, or to a flush mode. The front end can be rotated from straight stream through wide fog patterns. Uniquely cut fixed metal fog teeth produce a wide range of fog patterns.

To use the aspirating feature of the nozzle, the nozzle operator slides the outer sleeve forward, and by adjusting the pattern, has control of reach and aspiration. If an immediate wide fog pattern is needed, the sleeve can be retracted instantly to its regular position.

Available in either tip-only configuration or with a stainless ball shutoff, the QuadraCup is also available with optional colored pistol grip and handle covers (NFPA 1901 (A.16.9.1)). Metric calibrations available: 110-230-360-470 l/min @ 7 bar - consult factory for model numbers.

Model# Suffix: L = Low Pressure 75 psi (5 bar)

FQ125BC
FQ125BCL
\$680.00
 1.7 lb. (0.7kg)
 5.00" - 7.25"
 (12.7-19.1cm)

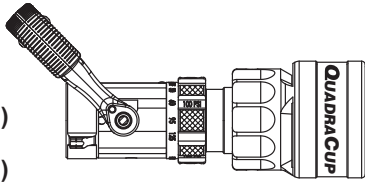


NFPA 1964
COMPLIANT

FQ125BC QUADRACUP TIP 1.5" NH (38mm) - Selectable gallonage nozzle with four flow settings of 30, 60, 95, and 125 gpm @ 100 psi (110, 230, 360 and 470 l/min @ 7 bar). All lightweight materials, hard coat anodized aluminum. Flush without shutting down. This tip-only design has an "off" position for break-and-extend operations. 1.5" NH (38mm) rigid thread is standard.

FQ125BCL LOW PRESSURE VERSION - Same as FQ125BC but operates at a lower pressure 75 psi (5 bar).

FQS125BC
FQS125BCL
\$1010.00
 3.0 lb. (1.3kg)
 7.25" - 9.75"
 (18.4-24.8cm)

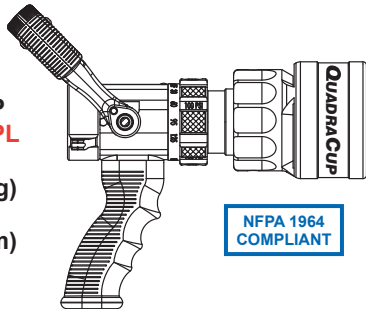


NFPA 1964
COMPLIANT

FQS125BC QUADRACUP NOZZLE 1.5" NH (38mm) - Selectable gallonage nozzle with four flow settings of 30, 60, 95, and 125 gpm @ 100 psi (110, 230, 360 and 470 l/min @ 7 bar). All lightweight materials, hard coat anodized aluminum. Flush without shutting down. Quick-change rear valve seat and stainless steel shut-off ball. Rocker lug 1.5" NH (38mm) swivel is standard.

FQS125BCL LOW PRESSURE VERSION - Same as FQS125BC but operates at a lower pressure 75 psi (5 bar).

FQS125BCP
FQS125BCPL
\$1010.00
 3.2 lb. (1.5kg)
 7.25" - 9.75"
 (18.4-24.8cm)

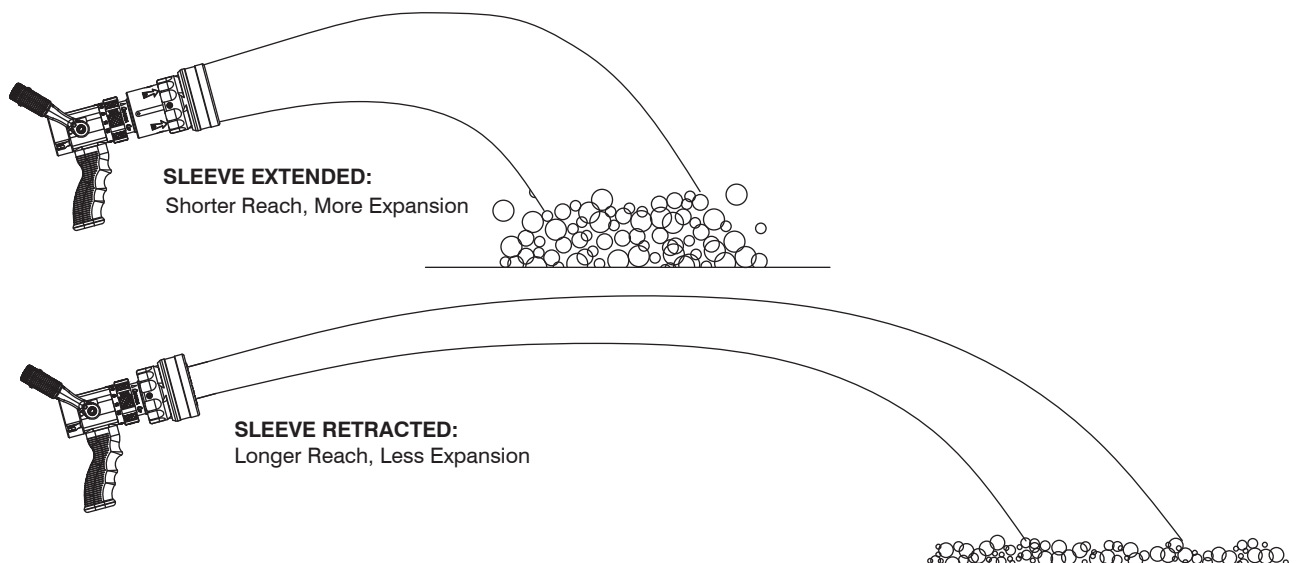


NFPA 1964
COMPLIANT

FQS125BCP QUADRACUP W/GRIP 1.5" NH (38mm) - Selectable gallonage nozzle with four flow settings of 30, 60, 95, and 125 gpm @ 100 psi (110, 230, 360 and 470 l/min @ 7 bar). All lightweight materials, hard coat anodized aluminum. Flush without shutting down. Quick-change rear valve seat and stainless steel shut-off ball. Pistol grip is mounted below the valve. Rocker lug 1.5" NH (38mm) swivel is standard.

FQS125BCPL LOW PRESSURE VERSION - Same as FQS125BCP but operates at a lower pressure 75 psi (5 bar).

Folding Pistol Grip Kits with NFPA color inserts are available. See page 42 for ordering information.

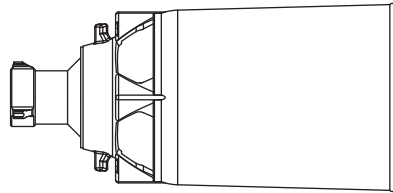




Medium-Expansion Foam Nozzle

These simple, lightweight, durable foam nozzles deliver the same thick, long lasting foam blanket, which has come to be expected of TFT foam products, without the need for a separate nozzle. Compact and easy to maintain, these nozzles deliver consistent foam aspiration, and are engineered to provide optimum foam production, when paired with a 60, 95, or 125 gpm TFT eductor. A TFT F140 inline ball valve can be ordered separately to provide shutoff capability.

FJ-MX-060-NF
FJ-MX-095-NF
FJ-MX-125-NF
\$235.00
2.40 lb (1.10kg)
16.20" (41.1 cm)



FJ-MX-060-NF Air aspirating medium expansion foam nozzle for use with 60 gpm eductors using medium expansion foam concentrates. Hard coat anodized aluminum, stainless steel mesh, and black UV stabilized polyethylene construction. 1.5" NH (38mm) swivel rocker lug coupling is standard.

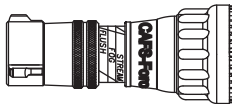
FJ-MX-095-NF Same as above, but used with 95 gpm eductors.

FJ-MX-125-NF Same as above, but used with 125 gpm eductors.

CAFS Automatic Nozzles

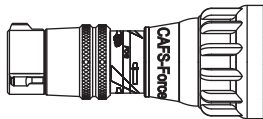
The ONLY automatic nozzle designed specifically for Compressed Air Foam (CAFS) and water applications, CAFS-Force is engineered to provide optimal foam stream performance, as well as offering low pressure nozzle operations when using water alone. HMDC-TO and HDC-TO nozzles shall have a molded rubber bumper with "power fog" teeth, flush without shutting down, reflective labeling shall be standard, and meet NFPA 1964 (2009 edition). The extruded aluminum alloy body shall be hard coat anodized and nozzle shall have an automatic dual-pressure control that may be switched from standard low pressure (water application) to CAFS mode. Nozzles are tip only and require a ball valve to shut off. Nozzle shall have laser engraved serial number and a 5-year warranty.

HMDC-TO
\$1075.00
6.6 lb (3.0kg)
9.00" (22.9cm)



HMDC-TO CAFS-Force Nozzle 1.5" NH (38mm) – The ONLY automatic nozzle combination designed specifically for Compressed Air Foam (CAFS) and water applications, CAFS-Force is engineered to provide optimal foam stream performance, as well as offering low pressure nozzle operations when using water alone. The CAFS-Force 1 tip features an automatic dual-pressure control with a water flow capacity of 70-200 gpm @ 75 psi (265-757 l/min @ 5 bar) that may be switched from standard low pressure (water application) to CAFS mode. 1.5" NH (38mm) rocker lug coupling is standard.

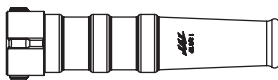
HDC-TO
\$1190.00
8.2 lb (3.7kg)
9.75" (23.8cm)



HDC-TO CAFS-Force Nozzle 1.5" NH (38mm) – The ONLY automatic nozzle combination designed specifically for Compressed Air Foam (CAFS) and water applications, CAFS-Force is engineered to provide optimal foam stream performance, as well as offering low pressure nozzle operations when using water alone. The CAFS-Force 2 tip features an automatic dual-pressure control with a water flow capacity of 95-250 gpm @ 75 psi (360-946 l/min @ 5 bar) that may be switched from standard low pressure (water application) to CAFS mode. 1.5" NH (38mm) rocker lug coupling is standard.

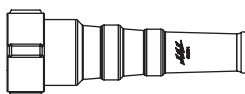
CAFS Straight Tip Nozzles

FSS13-CAFS
\$180.00
1.7 lb (0.8kg)
10.45" (26.5cm)



FSS13-CAFS STRAIGHT TIP – 1.5" NH (38mm) with smooth taper to 1 3/8" (35mm) tip. This tip is hard coat anodized and is design for compressed air foam (CAFS) application. The tip is also suitable for use with water. 1.5" NH (38mm) rocker lug full-time swivel coupling inlet standard.

JSS13-CAFS
\$180.00
2.2 lb (1.0kg)
10.91" (27.7cm)



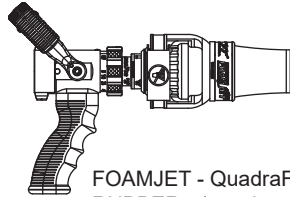
JSS13-CAFS STRAIGHT TIP – 2.5" NH (64mm) with smooth taper to 1 3/8" (35mm) tip. This tip is hard coat anodized and is design for compressed air foam (CAFS) application. The tip is also suitable for use with water. 2.5" NH (64mm) rocker lug full-time swivel coupling inlet standard.



Low-Expansion Foam Attachment

Make your TFT nozzle a high performance foam nozzle with the FOAMJET air-aspirating attachment. Simple, rugged and dependable, the FOAMJET can be quickly attached to either the 1" (25mm) QuadraFog, Ultimatic, MidMatic, Mid-Force, Handline, Dual-Force, Metro 0, Metro 1, or Metro 2 series of TFT nozzles. The FOAMJET provides superior foam-making ability with most modern foam concentrates. When used with AFFF and Class A foams, the FOAMJET can develop expansion ratios of 6:1. This thick foam blanket has better extinguishing ability and is longer lasting than foam from non-aspirated nozzles. It can be easily removed in seconds for a water-only or non-aspirated stream. FOAMJET is used in straight stream position only.

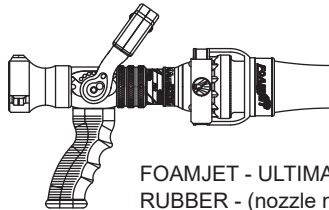
FJ-DQ
\$330.00
0.9 lb (0.4kg)
6.50" (16.5cm)



FOAMJET - QuadraFog 1" (25mm)
RUBBER - (nozzle not included)

FJ-DQ FOAMJET - QUADRAFOG 1" (25mm) RUBBER - Air-aspirating foam-making attachment for all 1" (25mm) QuadraFog Series nozzles. The FOAMJET is constructed of molded rubber, stainless steel, and lightweight nickel plated aluminum. NOTE: Not intended to produce foam at 5 and 10 gpm (20 and 40 l/min) settings.

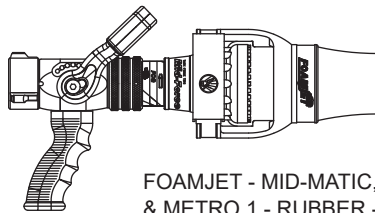
FJ-U
\$315.00
0.9 lb (0.4kg)
6.50" (16.5cm)



FOAMJET - ULTIMATIC
RUBBER - (nozzle not included)

FJ-U FOAMJET - ULTIMATIC - RUBBER - Air-aspirating foam-making attachment for all Ultimatic and Metro 0 Series nozzles. The FOAMJET is constructed of molded rubber, stainless steel, and lightweight nickel plated aluminum.

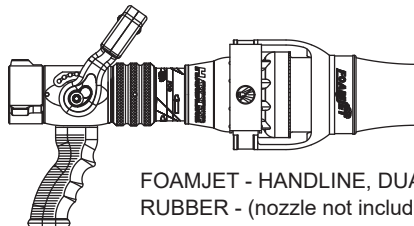
FJ-HM
\$325.00
1.8 lb (0.8kg)
8.50" (21.6cm)



FOAMJET - MID-MATIC, MID-FORCE,
& METRO 1 - RUBBER - (nozzle not included)

FJ-HM FOAMJET - MIDRANGE - RUBBER - Air-aspirating foam-making attachment for all Mid-Matic, Mid-Force & Metro 1 series nozzles. The FOAMJET is constructed of molded rubber, stainless steel, and lightweight nickel plated aluminum.

FJ-H
\$325.00
1.8 lb (0.8kg)
8.50" (21.6cm)



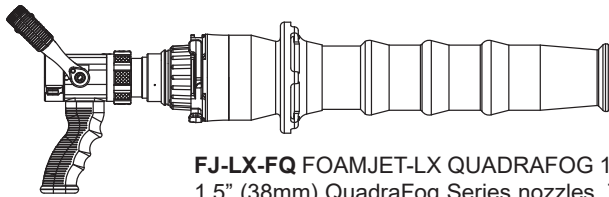
FOAMJET - HANDLINE, DUAL-FORCE, METRO 2
RUBBER - (nozzle not included)

FJ-H FOAMJET - HANDLINE - RUBBER - Air-aspirating foam-making attachment for all Handline, Dual-Force and Metro 2 series nozzles. The FOAMJET is constructed of molded rubber, stainless steel, and lightweight nickel plated aluminum.

Low-Expansion Foam Attachment

The FOAMJET-LX is a lightweight, low-expansion foam-making, air-aspirating attachment. Simple, rugged and dependable, the FOAMJET-LX can be quickly attached and provides superior foam-making ability with most modern foam concentrates. When used with AFFF and Class A Foams, the FOAMJET-LX can develop a thick foam blanket which has better extinguishing ability and is longer lasting than foam from non-aspirating nozzles. The FOAMJET-LX can easily be removed in seconds for a water-only or non-aspirated stream. FOAMJET-LX is used in straight stream position only.

FJ-LX-FQ
\$360.00
3.3 lb (1.5kg)
20.20" (51.3cm)



FOAMJET-LX QuadraFog 1.5" (38mm)
 (nozzle not included)

FJ-LX-FQ FOAMJET-LX QUADRAFOG 1.5" (38mm) - Air-aspirating foam-making attachment for all 1.5" (38mm) QuadraFog Series nozzles. The FOAMJET-LX is constructed of durable UV stabilized polyethylene, stainless steel, and aluminum.

FJ-LX-HM
\$360.00
2.9 lb (1.3kg)
20.20" (51.3cm)

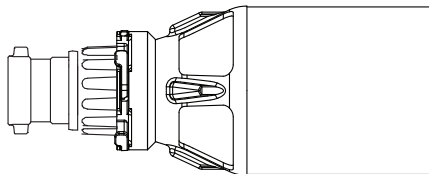
FJ-LX-HM FOAMJET-LX MIDRANGE - Air-aspirating low expansion foam-making attachment for all Mid-Matic, Mid-Force and Metro 1 Series Nozzles. Provides excellent low expansion foam with a tight bubble structure. The FOAMJET-LX is constructed of durable UV stabilized polyethylene, stainless steel, and aluminum.

FJ-LX-U
\$360.00
3.0 lb (1.4kg)
21.70" (55.1cm)

FJ-LX-U LX-FOAMJET - ULTIMATIC - Air-aspirating low expansion foam-making attachment for all Ultimatic and Metro 0 Series Nozzles. Provides excellent low expansion foam with a tight bubble structure. The FOAMJET-LX is constructed of durable UV stabilized polyethylene, stainless steel, and aluminum.

The FOAMJET-MX & FOAMJET-LX for Master Stream Nozzles are lightweight, low & multi expansion foam-making, air-aspirating attachments. Simple, rugged and dependable, the FOAMJET-MX & FOAMJET-LX can be quickly attached and provide superior foam-making ability with most foam concentrates. When used with AFFF and Class A Foams, the FOAMJET-MX & FOAMJET-LX can develop a thick low and multi-expansion foam blanket which has better extinguishing ability and is longer lasting than foam from non-aspirating nozzles. The FOAMJET-MX & FOAMJET-LX can easily be removed in seconds for a water-only or non-aspirated stream. FOAMJET-LX is used in straight stream position only.

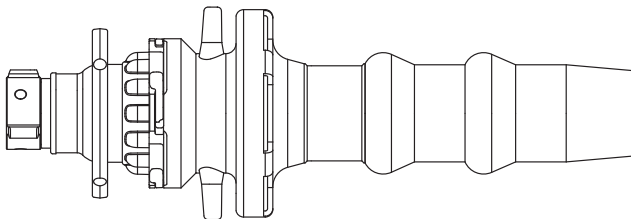
FJ-MX-MD
\$695.00
4.6 lb (2.1 kg)
16.20" (41.1 cm)



MD-FOAMJET MAX and ZN (nozzle not included)
 There is no screen installed in this attachment.

FJ-MX-MD - FOAMJET-MX Air-aspirating multi-expansion foam-making attachment for use with all Max-Series and ZN Series Industrial Nozzles. Provides varying foam expansion based upon stream selection. The FOAMJET-MX is constructed of durable UV Stabilized Polyethylene and aluminum.

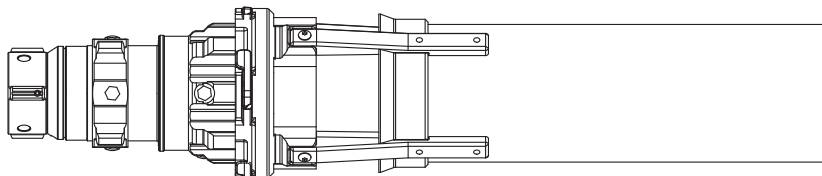
FJ-LX-M
\$750.00
6.8 lb (3.1kg)
25.30" (64.3cm)



LX-FOAMJET - MASTER (nozzle not included)

FJ-LX-M - FOAMJET-LX - MASTER - Air-aspirating low expansion foam-making attachment for use with all Master Stream 1000, 1250S, and the Master Foam 250-750 gpm (946-2839 l/min) series nozzles. Provides low expansion foam and excellent stream reach. The FOAMJET-LX is constructed of durable UV Stabilized Polyethylene, stainless steel, and aluminum.

FJ-LX-M2
\$750.00
9.0 lb (4.1kg)
26.03" (66.1cm)



LX-FOAMJET
 MASTER (nozzle not included)

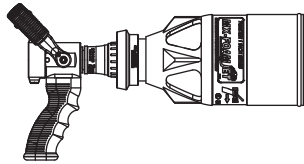
FJ-LX-M2 - FOAMJET-LX - MASTER - -- Air aspirating low expansion foam-making attachment for use with all M-F* series of Master Stream nozzles. Provides low expansion foam and excellent stream reach. The FOAMJET-LX is constructed from lightweight hard coat anodized aluminum, nylon, and stainless steel.



Multi-Expansion Foam Attachment

The MX-FOAMJET is a simple to attach, compact, lightweight, and rugged multi-expansion foam-aspirating attachment for your Twister, QuadraFog, METRO 0, METRO 1, METRO 2 ThunderFog, Mid-Matic and Mid-Force Series nozzles. It can be used with many foam concentrates that are recommended for low or medium expansion equipment. The thick foam blanket produced has superior vapor-suppression capabilities and is longer lasting than foam from non-aspirated nozzles. The locking ring attaches easily and securely to the rubber bumper and can also be removed quickly for water-only or non-aspirated streams. Rotating the MX-FOAMJET gives you the unique ability to vary the expansion ratio and stream reach of finished foam.

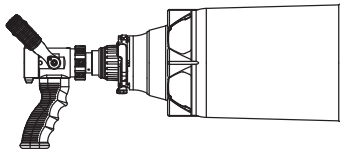
FJ-MX-D
\$160.00
 1.4 lb (0.6kg)
 10.60" (26.9cm)



TWISTER 1" (25mm)
 (nozzle not included)

FJ-MX-D MX-FOAMJET - TWISTER 1.0" (25mm) - Air-aspirating foam-making attachment for all 1.0" (25mm) Twister Series nozzles. Flow range of 10, 24, & 40 gpm (37, 90 & 150 l/min) matches that of corresponding 1.0" (25mm) Twister Series nozzle (needed for operation). The MX-FOAMJET is constructed of durable UV stabilized polyethylene and aluminum. Diameter 5.2" (13cm).

FJ-MX-DQ
\$195.00
 2.3 lb (1.0kg)
 12.60" (32.0cm)

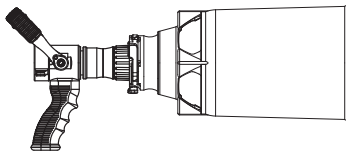


QuadraFog 1" (25mm)
 (nozzle not included)

FJ-MX-DQ MX-FOAMJET - QUADRAFOG 1.0" (25mm) - Air-aspirating foam-making attachment for all 1.0" (25mm) QuadraFog Series nozzles. Aspirates foam when operating the 1.0" (25mm) QuadraFog nozzle in 24-40 gpm (90-150 l/min) setting. The MX-FOAMJET is constructed of durable UV stabilized polyethylene and aluminum. Diameter 7.4" (18.8 cm).

NOTE: Not intended to produce foam at 5 and 10 gpm (20 and 40 l/min) settings.

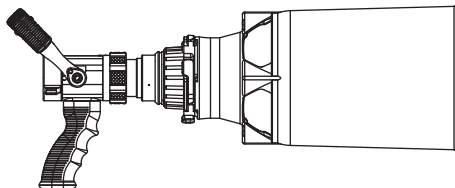
FJ-MX-F
\$160.00
 2.2 lb (1.0kg)
 12.60" (32.0cm)



TWISTER 1.5" (38mm)
 (nozzle not included)

FJ-MX-F MX-FOAMJET - TWISTER 1.5" (38mm) - Air-aspirating foam-making attachment for all 1.5" (38mm) Twister Series nozzles. Flow range of 20, 60, & 95 gpm (75, 230, & 360 l/min) matches that of corresponding 1.5" (38mm) Twister Series nozzle (needed for operation). The MX-FOAMJET is constructed of durable UV stabilized polyethylene and aluminum. Diameter 7.4" (18.8 cm).

FJ-MX-FQ
\$430.00
 3.3 lb (1.5kg)
 15.20" (38.6cm)



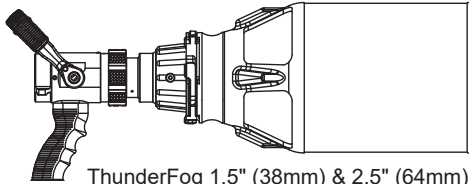
QuadraFog 1.5" (38mm)
 (nozzle not included)

FJ-MX-FQ MX-FOAMJET - QUADRAFOG 1.5" (38mm) - Air-aspirating foam-making attachment for all 1.5" (38mm) QuadraFog nozzles. Flow range of 30-125 gpm (110-500 l/min) matches that of corresponding 1.5" (38mm) QuadraFog nozzle (needed for operation). The MX-FOAMJET is constructed of durable UV stabilized polyethylene, stainless steel, and aluminum. Diameter 7.4" (18.8cm).

Multi-Expansion Foam Attachment

The MX-FOAMJET is a simple, lightweight multi-expansion foam-making attachment for TFT Handline, METRO 0, METRO 1, METRO 2, Dual-Force and Ultimatic nozzles. The MX-FOAMJET allows for a wider selection of foam concentrates to be used, and has the unique ability to vary the expansion ratio and the stream reach of the finished foam. As the nozzle shaper is rotated to the wide fog position (counterclockwise), higher expansion ratios will be produced, but with reduced stream reach. Rotating the nozzle shaper forward to straight stream (clockwise), will produce lower expansion ratios, but with increased stream reach. The ability to regulate the reach and expansion ratio is unique to the MX-FOAMJET. It can be easily removed in seconds for a water-only or non-aspirated stream.

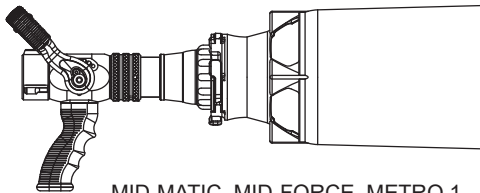
FJ-MX-FT
\$430.00
5.2 lb (2.4kg)
17.00" (43.2cm)



ThunderFog 1.5" (38mm) & 2.5" (64mm)
 (nozzle not included)

FJ-MX-FT MX-FOAMJET - THUNDERFOG - Air-aspirating foam-making attachment for all 1.5" & 2.5" (38mm & 64mm) ThunderFog nozzles. Flow range of 30-250 gpm (110-500 l/min) matches that of corresponding 1.5" & 2.5" (38mm & 64mm) ThunderFog nozzle (needed for operation). The MX-FOAMJET is constructed of durable UV stabilized polyethylene and aluminum. Diameter 8.6" (21.8cm). NOTE: Will not fit fixed teeth models manufactured prior to 5/97 without bumper upgrade. (Free upgrade with purchase of FJ-MX-FT).

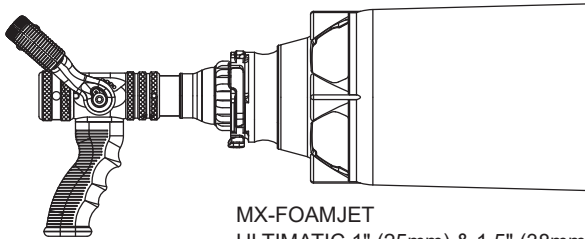
FJ-MX-HM
\$430.00
3.2 lb (1.5kg)
15.40" (39.1cm)



MID-MATIC, MID-FORCE, METRO 1
 1.5" (38mm) - (nozzle not included)

FJ-MX-HM MX-FOAMJET - MIDRANGE - Air-aspirating foam-making attachment for all Mid-Force, Mid-Matic and METRO 1 Series nozzles. Flow range of 70-200 gpm (260-760 l/min) matches that of corresponding Mid-Force, Mid-Matic and METRO 1 Series nozzles (needed for operation). The MX-FOAMJET is constructed of durable UV stabilized polyethylene, and aluminum. Diameter 7.4" (18.8cm).

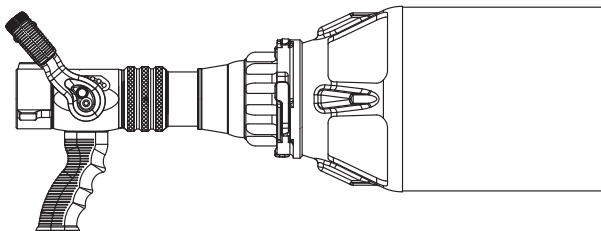
FJ-UMX
\$475.00
3.2 lb (1.5kg)
15.25" (39.1cm)



MX-FOAMJET
 ULTIMATIC 1" (25mm) & 1.5" (38mm)
 (nozzle not included)

FJ-UMX - MX-FOAMJET - ULTIMATIC - Air-aspirating foam-making attachment for all Ultimatic and METRO 0 Series nozzles. Flow range of 10-125 gpm (40-500 l/min) matches that of corresponding TFT Ultimatic (needed for operation). The MX-FOAMJET is constructed of durable UV stabilized polyethylene and aluminum. Diameter 7.4" (18.8cm).

FJ-HMX
\$480.00
3.1 lb (1.4kg)
15.62" (3.9cm)



MX-FOAMJET - HANDLINE, METRO 2, DUAL-FORCE
 1.5" (38mm) & 2.5" (64mm) (nozzle not included)

FJ-HMX - MX-FOAMJET Multi-expansion foam-making attachment for all Handline, Dual-Force and METRO 2 Series nozzles. Flow range matches that of corresponding TFT Handline, Dual-Force and METRO 2 series nozzles (needed for operation). The MX-FOAMJET is constructed of durable UV stabilized polypropylene and lightweight hard coat anodized aluminum. Diameter 8.6" (21.8 cm).

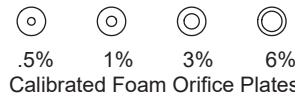
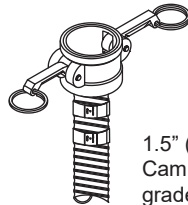
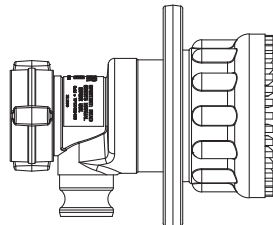
250, 350, 500, 750 gpm (950, 1300, 2000, 3000 l/min)

Fixed GPM

Self-Educting Foam Nozzles

The MASTER FOAM nozzle is a simple and rugged self-educing foam nozzle with superior stream quality and reach. This fixed gallonage fog nozzle rated at 100 psi (7 bar) is available with your choice of 250, 350, 500 or 750 gpm (950, 1300, 2000, 3000 l/min). Fog angle is user adjustable between 90° wide fog and straight stream. The nozzle's baffle is easily removed for flushing debris. The standard swivel coupling is 2.5" NH, NPSH, or BSP (64mm) female threads. The simple flow geometry can educt foam concentrate at .5%, 1%, 3%, or 6% with no small passages to clog. Percentage is easily set with an interchangeable orifice plate. A set of calibrated foam orifice plates is included. Nozzle comes with an industrial grade UV resistant, 10 feet long, 1.5" diameter (3m x 38mm) concentrate hose with two cam lock fittings for quick and secure attachment to the nozzle. The simple and basic design requires no grease or other maintenance. The halo ring/stream shaper is hard coat anodized aluminum. The rubber bumper is UV resistant. Accepts the FJ-LX-M FOAMJET low expansion air-aspirating attachment.

ZMF10A
\$2140.00
7.3 lb (3.3kg)
10.50" (26.7cm)



1.5" (38mm) Diameter concentrate hose with one 1.5" (38mm) Cam Lock fitting, one 2" (51mm) Cam Lock fitting, Industrial grade, UV resistant, 10 feet (3 m) long.

When ordering, choose one option from each category. For example Model ZMF 1 2 A is 2.5" NH Female thread, 500 gpm at 100 psi. For assistance in ordering, please call 1-800-348-2686 and speak to a nozzle specialist.

ZMF

THREADS (Swivel) (2.5" = 64mm)	FLOW
1) 2.5"-7.5 NH FEMALE	0) 250 gpm @ 100 psi (950 l/min @ 7 bar) — K-factor = 25
2) 2.5"-11 BSP FEMALE	1) 350 gpm @ 100 psi (1300 l/min @ 7 bar) — K-factor = 35
3) 2.5"-11.5 NPSH FEMALE	2) 500 gpm @ 100 psi (2000 l/min @ 7 bar) — K-factor = 50
4) 2.5"- SPECIAL THREADS	3) 750 gpm @ 100 psi (3000 l/min @ 7 bar) — K-factor = 75

A

Z625A
\$445.00
7.0 lb (3.2kg)

Supply Hose - 1.5" (38mm) Cam lock X 2.0" (51mm) Cam lock 1.5" x 10 feet (38mm x 3m) long concentrate hose, Industrial grade, UV resistant.

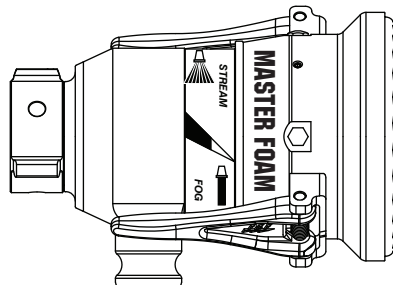
UE960-KIT
\$63.00

UE960-Kit 1.5" (38mm) Cam lock adapter available.

1000 or 1250 gpm (3800 or 4800 l/min) Self Educting Foam Nozzles

The MASTER FOAM nozzle is a simple and rugged self-educing foam nozzle with superior stream quality and reach. This fixed gallonage fog nozzle rated at 100 psi (7 bar) is available with your choice of 1000, 1250, 1500 or 2000 gpm (3800, 4800, 6000 or 8000 l/min). Fog angle is user adjustable between 90° wide fog and straight stream. The nozzle's baffle is easily removed for flushing debris. The standard swivel coupling is 2.5" NH, NPSH, or BSP (64mm) or 3.5" NH (89mm) female threads. The simple flow geometry can educt foam concentrate at 1% or 3% with no small passages to clog. Nozzle comes with an industrial grade UV resistant, 10 feet long (3m), 2" (51mm) diameter (3m x 50mm) concentrate hose with two cam lock fittings for quick and secure attachment to the nozzle. The simple and basic design requires minimal maintenance. Includes folding handles for manual pattern control. Hard coat anodized aluminum for maximum resistance to corrosion and wear.

ZMF14
ZMF15
\$2460.00
17.7 lb (8.0kg)
10.70" (27.2cm)



Dust Cap With Cam Lock Fitting

ZMF

THREADS (Swivel) (2.5" = 64mm)	FLOW
1) 2.5"-7.5 NH FEMALE	4) 1000 gpm @ 100 psi (3800 l/min @ 7 bar) — K-factor = 100
2) 2.5"-11 BSP FEMALE	5) 1250 gpm @ 100 psi (4800 l/min @ 7 bar) — K-factor = 125
3) 2.5"-11.5 NPSH FEMALE	
4) 2.5"- SPECIAL THREADS	
5) 3.5" - 6 NH FEMALE	

2" (51mm) Diameter concentrate hose with one 1.5" (38mm) Cam Lock fitting, one 2" (51mm) Cam Lock fitting, Industrial grade, UV resistant, 10 feet (3 m) long.

1500 or 2000 gpm (5700 or 8000 l/min) Self Educting Foam Nozzles

Fixed GPM

3.5"-6 NH Coupling Only

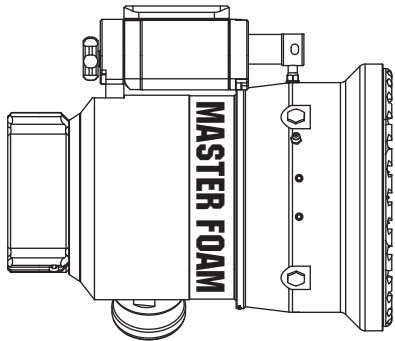
ZMF16
\$2460.00
24.8 lb (11.2kg)
11.38" (28.9cm)
 1500 gpm @ 100 psi (6000 l/min @ 7 bar)
 3.5"-6 NH (89mm) NH Coupling
 2" (51mm) Diameter concentrate hose with two 2" (51mm) Cam Lock fittings, Industrial grade, UV resistant, 10 feet (3 m) long.

ZMF17
\$2460.00
24.8 lb (11.2kg)
11.38" (28.9cm)
 2000 gpm @ 100 psi (8000 l/min @ 7 bar)
 3.5"-6 NH (89mm) NH Coupling
 2" (51mm) Diameter concentrate hose with two 2" (51mm) Cam Lock fittings, Industrial grade, UV resistant, 10 feet (3 m) long.

MASTER FOAM™ ER

1000 or 1250 gpm (3800 or 4800 l/min) Self Educting Foam Nozzles

The MASTER FOAM ER nozzle is a simple and rugged self-educing foam nozzle with superior stream quality and reach. This fixed gallonage fog nozzle rated at 100 psi (7 bar) is available with your choice of 1000, 1250, 1500 or 2000 gpm (3800, 4800, 6000 or 8000 l/min). Electric remote controlled fog angle is user adjustable between 90° wide fog and straight stream. The nozzle's baffle is easily removed for flushing debris. The standard swivel coupling is 2.5" NH, NPSH, or BSP (64mm) or 3.5" NH (89mm) female threads. The simple flow geometry can educt foam concentrate at 1% or 3% with no small passages to clog. Nozzle comes with an industrial grade UV resistant, 10 feet long, 2.0" diameter (3m x 51mm) concentrate hose with two cam lock fittings for quick and secure attachment to the nozzle. The simple and basic design requires minimal maintenance. Includes manual override knob for manual pattern control. Hard coat anodized aluminum for maximum resistance to corrosion and wear.



1% 3%
Calibrated Foam Orifice Plates



Dust Cap With Cam Lock Fitting

2" (51mm) Diameter concentrate hose with Cam Lock fittings, Industrial grade, UV resistant, 10 feet (3 m) long.

ZMF-

THREADS (Swivel) (2.5" = 64mm) (3.5" = 89mm)	FLOW	WIRE
1) 2.5"-7.5 NH FEMALE 2) 2.5"-11 BSP FEMALE 3) 2.5"-11.5 NPSH FEMALE 4) 2.5"- SPECIAL THREADS 5) 3.5" - 6 NH FEMALE	4) 1000 gpm @ 100 psi (3800 l/min @ 7 bar) — K-factor = 100 5) 1250 gpm @ 100 psi (4800 l/min @ 7 bar) — K-factor = 125	ERP) Plug with Smart Stream Technology ER) Non terminated wire

SAMPLE PART NUMBERS

Specify actual number from chart.

ZMF14-ER
ZMF14-ERP
\$4180.00
21.3 lb (9.7kg)
10.70" (27.2cm)

ZMF14-ERP - MASTERFOAM NOZZLE 12-24VDC - 1000 gpm @ 100 psi (3800 l/min @ 7 bar) 2.5" NH (64mm) Coupling includes one 2.0" (51mm) Diameter concentrate hose with one 1.5" (38mm) and one 2.0" (51mm) Cam Lock fittings, Industrial grade, UV resistant, 10 feet (3 m) long. For use on TFT RC monitors only.

ZMF14-ER - Same as ZMF14-ERP except with 6 ft (2m) of non-terminated remote wire for custom installations. Does not have SMART STREAM technology.

ZMF15-ER
ZMF15-ERP
\$4180.00
21.3 lb (9.7kg)
10.70" (27.2cm)

ZMF15-ERP - MASTERFOAM NOZZLE 12-24VDC - 1250 gpm @ 100 psi (4800 l/min @ 7 bar) 2.5" NH (64mm) Coupling includes one 2.0" (51mm) Diameter concentrate hose with one 1.5" (38mm) and one 2.0" (51mm) Cam Lock fittings, Industrial grade, UV resistant, 10 feet (3 m) long. For use on TFT RC monitors only.

ZMF15-ER - Same as ZMF15-ERP except with 6 ft (2m) of non-terminated remote wire for custom installations. Does not have SMART STREAM technology.

MASTER FOAM™ ER

1500 or 2000 gpm (5700 or 8000 l/min) Electric Remote Self Educting Foam Nozzles 3.5" NH (89mm) Coupling

ZMF16-ER
ZMF16-ERP
\$4180.00
29.8 lb (13.5kg)
11.38" (28.9cm)

ZMF16-ERP - MASTERFOAM NOZZLE 12-24VDC - 1500 gpm @ 100 psi (5700 l/min @ 7 bar) 3.5" NH (89mm) Coupling includes one 2.0" (51mm) Diameter concentrate hose with two 2.0" (51mm) Cam Lock fittings, Industrial grade, UV resistant, 10 feet (3m) long. For use on TFT RC monitors only.

ZMF16-ER - Same as ZMF16-ERP except with 6 ft (2m) of non-terminated remote wire for custom installations. Does not have SMART STREAM technology.

ZMF17-ER
ZMF17-ERP
\$4180.00
29.8 lb (13.5kg)
11.38" (28.9cm)

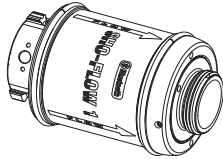
ZMF17-ERP - MASTERFOAM NOZZLE 12-24VDC - 2000 gpm @ 100 psi (8000 l/min @ 7 bar) 3.5" NH (89mm) Coupling includes one 2.0" (51mm) Diameter concentrate hose with two 2.0" (51mm) Cam Lock fittings, Industrial grade, UV resistant, 10 feet (3 m) long. For use on TFT RC monitors only.

ZMF17-ER - Same as ZMF17-ERP except with 6 ft (2m) of non-terminated remote wire for custom installations. Does not have SMART STREAM technology.

The SHO-FLOW® BLUETOOTH® is a water flow meter that is designed for installation in between any two lengths of hose. Any firefighting, training, or testing operation that utilizes hose lines or nozzles is an application for a SHO-FLOW® BLUETOOTH® flow meter. The SHO-FLOW® BLUETOOTH® has no wires to connect and no batteries are needed.

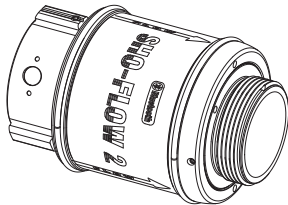
The SHO-FLOW® BLUETOOTH® App is available to download for free through Apple or Android app stores. The app displays the flow in user-specifiable units and includes calibration, totalizer and diagnostic tools.

EFF-NFNF300
\$995.00
 2.65 lb (1.2kg)
 6.10" (155mm)



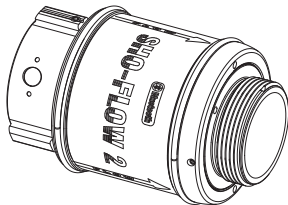
EFF-NFNF300 - 1.5"NH Female x 1.5" NH Male - TFT's SHO-FLOW® BLUETOOTH® generates its own power using an unobstructed water driven turbine, with a built in stream straightener, that will pass debris up to 1" (25mm) in diameter. Starting at 50 gpm (200 l/min), the turbine generates power needed to supply a BLUETOOTH® connection to any smart device. Choose units you want displayed from your smart device; gpm, gps, l/min or l/sec. **Full flow range 50 - 300 gpm (0.8 - 5 gps) (200 - 1150 l/min) (3.33 - 19.16 l/sec).**

EFJ-NJNJ500
\$1495.00
 4.5 lb (2.0kg)
 7.40" (188mm)



EFJ-NJNJ500 - 2.5"NH Female x 2.5" NH Male - TFT's SHO-FLOW 2 LOW FLOW BLUETOOTH® generates its own power using an unobstructed water driven turbine, with a built in stream straightener, that will pass debris up to 1.7" (43 mm) in diameter. Starting at 100 GPM (380 l/min), the turbine generates power needed to supply a BLUETOOTH® connection to any smart device. Choose units you want displayed from your smart device; gpm, gps, l/min or l/sec. **Full flow range 100 - 500 gpm (1.7 - 8.3 gps) (380 - 1900 l/min) (3.33 - 19.16 l/sec).**

EFJ-NJNJ1250
\$1495.00
 4.5 lb (2.0kg)
 7.40" (188mm)



EFJ-NJNJ1250 - 2.5"NH Female x 2.5" NH Male - TFT's SHO-FLOW 2 HIGH FLOW BLUETOOTH® generates its own power using an unobstructed water driven turbine, with a built in stream straightener, that will pass debris up to 1.7" (43 mm) in diameter. Starting at 250 GPM (950 l/min), the turbine generates power needed to supply a BLUETOOTH® connection to any smart device. Choose units you want displayed from your smart device; gpm, gps, l/min or l/sec. **Full flow range 250 - 1250 gpm (4.2 - 20.8 gps) (950 - 4700 l/min) (3.33 - 19.16 l/sec).**

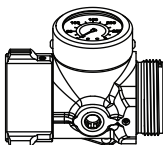
F15G200
F15G300
\$360.00
 1.5 lb (0.7kg)
 3.75" (9.6cm)



F15G200 - LINE PRESSURE GAUGE 1.5" NH (38mm) - Pitot-type, liquid-filled 0-200 psi (0-14 bar) gauge is ideal for testing and training purposes. Gauge has protective ring to resist damage. Swivel inlet coupling. 1.5" NH (38mm) thread is standard.

F15G300 - LINE PRESSURE GAUGE 1.5" NH (38mm) - Same as F15G200 with liquid-filled 0-300 psi (0-21 bar) gauge.

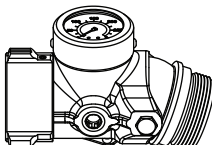
J25G200F
J25G300F
\$420.00
 3.7 lb (1.7kg)
 6.40" (16.2cm)



J25G200F - IN-LINE PITOT PRESSURE GAUGE 2.5" NH (64mm) - Liquid-filled 0-200 psi (0-14 bar) gauge designed for use on standpipes, truck outlets, on the ground, or where having a pressure reading is advantageous. System includes a protective ring and lens cover for the pressure gauge. Swivel inlet coupling. 2.5" NH (64mm) thread is standard.

J25G300F - IN-LINE PITOT PRESSURE GAUGE 2.5" NH (64mm) - Same as J25G200F above with liquid-filled 0-300 psi (0-21 bar) gauge.

J25G200S
J25G300S
\$420.00
 4.4 lb (2.0kg)
 8.00" (20.4cm)



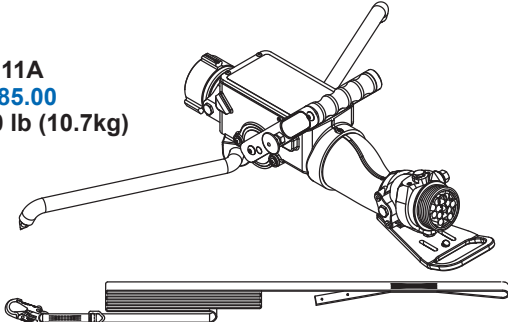
J25G200S - IN-LINE PITOT PRESSURE GAUGE 2.5" NH (64mm) - Liquid-filled 0-200 psi (0-14 bar) gauge designed for use on standpipes, truck outlets, on the ground, or where having a pressure reading is advantageous. System includes a protective ring and lens cover for the pressure gauge. Swivel inlet coupling and +/- 20° pivoting outlet. 2.5" NH (65mm) thread is standard.

J25G300S - IN-LINE PITOT PRESSURE GAUGE 2.5" NH (64mm) - Same as J25G200S above with liquid-filled 0-300 psi (0-21 bar) gauge.

Portable Monitor with Safety Shut-Off Valve 500 GPM (2000 l/min)

TFTs' Blitzfire is a simple, light, and highly maneuverable attack monitor. The Blitzfire's low elevation angle makes it suitable for use indoors. It can go anywhere a handline goes while delivering much more water. If the Blitzfire starts to slide or lift, the SAFETY SHUT-OFF VALVE automatically shuts off the flow of water. This patented safety feature reduces the risk of injury from an out-of-control appliance. The shut-off action slows near stroke end to reduce the effects of water hammer. To reset the flow, simply open the valve to any of six detent flow positions with the turbulence-free slide valve. The Blitzfire's discharge pivots make directing the stream extremely quick and effortless. Outlet has built-in stream shaper. A unique up/down pivot on the hose inlet allows the monitor to have stability even on porches, stair landings or the like. An anchor strap is included for safe operation on slick surfaces like marble floors. The main body is hard coat anodized aluminum with a blue TFT powder coat finish inside and out.

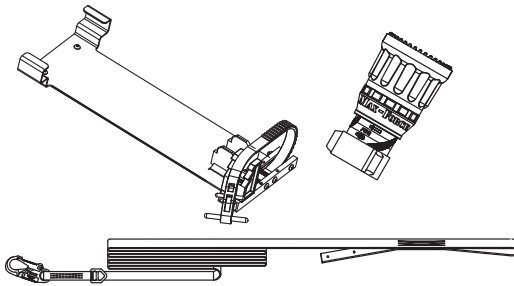
XX111A
\$3485.00
22.0 lb (10.7kg)



XX111A BLITZFIRE MONITOR Flow range up to 500 gpm (2000 l/min). The monitor features low friction inlet and outlet pivots. Outlet has built-in stream shaper. Elevation is manually adjustable between 10 and 46 degrees above horizontal. Horizontal rotation is manually adjustable 20 degrees either side of center. The SAFETY SHUT-OFF VALVE will shut off flow if monitor slides or lifts. It has six detent flow positions with a patented turbulence free slide valve for operator flow control. When the legs are folded, the carbide tips point up for carrying safety. The heavy-duty carbide tipped legs are easily folded out to a wide deployed stance. Stowed in storage bracket overall size is 29.5"L x 8.1"W x 8.5"H (74.9 x 20.6 x 21.6 cm). Standard inlet is 2.5" NH (64mm) rocker lug swivel coupling. Standard outlet is 2.5" NH (64mm) rigid male threads.

PACKAGES

XXC-32
\$4600.00

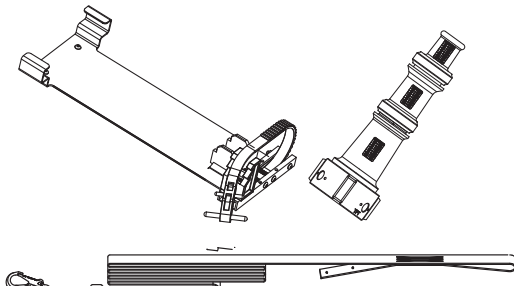


XXC-32 PACKAGE CONTAINS:
 BLITZFIRE MONITOR (Specify Inlet & Outlet)
 STORAGE BRACKET (BLITZFIRE)
 MAX-SERIES TIP (Specify Inlet & Model)

XXC-32NB
\$4600.00

Package does not include storage bracket

XXC-42
\$4210.00

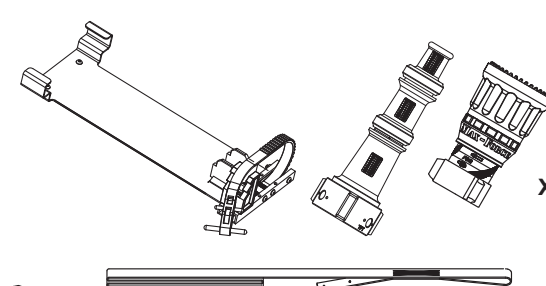


XXC-42 PACKAGE CONTAINS:
 BLITZFIRE MONITOR (Specify Inlet & Outlet)
 STORAGE BRACKET (BLITZFIRE)
 3 STACKED TIPS (Specify Inlet)

XXC-42NB
\$4210.00

Package does not include storage bracket

XXC-52
\$5035.00



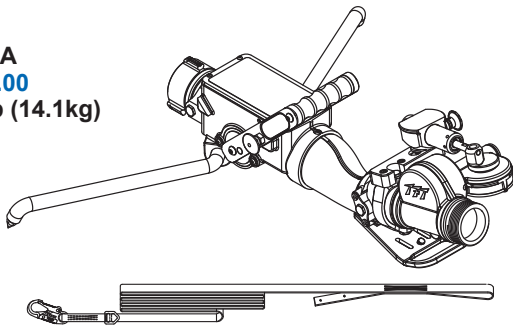
XXC-52 PACKAGE CONTAINS:
 BLITZFIRE MONITOR (Specify Inlet & Outlet)
 STORAGE BRACKET (BLITZFIRE)
 MAX-SERIES TIP (Specify Inlet & Model)
 3 STACKED TIPS (Specify Inlet)

XXC-52NB
\$5035.00

Package does not include storage bracket

Oscillating Portable Monitor with Safety Shut-Off Valve 500 GPM (2000 l/min)

XX211A
\$4665.00
31.0 lb (14.1kg)

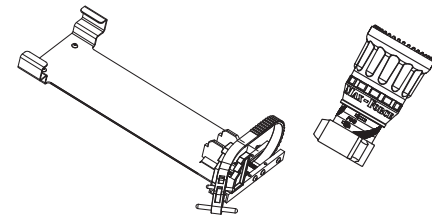


XX211A BLITZFIRE OSCILLATING MONITOR Flow range up to 500 gpm (2000 l/min). The monitor features low friction inlet and outlet pivots. Elevation is manually adjustable between 10 and 46 degrees above horizontal. The water driven turbine makes the nozzle automatically sweep 10, 15, or 20 degrees either side of center. The oscillating mechanism can be disengaged and horizontal rotation moved manually. The SAFETY SHUT-OFF VALVE will shut off flow if monitor slides or lifts. It has six detent flow positions with a patented turbulence-free slide valve for operator flow control. When the legs are folded, the carbide tips point up for carrying safety. The heavy-duty carbide tipped legs are easily folded out to a wide deployed stance. Stowed in storage bracket overall size is 34.8"L x 10.5"W x 9.6"H (88.4 x 26.7 x 24.4 cm). Standard inlet is 2.5" NH (64mm) swivel rocker lug coupling. Standard outlet is 2.5" NH (64mm) rigid male threads.

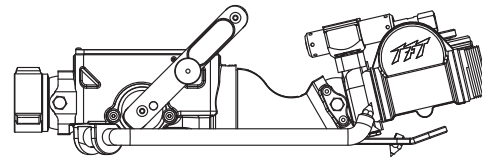
**Add Oscillating Feature to an existing Blitzfire.
 Contact Service Department at 1-800-348-2686.**

PACKAGES

XXC-33
\$5770.00



XXC-33 PACKAGE CONTAINS:



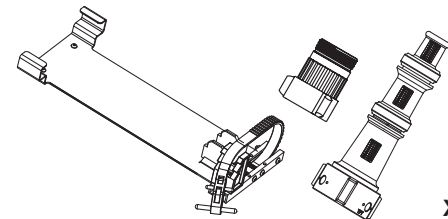
BLITZFIRE OSC MONITOR (Specify Inlet & Outlet)
 STORAGE BRACKET (BLITZFIRE)
 MAX-SERIES TIP (Specify Inlet & Model)

XXC-33NB
\$5770.00

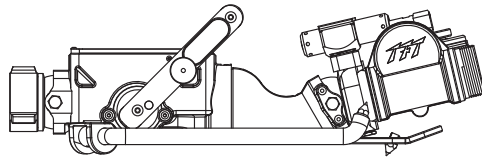


Package does not include storage bracket

XXC-43
\$5435.00



XXC-43 PACKAGE CONTAINS:



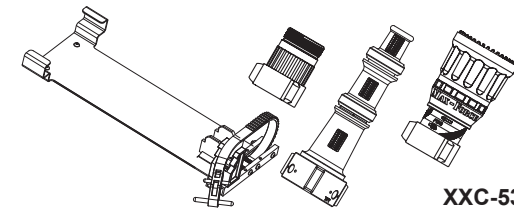
BLITZFIRE OSC MONITOR (Specify Inlet & Outlet)
 STORAGE BRACKET (BLITZFIRE)
 3 STACKED TIPS (Specify Inlet)
 5" (125mm) STREAM STRAIGHTENER (Specify Inlet & Outlet)

XXC-43NB
\$5435.00

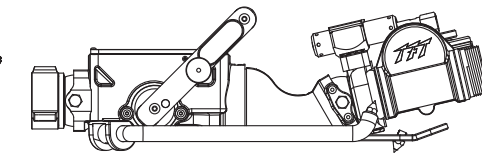


Package does not include storage bracket

XXC-53
\$6215.00



XXC-53 PACKAGE CONTAINS:



BLITZFIRE OSC MONITOR (Specify Inlet & Outlet)
 STORAGE BRACKET (BLITZFIRE)
 MAX-SERIES TIP (Specify Inlet & Model)
 3 STACKED TIPS (Specify Inlet)
 5" (125mm) STREAM STRAIGHTENER (Specify Inlet & Outlet)

XXC-53NB
\$6215.00



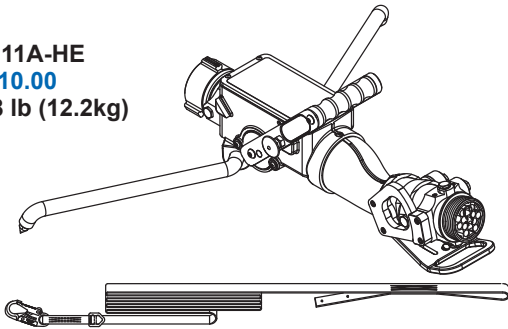
Package does not include storage bracket

BLITZFIRE® HE

High Elevation Portable Monitor with Safety Shut-Off Valve 500 GPM (2000 l/min)

The Task Force Tips' Blitzfire High Elevation is a simple, light, and highly maneuverable attack monitor. The Blitzfire's low elevation angle makes it suitable for use indoors. It can go anywhere a handline goes while delivering much more water. If the Blitzfire starts to slide or lift, the SAFETY SHUT-OFF VALVE automatically shuts off the flow of water. This patented safety feature reduces the risk of injury from an out-of-control appliance. The shut-off action slows near stroke end to reduce the effects of water hammer. To reset the flow, simply open the valve to any of six detent flow positions with the turbulence-free slide valve. The Blitzfire's discharge pivots make directing the stream extremely quick and effortless. Outlet has built-in stream shaper. A unique up/down pivot on the hose inlet allows the monitor to have stability even on porches, stair landings or the like. An anchor strap is included for safe operation on slick surfaces like marble floors. The main body is hard coat anodized aluminum with a blue TFT powder coat finish inside and out.

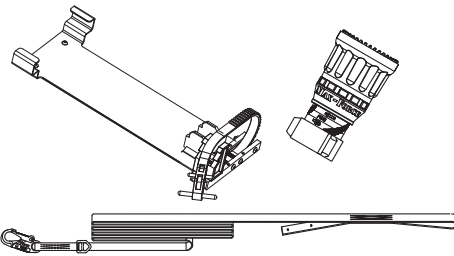
XX111A-HE
\$3810.00
26.8 lb (12.2kg)



XX111A-HE BLITZFIRE MONITOR Flow range up to 500 gpm (2000 l/min). The monitor features low friction inlet and outlet pivots. Outlet has built-in stream shaper. Elevation is manually adjustable between 10 and 86° above horizontal. Horizontal rotation is manually adjustable 20° either side of center. The SAFETY SHUT-OFF VALVE will shut off flow if monitor slides or lifts. It has six detent flow positions with a patented turbulence free slide valve for operator flow control. When the legs are folded, the carbide tips point up for carrying safety. The heavy-duty carbide tipped legs are easily folded out to a wide deployed stance. Stowed in storage bracket overall size is 29.5"L x 8.1"W x 8.5"H (74.9 x 20.6 x 21.6 cm). Standard inlet is 2.5" NH (65mm) rocker lug swivel coupling. Standard outlet is 2.5" NH (65mm) rigid male threads.

PACKAGES

XXC-32-HE
\$4925.00

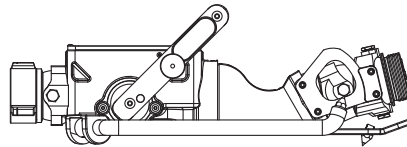


XXC-32-HENB
\$4925.00

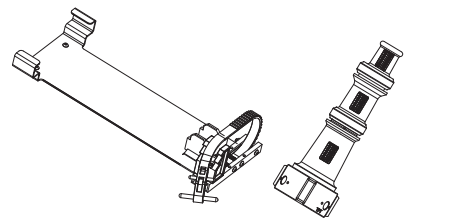
Package does not include storage bracket

XXC-32-HE PACKAGE CONTAINS:

BLITZFIRE HE MONITOR (Specify Inlet & Outlet)
STORAGE BRACKET (BLITZFIRE)
MAX-SERIES TIP (Specify Inlet & Model)



XXC-42-HE
\$4540.00

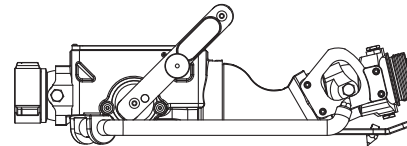


XXC-42-HENB
\$4540.00

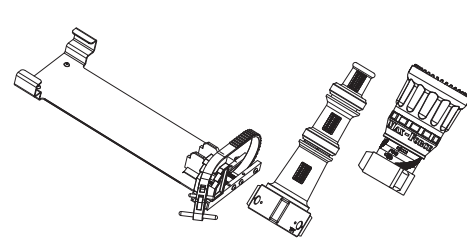
Package does not include storage bracket

XXC-42-HE PACKAGE CONTAINS:

BLITZFIRE HE MONITOR (Specify Inlet & Outlet)
STORAGE BRACKET (BLITZFIRE)
3 STACKED TIPS (Specify Inlet)



XXC-52-HE
\$5410.00

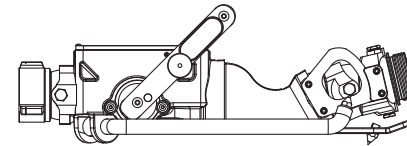


XXC-52-HENB
\$5410.00

Package does not include storage bracket

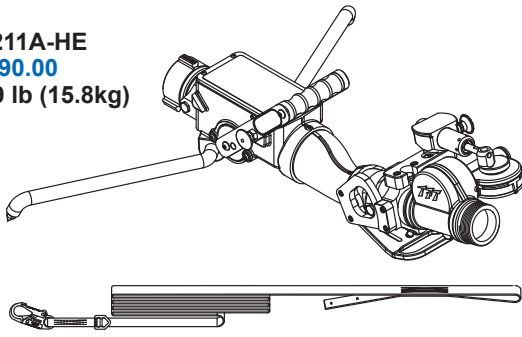
XXC-52-HE PACKAGE CONTAINS:

BLITZFIRE HE MONITOR (Specify Inlet & Outlet)
STORAGE BRACKET (BLITZFIRE)
MAX-SERIES TIP (Specify Inlet & Model)
3 STACKED TIPS (Specify Inlet)



High Elevation Oscillating Portable Monitor with Safety Shut off Valve 500 GPM (2000 l/min)

XX211A-HE
\$4990.00
34.9 lb (15.8kg)

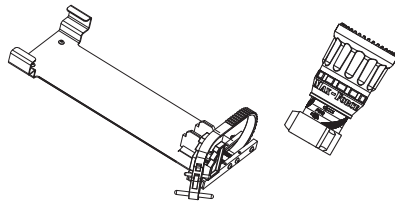


XX211A-HE BLITZFIRE HE OSCILLATING MONITOR Flow range up to 500 gpm (2000 l/min). The monitor features low friction inlet and outlet pivots. Elevation is manually adjustable between 10 and 86° above horizontal. The water driven turbine makes the nozzle automatically sweep 10, 15, or 20° either side of center. The oscillating mechanism can be disengaged and horizontal rotation moved manually. The safety shut-off valve will shut off flow if monitor slides or lifts. It has six detent flow positions with a patented turbulence-free slide valve for operator flow control. When the legs are folded, the carbide tips point up for carrying safety. The heavy-duty carbide tipped legs are easily folded out to a wide deployed stance. Stowed in storage bracket overall size is 37.3"L x 10.5"W x 9.5"H (94.7 x 26.7 x 24.4 cm). Standard inlet is 2.5" NH (64mm) swivel rocker lug coupling. Standard outlet is 2.5" NH rigid male threads.

**Add Oscillating Feature to an existing Blitzfire.
 Contact Service Department at 1-800-348-2686.**

PACKAGES

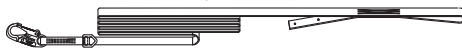
XXC-33-HE
\$6135.00



XXC-33-HE PACKAGE CONTAINS:

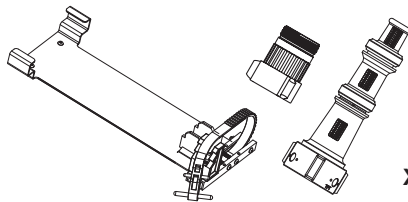
BLITZFIRE HE OSC MONITOR (Specify Inlet & Outlet)
 STORAGE BRACKET (BLITZFIRE)
 MAX-SERIES TIP (Specify Inlet & Model)

XXC-33-HENB
\$6135.00



Package does not include storage bracket

XXC-43-HE
\$5770.00



XXC-43-HE PACKAGE CONTAINS:

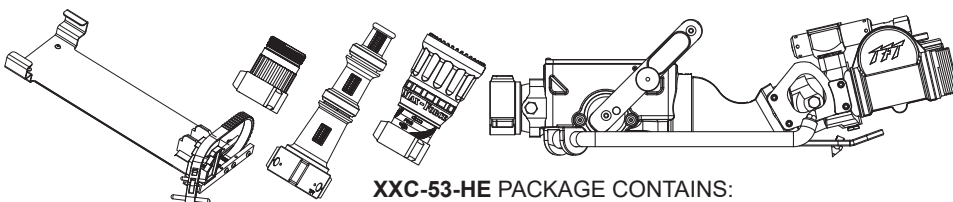
BLITZFIRE HE OSC MONITOR (Specify Inlet & Outlet)
 STORAGE BRACKET (BLITZFIRE)
 3 STACKED TIPS (Specify Inlet)
 5" (125mm) STREAM STRAIGHTENER (Specify Inlet & Outlet)

XXC-42-HENB
\$5770.00



Package does not include storage bracket

XXC-53-HE
\$6550.00



XXC-53-HE PACKAGE CONTAINS:

BLITZFIRE HE OSC MONITOR (Specify Inlet & Outlet)
 STORAGE BRACKET (BLITZFIRE)
 MAX-SERIES TIP (Specify Inlet & Model)
 3 STACKED TIPS (Specify Inlet)
 5" (125mm) STREAM STRAIGHTENER (Specify Inlet & Outlet)

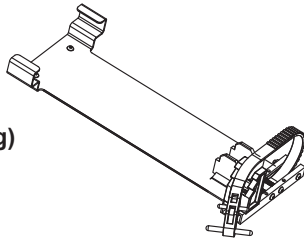
XXC-52-HENB
\$6550.00



Package does not include storage bracket

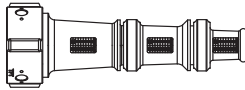
BLITZFIRE® ACCESSORIES

XX-B
\$205.00
 3.4 lb (1.5kg)



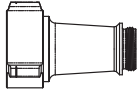
XX-B STORAGE BRACKET BLITZFIRE This stainless steel and hard coat aluminum storage bracket can be mounted for rapid deployment of a pre-connected Blitzfire. Mount on any accessible vertical or horizontal surface. Comes complete with mounting screws. 20"L x 8.5"W x 2"H (50.8 x 21.6 x 5.1cm)

MST-3NJ
\$470.00
 2.3 lb (1.0kg)
 11.80" (3.0cm)



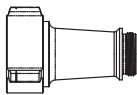
MST-3NJ 3 STACKED TIPS Hard coat anodized aluminum alloy for maximum corrosion protection. Flow charts for each tip are lasered. Tip sizes are 1.5", 1.25", and 1.0" (38, 32 and 25mm) diameter. Small tips may be removed for break and extend operations with a 1.5" NH (38mm) hose thread. Standard swivel inlet is 2.5" NH (64mm).

JSST10
\$180.00
 1.8 lb (0.7kg)
 5.90" (14.9cm)



JSST10 STRAIGHT TIP 1.125 BORE X 2.5" FEMALE INLET with smooth inside taper to 1.5" NH (38mm) threaded male outlet. 2.5" NH (64mm) rocker lug full-time swivel coupling inlet standard. All lightweight materials.

JSST11
\$180.00
 1.8 lb (0.7kg)
 5.90" (14.9cm)



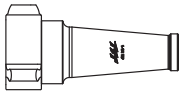
JSST11 STRAIGHT TIP 1.25 (32mm) BORE X 2.5" NH (65mm) INLET with smooth inside taper to 1.5" NH (38mm) threaded male outlet. 2.5" NH (64mm) rocker lug full-time swivel coupling inlet standard. All lightweight materials.

JSS10
\$180.00
 1.6 lb (0.7kg)
 7.91" (20.1cm)



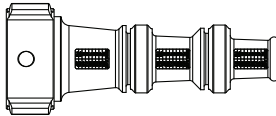
JSS10 STRAIGHT TIP - 2.5" NH (64mm) INLET with smooth inside taper to 1 1/8" (28mm) tip. This lightweight tip is hard coat anodized and has easy to read pressure/flow charts laser engraved in standard and metric units. 2.5" NH (64mm) rocker lug full-time swivel coupling inlet standard. All lightweight materials.

JSS11
\$180.00
 1.8 lb (0.7kg)
 7.93" (20.1cm)



JSS11 STRAIGHT TIP - 2.5" NH (64mm) INLET with smooth inside taper to 1.25" (32mm) tip. This lightweight tip is hard coat anodized and has easy to read pressure/flow charts laser engraved. 2.5" NH (64mm) rocker lug full-time swivel coupling inlet standard. All lightweight materials.

MST-2NJ
\$470.00
 2.1 lb (1.0kg)
 9.63" (24.4cm)



Designed for monitor use, these lightweight tips are hard coat anodized, allow three orifice options in one, and have pressure/flow charts laser engraved on each tip. 2.5" NH (64mm) swivel coupling is standard.

MST-5NJ
\$470.00
 3.0 lb (1.4kg)
 11.70" (30.0cm)

MST-6NJ
\$470.00
 2.3 lb (1.0kg)
 13.30" (34.0cm)

Tether / Retention kit is available on page 210 (TETHER01-KIT)

Model #	Orifice Openings
MST-2NJ	1.25", 1.125", and 1.0" (32mm, 29mm, and 25mm)
MST-5NJ	1.75", 1.5", and 1.375" (44mm, 38mm, and 35mm)
MST-6NJ	2.0", 1.5", and 0.75" (51mm, 38mm, and 19mm)

MAX-SERIES NOZZLES

FoamJet Model for Max-Series FJ-MX-MD - Page 50

MAX-FORCE™

MD12A
\$1180.00
 6.7 lb (3.0kg)
 9.00" (22.9cm)



MD12A MAX-FORCE DUAL PRESSURE AUTOMATIC TIP 2.5" NH (64mm) - with a flow capacity of 100-500 gpm (400-2000 l/min). The nozzle may be switched between standard 100 psi (7 bar) and a low pressure mode 55 psi (4bar) by twisting a knob on the front of the nozzle. The pattern adjusts from straight stream to a 120° wide fog. Further rotation opens the tip to flush 3/8" (10mm) debris without shutting down. Hard coat anodized aluminum with rubber bumper. Standard inlet is 2.5" NH (64mm) rocker lug swivel.

MAX-MATIC™

MD18A
MD17A
\$1125.00
 6.5 lb (2.9kg)
 9.00" (22.9cm)



MD18A MAX-MATIC 100 PSI AUTOMATIC TIP 2.5" NH (64mm) - Automatic pressure control with a flow capacity of 100-500 gpm (400-2000 l/min). The nozzle operates at a standard 100 psi (7 bar). The pattern adjusts from straight stream to a 120° wide fog. Further rotation opens the nozzle to flush 3/8" (10mm) debris without shutting down. Hard coat anodized aluminum with rubber bumper. Standard inlet is 2.5" NH (64mm) rocker lug swivel.

MD17A MAX-MATIC 80 PSI - LOW PRESSURE VERSION - Same as MD18A above, but operates at a low pressure of approximately 80 psi (6 bar).

MAX-FLOW™

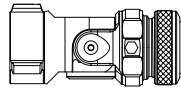
MD14A
\$1100.00
 6.5 lb (2.9kg)
 9.00" (22.9cm)



MD14A MAX-FLOW 500 GPM FIXED GALLONAGE - (2000 l/min) The fixed orifice tip is ideal for high rise attack when pressure fluctuations can be extreme. The nozzle will operate with pressures as low as 30 psi (2 bar). The pattern adjusts from straight stream to a 120° wide fog. Further rotation opens the nozzle to flush 3/8" (10mm) debris without shutting down. Hard coat anodized aluminum with rubber bumper. Standard inlet is 2.5" NH (64mm) rocker lug swivel.

The Flip Tip 2 can quickly and securely be switched between two nozzles during firefighting operations. The smooth bore model allows selection between a front and a rear smooth bore nozzle. The Max-Series model allows selection with a front Max-Series (Max-Force, Max-Matic, or Max-Flow) nozzle and a rear smooth bore. Intended to be used on portable or fixed monitors such as the Blitzfire or Crossfire. Standard inlet is 2.5"NH (64mm) rocker lug swivel.

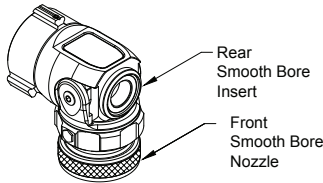
FTJJ21
\$750.00
 5.6 lb (2.5 kg)
 8.60" (22.0 cm)



FTJ

(Choose Inlet, Rear & Front Nozzle from chart below) **Rear Nozzle MUST be larger than Front Nozzle** Example: A 2.5" (64mm) Rocker lug Female Swivel Inlet with a rear 1.25" (32mm) nozzle and a front 1" (25mm) nozzle would be

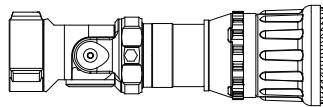
FTJ J 2 1



Flip Tip2 with Smooth Bore Front Nozzle

Series	Inlet		Rear Nozzle		Front Nozzle	
FTJ	J	2.5" NH (65mm) Female				
			2	1.125" (28mm)	1	1.0" (25mm)
			3	1.375" (35mm)	2	1.125" (28mm)
			4	1.5" (38mm)	3	1.375" (35mm)
			5	1.75" (44mm)	4	1.5" (38mm)
			6	2.0" (51mm)		

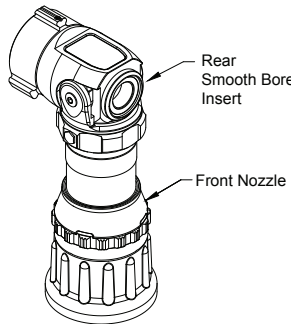
FTMJ5A
\$1605.00
 9.8 lb (4.5 kg)
 15.00" (38.0cm)



FTM

(Choose Inlet, Rear & Front Nozzle from chart below) Example: A 2.5" (64mm) Rocker lug Female Swivel Inlet with a rear 1.75" (44mm) nozzle and a front Max-Force Dual Pressure Automatic nozzle would be

FTM J 5 A



Flip Tip2 with Max-Series Front Nozzle

Series	Inlet		Rear Nozzle		Front Nozzle	
FTM	J	2.5" NH (65mm) Female				
			3	1.375" (35mm)	A	Max-Force
			4	1.5" (38mm)	B	Max-Flow
			5	1.75" (44mm)	C	Max-Matic 80 psi (5.5 bar)
			6	2.0" (51mm)	D	Max-Matic 100 psi (7bar)

See page 60 for specifications on Front Nozzle choices.

MAX-SERIES NOZZLES

How to order a Max-Series Nozzle

Choose one option from each category. For example, Model MD27A is a MAX-MATIC low pressure 80 psi (6 bar) automatic nozzle with BSP threads. For assistance in ordering, please call 1-800-348-2686 and speak to a nozzle specialist.



MD

INLET (Swivel)		PRESSURE FLOW OPTIONS	
1) NH FEMALE	2 = Dual Pressure 55/100 PSI (4/7 bar)		
2) BSP FEMALE	4 = Fixed Gallonage 500 GPM (2000 l/min)		
3) NPSH FEMALE	7 = Automatic Low Pressure 80 PSI (6 bar)		
4) SPECIAL THREADS	8 = Automatic 100 PSI (7 bar)		

A

\$4600.00

XXC-32 CONTAINS:
BLITZFIRE MONITOR
STORAGE BRACKET
MAX-SERIES TIP

\$4210.00

XXC-42 CONTAINS:
BLITZFIRE MONITOR
STORAGE BRACKET
STACKED TIPS

\$5035.00

XXC-52 CONTAINS:
BLITZFIRE MONITOR
STORAGE BRACKET
MAX-SERIES TIP
STACKED TIPS

\$4600.00

XXC-32NB CONTAINS:
BLITZFIRE MONITOR
MAX-SERIES TIP

\$4210.00

XXC-42NB CONTAINS:
BLITZFIRE MONITOR
STACKED TIPS

\$5035.00

XXC-52NB CONTAINS:
BLITZFIRE MONITOR
MAX-SERIES TIP
STACKED TIPS

\$5770.00

XXC-33 CONTAINS:
BLITZFIRE OSC
MONITOR
STORAGE BRACKET
MAX-SERIES TIP

\$5435.00

XXC-43 CONTAINS:
BLITZFIRE OSC
MONITOR
STORAGE BRACKET
STACKED TIPS

\$6215.00

XXC-53 CONTAINS:
BLITZFIRE OSC MONITOR
STORAGE BRACKET
MAX-SERIES TIP
STACKED TIPS

\$5770.00

XXC-33NB CONTAINS:
BLITZFIRE OSC
MONITOR
MAX-SERIES TIP

\$5435.00

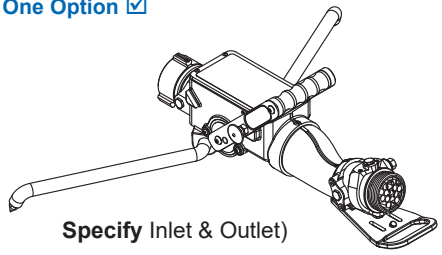
XXC-43NB CONTAINS:
BLITZFIRE OSC
MONITOR
STACKED TIPS

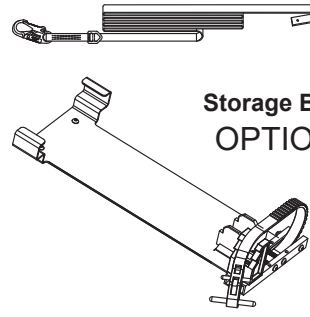
\$6215.00

XXC-53NB CONTAINS:
BLITZFIRE OSC MONITOR
MAX-SERIES TIP
STACKED TIPS

MONITOR

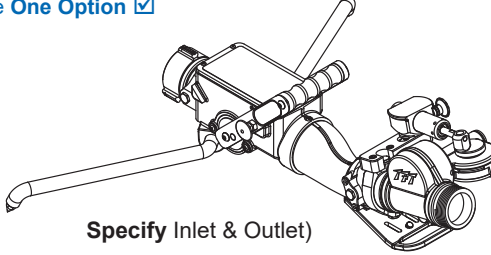
Choose One Option

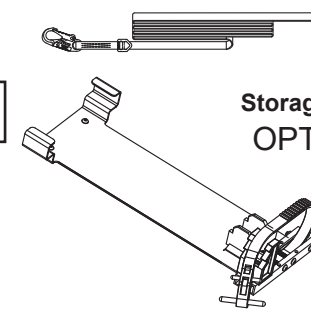
 Specify Inlet & Outlet)

 Storage Bracket
OPTIONAL

MONITOR OSC


Choose One Option

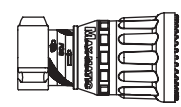
 Specify Inlet & Outlet)

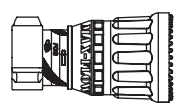
 Storage Bracket
OPTIONAL

CHOICE OF NOZZLE

Choose One Option *Included in Packages XXC-32, XXC-32NB, XXC-52, XXC-52NB, XXC-33, XXC-33NB, XXC-53 and XXC-53NB*

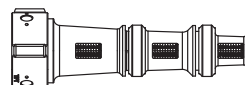
 **MD12A — Max-Force 2.5"NH**
Dual Pressure Automatic Nozzle
100-500 gpm flow range
(400-2000 l/min)

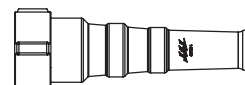
 **MD18A — Max-Matic 2.5"NH**
Automatic Pressure Nozzle
100-500 gpm flow range
(400-2000 l/min)

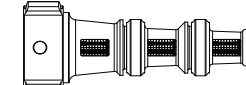
 **MD14A — Max-Flow 2.5"NH**
Fixed Pressure Nozzle
500 gpm flow range
(2000 l/min)

CHOICE OF TIP

Choose One Option *Included in Packages XXC-42, XXC-42NB, XXC-52, XXC-52NB, XXC-43, XXC-43NB, XXC-53 and XXC-53NB*

 **MST-3NJ — 3 Stacked Tip**
2.5"NH (65mm)
1.0, 1.25 and 1.5"
(25, 32 and 38mm) tip sizes

 **JSS13-CAFS — Straight Tip**
2.5"NH (65mm)
1.375 (35mm) Smooth taper tip

 **MST-5NJ — Stacked Tips**
2.5"NH (65mm)
1.375, 1.5 and 1.75"
(35, 38 and 44mm) tips

BLITZFIRE HE Package Order Assistance

\$4925.00

XXC-32-HE
BLITZFIRE HE
MONITOR
STORAGE BRACKET
MAX-SERIES TIP

\$4540.00

XXC-42-HE
BLITZFIRE HE
MONITOR
STORAGE BRACKET
STACKED TIPS

\$5410.00

XXC-52-HE
BLITZFIRE HE MONITOR
STORAGE BRACKET
MAX-SERIES TIP
STACKED TIPS

\$6135.00

XXC-33-HE
BLITZFIRE HE OSC
MONITOR
STORAGE BRACKET
MAX-SERIES TIP

\$5770.00

XXC-43-HE
BLITZFIRE HE OSC
MONITOR
STORAGE BRACKET
STACKED TIPS

\$6550.00

XXC-53-HE
BLITZFIRE HE OSC MONITOR
STORAGE BRACKET
MAX-SERIES TIP
STACKED TIPS

\$4925.00

XXC-32-HENB
BLITZFIRE HE
MONITOR
MAX-SERIES TIP

\$4540.00

XXC-42-HENB
BLITZFIRE HE
MONITOR
STACKED TIPS

\$5410.00

XXC-52-HENB
BLITZFIRE HE MONITOR
MAX-SERIES TIP
STACKED TIPS

\$6135.00

XXC-33-HENB
BLITZFIRE HE OSC
MONITOR
MAX-SERIES TIP

\$5770.00

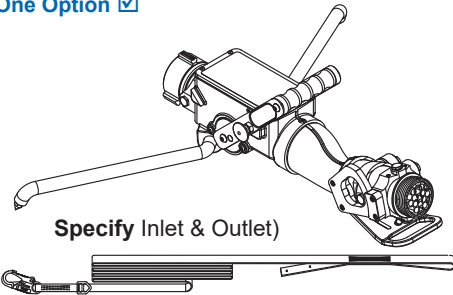
XXC-43-HENB
BLITZFIRE HE OSC
MONITOR
STACKED TIPS

\$6550.00

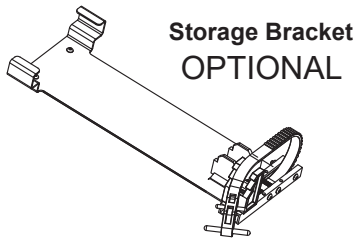
XXC-53-HENB
BLITZFIRE HE OSC MONITOR
MAX-SERIES TIP
STACKED TIPS

MONITOR

Choose One Option



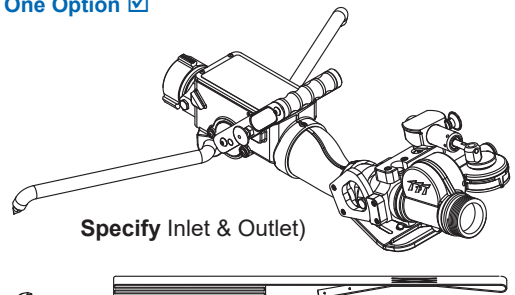
Specify Inlet & Outlet)



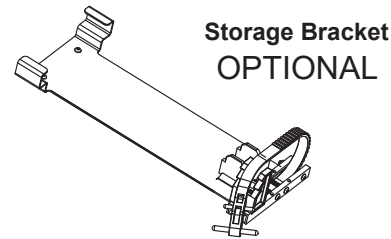
Storage Bracket
OPTIONAL

MONITOR OSC

Choose One Option



Specify Inlet & Outlet)



Storage Bracket
OPTIONAL

CHOICE OF NOZZLE

Choose One Option

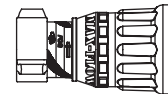
Included in Packages XXC-32-HE, XXC-32-HENB, XXC-52-HE, XXC-52-HENB, XXC-33-HE, XXC-33-HENB, XXC-53-HE and XXC-53-HENB



MD12A — Max-Force 2.5"NH
Dual Pressure Automatic Nozzle
100-500 gpm flow range
(400-2000 l/min)



MD18A — Max-Matic 2.5"NH
Automatic Pressure Nozzle
100-500 gpm flow range
(400-2000 l/min)

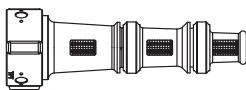


MD14A — Max-Flow 2.5"NH
Fixed Pressure Nozzle
500 gpm flow range
(2000 l/min)

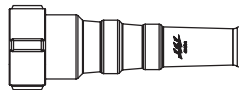
CHOICE OF TIP

Choose One Option

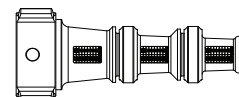
Included in Packages XXC-42-HE, XXC-42-HENB, XXC-52-HE, XXC-52-HENB, XXC-43-HE, XXC-43-HENB, XXC-53-HE and XXC-53-HENB



MST-3NJ — 3 Stacked Tip
2.5"NH (65mm)
1.0, 1.25 and 1.5"
(25, 32 and 38mm) tip sizes



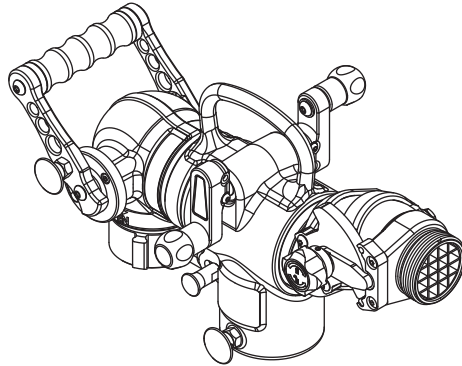
JSS13-CAFS — Straight Tip
2.5"NH (65mm)
1.375 (35mm) Smooth taper tip



MST-5NJ — Stacked Tips
2.5"NH (65mm)
1.375, 1.5 and 1.75"
(35, 38 and 44mm) tips

Transportable Monitor 500 GPM (2000 l/min)

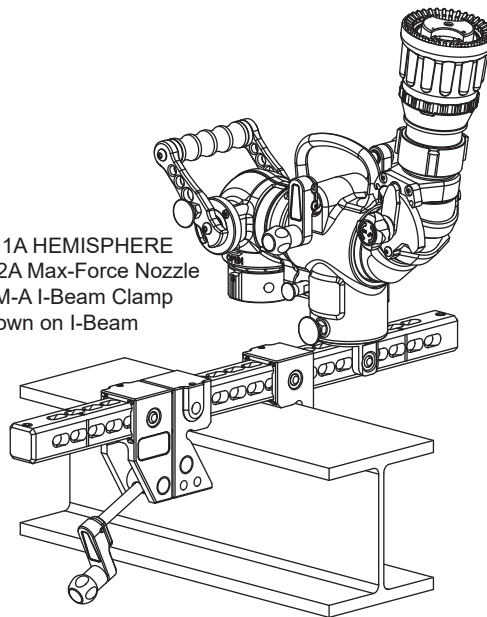
The HEMISPHERE is a versatile, lightweight, and quick to deploy portable monitor that gives the user the ability to quickly establish water flow in locations that ground monitors cannot. Since the Hemisphere doesn't rely on gravity for stability, it can be pointed horizontal and down, in addition to up, unlike portable ground monitors. The rotating, swiveling waterway allows the stream to be pointed in virtually any direction within a hemispherical range without interrupting water flow. A variety of mounts, including an I-beam clamp that doubles as a 2" (51mm) hitch mount, a dedicated hitch mount, and fixed mounts provide the user the ability to quickly attach the monitor and establish coverage on the fire ground or in preplanned locations. An integrated quarter-turn aluminum half ball valve with locking bail handle provides shutoff capability. The monitor and valve bodies are hard coat anodized aluminum inside and out with a blue TFT powder coat finish.



**Dimensional Maximum
HPM111A**
\$3210.00
 22.5 lb (10.2 kg)
 12.0" (30.5 cm) Height
 12.2" (31.0 cm) Width
 22.5" (57.2 cm) Depth

HPM111A HEMISPHERE MONITOR - Flow range up to 500 gpm (2000 l/min). The monitor features a swiveling 90 degree valved inlet and a rotating swiveling outlet. The outlet is manually adjustable via a double ball swivel, angled 40 degrees from the main waterway, capable of sweeping 80 degrees, and can be rotated about the main waterway a full 360 degrees by a hand crank. Outlet has a built-in stream straightener. The quarter turn ball valve has a bail type handle, which locks in the closed position, to prevent accidental discharge. Attachment to the various mounting options is as easy as sliding the socket at the base of the monitor onto the quick attach mount. A rotation release lever that is separate from the release pin allows the monitor to be rotated about its mount without the need to release the monitor from its mount. Water pressurized pins prevent the monitor from rotating or releasing while flowing. A built-in carrying handle and lightweight aluminum construction make transport and deployment quick and easy. Standard inlet is 2.5" NH (65mm) rocker lug coupling. Standard outlet is 2.5" NH (65mm) rigid male threads.

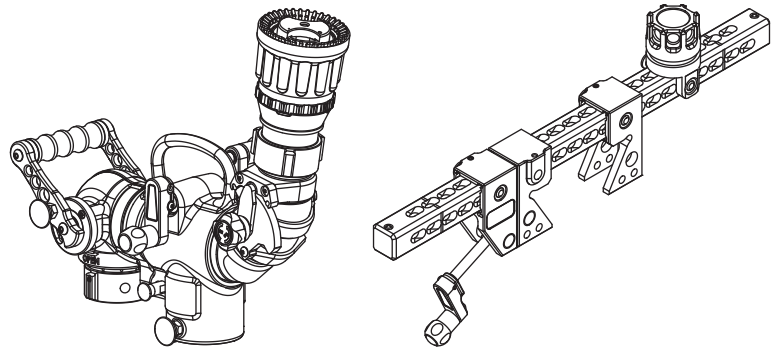
HPM111A HEMISPHERE
 with MD12A Max-Force Nozzle
 on HPM-A I-Beam Clamp
 Shown on I-Beam



Combination Packages Transportable Monitor

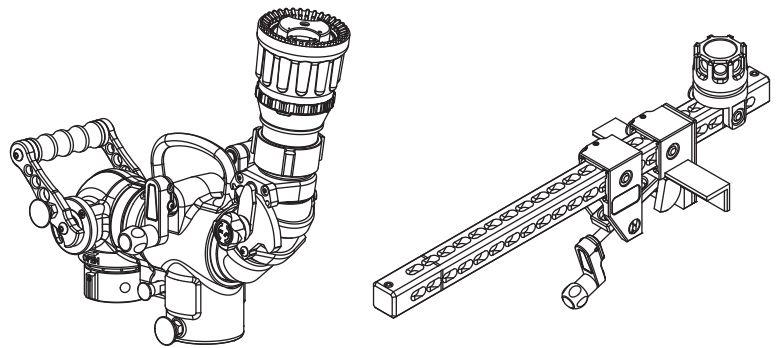
HPM-32
\$5430.00

HPM-32 PACKAGE CONTAINS:
HPM111A HEMISPHERE MONITOR
HPM-A I BEAM CLAMP/2" (51mm)
 HITCH MOUNT
MD12A MAX-SERIES TIP



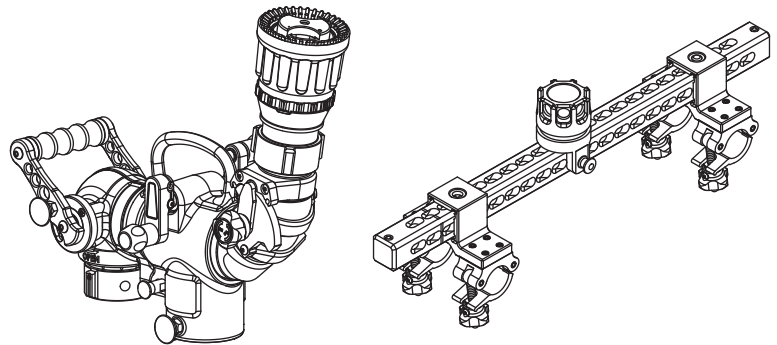
HPM-42
\$5430.00

HPM-42 PACKAGE CONTAINS:
HPM111A HEMISPHERE MONITOR
HPM-F TANK LIP CLAMP/2" (51mm)
 HITCH MOUNT
MD12A MAX-SERIES TIP



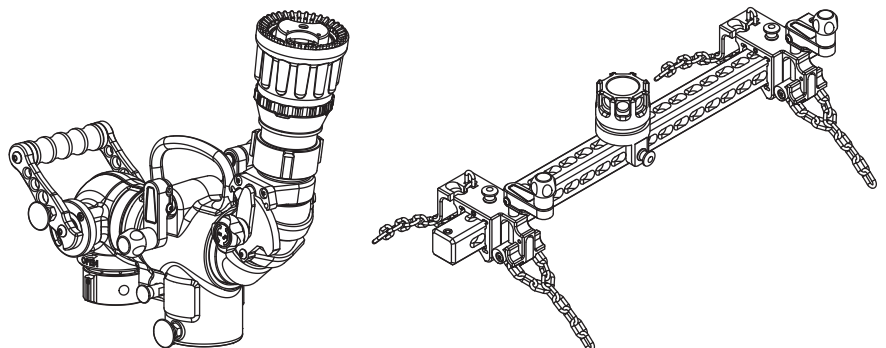
HPM-52
\$5430.00

HPM-52 PACKAGE CONTAINS:
HPM111A HEMISPHERE MONITOR
HPM-G PARALLEL BAR CLAMP/2" (51mm)
 HITCH MOUNT
MD12A MAX-SERIES TIP



HPM-62
\$5430.00

HPM-62 PACKAGE CONTAINS:
HPM111A HEMISPHERE MONITOR
HPM-H FLEX CLAMP / HITCH MOUNT
MD12A MAX-SERIES TIP



Dimensional Maximum

HPM-A

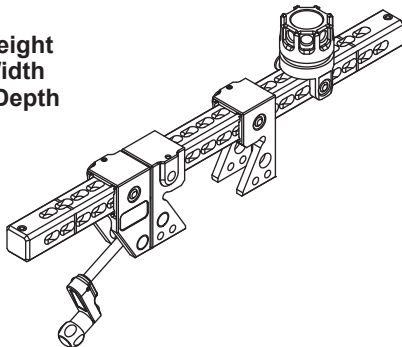
\$1045.00

19.2 lb (8.7 kg)

5.7" (39.9 cm) Height

6.4" (16.3 cm) Width

33.1" (84.1 cm) Depth



HPM-A I BEAM CLAMP/2" HITCH MOUNT - This hard coat anodized aluminum and stainless steel clamp can be quickly attached to an I-beam and other objects, such as stair rails, by one person without the use of tools. The mount and clamp jaws can be moved to any of the 42 positions on the backbone for maximum versatility. Detented pins hold the mount and jaws in place and a travel stop keeps the pins attached to prevent them from being dropped or lost. Once the clamp is secured, the Hemisphere monitor is attached to the clamp by sliding the socket at the base of the monitor over the mount. The jaws can be removed and the backbone can be inserted into any standard 2" (51mm) hitch giving the ability to quickly add a monitor to most vehicles without costly modifications.

Dimensional Maximum

HPM-F

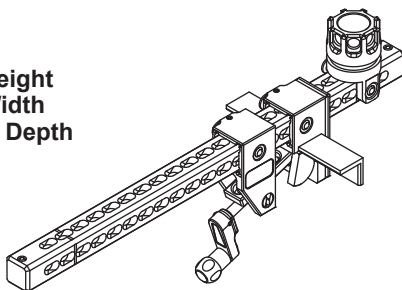
\$1020.00

22.0 lb (10.0 kg)

5.7" (39.9 cm) Height

6.4" (16.3 cm) Width

33.10" (84.1 cm) Depth



HPM-F TANK LIP CLAMP/2" HITCH MOUNT - This hard coat anodized aluminum and stainless steel clamp can be quickly attached to a tank lip by one person without the use of tools. The mount and jaws can be moved to any of the 42 positions on the backbone for maximum versatility. Detented pins hold the mount and jaws in place and a travel stop keeps the pins attached to prevent them from being dropped or lost. Once the clamp is attached the Hemisphere monitor is secured to the clamp by sliding the socket at the base of the monitor over the mount. The clamp arm and fixed end can be removed and the backbone can be inserted into any standard 2" (51mm) hitch giving the ability to quickly add a monitor to most vehicles without costly modifications.

Dimensional Maximum

HPM-G

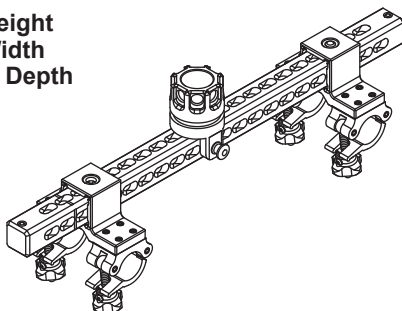
\$1020.00

20.6 lb (9.3 kg)

5.7" (39.9 cm) Height

6.4" (16.3 cm) Width

33.10" (84.1 cm) Depth



HPM-G PARALLEL BAR CLAMP/2" HITCH MOUNT - This hard coat anodized aluminum and stainless steel clamp can be quickly attached to industrial scaffolding by one person without the use of tools. The mount and jaws can be moved to any of the 42 positions on the backbone for maximum versatility. Detented pins hold the mount and jaws in place and a travel stop keeps the pins attached to prevent them from being dropped or lost. Once the clamp is secured the Hemisphere monitor is attached to the clamp by sliding the socket at the base of the monitor over the mount. The jaws can be removed and the backbone can be inserted into any standard 2" (51mm) hitch giving the ability to quickly add a monitor to most vehicles without costly modifications.

Dimensional Maximum

HPM-H

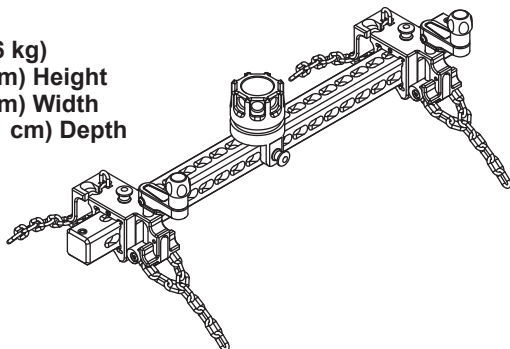
\$1020.00

25.5 lb (11.6 kg)

7.7" (19.6 cm) Height

9.2" (23.4 cm) Width

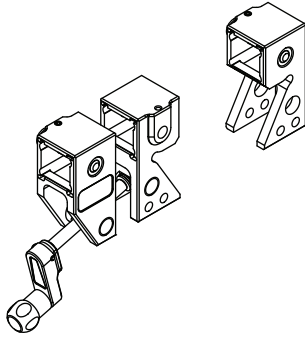
33.10" (84.1 cm) Depth



HPM-H FLEX CLAMP / HITCH MOUNT - This hard coat anodized aluminum, stainless steel, and galvanized steel clamp can be quickly attached to round and various other odd shaped objects by one person without the use of tools. The mount and chain blocks can be moved to any of the 42 positions on the backbone for maximum versatility. Detented pins hold the mount and chain blocks in place and travel stops keep the pins secured to prevent them from being dropped or lost. Once the clamp is attached the Hemisphere monitor is attached to the clamp by sliding the socket at the base of the monitor over the mount. The chain blocks can be removed and the backbone can be inserted into any standard 2" (51mm) hitch giving the ability to quickly add a monitor to most vehicles without costly modifications.

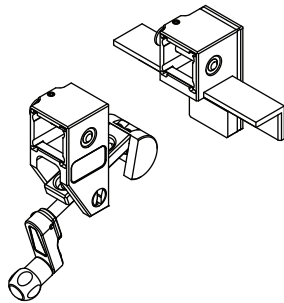
Transportable Monitor

HPM-J
\$805.00
 7.7 lb (3.5 kg)



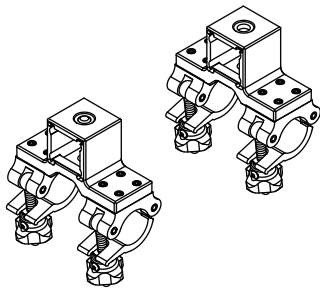
HPM-J I-BEAM CLAMP JAWS - Hard coat anodized aluminum and stainless steel clamp jaws attach to the 2" (51mm) backbone/hitch mount to provide a clamp that can be quickly attached to an I-beam and other objects by one person without the use of tools.

HPM-K
\$805.00
 10.5 lb (4.8 kg)



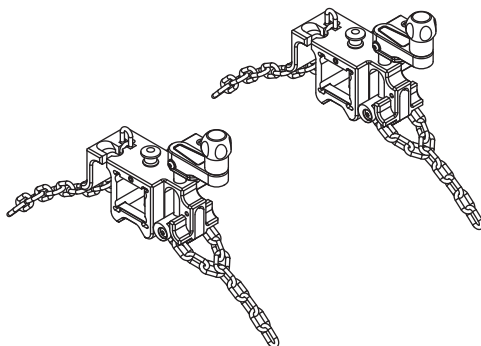
HPM-K TANK LIP CLAMP JAWS - Hard coat anodized aluminum and stainless steel clamp jaws attach to the 2" (51mm) backbone/hitch mount to provide a clamp that can be quickly attached to a tank lip by one person without the use of tools.

HPM-L
\$805.00
 9.1 lb (4.1 kg)



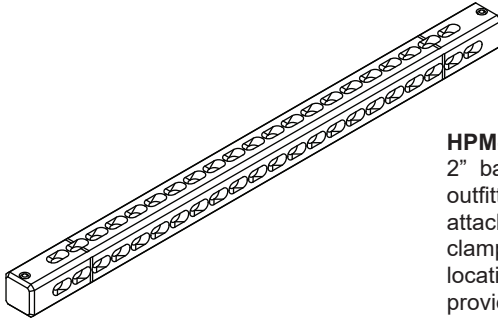
HPM-L PARALLEL BAR CLAMP JAWS - Hard coat anodized aluminum and stainless steel clamp jaws attach to the 2" (51mm) backbone/hitch mount to provide a clamp that can be quickly attached to industrial scaffolding by one person without the use of tools.

HPM-M
\$805.00
 14.0 lb (6.4 kg)



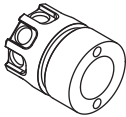
HPM-M FLEX CLAMP CHAIN BLOCKS - Hard coat anodized aluminum, stainless steel, and galvanized steel chain blocks attach to the 2" (51mm) backbone/hitch mount to provide a clamp that can be quickly attached to round and odd shaped objects by one person without the use of tools.

HPM-N
\$220.00
9.4 lb (4.3 kg)



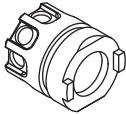
HPM-N 2" BACKBONE/HITCH MOUNT - Hard coat anodized aluminum 2" backbone/hitch mount can be installed in a standard 2" hitch and outfitted with a cross pin mount and Hemisphere monitor to provide a quick attach mobile monitor. It can also be outfitted with any of several different clamping attachments to extend the Hemisphere's range of operations to locations that had never before been possible. 42 different pin positions provide maximum versatility.

HPM-B
\$140.00
1.9 lb (0.9 kg)



HPM-B FIXED MOUNT - This hard coat anodized aluminum fixed mounting base is a great solution for adding coverage in areas where it is costly or impractical to install fixed piping and a dedicated monitor. These mounts also work well for pre-planning for fast, precise monitor placement.

HPM-C
\$140.00
1.9 lb (0.9 kg)



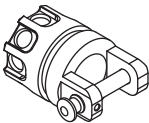
HPM-C HITCH MOUNT - This hard coat anodized aluminum mount can be attached to any standard 2" hitch ball mount using the existing ball, nut, and lock washer. Since the mount attaches using the existing ball, the hitch ball mount can still be used for towing.

HPM-D
\$50.00
0.8 lb (0.4 kg)



HPM-D MOUNTING BLOCK - This hard coat anodized aluminum mounting block and bracket can be used as a fixed mount for flowing, or as a storage bracket for the Hemisphere monitor. This mount can be bolted from the front of a sufficiently rigid surface by adding two 1/2"-13 tapped holes. It can also be bolted from the back side of a surface by drilling two (2) 5/8" holes, and screwing 5/8-11 bolts into tapped holes on the bracket.

HPM-E
\$140.00
2.1 lb (1.0 kg)



HPM-E CROSS-PIN MOUNT - This hard coat anodized aluminum mount is the same mount that comes with the HPM-A, HPM-F, HPM-G, and HPM-H clamps. The cross-pin is detented to prevent the pin from detaching and getting lost or dropped. This mount also attaches to HPM-D mounting blocks.

GREEN Category Apparatus Products

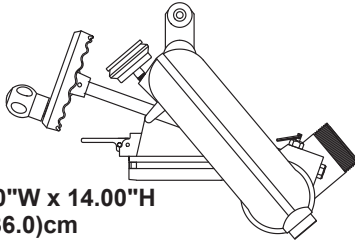
The GREEN category includes apparatus products that typically are related to flow and water movement and are delivered with new apparatus or commonly added as replacement components. This category includes intake valves, manifolds, wyes, siamese, and strainers, and the Crossfire monitor.

CROSSFIRE MONITOR	70-74
BALL INTAKE VALVES	75-101
HYDRANT AND HI-RISE VALVES	102-103
FORESTRY TEE, IN-LINE AND GATED VALVES	104
GATED WYES AND SIAMESE	
2.5" (65mm) Gated Wyes and Siamese	105-108
LDH Gated Wyes.....	109
Jumbo Siamese and Gated Wyes	110-113
WATER THIEFS AND MANIFOLDS	114-117
OASIS HYDRANT ASSIST	118-119
IN-LINE VALVES	120-121
STRAINERS	122-123

Portable/Deck Gun Monitor 1250 GPM (4750 l/min)

The CROSSFIRE monitor is the most versatile master stream appliance ever offered to the fire service. Its lightweight, compact design and unique quick-release swivel joint allow for a faster and safer stream deployment in the portable attack mode. The Safe-Tak 1250 utilizes the revolutionary, patented Safe-Tak "flow safety valve." Should the monitor lose contact with the ground surface, the Safe-Tak will automatically reduce flow to the monitor. This safety feature reduces the risk of injury from an out-of-control appliance. Monitor top and base are hard coat anodized aluminum with a powder coat finish inside and out.

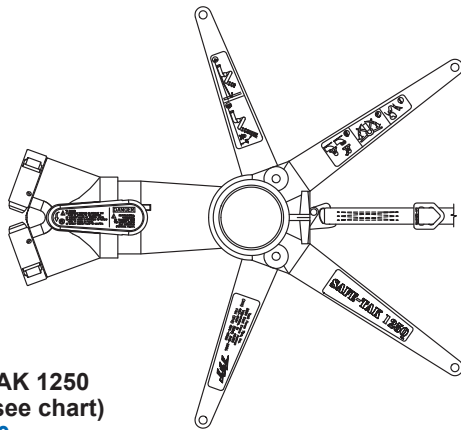
XFT-NJ
\$1900.00
 17.0 lb (7.5kg)
 22.00"L x 14.00"W x 14.00"H
 (56.0 x 36.0 x 36.0)cm



XFT-NJ CROSSFIRE MONITOR TOP 2.5"NH (65mm) OUTLET can be connected to either a portable base or a truck with the adapters on page 70 or a TFT Extend-A-Gun with XL outlet on page 137. The connection is easy, positive, and visually verified. When in use, the release is "locked out" by water pressure. The waterway is a large 3.25" (83mm) which lets the CROSSFIRE deliver up to 1250 gpm (4750 l/min) with low friction loss. Horizontal rotation is securely locked with a simple lever, and position can be visually confirmed. Only seven (7) turns of the handwheel change the discharge elbow from vertical to the stop elevation. Includes highly visible pressure gauge and built-in automatic drain valve. Standard outlet thread is male 2.5" NH (65mm).

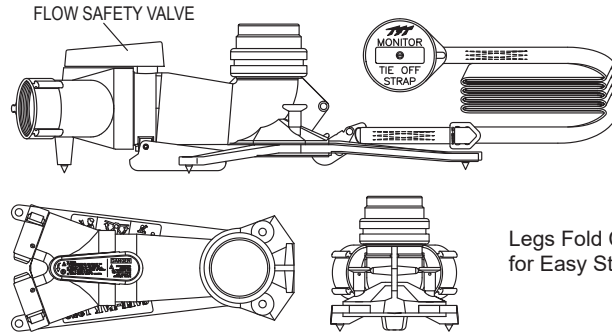
SAFE-TAK 1250™

Portable Base With Safety Valve



SAFE-TAK 1250
XFH (see chart)**
\$2630.00

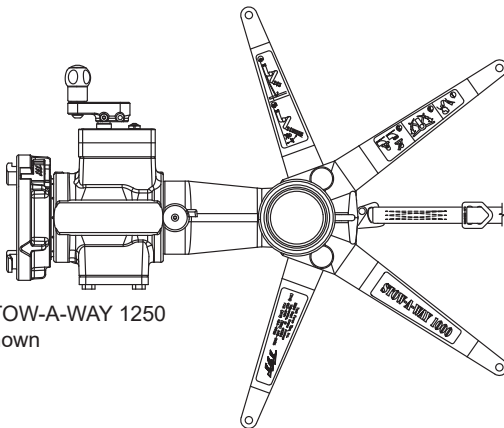
SAFE-TAK 1250 PORTABLE BASE WITH SAFE-TAK VALVE is supplied with either two clappered swivel inlets or with a single full-time swivel inlet. The stainless steel, carbide-tipped base support legs can be folded to easily fit inside a small apparatus compartment, or for carrying pre connected to a hose line. Includes a safety tie-down strap with attached storage cap.



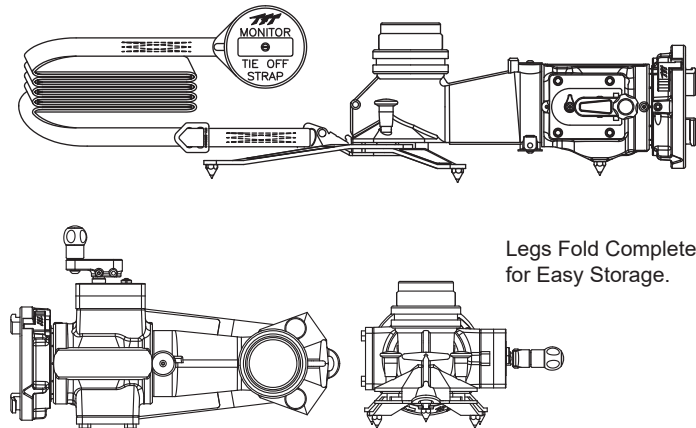
Legs Fold Completely for Easy Storage.

STOW-A-WAY 800
XFL (see chart)**
\$2090.00

The **STOW-A-WAY 800 PORTABLE BASE WITHOUT SAFE-TAK VALVE** is supplied with either two clappered swivel inlets or with a single full-time swivel inlet. Includes a safety tie-down strap with attached storage cap. STOW-A-WAY 800 portable base is not equipped with SAFE-TAK™ "Flow Safety Valve." Maximum recommended flow with Stow-A-Way Base in portable mode is 800 gpm (3500 l/min). Order XF500-KIT Option \$570.00 to add a flow safety valve. Weight of safety valve is 3.1 lb (1.4kg).



STOW-A-WAY 1250 Shown



Legs Fold Completely for Easy Storage.

STOW-A-WAY 1250 VALVED BASE UNIT
XFAN. (see chart)**
\$3965.00

The **STOW-A-WAY 1250 PORTABLE BASE WITH VALVE** is supplied with single full-time swivel inlet. High volume/low loss valve meets NFPA slow close requirements. Includes a safety tie-down strap with attached storage cap. The stainless steel, carbide-tipped base support legs can be folded to fit inside compartments or for carrying preconnected to a hose line. STOW-A-WAY 1250 portable base is not equipped with SAFE-TAK™ "Flow Safety Valve." Maximum recommended flow with Stow-A-Way 1250 Valved Base in portable mode is 1250 gpm (4750 l/min).

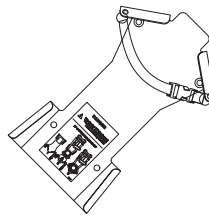
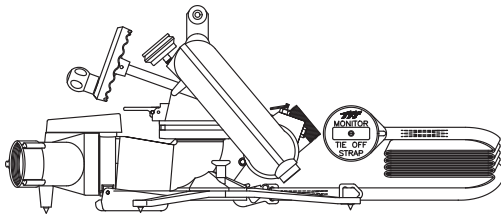
PORTABLE BASE INLET CHART - Please specify inlet thread.										
Safe-Tak 1250 Model #	Stow-A-Way 800 Model #	Stow-A-Way Valved Base Unit	# Inlets	Inlet Size	Safe-Tak 1250		Stow-A-Way 800		Valved Base Unit	
					lbs	kg	lbs	kg	lbs	kg
XFH-1NL	XFL-1NL	XFAN-1NL	1	3.0" NH (75mm)	25.4	11.5	22.3	10.1	31.4	14.2
XFH-1NN	XFL-1NN	XFAN-1NN	1	3.5" NH (90mm)	25.6	11.6	22.5	10.2	30.8	14.0
XFH-1NP	XFL-1NP	XFAN-1NP	1	4.0" NH (100mm)	26.2	11.9	23.1	10.4	31.9	14.5
XFH-1NR	XFL-1NR	XFAN-1NR	1	4.5" NH (115mm)	26.3	12.0	23.2	10.5	33.1	15.0
XFH-1SP	XFL-1SP	XFAN-1SP	1	4" Storz (100mm)	27.0	12.2	23.0	10.4	31.1	14.1
XFH-1ST	XFL-1ST	XFAN-1ST	1	5" Storz (125mm)	28.7	13.0	25.6	11.6	32.8	14.9
XFH-1SX	XFL-1SX	—	1	6" Storz (150mm)	30.4	13.7	28.2	12.7	—	—
XFH-2NJ	XFL-2NJ	—	2	2.5" NH (65mm)	23.8	10.8	20.7	9.4	—	—

Combination Packages with Safe-Tak 1250

See Page 74 for Assistance in Ordering Options

XFC-12
\$4430.00

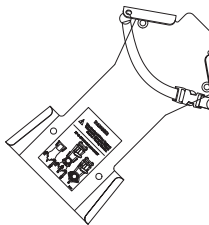
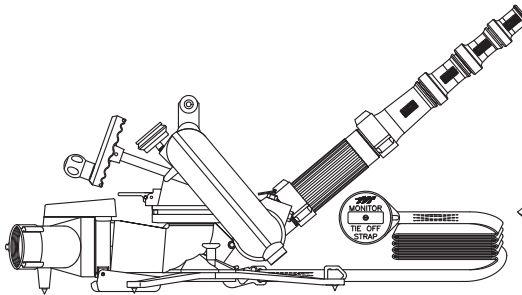
XFC-12NB
\$4430.00
Package does not include storage bracket



XFC-12 PACKAGE CONTAINS:
SAFE-TAK Base (Specify Inlet), CROSSFIRE Storage Bracket, CROSSFIRE Monitor Top (Specify Outlet)

XFC-42
\$4915.00

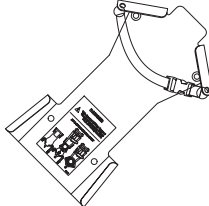
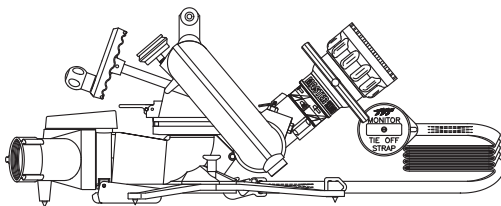
XFC-42NB
\$4915.00
Package does not include storage bracket



XFC-42 PACKAGE CONTAINS:
SAFE-TAK Base (Specify Inlet), CROSSFIRE Storage Bracket, CROSSFIRE Monitor Top (Specify Outlet), Quad Stack Tips (Specify Inlet), 5" or 10" (127 or 254mm) Stream Straightener (Specify Inlet & Outlet)

XFC-32
\$5155.00

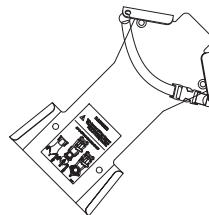
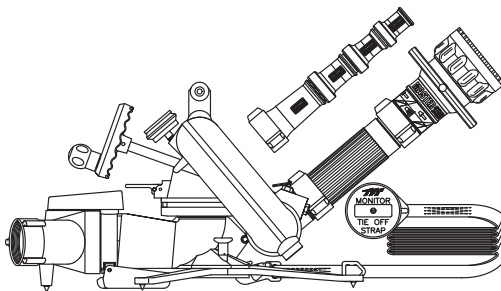
XFC-32NB
\$5155.00
Package does not include storage bracket



XFC-32 PACKAGE CONTAINS:
SAFE-TAK Base (Specify Inlet), CROSSFIRE Storage Bracket, CROSSFIRE Monitor Top (Specify Outlet), Any Master Stream 1000 or 1250S Nozzle, sold on page 129 (Specify Inlet)

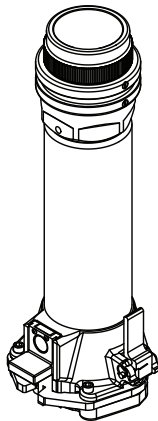
XFC-52
\$5790.00

XFC-52NB
\$5790.00
Package does not include storage bracket

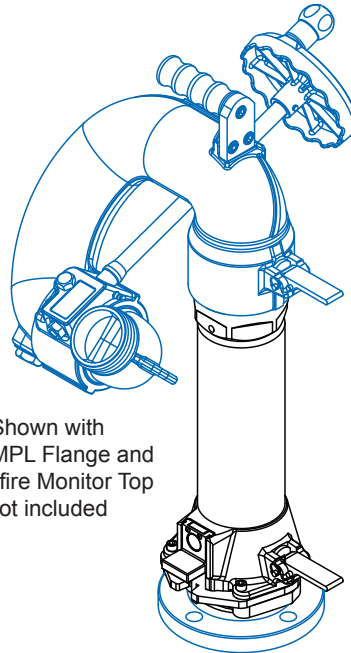


XFC-52 PACKAGE CONTAINS:
SAFE-TAK Base (Specify Inlet), CROSSFIRE Storage Bracket, CROSSFIRE Monitor Top (Specify Outlet), Any Master Stream 1000 or 1250S Nozzle, sold on page 129 (Specify Inlet), Quad Stack Tips (Specify Inlet), 5" or 10" (127 or 254mm) Stream Straightener (Specify Inlet & Outlet)

XG18XL-XL
\$805.00
 22.0 lb (10.0kg)

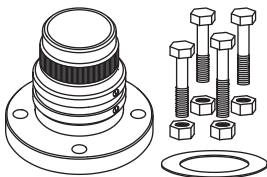


Shown with
 XFF-MPL Flange and
 Crossfire Monitor Top
 not included



XG18XL-XL - EXTEND-A-GUN PIPE –A simple and cost effective way to easily add 16" to your Crossfire Deck gun outlet connection. Simply remove the Crossfire monitor from the existing truck mount adapter, add the Extend-A-Gun Pipe and connect the Crossfire top. Increases the field of fire by raising the Crossfire monitor to clear obstructions on the top of the apparatus. Utilizes the same quick connect features of the Crossfire monitor. Visually verifiable rotation lock and locking mechanism. Extend-A-Gun Pipe is made from hard coat anodized aluminum alloy for light weight and corrosion resistance. Not for use on Extend-A-Gun telescoping waterway. Not for use on portable ground base.

XFF-MPL
XFF-MPP
\$350.00

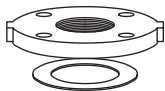


XFF-MPL - FLANGE MOUNT 3" ANSI 150 INLET (75mm)

XFF-MPP - FLANGE MOUNT 4" ANSI 150 INLET (102mm) For use on riser with companion flange. Compact, hard coat anodized aluminum adapter allows the CROSSFIRE monitor to be easily utilized as a truck mounted deluge appliance. Hardware and gasket included.

MODEL	FLANGE	BOLTS	INT.THDS	HGT	DIA	WT
XFF-MPL	3" ANSI 150#	(4) 5/8"-11X3	NONE	5" (12.7cm)	7.50" (19.1cm)	6.9 lb (2.4kg)
XFF-MPP	4" ANSI 150#	(8) 5/8"-11X3	4" NPT F	8" (20.3cm)	9.00" (22.9cm)	11.0 lb (3.1kg)

XFF-CPL
XFF-CPP
\$155.00

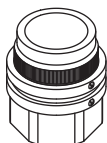


XFF-CPL - COMPANION FLANGE KIT 3" ANSI 150 - 3" NPT, 150 lb. ANSI aluminum, gasket included. Uses 5/8" (15.8mm) bolts (not included)

XFF-CPP - COMPANION FLANGE KIT 4" ANSI 150 - 4" NPT, 150 lb. ANSI aluminum, gasket included. Uses 5/8" (15.8mm) bolts (not included)

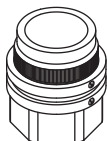
MODEL	THREADS	FLANGE	BOLTS REQ.	DIA.	WT
XFF-CPL	3" NPT F	3" ANSI 150#	4	7.50" (19.1cm)	3.0 lb (1.4kg)
XFF-CPP	4" NPT F	4" ANSI 150#	8	9.00" (22.9cm)	4.4 lb (2.0kg)

XFF-APL
\$355.00
 3.1 lb (1.4kg)



XFF-APL - TRUCK ADAPTER, 3.0" NPT FEMALE Can be screwed directly on a 3.0" NPT (75mm) male thread. This compact, hard coat anodized adapter allows the Crossfire monitor to be easily utilized as a truck mounted deluge appliance. 4.5" dia. (110mm) Height: 5.0". (125mm)

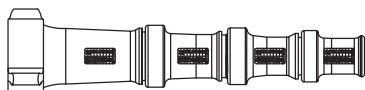
XFF-RLF
\$350.00
 4.2 lb (1.9kg)



XFF-RLF - EXTEND-A-GUN RC3/CROSSFIRE ADAPTER - This compact, hard coat anodized adapter attaches to the electronically raised Extend-A-Gun RC3, allowing the Crossfire monitor to be easily utilized as a truck mounted deluge appliance. 6.7" dia. (170mm) Height: 5.0" (125mm)

Accessories

MST-4NJ
\$560.00
 3.1 lb (1.4kg)



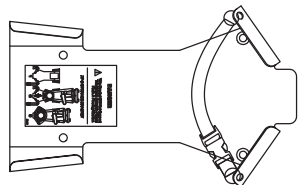
MST-4NJ - 4 STACKED TIPS, 2.5" NH (65mm) Designed for monitor use, these lightweight tips are hard coat anodized, allow four orifice options in one, and have pressure/flow charts laser engraved on each tip. 2.5" NH (65mm) swivel coupling is standard. Orifice openings are 2", 1.75", 1.5", and 1.375". (50mm, 45mm, 38mm and 35mm) Length 16.90". (42.9cm)

MST-4NN
\$805.00

Tether / Retention kit is available on page 210 (TETHER01-KIT)

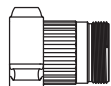
MST-4NN - 4 STACKED TIPS, 3.5" NH (89mm) Same as above (MST-4NJ) but with 3.5" NH (89mm) swivel coupling is standard.

XF-B
\$200.00
 3.1 lb (1.4kg)



XF-B - CROSSFIRE STORAGE BRACKET A 13 ga., 304 stainless steel bracket with strap holds the Stow-A-Way 800, Stow-A-Way 1250 or the Safe-Tak 1250 portable base securely while being transported. This 14.75" x 7.75" x 2" (37.5 x 19.7 x 5.1cm) bracket can be mounted vertically or horizontally in any position, including the top or underside of a shelf, on a side wall, or on a compartment door. Includes quick release storage strap.

XF-SS5
\$220.00
 1.8 lb (0.8kg)



XF-SS5 - STREAM STRAIGHTENER 5" L. 2.5" NH (65mm) THREADS Extruded aluminum vanes straighten smooth bore streams to provide greater reach with less turbulence. 2.5" NH (65mm) RIGID inlet and outlet threads are standard.

XF-SS5-NN
\$420.00
 4.6lb (1.6kg)

XF-SS5-NN - STREAM STRAIGHTENER 5" L. 3.5" NH (89mm) THREADS - Same as XF-SS5 above but with 3.5" NH (89mm) inlet x 2.5" NH (65mm) outlet.

XF-SS10
\$220.00
 3.5 lb (1.9kg)

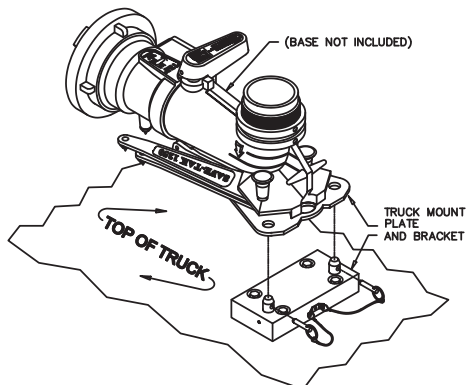


XF-SS10 - STREAM STRAIGHTENER 10" L. 2.5" NH (65mm) THREADS -Extruded aluminum vanes straighten smooth bore streams to provide greater reach with less turbulence. 2.5" NH (65mm) RIGID inlet and outlet threads are standard.

XF-SS10-NN
\$420.00
 6.25 lb (2.8kg)

XF-SS10-NN - STREAM STRAIGHTENER 10" L. 3.5" NH (89mm) THREADS- Same as XF-SS10 above but with 3.5" NH (89mm) inlet x 2.5" NH (65mm) outlet.

XF400-KIT
\$273.00
 7.8 lb (3.5kg)



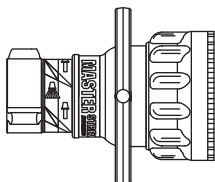
XF400-KIT - TRUCK MOUNTING BLOCK KIT for direct mounting of the portable base on a truck deck. Allows for use as a deck gun and can be easily removed for portable use when needed. Includes truck mount block with anchor pins and bottom plate for Stow-A-Way 800, Stow-A-Way 1250 or Safe-Tak 1250 portable base.

See Field Repair Kits, page 210, for additional information.

MASTER STREAM 1000 SERIES

150 - 1000 GPM (600 - 3800 l/min)

Fixed, Selectable and Automatic

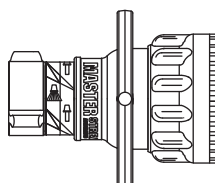


The TFT Master Stream 1000 series gives a clean, far-reaching straight stream. It is adjustable from straight stream to a dense fog pattern. Models are available with either automatic pressure control, five selectable gallonage settings, or a factory ordered fixed orifice. Master Stream 1000 series nozzles are suitable for use with foam and accept the FJ-LX-M FOAMJET low expansion air aspirating attachment. See page 50 for details

MASTER STREAM 1250S SERIES

150 - 1250 GPM (600 - 4500 l/min)

Automatic Pressure Control



The TFT Master Stream 1250S series gives a clean, far-reaching straight stream. It is adjustable from straight stream to a dense fog pattern. Master Stream 1250s series nozzles are suitable for use with foam and accept the FJ-LX-M FOAMJET low expansion air aspirating attachment. See page 50 for details.

\$5155.00

XFC-32 PACKAGE CONTAINS:
 SAFE-TAK Base (Specify Inlet)
 CROSSFIRE Storage Bracket
 CROSSFIRE Monitor Top (Specify Outlet)
 Any Master Stream 1000 or 1250S Nozzle
 sold on page 129 (Specify Inlet)

\$4915.00

XFC-42 PACKAGE CONTAINS:
 SAFE-TAK Base (Specify Inlet)
 CROSSFIRE Storage Bracket
 CROSSFIRE Monitor Top (Specify Outlet)
 Quad Stack Tips (Specify Inlet)
 5" or 10" (127 or 254mm) Stream Straightener
 (Specify Inlet & Outlet)

\$5790.00

XFC-52 PACKAGE CONTAINS:
 SAFE-TAK Base (Specify Inlet)
 CROSSFIRE Storage Bracket
 CROSSFIRE Monitor Top (Specify Outlet)
 Any Master Stream 1000 or 1250S Nozzle
 sold on page 129 (Specify Inlet)
 Quad Stack Tips (Specify Inlet)
 5" or 10" (127 or 254mm) Stream Straightener
 (Specify Inlet & Outlet)

\$5155.00

XFC-32NB PACKAGE:
 Same as above except package does not
 include storage bracket

\$4915.00

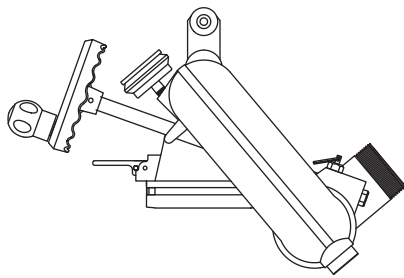
XFC-42NB PACKAGE:
 Same as above except package does not
 include storage bracket

\$5790.00

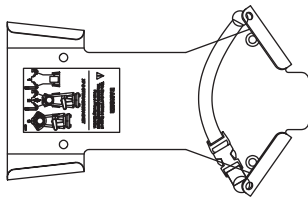
XFC-52NB PACKAGE:
 Same as above except package does not
 include storage bracket

CROSSFIRE TOP & BRACKET INCLUDED

Included with All Six Packages



XFT-NJ — 2.5"NH Outlet
 Monitor Top 1250 gpm (4500 l/min)



XF-B
 Crossfire Storage Bracket
 Not included in NB Packages

CHOICE OF STREAM STRAIGHTENER

Included with XFC-42 and XFC-52 Package Choose One Option



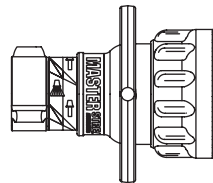
XF-SS5
 5" 2.5" NH



XF-SS10
 10" 2.5" NH

CHOICE OF NOZZLE

Included with XFC-42 and XFC-52 Package
 Choose One Option



M-RS1000-NJ — 2.5"NH
 Selectable Flow Nozzle
 250, 350, 500, 750 or 1000 gpm
 Flow is User Adjusted
 gpm is based on 100 psi

M-RF1000-NJ — 2.5"NH
 Fixed Flow Nozzle
 1000 gpm (4000 l/min) max
 Must Specify Flow & Pressure

M-R1000-NJ — 2.5"NH
 Automatic Pressure Nozzle
 150-1000 gpm flow range
 (600-4000 l/min)

M-R1250SNJ — 2.5"NH
 Automatic Pressure Nozzle
 150-1250 gpm flow range
 (600-4500 l/min)

QUAD TIPS

Included with XFC-42
 and XFC-52 Package

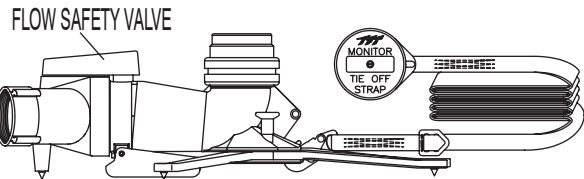


MST-4NJ — 2.5"NH
 4 Stacked Tips Laser Engraved Flow Charts

SAFE-TAK 1250 BASE w/CHOICE OF INLETS

Included with all six packages Choose One Option

XFH-*
 SAFE-TAK 1250
 Portable Base



XFH-1NP
 Single 4"NH
 (100mm)

XFH-1ST
 Single 5"Storz
 (125mm)

XFH-1NL
 Single 3"NH
 (75mm)

XFH-1NR
 Single 4.5"NH
 (115mm)

XFH-1SX
 Single 6"Storz
 (150mm)

XFH-1NN
 Single 3.5"NH
 (90mm)

XFH-1SP
 Single 4"Storz
 (100mm)

XFH-2NJ
 Dual 2.5"NH
 (65mm)

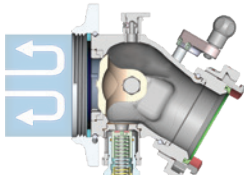
MANUAL AND REMOTE CONTROL BALL INTAKE VALVE (BIV) MAXIMUM FLOW AND OPTIONS

TFT's BIV's are the ideal alternative to master intake valves integrated into the apparatus pump system because they eliminate the need for apparatus to be taken out of service for repair or maintenance of an intake valve. Units are constructed of stainless steel and lightweight, hard anodized and powder coated aluminum alloy. In addition, hose couplings and truck connections are attached to the valve using polymer bearing rings which provide electrical isolation to help prevent galvanic corrosion. Models are available with a choice of manual or remote controls, a fast acting pressure relief valve, and a unique swiveling inlet.

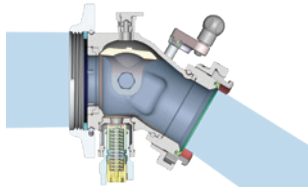


JUMBO
LOW PROFILE BIV
AXDIST-NX-T

Unique Valve Design



When the BIV is closed, the water stays on the pump side so the inside of your valve is dry at all times.



When the BIV is open, the valve completely swings to the side and provides high flow, because of the unobstructed waterway.

Hundreds of Configurations



TFT offers a BIV solution for every application. Options include handle placement, inlet/outlet sizes, body profile, pressure relief, and remote control. Design your BIV to fit your unique apparatus.

High Flow to Your Pump



Available in either 3.65" (97mm) or 5.25" (133mm) waterway. The unobstructed waterway on a standard BIV with a 5" (125mm) coupling has only 11 psi loss at 2000 gpm (0.7 bar @ 7600 l/min) and there's only 3 psi of loss at 2000 gpm (0.2 bar @ 7600 l/min) for the Jumbo Valve series with a 6" (150mm) coupling.

For additional information on Ball Intake Valve's visit TFT.com
Pressure Relief Valves for Ball Intake Valves are located on page 125.
RC Ball Intake Valves are located on pages 186-191.

BIV BALL INTAKE VALVE™

AB Series - BIV - TFT's Ball Intake Valve has a 3.65" waterway and is designed for use with 3.5, 4, 4.5, 5 or 6" (89, 100, 115, 125 or 150mm) hose. The 30° intake elbow swivels 360° and has multiple positive detents. Make hose connections from any direction with minimal kinks and coupling stress. Designed for pressure or vacuum service on a pumper. Maximum operating pressure is 300 psi (20 bar). Meets 900 psi (62 bar) hydrostatic strength test. The aluminum castings are hard coat anodized, and TFT-powder coat finished inside and out for maximum corrosion protection. All the components on the wet side of the valve are made of stainless steel for additional corrosion protection. The hand wheel needs 7-1/2 turns to open, meeting NFPA slow close requirements. There is a unique position indicator that shows the operator if the valve is open, closed or somewhere in between. The hand wheel is installed on the right side of the valve, but can be switched to the left side if desired. The unit comes equipped with a rugged 3/4" (19mm) drain valve to quickly drain water from the valve housing. A port for an optional air bleed valve is incorporated into the design for user friendly configurability. Hose couplings and truck connections are attached to the valve using polymer bearing rings which provide electrical isolation to help prevent galvanic corrosion. Includes TFT's new adjustable pressure relief valve with a discharge that can be directed one of four ways and meets NFPA 1901. Contact TFT customer service for configurations not shown. Cap lanyard anchor point is standard. Pressure Loss Chart is located at the end of catalog.

Dimensional Maximum

AB7NT-NX

35.0 lbs (15.8 kg)

15.60" (39.0cm) Height

13" (26 cm)Width

14" (35.8 cm) Depth

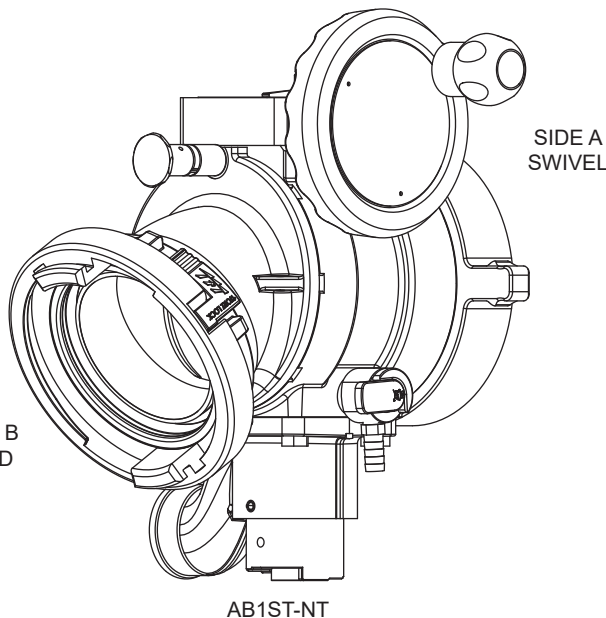
**Ball Intake Valve
Your Choice**

\$2305.00

To add an additional Vent/Drain for the BIV or Jumbo BIV order A1621-KIT. See page 209



For additional air bleed during operation, simply install a bleed valve with 3/4" NPT inlet. A bleed valve can be purchased if desired.



Adapters for 4 or 4.5" (102 or 114 mm) pump inlets.

	4.00" (100.0mm) Pump Inlet Adapter	4.50" (110.0mm) Pump Inlet Adapter
6" (152mm) Threaded Male	AA9NX-NP \$150.00	AA9NX-NR \$150.00

Storz couplings are shipped with a pressure gasket installed. A suction gasket is available upon request for drafting operations.

To change a 4" or 5" Storz from rigid to full time swivel, back out the lockout screw until the coupling moves freely. See page 212 for diagram

If a Pressure Relief Valve (PRV) is not required, substitute the part number prefix AB with AC.

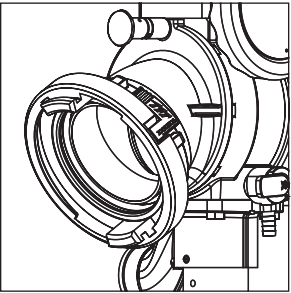
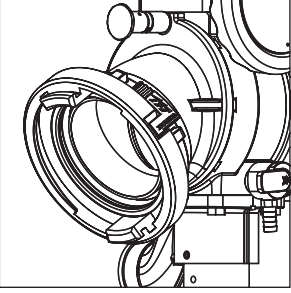
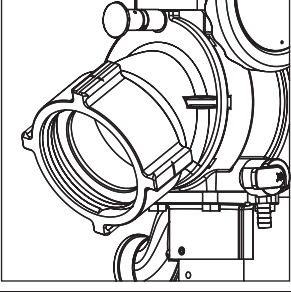
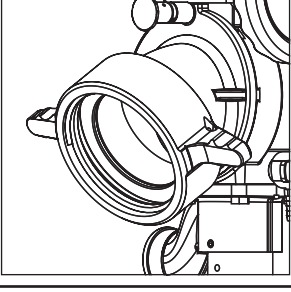
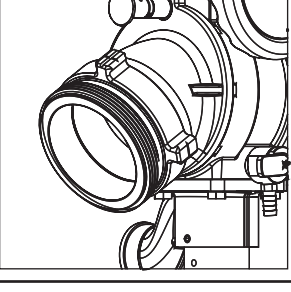
AC denotes no PRV, deduct \$260 from the appropriate AB published list price.

Pressure Relief Valve information is located on page 125.

Suction Screen information is located on page 209, under LDH service kits.

Side B

Side A

AB		-												
	1SP) 4.0" (101mm) Rigid Storz 1ST) 5.0" (127mm) Rigid Storz 1SX) 6.0" (152mm) Rigid Storz		NT) 5.0" (127mm) Female Threaded Swivel NX) 6.0" (152mm) Female Threaded Swivel											
	3SP) 4.0" (101mm) Swivel Storz 3ST) 5.0" (127mm) Swivel Storz 3SX) 6.0" (152mm) Swivel Storz		<table border="1" data-bbox="963 573 1393 625"> <tr> <td>AB</td> <td></td> <td>-</td> <td></td> </tr> </table> <p>(Choose Side A/Side B suffix from table) Example: A 4.0" (101mm) Rocker lug Female Swivel on Side B to a 6.0" NH (152mm) Female Swivel on Side A would be</p> <table border="1" data-bbox="1076 720 1414 762"> <tr> <td>AB</td> <td>7</td> <td>N</td> <td>P</td> <td>-</td> <td>N</td> <td>X</td> </tr> </table>	AB		-		AB	7	N	P	-	N	X
AB		-												
AB	7	N	P	-	N	X								
	7NN) 3.5" (89mm) Female Threaded Swivel 7NP) 4.0" (101mm) Female Threaded Swivel 7NR) 4.5" (114mm) Female Threaded Swivel 7NT) 5.0" (127mm) Female Threaded Swivel													
	7HNP) 4.0" (101mm) Female Threaded Swivel Handle 7HNR) 4.5" (114mm) Female Threaded Swivel Handle 7HNT) 5.0" (127mm) Female Threaded Swivel Handle 7HNX) 6.0" (152mm) Female Threaded Swivel Handle													
	8NP) 4.0" (101mm) Male Threaded Rigid 8NR) 4.5" (114mm) Male Threaded Rigid 8NT) 5.0" (127mm) Male Threaded Rigid 8NX) 6.0" (152mm) Male Threaded Rigid													

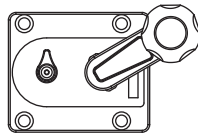
BIV BALL INTAKE VALVE™ WITH PARALLEL SHAFT DRIVE

AB Series - BIV - TFT's Ball Intake Valve has a 3.65" waterway and is designed for use with 3.5, 4, 4.5, 5 or 6" (89, 100, 115, 125 or 150mm) hose. The 30° intake elbow swivels 360° and has multiple positive detents. Make hose connections from any direction with minimal kinks and coupling stress. Designed for pressure or vacuum service on a pumper. Maximum operating pressure is 300 psi (20 bar). Meets 900 psi (62 bar) hydrostatic strength test. The aluminum castings are hard coat anodized, and TFT-powder coat finished inside and out for maximum corrosion protection. All the components on the wet side of the valve are made of stainless steel for additional corrosion protection. The hand crank needs 7-1/2 turns to open, meeting NFPA slow close requirements. There is a unique position indicator that shows the operator if the valve is open, closed or somewhere in between. The hand crank is installed with a 2-5/8" swing but may be switched to 1-5/8" if desired. The unit comes equipped with a rugged 3/4" (19mm) drain valve to quickly drain water from the valve housing. A port for an optional air bleed valve is incorporated into the design for user friendly configurability. Hose couplings and truck connections are attached to the valve using polymer bearing rings which provide electrical isolation to help prevent galvanic corrosion. Includes TFT's new adjustable pressure relief valve with a discharge that can be directed one of four ways and meets NFPA 1901. Contact TFT customer service for configurations not shown. Cap lanyard anchor point is standard. Pressure Loss Chart is located at the end of catalog.

Dimensional Maximum
AB7NT-NX-PS
35.0 lbs (15.8 kg)
16.00" (41.5 cm) Height
11.50" (29.2 cm) Width
14" (35.8 cm) Depth

Ball Intake Valve
Your Choice

\$2410.00

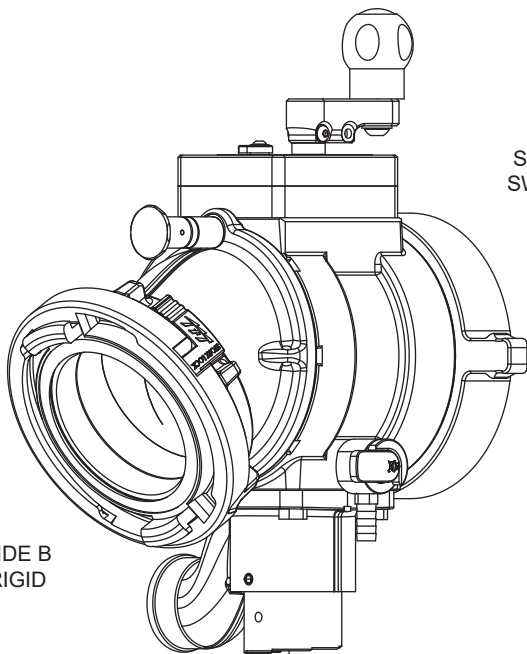


Top View of Control

To add an additional Vent/Drain for the BIV or Jumbo BIV order A1621-KIT. See page 209



For additional air bleed during operation, simply install a bleed valve with 3/4" NPT inlet. A bleed valve can be purchased if desired.



SIDE A
 SWIVEL

SIDE B
 RIGID

AB1ST-NT-PS

Adapters for 4 or 4.5" (102 or 114 mm) pump inlets.

	4.00" (100.0mm) Pump Inlet Adapter	4.50" (110.0mm) Pump Inlet Adapter
6" (150mm) Threaded Male	AA9NX-NP \$150.00	AA9NX-NR \$150.00

Storz couplings are shipped with a pressure gasket installed. A suction gasket is available upon request for drafting operations.

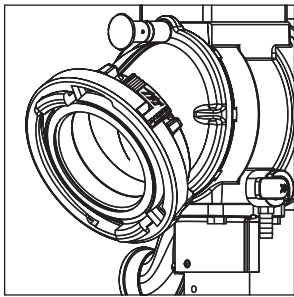
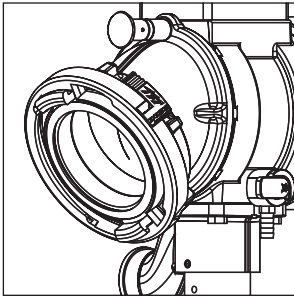
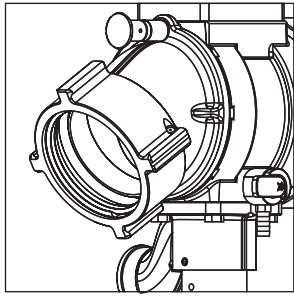
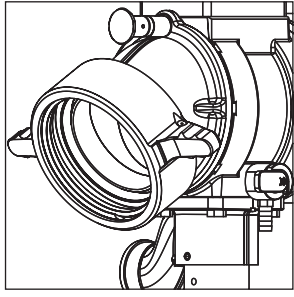
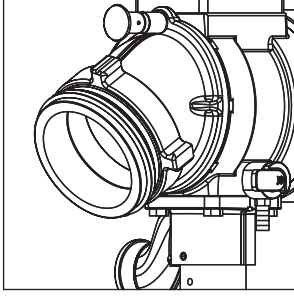
To change a 4" or 5" Storz from rigid to full time swivel, back out the lockout screw until the coupling moves freely. See page 212 for diagram

If a Pressure Relief Valve (PRV) is not required, substitute the part number prefix AB with AC.
AC denotes no PRV, deduct \$260 from the appropriate AB published list price.

Pressure Relief Valve information is located on page 125.

Suction Screen information is located on page 209, under LDH service kits.

BALL INTAKE VALVE™ WITH PARALLEL SHAFT DRIVE

Side B		Side A	Option										
AB		-	-										
1SP) 4.0" (101mm) Rigid Storz 1ST) 5.0" (127mm) Rigid Storz 1SX) 6.0" (152mm) Rigid Storz		NT) 5.0" (127mm) Threaded Swivel NX) 6.0" (152mm) Threaded Swivel	PS) Parallel Shaft										
3SP) 4.0" (101mm) Swivel Storz 3ST) 5.0" (127mm) Swivel Storz 3SX) 6.0" (152mm) Swivel Storz		(Choose Side A/Side B suffix from table) Example: A 4.0" (101mm) Rocker lug Female Swivel on Side B to a 6.0" NH (152mm) Female Swivel on Side A with a parallel shaft drive would be											
		<table border="1" style="display: inline-table;"> <tr> <td>AB</td> <td>7</td> <td>N</td> <td>P</td> <td>-</td> <td>N</td> <td>X</td> <td>-</td> <td>P</td> <td>S</td> </tr> </table>		AB	7	N	P	-	N	X	-	P	S
AB	7	N	P	-	N	X	-	P	S				
7NN) 3.5" (89mm) Female Threaded Swivel 7NP) 4.0" (101mm) Female Threaded Swivel 7NR) 4.5" (114mm) Female Threaded Swivel 7NT) 5.0" (127mm) Female Threaded Swivel													
7HNP) 4.0" (101mm) Female Threaded Swivel Handle 7HNR) 4.5" (114mm) Female Threaded Swivel Handle 7HNT) 5.0" (127mm) Female Threaded Swivel Handle 7HNX) 6.0" (152mm) Female Threaded Swivel Handle													
8NP) 4.0" (101mm) Male Threaded Rigid 8NR) 4.5" (114mm) Male Threaded Rigid 8NT) 5.0" (127) Male Threaded Rigid 8NX) 6.0" (152mm) Male Threaded Rigid													

JUMBO BIV BALL INTAKE VALVE™

AX Series - TFT's Jumbo Ball Intake valve has a huge 5.25" (133mm) diameter waterway giving low friction loss to maximize flow. Friction loss is 3 psi at 2000 gpm. Designed for use with 3.5, 4, 4.5, 5 or 6" (89, 100, 115, 125, or 150 mm) hose. The 30° intake elbow swivels 360° and has multiple positive detents. Make hose connections in any direction with minimal kinks and coupling stress. Designed for pressure or vacuum service on a pumper. Maximum operating pressure is 250 psi (17 bar). Meets 900 psi (62 bar) hydrostatic strength test. The aluminum castings are hard coat anodized, and TFT-powder coat finished inside and out for maximum corrosion protection. All the components on the wet side of the valve are made of stainless steel for additional corrosion protection. The handwheel needs 7-½ turns to close, meeting NFPA slow close requirements. There is a unique position indicator that shows the operator if the valve is open, closed or somewhere in between. The handwheel is installed on the right side of the valve, but can be switched to the left side if desired. The unit comes equipped with a rugged 3/4" (19mm) drain valve to quickly drain water from the valve housing. A port for an optional air bleed valve is incorporated into the design for user friendly configurability. Hose coupling and truck connections are attached to the valve using polymer bearing rings which provide electrical isolation to help prevent galvanic corrosion. Includes TFT's adjustable pressure relief valve with a discharge that can be directed one of four ways and meets NFPA 1901. Contact TFT customer service for configurations not shown. Cap lanyard anchor point is standard. Pressure Loss Chart is located at the end of catalog.

Dimensional Maximum
AX7HNX-NX
37.0 lbs (16.8kg)
17.75" (45.0cm) Height
14.00" (36.0cm) Width
15.50" (39.0cm) Depth

Jumbo Ball Intake Valve Your Choice

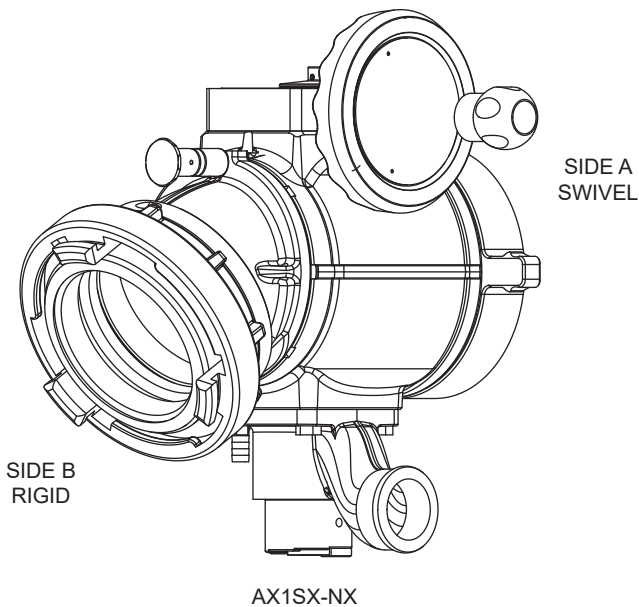
\$2870.00

(*Side A = ST = **\$3185.00**)
(*Side A = SX = **\$3185.00**)
(*Side A = NY = **\$3375.00**)

To add an additional Vent/Drain for the BIV or Jumbo BIV order A1621-KIT. See page 209



For additional air bleed during operation, simply install a bleed valve with 3/4" NPT inlet. A bleed valve can be purchased if desired.



Storz couplings are shipped with a pressure gasket installed. A suction gasket is available upon request for drafting operations.

To change a 4" (101mm) or 5" (127mm) Storz from rigid to full time swivel, back out the lockout screw until the coupling moves freely. See page 212 for diagram

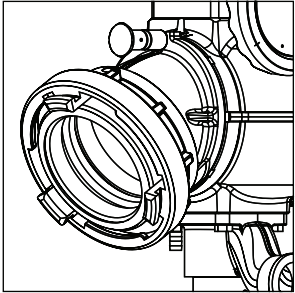
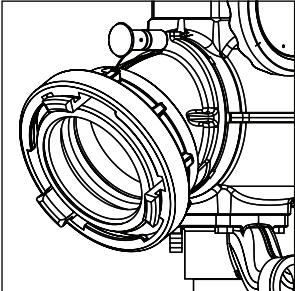
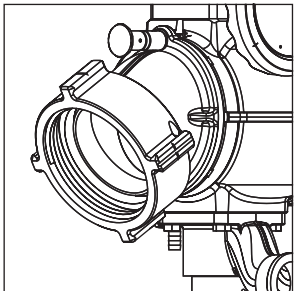
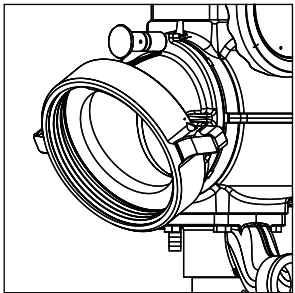
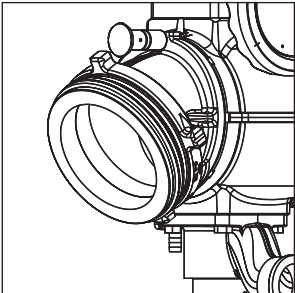
If a Pressure Relief Valve (PRV) is not required, substitute the part number prefix AX with AZ.
AZ denotes no PRV, deduct \$260 from the appropriate AX published list price.

Pressure Relief Valve information is located on page 125.

Suction Screen information is located on page 209, under LDH service kits.

Side B

Side A

AX		-
1SP) 4.0" (101mm) Rigid Storz 1ST) 5.0" (127mm) Rigid Storz 1SX) 6.0" (152mm) Rigid Storz		NP) 4.0" (101mm) Long Handle Female Coupling NR) 4.5" (114mm) Long Handle Female Coupling NT) 5.0" (127mm) Long Handle Female Coupling ST) 5.0" (127mm) Storz swivel * SX) 6.0" (152mm) Storz swivel * NX) 6.0" (152mm) Female Threaded Swivel NY) 8.0" (203mm) Female Threaded Swivel *
3SP) 4.0" (101mm) Swivel Storz 3ST) 5.0" (127mm) Swivel Storz 3SX) 6.0" (152mm) Swivel Storz		
7NN) 3.5" (89mm) Female Threaded Swivel 7NP) 4.0" (101mm) Female Threaded Swivel 7NR) 4.5" (114mm) Female Threaded Swivel 7NT) 5.0" (127mm) Female Threaded Swivel		
7HNP) 4.0" (101mm) Female Threaded Swivel Handle 7HNR) 4.5" (114mm) Female Threaded Swivel Handle 7HNT) 5.0" (127mm) Female Threaded Swivel Handle 7HNX) 6.0" (152mm) Female Threaded Swivel Handle		
8NP) 4.0" (101mm) Male Threaded Rigid 8NR) 4.5" (114mm) Male Threaded Rigid 8NT) 5.0" (127mm) Male Threaded Rigid 8NX) 6.0" (152mm) Male Threaded Rigid		

AX		-	
-----------	--	---	--

(Choose Side A/Side B suffix from table)
 Example: A 4.0" (101mm) Rocker lug Female Swivel on Side B to a 6.0" NH (152mm) Female Swivel on Side A would be

AX	7	N	P	-	N	X
----	---	---	---	---	---	---

JUMBO BIV BALL INTAKE VALVE™ WITH PARALLEL SHAFT DRIVE

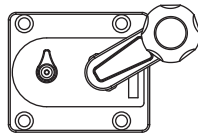
AX Series - TFT's Jumbo Ball Intake valve has a huge 5-1/4" diameter waterway giving low friction loss to maximize flow. Friction loss is 3 psi at 2000 gpm. Designed for use with 3.5, 4, 4.5, 5 or 6" (89, 100, 115, 125, or 150 mm) hose. The 30° intake elbow swivels 360° and has multiple positive detents. Make hose connections in any direction with minimal kinks and coupling stress. Designed for pressure or vacuum service on a pumper. Maximum operating pressure is 250 psi (17 bar). Meets 900 psi (62 bar) hydrostatic strength test. The aluminum castings are hard coat anodized, and TFT-powder coat finished inside and out for maximum corrosion protection. All the components on the wet side of the valve are made of stainless steel for additional corrosion protection. The handcrank needs 7-1/2 turns to close, meeting NFPA slow close requirements. There is a unique position indicator that shows the operator if the valve is open, closed or somewhere in between. The handcrank is installed with a 2-5/8" swing but may be switched to 1-5/8" if desired. The unit comes equipped with a rugged 3/4" (19mm) drain valve to quickly drain water from the valve housing. A port for an optional air bleed valve is incorporated into the design for user friendly configurability. Hose coupling and truck connections are attached to the valve using polymer bearing rings which provide electrical isolation to help prevent galvanic corrosion. Includes TFT's adjustable pressure relief valve with a discharge that can be directed one of four ways and meets NFPA 1901. Contact TFT customer service for configurations not shown. Cap lanyard anchor point is standard. Pressure Loss Chart is located at the end of catalog.

Dimensional Maximum
AX7HNX-NX-PS
37.0 lbs (16.8kg)
18.75" (47.5cm) Height
11.50" (29.2cm) Width
15.50" (39.0cm) Depth

Jumbo Ball Intake Valve Your Choice

\$2975.00

(*Side A = ST = **\$3290.00**)
 (*Side A = SX = **\$3290.00**)
 (*Side A = NY = **\$3650.00**)

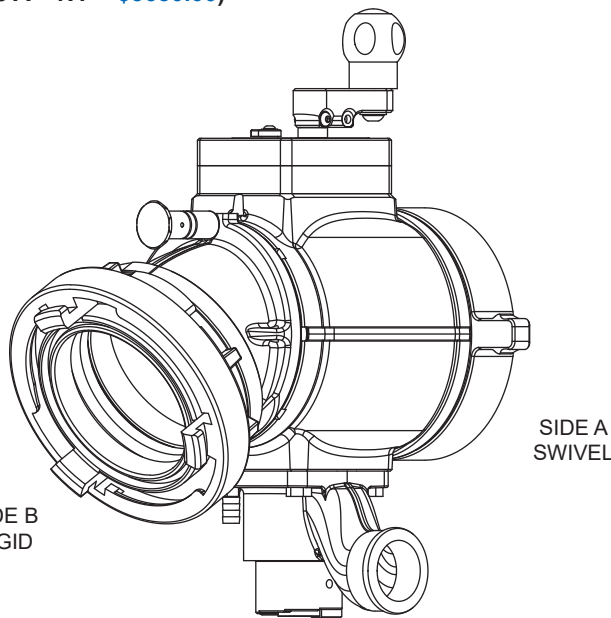


Top View of Control

To add an additional Vent/Drain for the BIV or Jumbo BIV order A1621-KIT. See page 209



For additional air bleed during operation, simply install a bleed valve with 3/4" NPT inlet. A bleed valve can be purchased if desired.



AX1SX-NX-PS

Storz couplings are shipped with a pressure gasket installed. A suction gasket is available upon request for drafting operations.

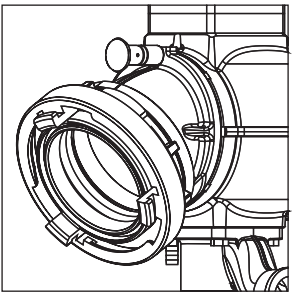
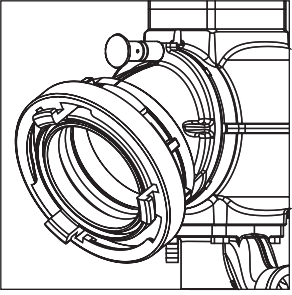
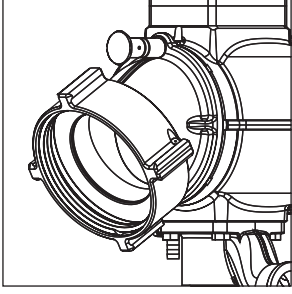
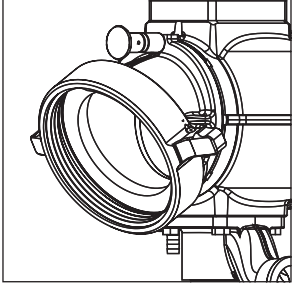
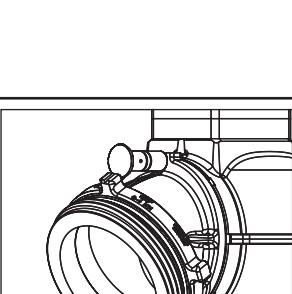
To change a 4" or 5" (101mm or 127mm) Storz from rigid to full time swivel, back out the lockout screw until the coupling moves freely. See page 212 for diagram

If a Pressure Relief Valve (PRV) is not required, substitute the part number prefix AX with AZ.
AZ denotes no PRV, deduct \$260 from the appropriate AX published list price.

Pressure Relief Valve information is located on page 125.

Suction Screen information is located on page 209, under LDH service kits.

JUMBO BALL INTAKE VALVE WITH PARALLEL SHAFT DRIVE

AX	Side B	Side A	Option	
	1SP) 4.0" (101mm) Rigid Storz 1ST) 5.0" (127mm) Rigid Storz 1SX) 6.0" (152mm) Rigid Storz		NP) 4.0" (101mm) Long Handle Female Coupling NR) 4.5" (114mm) Long Handle Female Coupling NT) 5.0" (127mm) Long Handle Female Coupling ST) 5.0" (127mm) Storz swivel * SX) 6.0" (152mm) Storz swivel * NX) 6.0" (152mm) Female Threaded Swivel NY) 8.0" (203mm) Female Threaded Swivel *	PS) Parallel Shaft
	3SP) 4.0" (101mm) Swivel Storz 3ST) 5.0" (127mm) Swivel Storz 3SX) 6.0" (152mm) Swivel Storz			
	7NN) 3.5" (89mm) Female Threaded Swivel 7NP) 4.0" (101mm) Female Threaded Swivel 7NR) 4.5" (114mm) Female Threaded Swivel 7NT) 5.0" (127mm) Female Threaded Swivel			
	7HNP) 4.0" (101mm) Female Threaded Swivel Handle 7HNR) 4.5" (114mm) Female Threaded Swivel Handle 7HNT) 5.0" (127mm) Female Threaded Swivel Handle 7HNX) 6.0" (152mm) Female Threaded Swivel Handle			
	8NP) 4.0" (101mm) Male Threaded Rigid 8NR) 4.5" (114mm) Male Threaded Rigid 8NT) 5.0" (127mm) Male Threaded Rigid 8NX) 6.0" (152mm) Male Threaded Rigid			

AX		-		-	P	S
-----------	--	---	--	---	----------	----------

(Choose Side A/Side B suffix from table)

Example: A 4.0" (101mm) Rocker lug Female Swivel on Side B to a 6.0" NH (152mm) Female Swivel on Side A would be

AX	7	N	P	-	N	X	-	P	S
----	---	---	---	---	---	---	---	---	---

SHORT BIV BALL INTAKE VALVE™

ABS Series – TFT's Ball Intake Valve has a 3.65" waterway and is designed for use with 4, 5 or 6" (100, 125, or 150mm) hose. The compact design without swiveling inlet elbow allows use in limited space, such as behind compartment doors. Designed for pressure or vacuum service on a pumper. Maximum operating pressure is 300 psi (20 bar). Meets 900 psi hydrostatic strength test. The aluminum casting is hard coat anodized, and TFT powder coated inside and out for maximum corrosion protection. All components on the wet side of the valve are made of stainless steel for additional corrosion protection. Meets NFPA slow-close requirements. The Ball Intake Valves allow for multiple control configurations, with reversible side handwheel as well as a top mounted control to allow ease of use on all apparatus pump panel designs. Valve position indicator is standard. The unit comes equipped with a rugged 3/4" (19mm) drain valve to quickly drain water from the valve housing. A port for an option air bleed valve is incorporated into the design for user friendly configurability. Hose couplings and truck connections are attached to the valve using polymer bearing rings which provide electrical isolation to help prevent galvanic corrosion. Automatic fast reacting pressure relief valve is easily set without special tools and protects from over pressurization of the hose lines and appliance. Contact TFT customer service for configurations not shown. Pressure Loss Chart is located at the end of catalog.

Dimensional Maximum

ABS1SX-NX

31.1 lb (14.1 kg)

16.2" (41.1 cm) Height

13.4" (34.0 cm) Width

11.0" (27.9 cm) Depth

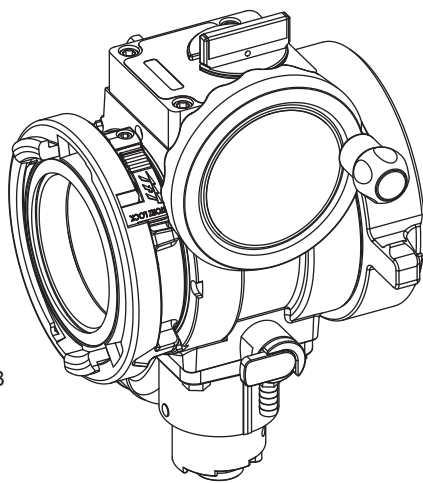
**Short Ball Intake Valve
Your Choice**

\$2305.00

To add an additional Vent/Drain for the BIV or Jumbo BIV order A1621-KIT. See page 209



For additional air bleed during operation, simply install a bleed valve with 3/4" NPT inlet. A bleed valve can be purchased if desired.



SIDE A

SIDE B
RIGID

ABS1ST-NX

Adapters for 4 or 4 1/2" (102 or 114 mm) pump inlets.

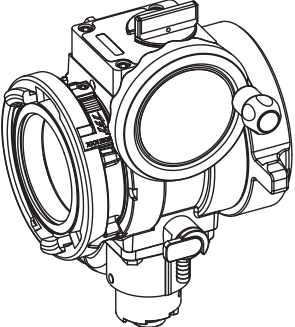
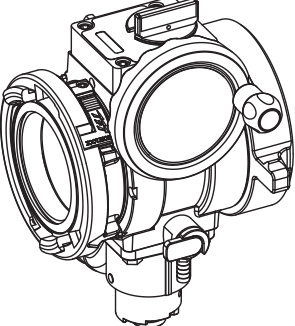
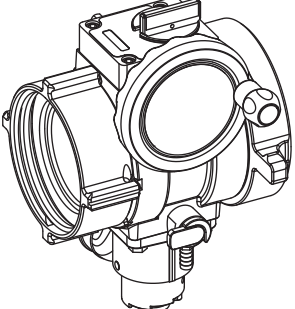
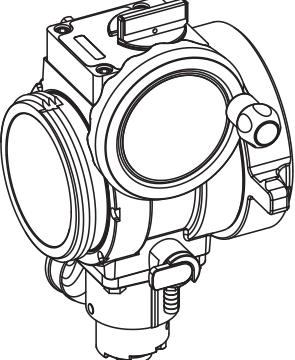
	4.00" (100.0mm) Pump Inlet Adapter	4.50" (110.0mm) Pump Inlet Adapter
6" Threaded Male	AA9NX-NP \$150.00	AA9NX-NR \$150.00

Storz couplings are shipped with a pressure gasket installed. A suction gasket is available upon request for drafting operations.

To change a 4" or 5" Storz from rigid to full time swivel, back out the lockout screw until the coupling moves freely. See page 212 for diagram

Side B

Side A

ABS														
	1SP) 4.0" (101mm) Rigid Storz 1ST) 5.0" (127mm) Rigid Storz 1SX) 6.0" (152mm) Rigid Storz		NT) 5.0" (127mm) Female Threaded Swivel NX) 6.0" (152mm) Female Threaded Swivel											
	3SP) 4.0" (101mm) Swivel Storz 3ST) 5.0" (127mm) Swivel Storz 3SX) 6.0" (152mm) Swivel Storz		<table border="1" data-bbox="1003 667 1461 718"> <tr> <td>ABS</td> <td></td> <td>-</td> <td></td> </tr> </table> <p data-bbox="1015 724 1542 808">(Choose Side A/Side B suffix from table) Example: A 4.0" (101mm) Rocker lug Female Swivel on Side B to a 6.0" NH (152mm) Female Swivel on Side A would be</p> <table border="1" data-bbox="1088 829 1429 865"> <tr> <td>ABS</td> <td>7</td> <td>N</td> <td>P</td> <td>-</td> <td>N</td> <td>X</td> </tr> </table>	ABS		-		ABS	7	N	P	-	N	X
ABS		-												
ABS	7	N	P	-	N	X								
	7NN) 3.5" (89mm) Female Threaded Swivel 7NP) 4.0" (101mm) Female Threaded Swivel 7NR) 4.5" (114mm) Female Threaded Swivel 7NT) 5.0" (127mm) Female Threaded Swivel													
	8NP) 4.0" (101mm) Male Threaded Rigid 8NR) 4.5" (114mm) Male Threaded Rigid 8NT) 5.0" (127mm) Male Threaded Rigid 8NX) 6.0" (152mm) Male Threaded Rigid													

SHORT BIV BALL INTAKE VALVE™

ACS Series – TFT's Ball Intake Valve has a 3.65" waterway and is designed for use with 4, 5 or 6" (100, 125, or 150mm) hose. The compact design without swiveling inlet elbow allows use in limited space, such as behind compartment doors. Designed for pressure or vacuum service on a pumper. Maximum operating pressure is 300 psi (20 bar). Meets 900 psi hydrostatic strength test. The aluminum casting is hard coat anodized, and TFT powder coated inside and out for maximum corrosion protection. All components on the wet side of the valve are made of stainless steel for additional corrosion protection. Meets NFPA slow-close requirements. The Ball Intake Valves allow for multiple control configurations, with reversible side handwheel as well as a top mounted control to allow ease of use on all apparatus pump panel designs. Valve position indicator is standard. The unit comes equipped with a rugged 3/4" (19mm) drain valve to quickly drain water from the valve housing. A port for an option air bleed valve is incorporated in the design for user friendly configurability. Hose couplings and truck connections are attached to the valve using polymer bearing rings which provide electrical isolation to help prevent galvanic corrosion. Does not include pressure relief valve. Opening for optional pressure relief valve is capped. Contact TFT customer service for configurations not shown. Pressure Loss Chart is located at the end of catalog.

Dimensional Maximum

ACS1ST-NX

29.4 lb (13.3 kg)

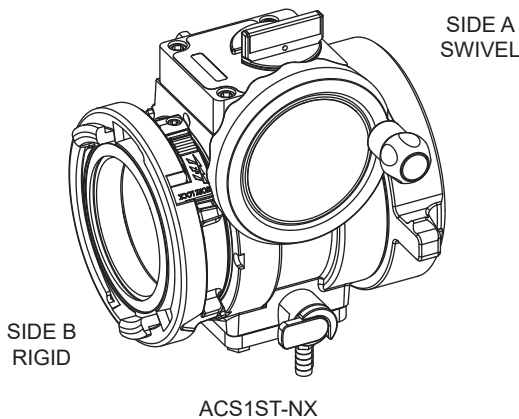
12.8" (32.5 cm) Height

13.4" (34.0 cm) Width

11.0" (27.9 cm) Depth

Short Ball Intake Valve Your Choice

\$2045.00



To add an additional Vent/Drain for the BIV or Jumbo BIV order A1621-KIT. See page 209



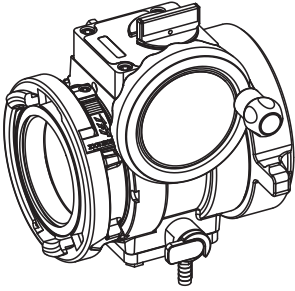
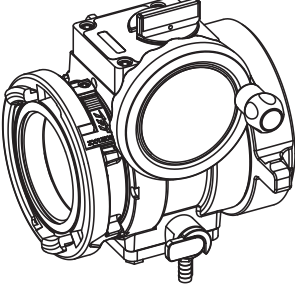
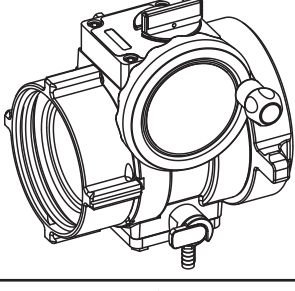
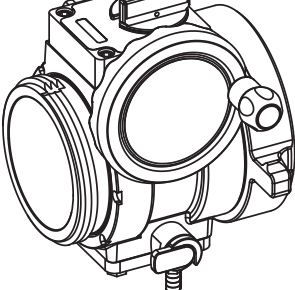
For additional air bleed during operation, simply install a bleed valve with 3/4" NPT inlet. A bleed valve can be purchased if desired.

Adapters for 4 or 4.5" (102 or 114 mm) pump inlets.

	4.00" (100.0mm) Pump Inlet Adapter	4.50" (110.0mm) Pump Inlet Adapter
6" (152mm) Threaded Male	AA9NX-NP \$150.00	AA9NX-NR \$150.00

Storz couplings are shipped with a pressure gasket installed. A suction gasket is available upon request for drafting operations.

To change a 4" or 5" (101mm to 127mm) Storz from rigid to full time swivel, back out the lockout screw until the coupling moves freely. See page 212 for diagram

Side B		Side A								
ACS		-								
1SP) 4.0" (101mm) Rigid Storz 1ST) 5.0" (127mm) Rigid Storz 1SX) 6.0" (152mm) Rigid Storz			NT) 5.0" (127mm) Female Threaded Swivel NX) 6.0" (152mm) Female Threaded Swivel							
3SP) 4.0" (101mm) Swivel Storz 3ST) 5.0" (127mm) Swivel Storz 3SX) 6.0" (152mm) Swivel Storz			<p>ACS -</p> <p>(Choose Side A/Side B suffix from table) Example: A 4.0" (101mm) Rocker lug Female Swivel on Side B to a 6.0" NH (152mm) Female Swivel on Side A would be</p> <table border="1"> <tr> <td>ACS</td> <td>7</td> <td>N</td> <td>P</td> <td>-</td> <td>N</td> <td>X</td> </tr> </table>	ACS	7	N	P	-	N	X
ACS	7	N	P	-	N	X				
7NN) 3.5" (89mm) Female Threaded Swivel 7NP) 4.0" (101mm) Female Threaded Swivel 7NR) 4.5" (114mm) Female Threaded Swivel 7NT) 5.0" (127mm) Female Threaded Swivel										
8NP) 4.0" (101mm) Male Threaded Rigid 8NR) 4.5" (114mm) Male Threaded Rigid 8NT) 5.0" (127mm) Male Threaded Rigid 8NX) 6.0" (152mm) Male Threaded Rigid										

SHORT BIV BALL INTAKE VALVE™ WITH PARALLEL SHAFT DRIVE

ABS Series – TFT's Ball Intake Valve has a 3.65" waterway and is designed for use with 4, 5 or 6" (100, 125, or 150mm) hose. The compact design without swiveling inlet elbow allows use in limited space, such as behind compartment doors. Designed for pressure or vacuum service on a pumper. Maximum operating pressure is 300 psi (20 bar). Meets 900 psi hydrostatic strength test. The aluminum casting is hard coat anodized, and TFT powder coated inside and out for maximum corrosion protection. All components on the wet side of the valve are made of stainless steel for additional corrosion protection. Meets NFPA slow-close requirements. The Ball Intake Valves allow for multiple control configurations, with reversible side handwheel as well as a top mounted control to allow ease of use on all apparatus pump panel designs. Valve position indicator is standard. The unit comes equipped with a rugged 3/4" (19mm) drain valve to quickly drain water from the valve housing. A port for an option air bleed valve is incorporated in the design for user friendly configurability. Hose couplings and truck connections are attached to the valve using polymer bearing rings which provide electrical isolation to help prevent galvanic corrosion. Automatic fast reacting pressure relief valve is easily set without special tools and protects from over pressurization of the hose lines and appliance. Contact TFT customer service for configurations not shown. Pressure Loss Chart is located at the end of catalog.

Dimensional Maximum

ABS1SX-NX-PS

31.6 lb (14.3 kg)

17.8" (45.2 cm) Height

11.2" (28.4 cm) Width

11.0" (27.9 cm) Depth

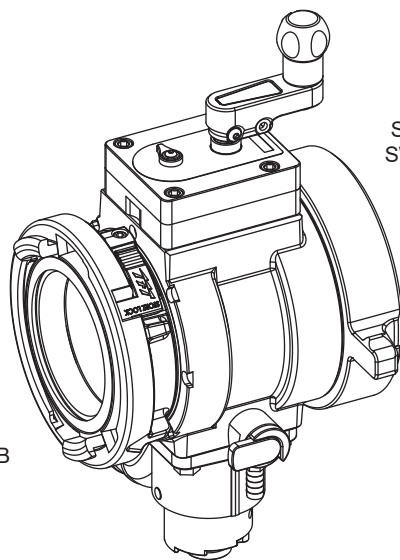
**Short Ball Intake Valve
Your Choice**

\$2410.00

To add an additional Vent/Drain for the BIV or Jumbo BIV order A1621-KIT. See page 209



For additional air bleed during operation, simply install a bleed valve with 3/4" NPT inlet. A bleed valve can be purchased if desired.



ABS1ST-NX-PS

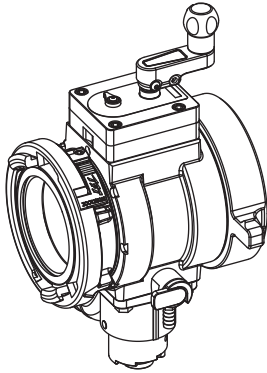
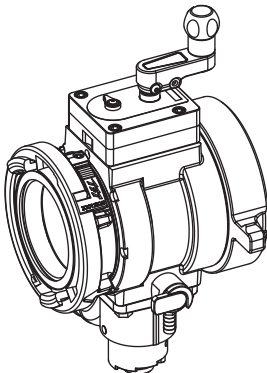
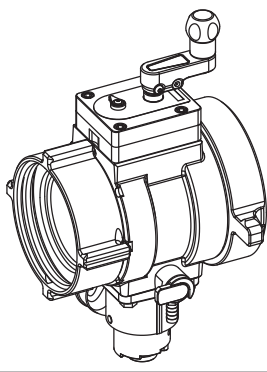
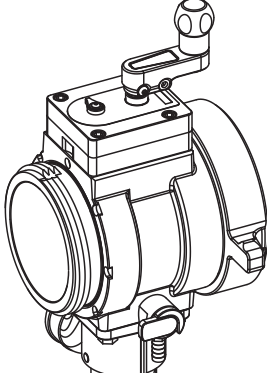
Adapters for 4 or 4.5" (102 or 114 mm) pump inlets.

	4.00" (100.0mm) Pump Inlet Adapter	4.50" (110.0mm) Pump Inlet Adapter
6" (152mm) Threaded Male	AA9NX-NP \$150.00	AA9NX-NR \$150.00

Storz couplings are shipped with a pressure gasket installed. A suction gasket is available upon request for drafting operations.

To change a 4" or 5" Storz from rigid to full time swivel, back out the lockout screw until the coupling moves freely. See page 212 for diagram

SHORT BIV BALL INTAKE VALVE™ WITH PARALLEL SHAFT DRIVE

Side B		Side A	Option
ABS		—	— PS
1SP) 4.0" (101mm) Rigid Storz 1ST) 5.0" (127mm) Rigid Storz 1SX) 6.0" (152mm) Rigid Storz		NT) 5.0" (127mm) Female Threaded Swivel NX) 6.0" (152mm) Female Threaded Swivel	PS) Parallel Shaft
3SP) 4.0" (101mm) Swivel Storz 3ST) 5.0" (127mm) Swivel Storz 3SX) 6.0" (152mm) Swivel Storz			
7NN) 3.5" (89mm) Female Threaded Swivel 7NP) 4.0" (101mm) Female Threaded Swivel 7NR) 4.5" (114mm) Female Threaded Swivel 7NT) 5.0" (127mm) Female Threaded Swivel			
8NP) 4.0" (101mm) Male Threaded Rigid 8NR) 4.5" (114mm) Male Threaded Rigid 8NT) 5.0" (127mm) Male Threaded Rigid 8NX) 6.0" (152mm) Male Threaded Rigid			

ABS		-		-	P	S
------------	--	---	--	---	----------	----------

(Choose Side A/Side B suffix from table)
 Example: A 4.0" (101mm) Rocker lug Female Swivel on Side B to a 6.0" NH (152mm) Female Swivel on Side A would be

ABS	7	N	P	-	N	X	-	P	S
-----	---	---	---	---	---	---	---	---	---

SHORT BIV BALL INTAKE VALVE™ WITH PARALLEL SHAFT DRIVE

ACS Series – TFT's Ball Intake Valve has a 3.65" waterway and is designed for use with 4, 5 or 6" (100, 125, or 150mm) hose. The compact design without swiveling inlet elbow allows use in limited space, such as behind compartment doors. Designed for pressure or vacuum service on a pumper. Maximum operating pressure is 300 psi (20 bar). Meets 900 psi hydrostatic strength test. The aluminum casting is hard coat anodized, and TFT powder coated inside and out for maximum corrosion protection. All components on the wet side of the valve are made of stainless steel for additional corrosion protection. Meets NFPA slow-close requirements. The Ball Intake Valves allow for multiple control configurations, with reversible side handwheel as well as a top mounted control to allow ease of use on all apparatus pump panel designs. Valve position indicator is standard. The unit comes equipped with a rugged 3/4" (19mm) drain valve to quickly drain water from the valve housing. A port for an option air bleed valve is incorporated in the design for user friendly configurability. Hose couplings and truck connections are attached to the valve using polymer bearing rings which provide electrical isolation to help prevent galvanic corrosion. Does not include pressure relief valve. Opening for optional pressure relief valve is capped. Contact TFT customer service for configurations not shown. Pressure Loss Chart is located at the end of catalog.

Dimensional Maximum
ACS1SX-NX-PS
29.9 lb (13.6 kg)
14.4" (36.7 cm) Height
11.2" (28.4 cm) Width
11.0" (27.9 cm) Depth

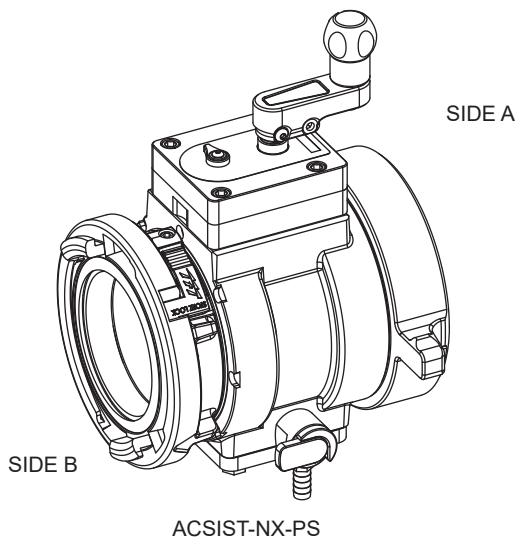
Short Ball Intake Valve
Your Choice

\$2150.00

To add an additional Vent/Drain for the BIV or Jumbo BIV order A1621-KIT. See page 209



For additional air bleed during operation, simply install a bleed valve with 3/4" NPT inlet. A bleed valve can be purchased if desired.



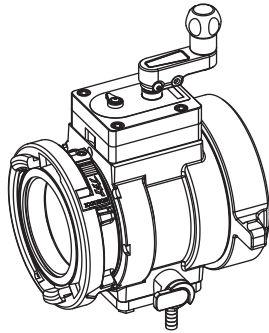
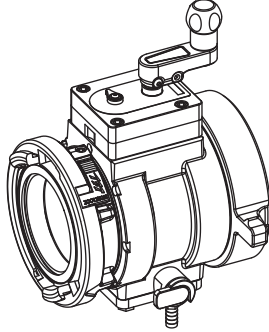
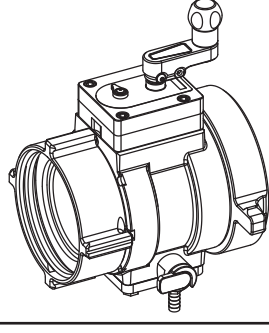
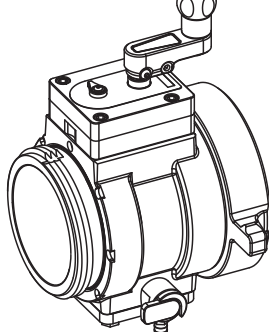
Adapters for 4 or 4.5" (102 or 114 mm) pump inlets.

	4.00" (100.0mm) Pump Inlet Adapter	4.50" (110.0mm) Pump Inlet Adapter
6" (152mm) Threaded Male	AA9NX-NP \$150.00	AA9NX-NR \$150.00

Storz couplings are shipped with a pressure gasket installed. A suction gasket is available upon request for drafting operations.

To change a 4" or 5" (101mm or 127mm) Storz from rigid to full time swivel, back out the lockout screw until the coupling moves freely. See page 212 for diagram

SHORT BIV BALL INTAKE VALVE™ WITH PARALLEL SHAFT DRIVE

Side B		Side A	Option
ACS		—	— PS
1SP) 4.0" (101mm) Rigid Storz 1ST) 5.0" (127mm) Rigid Storz 1SX) 6.0" (152mm) Rigid Storz		NT) 5.0" (127mm) Female Threaded Swivel NX) 6.0" (152mm) Female Threaded Swivel	PS) Parallel Shaft
3SP) 4.0" (101mm) Swivel Storz 3ST) 5.0" (127mm) Swivel Storz 3SX) 6.0" (152mm) Swivel Storz			
7NN) 3.5" (89mm) Female Threaded Swivel 7NP) 4.0" (101mm) Female Threaded Swivel 7NR) 4.5" (114mm) Female Threaded Swivel 7NT) 5.0" (127mm) Female Threaded Swivel			
8NP) 4.0" (101mm) Male Threaded Rigid 8NR) 4.5" (114mm) Male Threaded Rigid 8NT) 5.0" (127mm) Male Threaded Rigid 8NX) 6.0" (152mm) Male Threaded Rigid			

ACS		-		-	P	S
------------	--	---	--	---	----------	----------

(Choose Side A/Side B suffix from table)

Example: A 4.0" (101mm) Rocker lug Female Swivel on Side B to a 6.0" NH (152mm) Female Swivel on Side A would be

ACS	7	N	P	-	N	X	-	P	S
-----	---	---	---	---	---	---	---	---	---

JUMBO SHORT BALL INTAKE VALVE

AP Series - TFT's Jumbo Small Ball Intake Valve has a huge 5-1/4" diameter waterway giving low friction loss to maximize flow. Friction loss is 3 psi at 2000 gpm. Designed for use with 3.5, 4, 4.5, 5 or 6" (89, 100, 115, 125, or 150 mm) hose. Designed for pressure or vacuum service on a pumper. Maximum operating pressure is 250 psi (17 bar). Meets 900 psi (62 bar) hydrostatic strength test. The aluminum castings are hard coat anodized, and TFT-powder coat finished inside and out for maximum corrosion protection. All the components on the wet side of the valve are made of stainless steel for additional corrosion protection. The handwheel needs 7-1/2 turns to close, meeting NFPA slow close requirements. There is a unique position indicator that shows the operator if the valve is open, closed or somewhere in between. The handwheel is installed on the right side of the valve, but can be switched to the left side if desired. The unit comes equipped with a rugged 3/4" (19mm) drain valve to quickly drain water from the valve housing. A port for an optional air bleed valve is incorporated into the design for user friendly configurability. Hose coupling and truck connections are attached to the valve using polymer bearing rings which provide electrical isolation to help prevent galvanic corrosion. Includes TFT's adjustable pressure relief valve with a discharge that can be directed one of four ways and meets NFPA 1901. Contact TFT customer service for configurations not shown. Cap lanyard anchor point is standard. Pressure Loss Chart is located at the end of catalog.

Dimensional Maximum

AP1SX-NX

32.0 lb (14.5 kg)

17.4" (44.2 cm) Height

13.4" (34.0 cm) Width

12.9" (32.8 cm) Depth

Jumbo Short Ball Intake Valve Your Choice

\$2680.00

(*Side A = ST = **\$2995.00**)

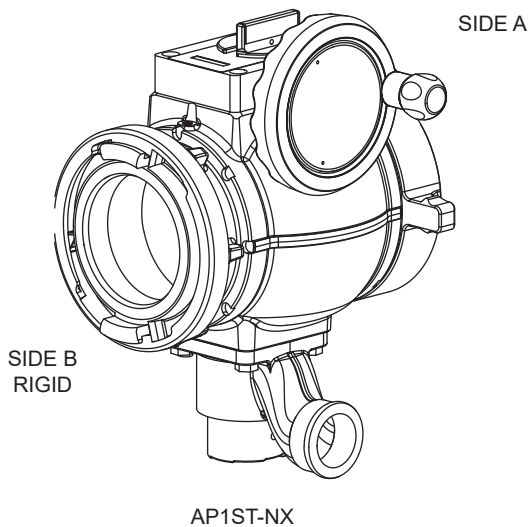
(*Side A = SX = **\$2995.00**)

(*Side A = NY = **\$3355.00**)

To add an additional Vent/Drain for the BIV or Jumbo BIV order A1621-KIT. See page 209



For additional air bleed during operation, simply install a bleed valve with 3/4" NPT inlet. A bleed valve can be purchased if desired.

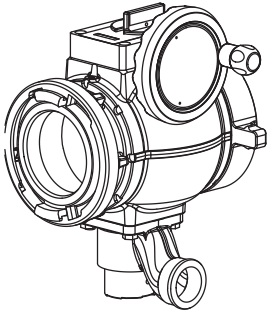
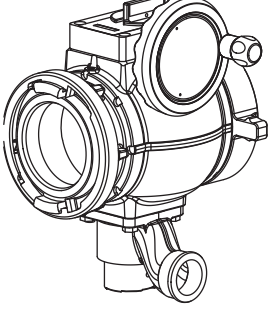
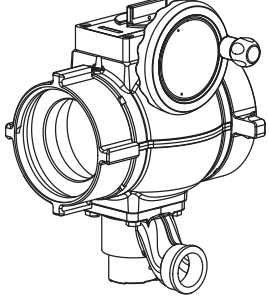
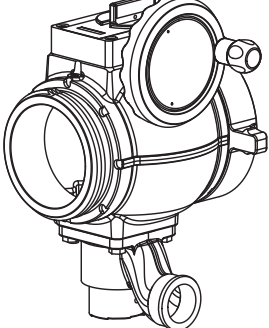


Storz couplings are shipped with a pressure gasket installed. A suction gasket is available upon request for drafting operations.

To change a 4" or 5" (101mm or 127mm) Storz from rigid to full time swivel, back out the lockout screw until the coupling moves freely. See page 212 for diagram

Side B

Side A

AP		-												
	1SP) 4.0" (101mm) Rigid Storz 1ST) 5.0" (127mm) Rigid Storz 1SX) 6.0" (152mm) Rigid Storz		NP) 4.0" (101mm) Long Handle Female Coupling NR) 4.5" (114mm) Long Handle Female Coupling NT) 5.0" (127mm) Long Handle Female Coupling ST) 5.0" (127mm) Storz swivel * SX) 6.0" (152mm) Storz swivel * NX) 6.0" (152mm) Female Threaded Swivel NY) 8.0" (203mm) Female Threaded Swivel *											
	3SP) 4.0" (101mm) Swivel Storz 3ST) 5.0" (127mm) Swivel Storz 3SX) 6.0" (152mm) Swivel Storz		<table border="1" data-bbox="971 655 1399 705"> <tr> <td>AP</td> <td></td> <td>-</td> <td></td> </tr> </table> <p>(Choose Side A/Side B suffix from table) Example: A 4.0" (101mm) Rocker lug Female Swivel on Side B to a 6.0" NH (152mm) Female Swivel on Side A would be</p> <table border="1" data-bbox="1075 848 1416 886"> <tr> <td>AP</td> <td>7</td> <td>N</td> <td>P</td> <td>-</td> <td>N</td> <td>X</td> </tr> </table>	AP		-		AP	7	N	P	-	N	X
AP		-												
AP	7	N	P	-	N	X								
	7NN) 3.5" (89mm) Female Threaded Swivel 7NP) 4.0" (101mm) Female Threaded Swivel 7NR) 4.5" (114mm) Female Threaded Swivel 7NT) 5.0" (127mm) Female Threaded Swivel													
	8NP) 4.0" (101mm) Male Threaded Rigid 8NR) 4.5" (114mm) Male Threaded Rigid 8NT) 5.0" (127mm) Male Threaded Rigid 8NX) 6.0" (152mm) Male Threaded Rigid													

JUMBO SHORT BALL INTAKE VALVE

AQ Series - TFT's Jumbo Short Ball Intake Valve has a huge 5-1/4" diameter waterway giving low friction loss to maximize flow. Friction loss is 3 psi at 2000 gpm. Designed for use with 3.5, 4, 4.5, 5 or 6" (89, 100, 115, 125, or 150 mm) hose. Designed for pressure or vacuum service on a pumper. Maximum operating pressure is 250 psi (17 bar). Meets 900 psi (62 bar) hydrostatic strength test. The aluminum castings are hard coat anodized, and TFT-powder coat finished inside and out for maximum corrosion protection. All the components on the wet side of the valve are made of stainless steel for additional corrosion protection. The handwheel needs 7-1/2 turns to close, meeting NFPA slow close requirements. There is a unique position indicator that shows the operator if the valve is open, closed or somewhere in between. The handwheel is installed on the right side of the valve, but can be switched to the left side if desired. The unit comes equipped with a rugged 3/4" (19mm) drain valve to quickly drain water from the valve housing. A port for an optional air bleed valve is incorporated into the design for user friendly configurability. Hose coupling and truck connections are attached to the valve using polymer bearing rings which provide electrical isolation to help prevent galvanic corrosion. Does not include pressure relief valve. Opening for optional pressure relief valve is capped. Contact TFT customer service for configurations not shown. Cap lanyard anchor point is standard. Pressure Loss Chart located at the end of catalog.

Dimensional Maximum

AQ1SX-NX

30.3 lb (13.7 kg)

13.9" (35.3 cm) Height

13.4" (34.0 cm) Width

12.9" (32.8 cm) Depth

Jumbo Short Ball Intake Valve Your Choice

\$2415.00

(*Side A = ST = **\$2730.00**)

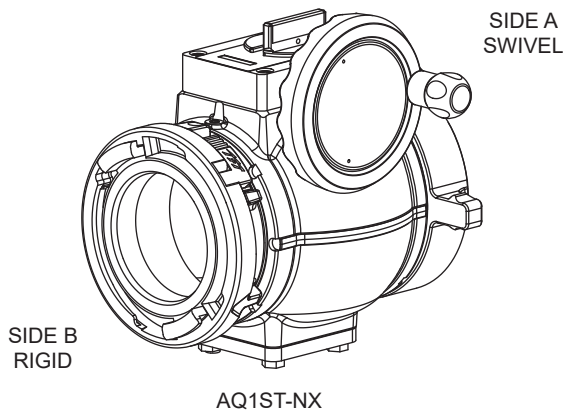
(*Side A = SX = **\$2730.00**)

(*Side A = NY = **\$3090.00**)

To add an additional Vent/Drain for the BIV or Jumbo BIV order A1621-KIT. See page 209



For additional air bleed during operation, simply install a bleed valve with 3/4" NPT inlet. A bleed valve can be purchased if desired.

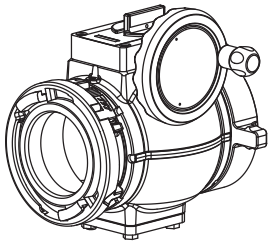
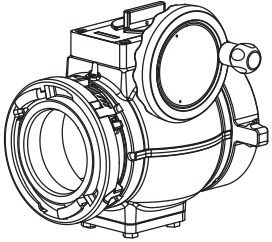
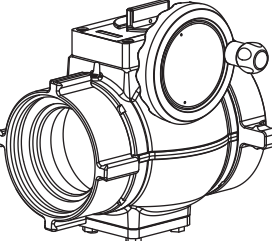
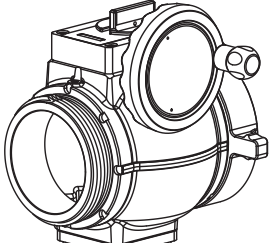


Storz couplings are shipped with a pressure gasket installed. A suction gasket is available upon request for drafting operations.

To change a 4" or 5" (101mm or 127mm) Storz from rigid to full time swivel, back out the lockout screw until the coupling moves freely. See page 212 for diagram

Side B

Side A

AQ			-											
	1SP) 4.0" (101mm) Rigid Storz 1ST) 5.0" (127mm) Rigid Storz 1SX) 6.0" (152mm) Rigid Storz		NP) 4.0" (101mm) Long Handle Female Coupling NR) 4.5" (114mm) Long Handle Female Coupling NT) 5.0" (127mm) Long Handle Female Coupling ST) 5.0" (127mm) Storz swivel * SX) 6.0" (152mm) Storz swivel * NX) 6.0" (152mm) Female Threaded Swivel NY) 8.0" (203mm) Female Threaded Swivel *											
	3SP) 4.0" (101mm) Swivel Storz 3ST) 5.0" (127mm) Swivel Storz 3SX) 6.0" (152mm) Swivel Storz													
	7NN) 3.5" (89mm) Female Threaded Swivel 7NP) 4.0" (110mm) Female Threaded Swivel 7NR) 4.5" (114mm) Female Threaded Swivel 7NT) 5.0" (127mm) Female Threaded Swivel		<table border="1" data-bbox="954 892 1386 940"> <tr> <td>AQ</td> <td></td> <td>-</td> <td></td> </tr> </table> <p>(Choose Side A/Side B suffix from table) Example: A 4.0" (110mm) Rocker lug Female Swivel on Side B to a 6.0" NH (152mm) Female Swivel on Side A would be</p> <table border="1" data-bbox="1036 1045 1373 1083"> <tr> <td>AQ</td> <td>7</td> <td>N</td> <td>P</td> <td>-</td> <td>N</td> <td>X</td> </tr> </table>	AQ		-		AQ	7	N	P	-	N	X
AQ		-												
AQ	7	N	P	-	N	X								
	8NP) 4.0" (110mm) Male Threaded Rigid 8NR) 4.5" (114mm) Male Threaded Rigid 8NT) 5.0" (127mm) Male Threaded Rigid 8NX) 6.0" (152mm) Male Threaded Rigid													

JUMBO SHORT BIV BALL INTAKE VALVE™ WITH PARALLEL SHAFT DRIVE

AP Series - TFT's Jumbo Small Ball Intake Valve has a huge 5.25" (133mm) diameter waterway giving low friction loss to maximize flow. Friction loss is 3 psi at 2000 gpm. Designed for use with 3.5, 4, 4.5, 5 or 6" (89, 100, 115, 125, or 150 mm) hose. Designed for pressure or vacuum service on a pumper. Maximum operating pressure is 250 psi (17 bar). Meets 900 psi (62 bar) hydrostatic strength test. The aluminum castings are hard coat anodized, and TFT-powder coat finished inside and out for maximum corrosion protection. The handcrank needs 7-½ turns to close, meeting NFPA slow close requirements. There is a unique position indicator that shows the operator if the valve is open, closed or somewhere in between. The handcrank is installed with a 2-5/8" (67mm) swing but may be switched to 1-5/8" (41mm) if desired. The unit comes equipped with a rugged 3/4" (19mm) drain valve to quickly drain water from the valve housing. A port for an optional air bleed valve is incorporated into the design for user friendly configurability. Hose coupling and truck connections are attached to the valve using polymer bearing rings which provide electrical isolation to help prevent galvanic corrosion. Includes TFT's adjustable pressure relief valve with a discharge that can be directed one of four ways and meets NFPA 1901. Contact TFT customer service for configurations not shown. Pressure Loss Chart is located at the end of catalog.

Dimensional Maximum

AP1SX-NX-PS

31.0 lbs (14.0kg)

12.70" (32.3 cm) Height

14.00" (36.0 cm) Width

12.20" (31.0 cm) Depth

Jumbo Short Ball Intake Valve Your Choice

\$2680.00

(*Side A = ST = \$2995.00)

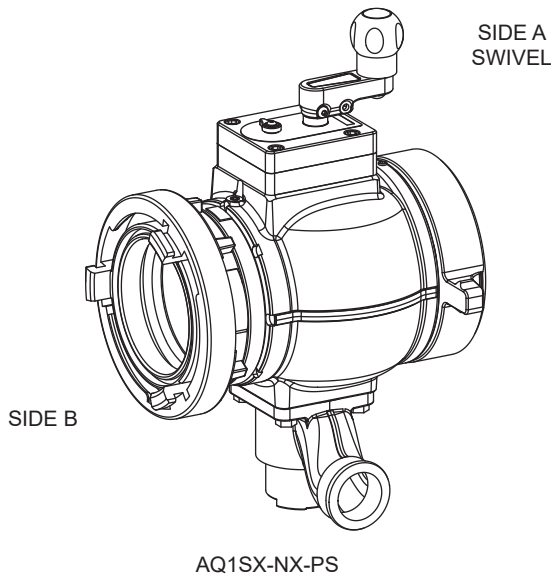
(*Side A = SX = \$2995.00)

(*Side A = NY = \$3355.00)

To add an additional Vent/Drain for the BIV or Jumbo BIV order A1621-KIT. See page 209



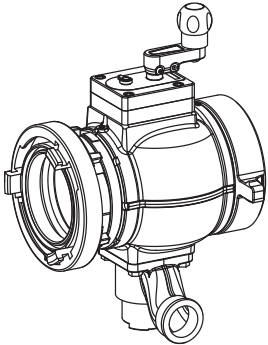
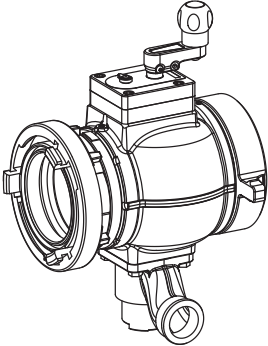
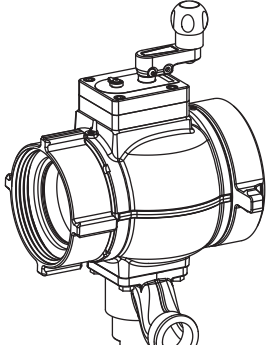
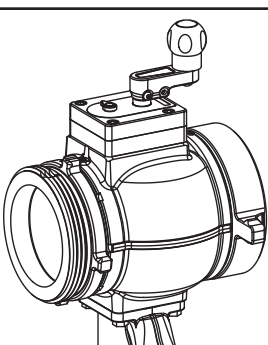
For additional air bleed during operation, simply install a bleed valve with 3/4" NPT inlet. A bleed valve can be purchased if desired.



Storz couplings are shipped with a pressure gasket installed. A suction gasket is available upon request for drafting operations.

To change a 4" or 5" (110mm to 127mm) Storz from rigid to full time swivel, back out the lockout screw until the coupling moves freely. See page 212 for diagram

JUMBO SHORT BIV BALL INTAKE VALVE™ WITH PARALLEL SHAFT DRIVE

Side B		Side A	Option
AP	—	—	PS
1SP) 4.0" (110mm) Rigid Storz 1ST) 5.0" (127mm) Rigid Storz 1SX) 6.0" (152mm) Rigid Storz		NP) 4.0" (101mm) Long Handle Female Coupling NR) 4.5" (114mm) Long Handle Female Coupling NT) 5.0" (127mm) Long Handle Female Coupling ST) 5.0" (127mm) Storz swivel *	(PS) Parallel Shaft
3SP) 4.0" (110mm) Swivel Storz 3ST) 5.0" (127mm) Swivel Storz 3SX) 6.0" (152mm) Swivel Storz		SX) 6.0" (152mm) Storz swivel * NX) 6.0" (152mm) Female Threaded Swivel NY) 8.0" (203mm) Female Threaded Swivel *	
7NN) 3.5" (89mm) Female Threaded Swivel 7NP) 4.0" (110mm) Female Threaded Swivel 7NR) 4.5" (114mm) Female Threaded Swivel 7NT) 5.0" (127mm) Female Threaded Swivel			
8NP) 4.0" (110mm) Male Threaded Rigid 8NR) 4.5" (114mm) Male Threaded Rigid 8NT) 5.0" (127mm) Male Threaded Rigid 8NX) 6.0" (152mm) Male Threaded Rigid			

AP	-	-	P	S
-----------	---	---	----------	----------

(Choose Side A/Side B suffix from table)
 Example: A 4.0" (110mm) Rocker lug Female Swivel on Side B to a 6.0" NH (152mm) Female Swivel on Side A would be

AP	7	N	P	-	N	X	-	P	S
----	---	---	---	---	---	---	---	---	---

JUMBO SHORT BIV BALL INTAKE VALVE™ WITH PARALLEL SHAFT DRIVE

AQ Series - TFT's Jumbo Short Ball Intake Valve has a huge 5.25" (133mm) diameter waterway giving low friction loss to maximize flow. Friction loss is 3 psi at 2000 gpm. Designed for use with 3.5, 4, 4.5, 5 or 6" (89, 100, 115, 125, or 150 mm) hose. Designed for pressure or vacuum service on a pumper. Maximum operating pressure is 250 psi (17 bar). Meets 900 psi (62 bar) hydrostatic strength test. The aluminum castings are hard coat anodized, and TFT-powder coat finished inside and out for maximum corrosion protection. The handcrank needs 7-½ turns to close, meeting NFPA slow close requirements. There is a unique position indicator that shows the operator if the valve is open, closed or somewhere in between. The handcrank is installed with a 2-5/8" (67mm) swing but may be switched to 1-5/8" (41mm) if desired. The unit comes equipped with a rugged 3/4" (19mm) drain valve to quickly drain water from the valve housing. A port for an optional air bleed valve is incorporated into the design for user friendly configurability. Hose coupling and truck connections are attached to the valve using polymer bearing rings which provide electrical isolation to help prevent galvanic corrosion. Does not include pressure relief valve. Opening for optional pressure relief valve is capped. Contact TFT customer service for configurations not shown. Pressure Loss Chart located at the end of catalog.

Dimensional Maximum

AQ1SX-NX

34.0 lbs (15.4kg)

17.75" (45.0cm) Height

14.00" (36.0cm) Width

12.20" (31.0cm) Depth

Jumbo Short Ball Intake Valve Your Choice

\$2520.00

(*Side A = ST = **\$2835.00**)

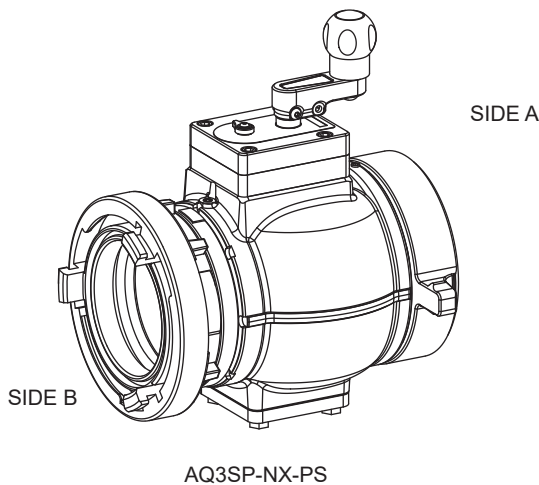
(*Side A = SX = **\$2835.00**)

(*Side A = NY = **\$3195.00**)

To add an additional Vent/Drain for the BIV or Jumbo BIV order A1621-KIT. See page 209



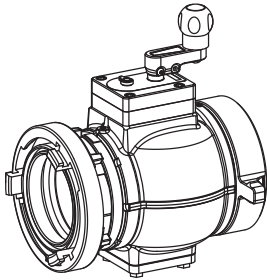
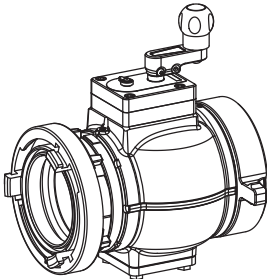
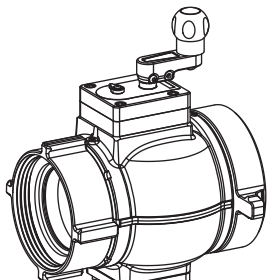
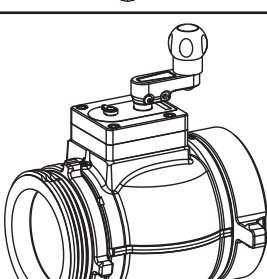
For additional air bleed during operation, simply install a bleed valve with 3/4" NPT inlet. A bleed valve can be purchased if desired.



Storz couplings are shipped with a pressure gasket installed. A suction gasket is available upon request for drafting operations.

To change a 4" or 5" Storz from rigid to full time swivel, back out the lockout screw until the coupling moves freely. See page 212 for diagram

JUMBO SHORT BIV BALL INTAKE VALVE™ WITH PARALLEL SHAFT DRIVE

Side B		Side A	Option
AQ			PS
1SP) 4.0" (110mm) Rigid Storz 1ST) 5.0" (127mm) Rigid Storz 1SX) 6.0" (152mm) Rigid Storz		NP) 4.0" (101mm) Long Handle Female Coupling NR) 4.5" (114mm) Long Handle Female Coupling NT) 5.0" (127mm) Long Handle Female Coupling ST) 5.0" (127mm) Storz swivel * SX) 6.0" (152mm) Storz swivel * NX) 6.0" (152mm) Female Threaded Swivel NY) 8.0" (203mm) Female Threaded Swivel *	PS) Parallel Shaft
3SP) 4.0" (110mm) Swivel Storz 3ST) 5.0" (127mm) Swivel Storz 3SX) 6.0" (152mm) Swivel Storz			
7NN) 3.5" (89mm) Female Threaded Swivel 7NP) 4.0" (110mm) Female Threaded Swivel 7NR) 4.5" (114mm) Female Threaded Swivel 7NT) 5.0" (127mm) Female Threaded Swivel			
8NP) 4.0" (110mm) Male Threaded Rigid 8NR) 4.5" (114mm) Male Threaded Rigid 8NT) 5.0" (127mm) Male Threaded Rigid 8NX) 6.0" (152mm) Male Threaded Rigid			

AQ		-		-	P	S
-----------	--	---	--	---	----------	----------

(Choose Side A/Side B suffix from table)
 Example: A 4.0" Rocker lug Female Swivel on Side B to a 6.0" NH Female Swivel on Side A would be

AP	7	N	P	-	N	X	-	P	S
----	---	---	---	---	---	---	---	---	---

JUMBO LOW PROFILE BIV BALL INTAKE VALVE™

AXD Series – TFT's Jumbo Low Profile Ball intake valve has a huge 5.25" (133 mm) diameter waterway giving low friction loss to maximize flow. Designed for use with 3.5, 4, 4.5, 5 or 6" (89, 100, 115, 125, or 150 mm) hose. The 30° intake elbow swivels 360°, has multiple positive detents and includes a cap lanyard anchor point. Make hose connections in any direction with minimal kinks and coupling stress. The valve is designed for pressure or vacuum service. Maximum operating pressure is 250 psi (17 bar). Meets 900 psi (62 bar) hydrostatic strength test. Seven and a half turns of the hand crank to close the valve meets NFPA slow close requirements. A reflective position indicator clearly shows the operator the valve's position. The handcrank can be specified to operate in the front or the top of the valve to maximize clearance. A rugged ¼-turn Air Vent at the top of the valve allows air to be bled quickly. TFT's adjustable Pressure Relief Valve (PRV) is installed with the discharge pointing downward and meets NFPA 1901. The aluminum castings are hard coat anodized, and TFT Powder Coat finished inside and out for maximum corrosion protection. All wetted components are aluminum alloys to prevent galvanic corrosion, and are specially coated for additional corrosion protection. Hose coupling and truck connections are attached to the valve using polymer bearing rings which can provide electrical isolation to help prevent galvanic corrosion. The Jumbo Low Profile Ball Intake Valve is covered by a 10 year warranty. Contact TFT customer service for configurations not shown. Friction loss is 5 psi at 2000 gpm; Pressure Loss Chart is located at the end of catalog.



The Low Profile Jumbo Intake Value series includes a 10 year warranty against manufacturing defects and corrosion that affects the valve's operational performance.

Dimensional Maximum

AXD7HNX-NX-T
27.5 lbs (12.5kg)
14.7" (37.3cm) Height
13.8" (35.1cm) Width
11.3" (28.7cm) Depth

Any Jumbo Low Profile Ball Intake Valve
Your Choice

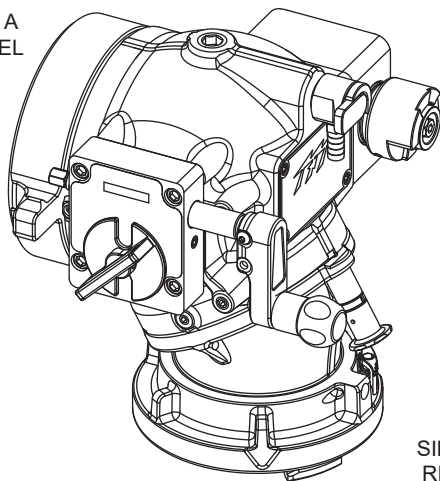
\$2550.00

(*Side A = ST = \$2865.00)
(*Side A = SX = \$2865.00)
(*Side A = NY = \$3225.00)

Storz couplings are shipped with a pressure gasket installed. A suction gasket is available upon request for drafting operations.

To change a 4" or 5" (102mm or 127mm) Storz from rigid to full time swivel, back out the lockout screw until the coupling moves freely. See Changing Coupling Lockout page 212 for diagram

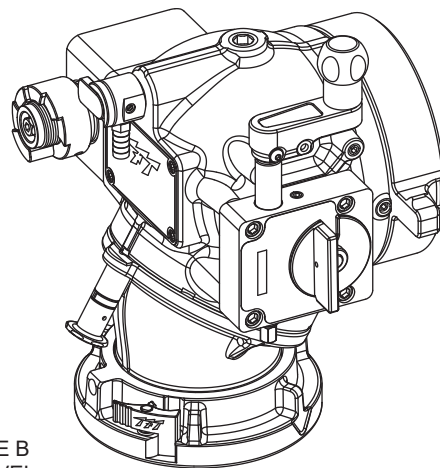
SIDE A
SWIVEL



LEFT
FRONT CRANK SHOWN
AXD1ST-NX-F

SIDE B
RIGID

SIDE B
SWIVEL



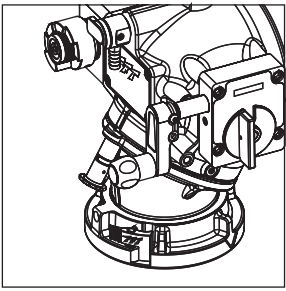
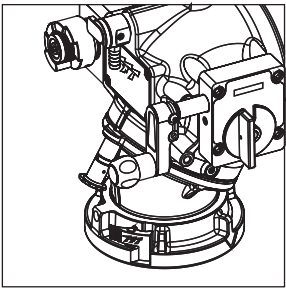
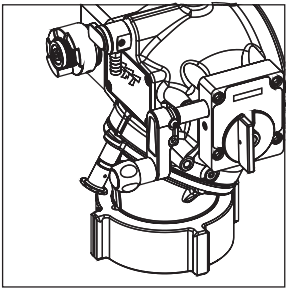
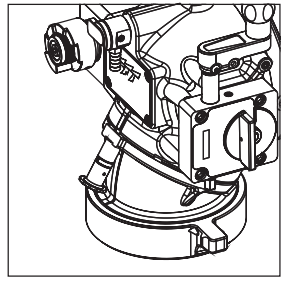
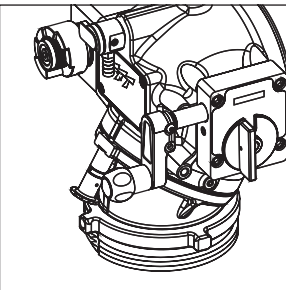
RIGHT
TOP CRANK SHOWN
AXE3ST-NX-T

SIDE A
SWIVEL

If a Pressure Relief Valve (PRV) is not required, substitute the part number prefix AXD with AZD or AXE with AZE. AZD and AZE denotes no PRV, deduct \$260 from the appropriate AXD or AXE published list price.

Pressure Relief Valve information is located on page 125.

Suction Screen information is located on page 209, under LDH service kits.

Crank Side	Side B		Side A	Crank Position
AXD) Left AXE) Right	1SP) 4.0" (100mm) Rigid Storz 1ST) 5.0" (127mm) Rigid Storz 1SX) 6.0" (152mm) Rigid Storz		NP) 4.0" (100mm) Long Handle Female Coupling NR) 4.5" (114mm) Long Handle Female Coupling ST) 5.0" (127mm) Storz swivel * SX) 6.0" (152mm) Storz swivel * NT) 5.0" (127mm) Female Threaded Swivel NX) 6.0" (152mm) Female Threaded Swivel NY) 8.0" (203mm) Female Threaded Swivel *	F) Front Crank T) Top Crank
	3SP) 4.0" (100mm) Swivel Storz 3ST) 5.0" (127mm) Swivel Storz 3SX) 6.0" (152mm) Swivel Storz			
	7NN) 3.5" (89mm) Female Threaded Swivel 7NP) 4.0" (100mm) Female Threaded Swivel 7NR) 4.5" (114mm) Female Threaded Swivel 7NT) 5.0" (152mm) Female Threaded Swivel			
	7HNP) 4.0" (100mm) Female Threaded Swivel Handle 7HNR) 4.5" (114mm) Female Threaded Swivel Handle 7HNT) 5.0" (127mm) Female Threaded Swivel Handle 7HNX) 6.0" (152mm) Female Threaded Swivel Handle			
	8NP) 4.0" (100mm) Male Threaded Rigid 8NR) 4.5" (114mm) Male Threaded Rigid 8NT) 5.0" (127mm) Male Threaded Rigid 8NX) 6.0" (152mm) Male Threaded Rigid			

AX*		-		-	
------------	--	---	--	---	--

(Choose left or right, side B, side A, and crank position options from table)

Example: A Left 4.0" (100mm) Rocker lug Female Swivel on Side B to a 6.0" NH (152mm) Female Swivel on Side A with front crank would be

AXD	7	N	P	-	N	X	-	F
-----	---	---	---	---	---	---	---	---

2.5" (64mm) HYDRANT VALVE

TFT's 2.5" (64mm) Quarter Turn Hydrant Valve is a lightweight valve with a full 2.5" (64mm) waterway. 300 psi (20 bar) operating pressure from either side of valve. Field replaceable valve seat. Quarter turn valve handle has low force to move valve even under pressure. Automatic valve lock keeps valve position while flowing at partial openings. All the components on the wet side of the valve are made of hard coat anodized aluminum for additional corrosion protection. Pipe threaded ports for pressure gauge or bleeder valve. Hole for cap tether attachment. Aluminum casting is hard coated and silver TFT-powder coat finish inside and out for maximum corrosion protection.

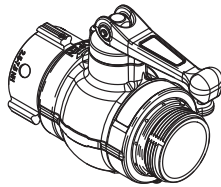
NFPA 1964
COMPLIANT

AV5NJ-NJ

\$535.00

5.8 lbs (2.6 kg)

8.90"H x 5.7"W x 8.4"L
(23.0 x 15.0 x 21.0 cm)



AV5NJ-NJ - 2.5" (64mm) QUARTER TURN HYDRANT VALVE- Quarter-turn aluminum ball valves provide a positive shutoff. Full flow 2.5" (64mm) waterway provides maximum flow with minimal loss. Quarter turn valve handle has low force to move even under pressure. Rugged lightweight aluminium alloy casting with durable powder coat finish inside and out, hard coat anodized couplings, super tough nylon folding handle. 2.5" (64mm) NH female swivel rocker lug inlet coupling is standard.

A1621-KIT - VENT DRAIN KIT is available for the 2.5" Hydrant Valve. See page 209.

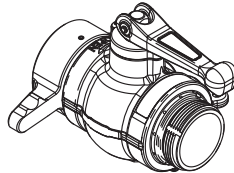
NFPA 1964
COMPLIANT

AV5HNJ-NJ

\$535.00

5.8 lbs (2.6 kg)

8.90"H x 8.9"W x 8.4"L
(23.0 x 23.0 x 21.0 cm)



AV5HNJ-NJ - 2.5" (64mm) QUARTER TURN HYDRANT VALVE - Quarter-turn aluminum ball valves provide a positive shutoff. Full flow 2.5" (64mm) waterway provides maximum flow with minimal loss. Quarter turn valve handle has low force to move even under pressure. Rugged lightweight aluminium alloy casting with durable powder coat finish inside and out, hard coat anodized couplings, super tough nylon folding handle. 2.5" (64mm) NH female swivel long handle inlet coupling is standard.

A1621-KIT - VENT DRAIN KIT is available for the 2.5" Hydrant Valve. See page 209.

2.5" (64mm) SLOW CLOSE HYDRANT VALVE

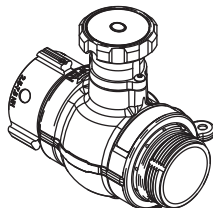
NFPA 1964
COMPLIANT

AV5NJ-NJ-SC

\$580.00

5.8 lbs (2.6 kg)

8.9"H x 5.7"W x 8.40"L
(23.0 x 15.0 x 21.0 cm)



AV5NJ-NJ-SC - 2.5" (64mm) SLOW CLOSE HYDRANT VALVE - Aluminum ball valves provide a positive shutoff. Full flow 2.5" (64mm) waterway provides maximum flow with minimal loss. Multi-turn knob meets slow close requirements, prevents water hammer. Includes valve position indicator. Rugged lightweight aluminium alloy casting with durable powder coat finish inside and out, hard coat anodized couplings. 2.5" (64mm) NH female swivel rocker lug inlet coupling is standard.

A1621-KIT - VENT DRAIN KIT is available for the 2.5" Hydrant Valve. See page 209.

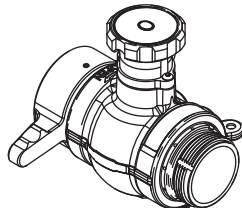
NFPA 1964
COMPLIANT

AV5HNJ-NJ-SC

\$580.00

5.8 lbs (2.6 kg)

8.9"H x 8.9"W x 8.40"L
(23.0 x 23.0 x 21.0 cm)



AV5HNJ-NJ-SC - 2.5" (64mm) SLOW CLOSE HYDRANT VALVE - Aluminum ball valves provide a positive shutoff. Full flow 2.5" (64mm) waterway provides maximum flow with minimal loss. Multi-turn knob meets slow close requirements, prevents water hammer. Includes valve position indicator. Rugged lightweight aluminium alloy casting with durable powder coat finish inside and out, hard coat anodized couplings. 2.5" (64mm) NH female swivel long handle inlet coupling is standard.

A1621-KIT - VENT DRAIN KIT is available for the 2.5" Hydrant Valve. See page 209.

2.5" (64mm) WATER THIEF

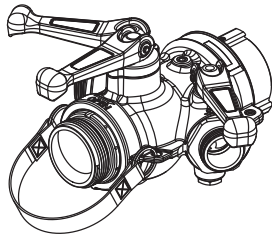
TFT's 2.5" by 1.5" (64mm by 38mm) Water Thief is a lightweight valve with full 2.5" and 1.5" (64mm by 38mm) waterways. 300 psi (20 bar) operating pressure from either side of the valves. Field replaceable valve seats. Quarter turn valve handles with low force to move even under pressure. Automatic valve lock on the 2.5" (64mm) valve keeps its position while flowing at partial openings. Special internal contour on the 1.5" valves keeps them in position while flowing. Folding valve handles minimize storage space. Pipe threaded port for pressure gauge. Carrying strap assists in carrying and dragging hose. Aluminum casting is hard coat anodized and silver TFT-powder coat finish inside and out for maximum corrosion protection.

WT5NJ-NJ-NF

\$1260.00

10.0 lbs (4.5 kg)

6.90"H x 8.00"W x 10.50"L
(18.0 x 25.0 x 27.0 cm)



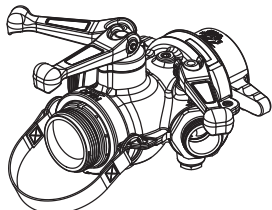
WT5NJ-NJ-NF - WATER THIEF 2.5" (64mm) NHF X 2.5" (64mm) NHM DUAL 1.5" (38mm) NHM SIDE PORTS - Quarter-turn aluminum ball valves provide a positive shutoff. Full flow 2.5" (64mm) and 1.5" (38mm) waterways provide maximum flow with minimal loss. Rugged lightweight aluminium alloy casting with durable powder coat finish inside and out, hard coat anodized couplings, super tough nylon folding handles and carrying strap. 2.5" (64mm) NH female swivel rocker lug inlet coupling is standard.

WT5HNJ-NJ-NF

\$1260.00

10.7 lbs (4.9 kg)

6.90"H x 9.80"W x 10.50"L
(18.0 x 25.0 x 27.0 cm)

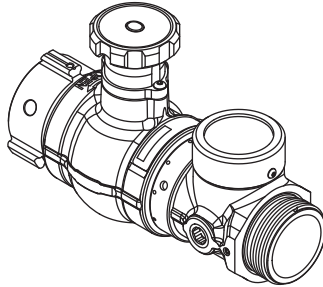


WT5HNJ-NJ-NF - WATER THIEF 2.5" (64mm) NHF X 2.5" (64mm) NHM DUAL 1.5" (38mm) NHM SIDE PORTS - Quarter-turn aluminum ball valves provide a positive shutoff. Full flow 2.5" (65mm) and 1.5" (38mm) waterways provide maximum flow with minimal loss. Rugged lightweight aluminium alloy casting with durable powder coat finish inside and out, hard coat anodized couplings, super tough nylon folding handles and carrying strap. 2.5" (64mm) NH female swivel long handle inlet coupling is standard.

SLOW CLOSE HI-RISE VALVE

TFT's 2.5" (64mm) Slow Close High Rise Valve is a lightweight valve with a full 2.5" (64mm) waterway designed for use on standpipes, truck outlets, on the ground, or where having a pressure reading is advantageous. 300 psi (21 bar) operating pressure from either side of valve. Field replaceable valve seat. Slow close knob has low force to rotate valve even under pressure. Automatic valve lock keeps valve position while flowing at partial openings. All the components on the wet side of the valve are made of hard coat anodized aluminum for additional corrosion protection. Pipe threaded ports for bleeder valve. Hole for cap tether attachment. Aluminum casting is hard coated and silver TFT-powder coat finish inside and out for maximum corrosion protection. The In-line Pivot Pressure Gauge incorporates a liquid filled pressure gauge with an easy to read gauge face into a solid aluminum body, protecting the gauge from damage. Built into the casting is a pitot pickup for an accurate reading of the total pressure in the center of the waterway. The gauge also includes a replaceable lens that protects the gauge face from damage. The lens can easily be changed if it becomes scratched or damaged. The outlet is available with a pivoting joint that moves $\pm 20^\circ$ from center for controlling hose kinks on standpipes with horizontal or vertical discharge. Pivoting outlets cut the weight of hi-rise packs by eliminating a separate elbow. Fully pivoting the discharge changes the gauge reading by less than 5 psi (0.3 bar) at 500 gpm (2000 l/min).

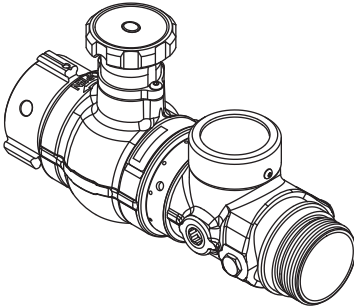
AVGSC3FNJNJ
AVGSC2FHNJNJ
\$965.00
 7.5 lbs (3.4 kg)
 7.7"H x 5.6"W x 12.4"L
 (19.6 x 14.2 x 31.5 cm)



AVGSC3FNJNJ - 2.5" (64mm) SLOW CLOSE HIGH RISE VALVE - Aluminum ball valve provides a positive shutoff. Full flow 2.5" (64mm) waterway provides maximum flow with minimal loss. Multi-turn knob meets slow close requirements, prevents water hammer. Includes valve position indicator. Rugged lightweight aluminum alloy casting with durable powder coat finish inside and out, hard coat anodized couplings. 2.5" (64mm) NH female swivel rocker lug inlet coupling and NH male fixed spout outlet are standard. Includes 0-300 psi (0-21 bar) protected gauge.

AVGSC2FNJNJ - Same as above but pressure gauge is 0-200 psi (0-14 bar)

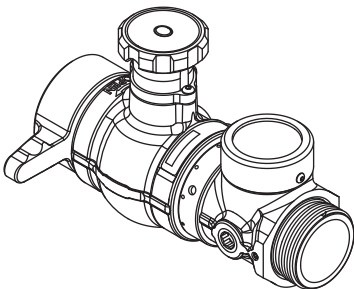
AVGSC3SNJNJ
AVGSC2FNJNJ
\$965.00
 9.5 lbs (4.3 kg)
 7.7"H x 5.6"W x 14.1"L
 (19.6 x 14.2 x 35.8 cm)



AVGSC3SNJNJ - 2.5" (64mm) SLOW CLOSE HIGH RISE VALVE - Aluminum ball valve provides a positive shutoff. Full flow 2.5" (64mm) waterway provides maximum flow with minimal loss. Multi-turn knob meets slow close requirements, prevents water hammer. Includes valve position indicator. Rugged lightweight aluminum alloy casting with durable powder coat finish inside and out, hard coat anodized couplings. 2.5" (64mm) NH female swivel rocker lug inlet coupling and $\pm 20^\circ$ pivoting NH male spout outlet are standard. Includes 0-300 psi (0-21 bar) protected gauge.

AVGSC2SNJNJ - Same as above but pressure gauge is 0-200 psi (0-14 bar)

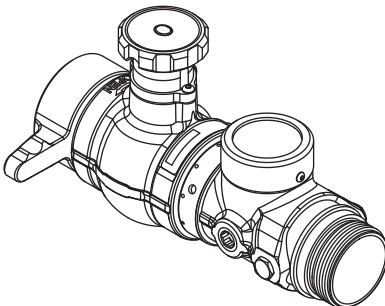
AVGSC3FHNJNJ
AVGSC2SHNJNJ
\$965.00
 8.1 lbs (3.7 kg)
 7.7"H x 5.6"W x 12.4"L
 (19.6 x 14.2 x 31.5 cm)



AVGSC3FHNJNJ - 2.5" (64mm) SLOW CLOSE HIGH RISE VALVE - Aluminum ball valve provides a positive shutoff. Full flow 2.5" (64mm) waterway provides maximum flow with minimal loss. Multi-turn knob meets slow close requirements, prevents water hammer. Includes valve position indicator. Rugged lightweight aluminum alloy casting with durable powder coat finish inside and out, hard coat anodized couplings. 2.5" (64mm) NH female swivel rocker lug inlet coupling and NH male fixed spout outlet are standard. Includes 0-300 psi (0-21 bar) protected gauge.

AVGSC2FHNJNJ - Same as above but pressure gauge is 0-200 psi (0-14 bar)

AVGSC3SHNJNJ
AVGSC2SNJNJ
\$965.00
 10.1 lbs (4.6 kg)
 7.7"H x 5.6"W x 14.1"L
 (19.6 x 14.2 x 35.8 cm)



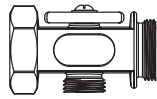
AVGSC3SHNJNJ - 2.5" (64mm) SLOW CLOSE HIGH RISE VALVE - Aluminum ball valve provides a positive shutoff. Full flow 2.5" (64mm) waterway provides maximum flow with minimal loss. Multi-turn knob meets slow close requirements, prevents water hammer. Includes valve position indicator. Rugged lightweight aluminum alloy casting with durable powder coat finish inside and out, hard coat anodized couplings. 2.5" (64mm) NH female swivel long handle inlet coupling and $\pm 20^\circ$ pivoting NH male spout outlet are standard. Includes 0-300 psi (0-21 bar) protected gauge.

AVGSC2HJNJ - Same as above but pressure gauge is 0-200 psi (0-14 bar)

Forestry Tee Valves, In-Line Valves and Gated Wyes

TEE VALVE has a hard coat anodized cast aluminum body with 1.5" (38mm) threads and 1.0" (25mm) branch outlet. The valve stem has a durable nylon handle. The 2.5" (6.4cm) hexagon body is 4.75" (12.1cm) long.

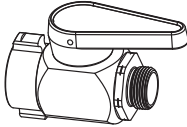
AT**
\$90.00
 1.0 lb (0.5kg)
 4.75" (12.1cm)



AT INLET/OUTLET	TEE VALVE BRANCH	
	1.0" NH (25mm)	1.0" NPSH (25mm)
1.5" NH (38mm)	ATNF-ND	ATNF-ID
1.5" NPSH (38mm)	ATIF-ND	ATIF-ID

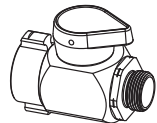
IN-LINE VALVE has an aluminum body with 1" (25mm) ball type valve and optional long or short nylon valve handles. Hard coat anodized finish. Inlet and outlet thread choices are listed in charts below for model numbers. 4" (10.2cm) long by 2.25" (5.7cm) wide, excluding handles. **NPSH threads available at no extra cost. Please specify NPSH in description.**

AVL**
 (long handle)
\$125.00
 1.4 lb (0.6kg)
 4.00" (10.2cm)



AVL INLET	LONG HANDLE IN-LINE VALVE OUTLET	
	1.0" NH (25mm)	1.5" NH (38mm)
1.0" NH (25mm)	AVLND-ND	
1.5" NH (38mm)	AVLNF-ND	AVLNF-NF

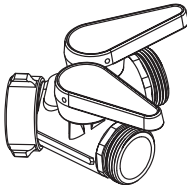
AVS**
 (short handle)
\$125.00
 1.4 lb (0.6kg)
 4.00" (10.2cm)



AVS INLET	SHORT HANDLE IN-LINE VALVE OUTLET	
	1.0" NH (25mm)	1.5" NH (38mm)
1.0" NH (25mm)	AVSND-ND	
1.5" NH (38mm)	AVSNF-ND	AVSNF-NF

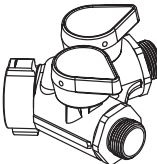
FORESTRY GATED WYE has a cast aluminum body with 1" (25mm) ball type valves and optional long or short nylon valve handles. Hard coat anodized finish. Inlet and outlet threads are available in various combinations of 1" & 1.5" NH and NPSH. Pressure tested to 1000 psi (70 bar) and is 5" (12.7cm) long by 5.5" (14cm) wide, excluding handles. See charts below for model numbers. **NPSH threads available at no extra cost. Please specify NPSH in description.**

AYL**
 (long handle)
\$225.00
 2.2 lb (1.0kg)
 5.00" (12.7cm)



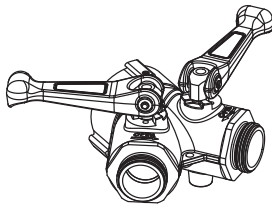
AYL INLET	LONG HANDLE FORESTRY GATED WYE OUTLET	
	1.0" NH (25mm)	1.5" NH (38mm)
1.0" NH (25mm)	AYLND-ND	AYLND-NF
1.5" NH (38mm)	AYLNF-ND	AYLNF-NF

AYS**
 (short handle)
\$225.00
 2.2 lb (1.0kg)
 5.00" (12.7cm)



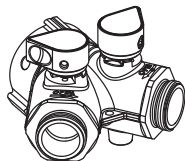
AYS INLET	SHORT HANDLE FORESTRY GATED WYE OUTLET	
	1.0" NH (25mm)	1.5" NH (38mm)
1.0" NH (25mm)	AYSND-ND	
1.5" NH (38mm)	AYSNF-ND	AYSNF-NF

AYNJ-NF
\$510.00
 4.9 lb (2.2kg)
 6.00" x 6.75"
 (15.2 x 17.1cm)



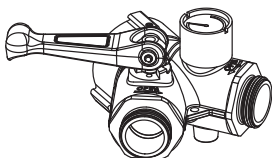
AYNJ-NF - GATED WYE 2.5" NH X 1.5" NH (64mm x 38mm) OUTLETS - 2.5" (65mm) female swivel inlet x two 1.5" (38mm) male outlets. Quarter-turn aluminum ball valves provide a positive shutoff. Full flow 1.5" (38mm) ball waterway. Rugged lightweight aluminum alloy casting with durable powder coat finish inside and out, hard coat anodized couplings, and super tough nylon folding handles. 2.5" NH female swivel rocker lug inlet coupling is standard.

AYSNJ-NF
\$510.00
 3.8 lb (1.7kg)
 5.20" x 6.80"
 (13.2 x 17.3cm)



AYSNJ-NF - GATED WYE 2.5" NH X 1.5" NH (64mm x 38mm) OUTLETS - 2.5" (65mm) female swivel inlet x two 1.5" (38mm) male outlets. Quarter-turn aluminum ball valves provide a positive shutoff. Full flow 1.5" (38mm) ball waterway. Rugged lightweight aluminum alloy casting with durable powder coat finish inside and out, hard coat anodized couplings, and super tough short handles. 2.5" NH female swivel rocker lug inlet coupling is standard.

AYG-NJ-NF
\$510.00
 3.9 lb (1.8kg)
 6.00" x 6-3/4"
 (15.2 x 17.1cm)



AYG-NJ-NF - STANDPIPE WYE 2.5" NH X 1.5" NH (64mm X 38mm) - 2.5" (65mm) female swivel inlet x two 1.5" (38mm) male outlets. This wye is intended for use in high rise packs. One branch of the wye connects to the hose in the pack. The other branch has a quarter-turn aluminum ball valve for positive shutoff. A pressure gauge is mounted on top of the wye. Rugged, lightweight aluminum alloy casting with durable powder coat finish inside and out, hard coat anodized couplings and super tough folding nylon handles. 2.5" NH female rocker lug swivel inlet coupling is standard.

2.5" (64mm) GATED WYE

TFT's 2.5" (64mm) Gated Wye is a lightweight wye with a full 2.5" (64mm) waterway. 300 psi (20 bar) operating pressure from either side of valve. Field replaceable valve seats. Quarter turn folding valve handles for the ultimate in compactness. Low force to move valve even under pressure. Cast in carrying handle. Automatic valve lock keeps valve position while flowing at partial openings. Pipe threaded ports for pressure gauge and bleed valve. Holes for cap tether attachment. Aluminum casting is hard coat anodized and silver TFT-powder coat finish inside and out for maximum corrosion protection. Contact TFT customer service for configurations not shown.

Dimensions for AY5NJ-NJ

10.1 lbs (4.6 kg)
8.90" (23.0cm) Height
10.50" (27.0cm) Width
7.40" (19.0cm) Depth

AY				-		
----	--	--	--	---	--	--

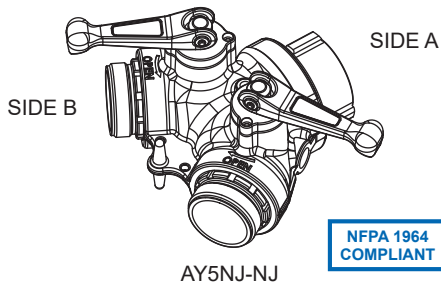
(Choose Side A/Side B suffix from table)

Example: A 2.5" (64mm) Single Female Swivel Rocker Lug to a 2.5" (64mm) Dual male Rigid Outlet would be

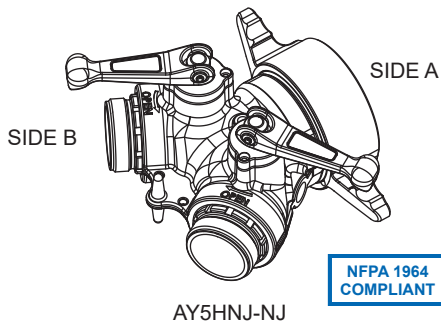
AY	5	N	J	-	N	J
----	---	---	---	---	---	---

AY175-KIT - GAUGE KIT is available for the AY Series Gated Wye. See page 210

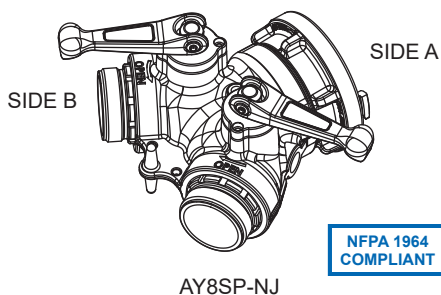
A1621-KIT - VENT DRAIN KIT is available for the AY Series Gated Wye. See page 209



AY5		SIDE B - Dual Male Rigid NH
		2.5" (64mm) Threaded
Side A Single Female Swivel Rocker Lug NH	2.5" (64mm) Threaded Swivel	AY5NJ-NJ \$1480.00
	4.0" (102mm) Threaded Swivel	AY5NP-NJ \$1585.00
	4.5" (114mm) Threaded Swivel	AY5NR-NJ \$1635.00
	5.0" (127mm) Threaded Swivel	AY5NT-NJ \$2015.00



AY5H		SIDE B - Dual Male Rigid NH
		2.5" (64mm) Threaded
Side A Single Female Swivel Handle NH	2.5" (64mm) Threaded Swivel	AY5HNJ-NJ \$1480.00
	4.0" (102mm) Threaded Swivel	AY5HNP-NJ \$1585.00
	4.5" (114mm) Threaded Swivel	AY5HNR-NJ \$1635.00
	5.0" (127mm) Threaded Swivel	AY5HNT-NJ \$1825.00
	6.0" (152mm) Threaded Swivel	AY5HNX-NJ \$2015.00



AY8		SIDE B - Dual Male Rigid NH
		2.5" (65mm) Threaded
Side A Single	4.0" (102mm) Storz	AY8SP-NJ \$1800.00
	5.0" (127mm) Storz	AY8ST-NJ \$2015.00
	6.0" (152mm) Storz	AY8SX-NJ \$2195.00

To change a 4" (102mm) or 5" (127mm) Storz from rigid to full time swivel, back out the lockout screw until the coupling moves freely. See page 212 for diagram.

2.5" (64mm) GATED SIAMESE

TFT's 2.5" (64mm) Gated Siamese is a lightweight wye with a full 2.5" (64mm) waterway. 300 psi (20 bar) operating pressure from either side of valve. Field replaceable valve seats. Quarter turn folding valve handles for the ultimate in compactness. Low force to move valve even under pressure. Cast in carrying handle. Automatic valve lock keeps valve position while flowing at partial openings. Pipe threaded ports for pressure gage and bleed valve. Holes for cap tether attachment. Aluminum casting is hard coat anodized and silver TFT-powder coat finish inside and out for maximum corrosion protection. Contact TFT customer service for configurations not shown.

Dimensions for AY7NJ-NJ

10.1 lbs (4.6 kg)
8.90" (23.0 cm) Height
10.50" (27.0 cm) Width
7.40" (19.0 cm) Depth

AY				-		
----	--	--	--	---	--	--

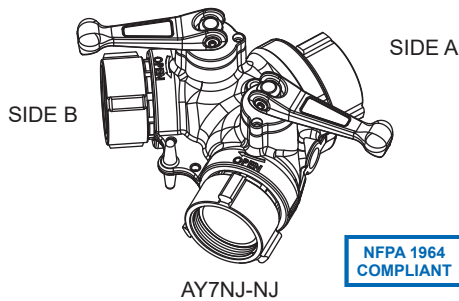
(Choose Side A/Side B suffix from table)

Example: A 2.5" (64mm) Single Female Swivel Rocker Lug to a 2.5" (64mm) Dual Female Swivel Outlet would be

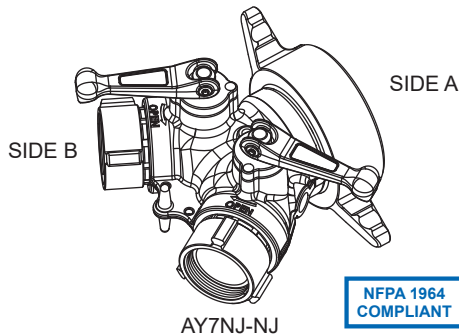
AY	7	N	J	-	N	J
----	---	---	---	---	---	---

AY175-KIT - GAUGE KIT is available for the AY Series Siamese. See page 210

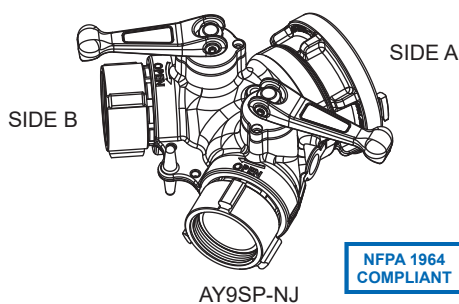
A1621-KIT - VENT DRAIN KIT is available for the AY Series Siamese. See page 209



AY7		SIDE B - Dual Female Swivel Rocker Lug NH	
		2.5" (64mm) Threaded	
Side A Single Female Swivel Rocker Lug NH	2.5" (64mm) Threaded Swivel	AY7NJ-NJ	\$1480.00
	4.0" (102mm) Threaded Swivel	AY7NP-NJ	\$1585.00
	4.5" (114mm) Threaded Swivel	AY7NR-NJ	\$1635.00
	5.0" (127mm) Threaded Swivel	AY7NT-NJ	\$1825.00



AY7H		SIDE B - Dual Female Swivel Rocker Lug NH	
		2.5" (64mm) Threaded	
Side A Single Female Swivel Handle NH	2.5" (64mm) Threaded Swivel	AY7HNJ-NJ	\$1480.00
	4.0" (102mm) Threaded Swivel	AY7HNP-NJ	\$1585.00
	4.5" (114mm) Threaded Swivel	AY7HNR-NJ	\$1635.00
	5.0" (127mm) Threaded Swivel	AY7HNT-NJ	\$1825.00
	6.0" (152mm) Threaded Swivel	AY7HNX-NJ	\$2015.00



AY9		SIDE B - Dual Female Swivel Rocker Lug NH	
		2.5" (64mm) Threaded	
Side A Single	4.0" (102mm) Storz	AY9SP-NJ	\$1800.00
	5.0" (127mm) Storz	AY9ST-NJ	\$2015.00
	6.0" (152mm) Storz	AY9SX-NJ	\$2195.00

To change a 4" or 5" (102 or 127mm) Storz from rigid to full time swivel, back out the lockout screw until the coupling moves freely. See page 212 for diagram.

2.5" (64mm) GATED WYE - SLOW CLOSE

TFT's 2.5" (64mm) Gated Wye is a lightweight wye with a full 2.5" (64mm) waterway. 300 psi (20 bar) operating pressure from either side of valve. Field replaceable valve seats. Multi-turn knob meets slow close requirements, prevents water hammer. Includes a visual valve position indicator. Cast in carrying handle. Pipe threaded ports for pressure gauge and bleed valve. Holes for cap tether attachment. Aluminum casting is hard coat anodized and silver TFT-powder coat finish inside and out for maximum corrosion protection. Contact TFT customer service for configurations not shown.

Dimensions for AY5NJ-NJ-SC
10.1 lbs (4.6 kg)
8.90" (23.0cm) Height
10.50" (27.0cm) Width
7.40" (19.0cm) Depth

AY **- NJ - SC**

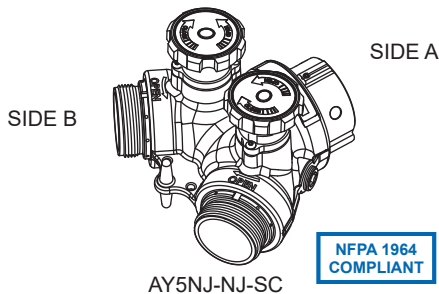
(Choose Side A/Side B suffix from table)

Example: A 2.5" (64mm) Single Female Swivel Rocker Lug to a 2.5" (64mm) Dual Male Rigid Outlet would be

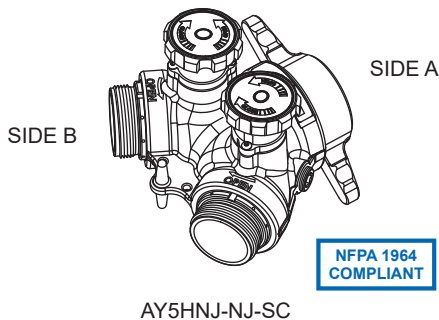
AY 5 N J - NJ - SC

AY175-KIT - GAUGE KIT is available for the AY Series Gated Wye. See page 210

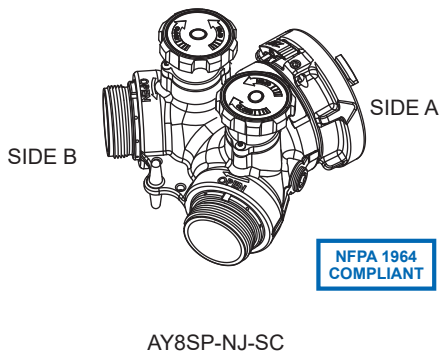
A1621-KIT - VENT DRAIN KIT is available for the AY Series Gated Wye. See page 209



AY5		SIDE B - Dual Male Rigid NH
		2.5" (64mm) Threaded
Side A Single Female Swivel Rocker Lug NH	2.5" (64mm) Threaded Swivel	AY5NJ-NJ-SC \$1570.00
	4.0" (102mm) Threaded Swivel	AY5NP-NJ-SC \$1675.00
	4.5" (114mm) Threaded Swivel	AY5NR-NJ-SC \$1725.00
	5.0" (127mm) Threaded Swivel	AY5NT-NJ-SC \$2105.00



AY5H		SIDE B - Dual Male Rigid NH
		2.5" (64mm) Threaded
Side A Single Female Swivel Handle NH	2.5" (64mm) Threaded Swivel	AY5HNJ-NJ-SC \$1570.00
	4.0" (102mm) Threaded Swivel	AY5HNP-NJ-SC \$1675.00
	4.5" (114mm) Threaded Swivel	AY5HNR-NJ-SC \$1725.00
	5.0" (127mm) Threaded Swivel	AY5HNT-NJ-SC \$1915.00
	6.0" (152mm) Threaded Swivel	AY5HNX-NJ-SC \$2105.00



AY8		SIDE B - Dual Male Rigid NH
		2.5" (64mm) Threaded
Side A Single	4.0" (102mm) Storz	AY8SP-NJ-SC \$1890.00
	5.0" (127mm) Storz	AY8ST-NJ-SC \$2105.00
	6.0" (152mm) Storz	AY8SX-NJ-SC \$2285.00

To change a 4" or 5" (102 or 127mm) Storz from rigid to full time swivel, back out the lockout screw until the coupling moves freely. See page 212 for diagram.

2.5" (64mm) GATED SIAMESE - SLOW CLOSE

TFT's 2.5" (64mm) Gated Siamese is a lightweight wye with a full 2.5" (64mm) waterway. 300 psi (20 bar) operating pressure from either side of valve. Field replaceable valve seats. Multi-turn knob meets slow close requirements, prevents water hammer. Includes a visual valve position indicator. Cast in carrying handle. Pipe threaded ports for pressure gauge and bleed valve. Holes for cap tether attachment. Aluminum casting is hard coat anodized and silver TFT-powder coat finish inside and out for maximum corrosion protection. Contact TFT customer service for configurations not shown.

Dimensions for AY7NJ-NJ-SC

10.1 lbs (4.6 kg)
 8.90" (23.0 cm) Height
 10.50" (27.0 cm) Width
 7.40" (19.0 cm) Depth

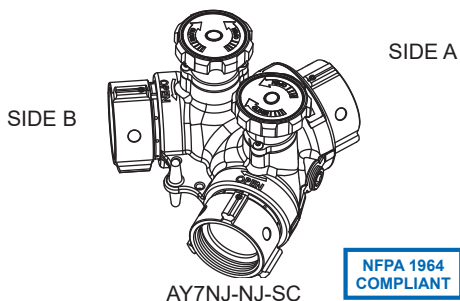
AY				-	NJ	-	SC
----	--	--	--	---	----	---	----

(Choose Side A/Side B suffix from table)
 Example: A 2.5" (64mm) Single Female Swivel Rocker Lug to a 2.5" (64mm) Dual Female Swivel Outlet would be

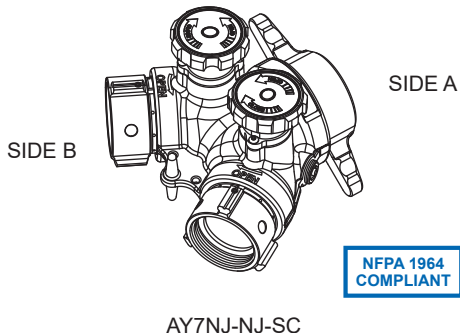
AY	7	N	J	-	NJ	-	SC
----	---	---	---	---	----	---	----

AY175-KIT - GAUGE KIT is available for the AY Series Siamese. See page 210

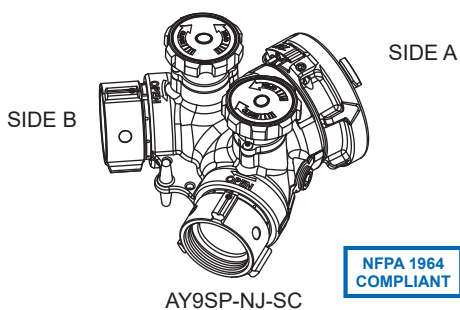
A1621-KIT - VENT DRAIN KIT is available for the AY Series Siamese. See page 209



		AY7	SIDE B - Dual Female Swivel Rocker Lug NH
		2.5" (64mm) Threaded	
Side A Single Female Swivel Rocker Lug NH	2.5" (65mm) Threaded Swivel		AY7NJ-NJ-SC \$1570.00
	4.0" (102mm) Threaded Swivel		AY7NP-NJ-SC \$1675.00
	4.5" (114mm) Threaded Swivel		AY7NR-NJ-SC \$1725.00
	5.0" (127mm) Threaded Swivel		AY7NT-NJ-SC \$1915.00



		AY7H	SIDE B - Dual Female Swivel Rocker Lug NH
		2.5" (64mm) Threaded	
Side A Single Female Swivel Handle NH	2.5" (65mm) Threaded Swivel		AY7H NJ-NJ-SC \$1570.00
	4.0" (102mm) Threaded Swivel		AY7H NP-NJ-SC \$1675.00
	4.5" (114mm) Threaded Swivel		AY7H NR-NJ-SC \$1725.00
	5.0" (127mm) Threaded Swivel		AY7H NT-NJ-SC \$1915.00
	6.0" (152mm) Threaded Swivel		AY7H NX-NJ-SC \$2105.00



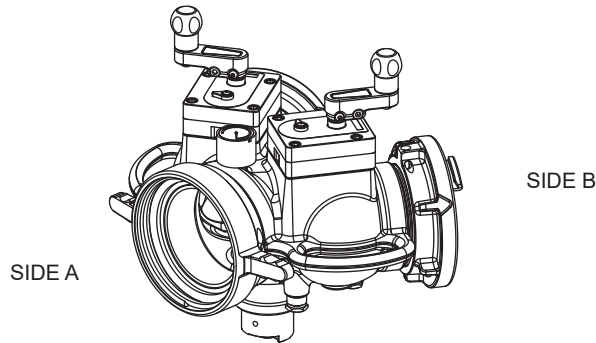
		AY9	SIDE B - Dual Female Swivel Rocker Lug NH
		2.5" (64mm) Threaded	
Side A Single	4.0" (102mm) Storz		AY9SP-NJ-SC \$1905.00
	5.0" (127mm) Storz		AY9ST-NJ-SC \$2105.00
	6.0" (152mm) Storz		AY9SX-NJ-SC \$2285.00

To change a 4" or 5" (102 or 127mm) Storz from rigid to full time swivel, back out the lockout screw until the coupling moves freely. See page 212 for diagram.

LDH GATED WYE

The LDH Gated Wye is a lightweight, low friction-loss valve that can be used in many water distribution applications. Dual robust valve mechanisms from the TFT Ball Intake Valve are streamlined to a large waterway for the ultimate in versatility. Valve seats are field replaceable, devices include a 300 psi (21 bar) pressure gauge and quarter turn air vent and drain valve. Two robust carrying handles make for easy deployment. A polymer bearing ring prevents galvanic corrosion on LDH couplings.

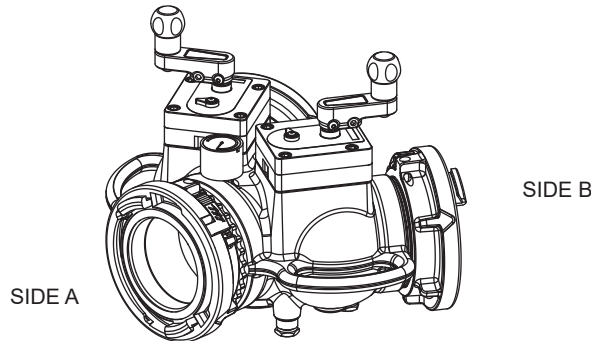
Dimensional Maximum
AL2****
\$3260.00
 47.7 lb (21.6 kg)
 16.3" (37.3 cm) Height
 20.8" (52.8 cm) Width
 16.8" (42.7 cm) Depth



DUAL BALL INTAKE VALVE - Truck / Fixed Applications

AL2	SIDE A		SIDE B (2 Couplings)		PRV
	TYPE	SIZE	TYPE	SIZE	
	6) Female Long Handle (NFS)	P) 4" (110mm) R) 4.5" (114mm) T) 5" (127mm) X) 6" (152mm)	1) Storz Rigid 2) Storz Swivel 3) Female Rocker Lug (FTS) 7) Rigid Male	P) 4" (110mm) R) 4.5" (114mm) T) 5" (127mm) X) 6" (152mm)	0) NO PRV 1) PRV

Dimensional Maximum
AL2**0**
\$3000.00
 46.3 lb (21.0 kg)
 13.8" (35.1 cm) Height
 20.8" (52.8 cm) Width
 16.8" (42.7 cm) Depth

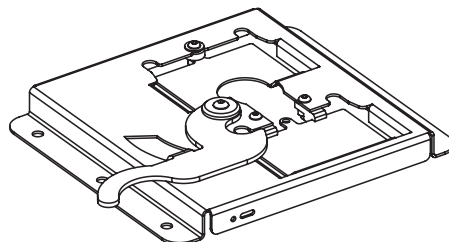


LDH GATED WYE - Ground / Loose Equipment

AL2	SIDE A		SIDE B (2 Couplings)		PRV
	TYPE	SIZE	TYPE	SIZE	
	1) Storz Rigid 2) Storz Swivel 3) Female Rocker Lug (FTS) 5) Female Long Handle (FTS) 7) Rigid Male	P) 4" (110mm) R) 4.5" (114mm) T) 5" (127mm) X) 6" (152mm)	1) Storz Rigid 2) Storz Swivel 3) Female Rocker Lug (FTS) 7) Rigid Male	P) 4" (110mm) R) 4.5" (114mm) T) 5" (127mm) X) 6" (152mm)	0) NO PRV

To change a 4" or 5" (110 or 127mm) Storz from rigid to full time swivel, back out the lockout screw until the coupling moves freely. See page 212 for diagram.

AU-BRACKET
\$275.00
 5.5 lbs. (2.5kg)



JUMBO SIAMESE

AS Series - JUMBO SIAMESE - Designed for 2.5, 3, 3.5, 4, 4.5, 5, or 6" (65, 75, 90, 100, 115, 125, or 150mm) hose. Siamese appliances feature dual clapper valves to allow one or both inlets to be disconnected without draining the water in the third hose line connection. TFT's Siamese are more efficient for LDH flow systems. Maximum operating pressure is 250 psi (17 bar). Meets 900 psi (62 bar) hydrostatic strength test. The aluminum castings are hard coat anodized and TFT-powder coat finish inside and out for maximum corrosion protection. Rugged carrying handle included. Three strategically placed legs allow the appliance to sit off the ground even with 6" (152mm) Storz on inlet/outlet. Large main housing provides superior strength and durability. Hose couplings are attached using polymer bearing rings, which provide electrical isolation to help prevent galvanic corrosion. Contact TFT customer service for configurations not shown.

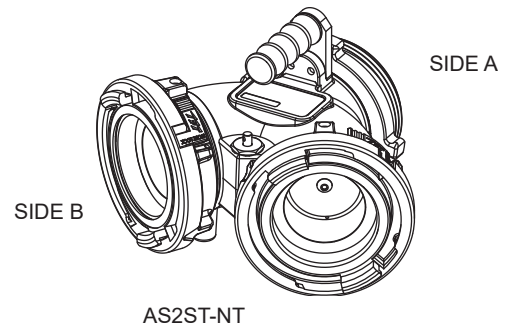
Dimensional Maximum
AS7NT-NT
21.9 lbs (9.9kg)
11.50" (29.1cm) Length
15.20" (38.6cm) Width
10.10" (25.6cm) Height

AS				-		
-----------	--	--	--	---	--	--

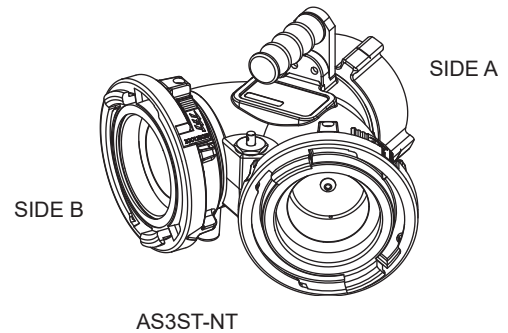
(Choose Side A/Side B suffix from table)
 Example: A 4" (102mm) Storz Swivel Dual inlet to a 5" NH (127mm) thread Male Rigid Outlet would be

AS	2	S	P	-	N	T
----	---	---	---	---	---	---

AS2		SIDE A - Single Male Rigid NH			
		4.0" (102mm) Threaded Rigid	4.5" (114mm) Threaded Rigid	5.0" (127mm) Threaded Rigid	6.0" (152mm) Threaded Rigid
SIDE B - Dual	4.0" (102mm) Storz	AS2SP-NP \$1290.00	AS2SP-NR \$1290.00	AS2SP-NT \$1290.00	AS2SP-NX \$1375.00
	5.0" (127mm) Storz	AS2ST-NP \$1375.00	AS2ST-NR \$1375.00	AS2ST-NT \$1375.00	AS2ST-NX \$1430.00
	6.0" (152mm) Storz Swivel	AS2SX-NP \$1430.00	AS2SX-NR \$1505.00	AS2SX-NT \$1505.00	AS2SX-NX \$1505.00

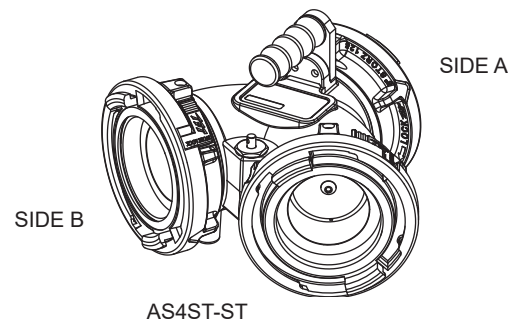


AS3		SIDE A - Single Female Swivel Rocker NH			
		4.0" (102mm) Threaded Swivel	4.5" (114mm) Threaded Swivel	5.0" (127mm) Threaded Swivel	6.0" (152mm) Threaded Swivel
SIDE B - Dual Swivel	4.0" (102mm) Storz	AS3SP-NP \$1290.00	AS3SP-NR \$1290.00	AS3SP-NT \$1375.00	AS3SP-NX \$1375.00
	5.0" (127mm) Storz	AS3ST-NP \$1375.00	AS3ST-NR \$1430.00	AS3ST-NT \$1430.00	AS3ST-NX \$1490.00
	6.0" (152mm) Storz Swivel	AS3SX-NP \$1505.00	AS3SX-NR \$1505.00	AS3SX-NT \$1565.00	AS3SX-NX \$1635.00



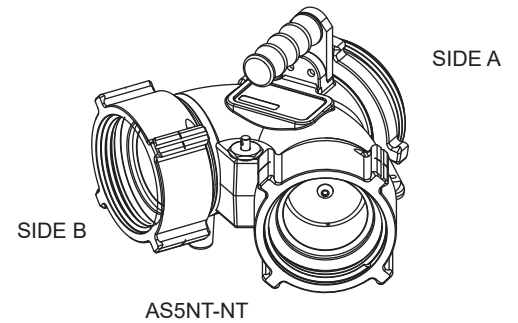
* Long handle only. All others rocker lug.

AS4		SIDE A - Single Swivel		
		4.0" (102mm) Storz	5.0" (127mm) Storz	6.0" (152mm) Storz Swivel
SIDE B - Dual Swivel	4.0" (102mm) Storz	AS4SP-SP \$1375.00	AS4SP-ST \$1375.00	AS4SP-SX \$1430.00
	5.0" (127mm) Storz	AS4ST-SP \$1430.00	AS4ST-ST \$1490.00	AS4ST-SX \$1490.00
	6.0" (152mm) Storz Swivel	AS4SX-SP \$1595.00	AS4SX-ST \$1635.00	AS4SX-SX \$1675.00

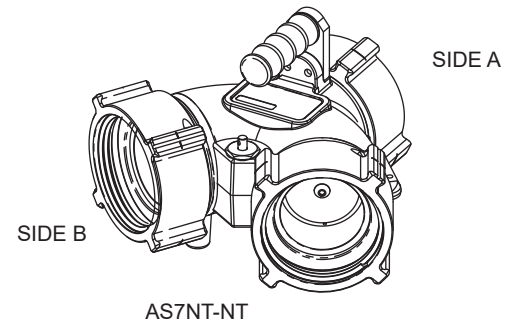


To change a 4" or 5" (102 or 127mm) Storz from rigid to full time swivel, back out the lockout screw until the coupling moves freely. See page 212 for diagram.

AS5		SIDE A - Single Male Rigid NH			
		4.0" (102mm) Threaded Male Rigid	4.5" (114mm) Threaded Male Rigid	5.0" (127mm) Threaded Male Rigid	6.0" (152mm) Threaded Male Rigid
SIDE B - Dual Female Swivel Rocker NH	3.0" (76mm) Threaded Swivel	AS5NL-NP \$855.00	AS5NL-NR \$905.00	AS5NL-NT \$965.00	AS5NL-NX \$1045.00
	3.5" (89mm) Threaded Swivel	AS5NN-NP \$880.00	AS5NN-NR \$940.00	AS5NN-NT \$995.00	AS5NN-NX \$1070.00
	4.0" (110mm) Threaded Swivel	AS5NP-NP \$905.00	AS5NP-NR \$965.00	AS5NP-NT \$995.00	AS5NP-NX \$1100.00
	4.5" (114mm) Threaded Swivel	AS5NR-NP \$940.00	AS5NR-NR \$995.00	AS5NR-NT \$1020.00	AS5NR-NX \$1125.00
	5.0" (127mm) Threaded Swivel	AS5NT-NP \$965.00	AS5NT-NR \$995.00	AS5NT-NT \$1045.00	AS5NT-NX \$1125.00

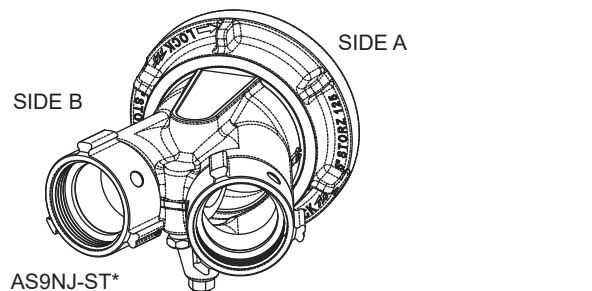


AS7		SIDE A - Single Female Swivel Rocker NH			
		4.0" (102mm) Threaded Swivel	4.5" (114mm) Threaded Swivel	5.0" (127mm) Threaded Swivel	6.0" (152mm)* Threaded Swivel
SIDE B - Dual Female Swivel Rocker NH	3.0" (76mm) Threaded Swivel	AS7NL-NP \$905.00	AS7NL-NR \$965.00	AS7NL-NT \$995.00	AS7NL-NX \$1100.00
	3.5" (89mm) Threaded Swivel	AS7NN-NP \$940.00	AS7NN-NR \$995.00	AS7NN-NT \$1020.00	AS7NN-NX \$1125.00
	4.0" (110mm) Threaded Swivel	AS7NP-NP \$965.00	AS7NP-NR \$995.00	AS7NP-NT \$1045.00	AS7NP-NX \$1150.00
	4.5" (114mm) Threaded Swivel	AS7NR-NP \$995.00	AS7NR-NR \$1020.00	AS7NR-NT \$1070.00	AS7NR-NX \$1150.00
	5.0" (127mm) Threaded Swivel	AS7NT-NP \$995.00	AS7NT-NR \$1045.00	AS7NT-NT \$1100.00	AS7NT-NX \$1210.00

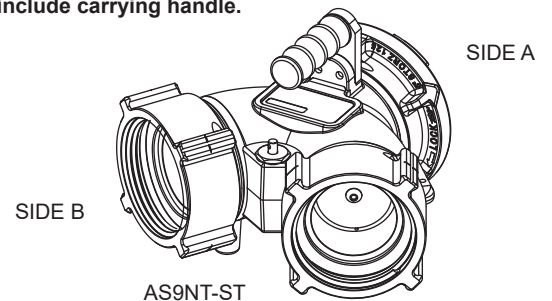


* Long handle only. All others rocker lug.

AS9		SIDE A - Single Storz Swivel		
		4.0" (102mm) Storz	5.0" (127mm) Storz	6.0" (152mm) Storz Swivel
SIDE B - Dual Female Swivel Rocker NH	2.5" (65mm) Threaded Swivel	AS9NJ-SP* \$630.00	AS9NJ-ST* \$630.00	AS9NJ-SX \$860.00
	3.0" (76mm) Threaded Swivel	AS9NL-SP \$965.00	AS9NL-ST \$1045.00	AS9NL-SX \$1150.00
	3.5" (89mm) Threaded Swivel	AS9NN-SP \$995.00	AS9NN-ST \$1070.00	AS9NN-SX \$1150.00
	4.0" (110mm) Threaded Swivel	AS9NP-SP \$995.00	AS9NP-ST \$1100.00	AS9NP-SX \$1210.00
	4.5" (114mm) Threaded Swivel	AS9NR-SP \$1020.00	AS9NR-ST \$1125.00	AS9NR-SX \$1235.00
	5.0" (127mm) Threaded Swivel	AS9NT-SP \$1045.00	AS9NT-ST \$1150.00	AS9NT-SX \$1235.00



*Single clapper only. Does not include carrying handle.



To change a 4" or 5" (102 or 127mm) Storz from rigid to full time swivel, back out the lockout screw until the coupling moves freely. See page 212 for diagram.

JUMBO WYE

AW Series - JUMBO WYE - The same construction as the JUMBO SIAMESE, but without the clapper. Maximum operating pressure is 250 psi (17 bar). Meets 900 psi (62 bar) hydrostatic strength test. The aluminum castings are hard coat anodized and TFT-powder coat finish inside and out for maximum corrosion protection. Rugged carrying handle included. Three strategically placed legs allow the appliance to sit off the ground even with 6" (152mm) Storz on inlet/outlet. Large main housing provides superior strength and durability. Hose couplings are attached using polymer bearing rings, which provide electrical isolation to help prevent galvanic corrosion. Contact TFT customer service for configurations not shown.

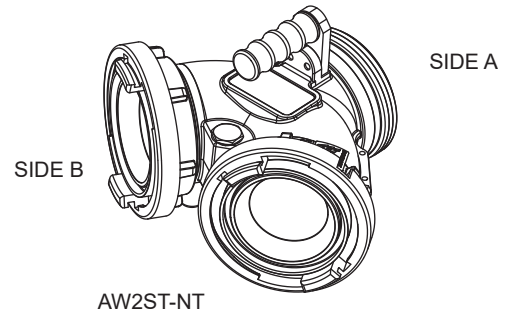
Dimensional Maximums
AW7NT-NT
16.6 lbs (7.5kg)
11.50" (29.1cm) Length
15.20" (38.6cm) Width
10.10" (25.6cm) Height

AW				-		
-----------	--	--	--	---	--	--

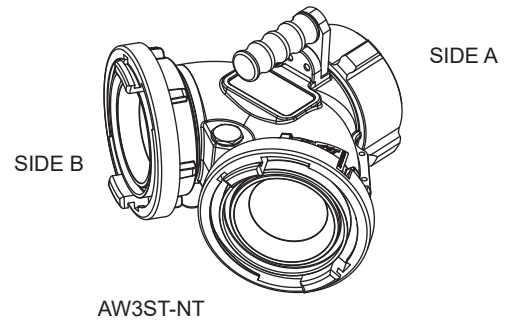
(Choose Side A/Side B suffix from table)
 Example: A 4" (102mm) Storz Swivel Dual inlet to a 5" NH (127mm) thread Male Rigid Outlet would be

AW	2	S	P	-	N	T
----	---	---	---	---	---	---

AW2		SIDE A - Single Male Rigid NH			
		4.0" (102mm) Threaded Rigid	4.5" (114mm) Threaded Rigid	5.0" (127mm) Threaded Rigid	6.0" (152mm) Threaded Rigid
SIDE B - Dual Swivel	4.0" (100mm) Storz	AW2SP-NP \$1150.00	AW2SP-NR \$1180.00	AW2SP-NT \$1235.00	AW2SP-NX \$1290.00
	5.0" (127mm) Storz	AW2ST-NP \$1290.00	AW2ST-NR \$1290.00	AW2ST-NT \$1375.00	AW2ST-NX \$1375.00
	6.0" (152mm) Storz Swivel	AW2SX-NP \$1430.00	AW2SX-NR \$1430.00	AW2SX-NT \$1430.00	AW2SX-NX \$1490.00

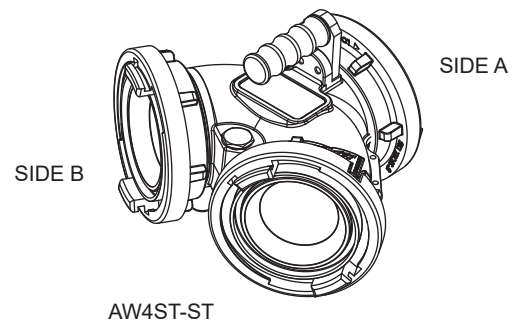


AW3		SIDE A - Single Female Swivel Rocker NH			
		4.0" (102mm) Threaded Swivel	4.5" (114mm) Threaded Swivel	5.0" (127mm) Threaded Swivel	6.0" (152mm)* Threaded Swivel
SIDE B - Dual Swivel	4.0" (100mm) Storz	AW3SP-NP \$1235.00	AW3SP-NR \$1235.00	AW3SP-NT \$1235.00	AW3SP-NX \$1375.00
	5.0" (127mm) Storz	AW3ST-NP \$1375.00	AW3ST-NR \$1375.00	AW3ST-NT \$1375.00	AW3ST-NX \$1375.00
	6.0" (152mm) Storz Swivel	AW3SX-NP \$1430.00	AW3SX-NR \$1490.00	AW3SX-NT \$1490.00	AW3SX-NX \$1565.00



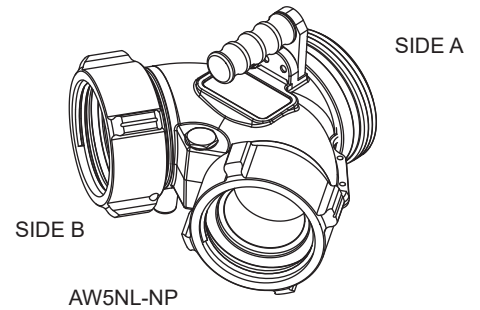
* Long handle only. All others rocker lug.

AW4		SIDE A - Single Swivel		
		4.0" (102mm) Storz	5.0" (127mm) Storz	6.0" (152mm) Storz Swivel
SIDE B - Dual Swivel	4.0" (110mm) Storz	AW4SP-SP \$1290.00	AW4SP-ST \$1375.00	AW4SP-SX \$1430.00
	5.0" (127mm) Storz	AW4ST-SP \$1375.00	AW4ST-ST \$1430.00	AW4ST-SX \$1430.00
	6.0" (152mm) Storz Swivel	AW4SX-SP \$1490.00	AW4SX-ST \$1565.00	AW4SX-SX \$1625.00

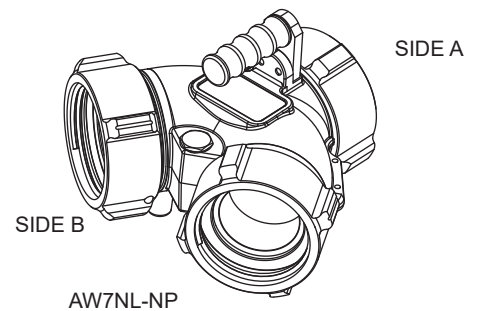


To change a 4" or 5" (102 or 127mm) Storz from rigid to full time swivel, back out the lockout screw until the coupling moves freely. See page 212 for diagram.

AW5		SIDE A - Single Male Rigid NH			
		4.0" (102mm) Threaded Male Rigid	4.5" (114mm) Threaded Male Rigid	5.0" (127mm) Threaded Male Rigid	6.0" (152mm) Threaded Male Rigid
SIDE B - Dual Female Swivel Rocker NH	3.0" (76mm) Threaded Swivel	AW5NL-NP \$825.00	AW5NL-NR \$880.00	AW5NL-NT \$905.00	AW5NL-NX \$995.00
	3.5" (89mm) Threaded Swivel	AW5NN-NP \$855.00	AW5NN-NR \$880.00	AW5NN-NT \$940.00	AW5NN-NX \$1020.00
	4.0" (102mm) Threaded Swivel	AW5NP-NP \$905.00	AW5NP-NR \$905.00	AW5NP-NT \$965.00	AW5NP-NX \$1045.00
	4.5" (114mm) Threaded Swivel	AW5NR-NP \$880.00	AW5NR-NR \$940.00	AW5NR-NT \$995.00	AW5NR-NX \$1075.00
	5.0" (127mm) Threaded Swivel	AW5NT-NP \$905.00	AW5NT-NR \$965.00	AW5NT-NT \$995.00	AW5NT-NX \$1100.00

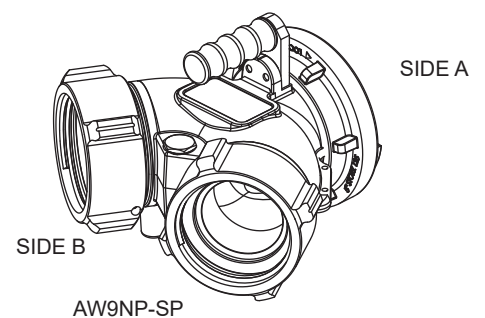


AW7		SIDE A - Single Female Swivel Rocker NH			
		4.0" (102mm) Threaded Swivel	4.5" (114mm) Threaded Swivel	5.0" (127mm) Threaded Swivel	6.0" (152mm) Threaded Swivel *
SIDE B - Dual Female Swivel Rocker NH	3.0" (76mm) Threaded Swivel	AW7NL-NP \$855.00	AW7NL-NR \$905.00	AW7NL-NT \$965.00	AW7NL-NX \$1045.00
	3.5" (89mm) Threaded Swivel	AW7NN-NP \$880.00	AW7NN-NR \$940.00	AW7NN-NT \$995.00	AW7NN-NX \$1075.00
	4.0" (102mm) Threaded Swivel	AW7NP-NP \$905.00	AW7NP-NR \$965.00	AW7NP-NT \$995.00	AW7NP-NX \$1100.00
	4.5" (114mm) Threaded Swivel	AW7NR-NP \$940.00	AW7NR-NR \$995.00	AW7NR-NT \$1020.00	AW7NR-NX \$1125.00
	5.0" (127mm) Threaded Swivel	AW7NT-NP \$965.00	AW7NT-NR \$995.00	AW7NT-NT \$1045.00	AW7NT-NX \$1125.00



* Long handle only. All others rocker lug.

AW9		SIDE A - Single Storz Swivel		
		4.0" (102mm) Storz	5.0" (127mm) Storz	6.0" (152mm) Storz Swivel
SIDE B - Dual Female Swivel Rocker NH	3.0" (76mm) Threaded Swivel	AW9NL-SP \$905.00	AW9NL-ST \$995.00	AW9NL-SX \$1075.00
	3.5" (89mm) Threaded Swivel	AW9NN-SP \$940.00	AW9NN-ST \$1020.00	AW9NN-SX \$1100.00
	4.0" (102mm) Threaded Swivel	AW9NP-SP \$965.00	AW9NP-ST \$1045.00	AW9NP-SX \$1125.00
	4.5" (114mm) Threaded Swivel	AW9NR-SP \$995.00	AW9NR-ST \$1075.00	AW9NR-SX \$1150.00
	5.0" (127mm) Threaded Swivel	AW9NT-SP \$995.00	AW9NT-ST \$1100.00	AW9NT-SX \$1180.00



To change a 4" or 5" (102 or 127mm) Storz from rigid to full time swivel, back out the lockout screw until the coupling moves freely. See page 212 for diagram.

LDH WATER THIEF

TFT's LDH Water Thief is a rugged valve with two valved discharge ports, each with a full 2.5" (64mm) waterway. Maximum operating pressure is 300 psi (21 bar). Valve seats are field replaceable. Quarter turn valve handles operate with low force to move even under pressure. Automatic valve lock keeps its position while flowing at partial openings. Folding handles minimize storage space. Aluminum casting is hard coat anodized and silver TFT Powder Coat finish inside and out for maximum corrosion protection. Optional adjustable pressure relief valve. Contact TFT customer service for configurations not shown.

Dimensional Maximum

AL12P2P1

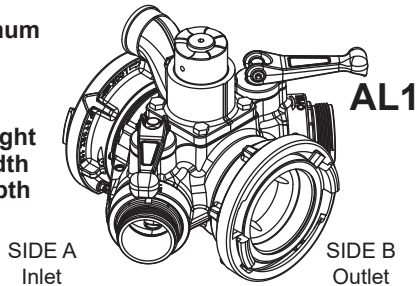
\$1845.00

25.0 lbs (11.3kg)

11.50" (29.2cm) Height

15.00" (38.1cm) Width

15.60" (39.6cm) Depth



Dimensional Maximum

AL12T1T0

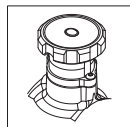
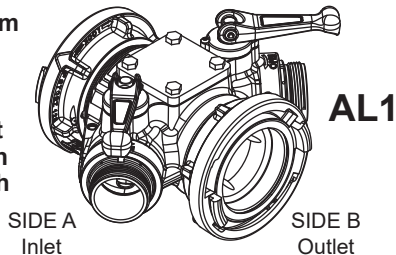
\$1585.00

22.0 lbs (11.3kg)

8.75" (22.2cm) Height

15.00" (38.1cm) Width

15.60" (39.6cm) Depth



Slow Close Valve Option is available on all models. Call for additional information.

LDH SIAMESE WATER THIEF

TFT's LDH Siamese Water Thief is a rugged valve with two valved inlet ports, each with a full 2.5" (64mm) waterway. Maximum operating pressure is 300 psi (21 bar). Valve seats are field replaceable. Quarter turn valve handles operate with low force to move even under pressure. Automatic valve lock keeps its position while flowing at partial openings. Folding handles minimize storage space. Aluminum casting is hard coat anodized and silver TFT Powder Coat finish inside and out for maximum corrosion protection. Optional adjustable pressure relief valve. Contact TFT customer service for configurations not shown.

Dimensional Maximum

AL52P3P1

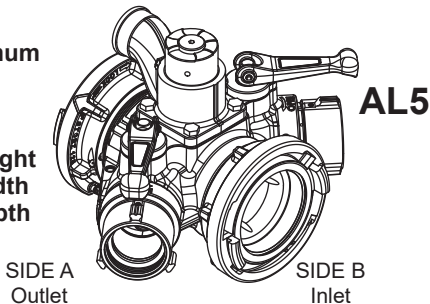
\$1845.00

25.0 lbs (11.3kg)

11.50" (29.2cm) Height

15.00" (38.1cm) Width

15.60" (39.6cm) Depth



Dimensional Maximum

AL52T1T0

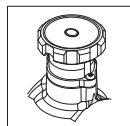
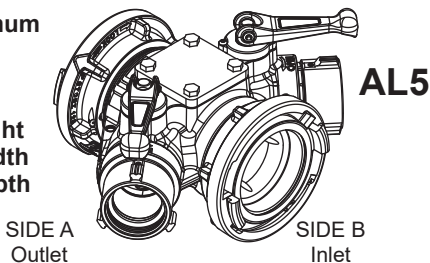
\$1585.00

22.0 lbs (11.3kg)

8.75" (22.2cm) Height

15.00" (38.1cm) Width

15.60" (39.6cm) Depth



Slow Close Valve Option is available on all models. Call for additional information.

LDH WATER THIEF WITH PRV

A INLET SIDE		B OUTLET SIDE	
Inlet Type	Size	Outlet Type	Size
1) Storz Rigid	P) 4" (102mm)	1) Storz Rigid	P) 4" (102mm)
2) Storz Swivel	R) 4.5" (114mm)	2) Storz Swivel	R) 4.5" (114mm)
3) F Rocker Lug Swivel	T) 5" (127mm)	7) Male Rigid	T) 5" (127mm)
5) F Long Handle Swivel		X) 6" (152mm)	

F = Female Water Thief Supplied with 2.5" (64mm) Male Outlets.

LDH WATER THIEF WITHOUT PRV

A INLET SIDE		B OUTLET SIDE	
Inlet Type	Size	Outlet Type	Size
1) Storz Rigid	P) 4" (102mm)	1) Storz Rigid	P) 4" (102mm)
2) Storz Swivel	R) 4.5" (114mm)	2) Storz Swivel	R) 4.5" (114mm)
3) F Rocker Lug Swivel	T) 5" (127mm)	7) Male Rigid	T) 5" (127mm)
5) F Long Handle Swivel		X) 6" (152mm)	

F = Female Water Thief Supplied with 2.5" (64mm) Male Outlets.

To change a 4" or 5" (102 or 127mm) Storz from rigid to full time swivel, back out the lockout screw until the coupling moves freely. See page 212 for diagram

SIAMESE WATER THIEF WITH PRV

A OUTLET SIDE		B INLET SIDE	
Inlet Type	Size	Outlet Type	Size
1) Storz Rigid	P) 4" (102mm)	1) Storz Rigid	P) 4" (102mm)
2) Storz Swivel	R) 4.5" (114mm)	2) Storz Swivel	R) 4.5" (114mm)
7) Male Rigid	T) 5" (127mm)	3) F Rocker Lug Swivel	T) 5" (127mm)
		X) 6" (152mm)	

LDH Suction Water Thief Supplied With Female 2.5" (64mm) Inlets.

SIAMESE WATER THIEF WITHOUT PRV

A OUTLET SIDE		B INLET SIDE	
Inlet Type	Size	Outlet Type	Size
1) Storz Rigid	P) 4" (110mm)	1) Storz Rigid	P) 4" (110mm)
2) Storz Swivel	R) 4.5" (114mm)	2) Storz Swivel	R) 4.5" (114mm)
7) Male Rigid	T) 5" (127mm)	3) F Rocker Lug Swivel	T) 5" (127mm)
		X) 6" (152mm)	

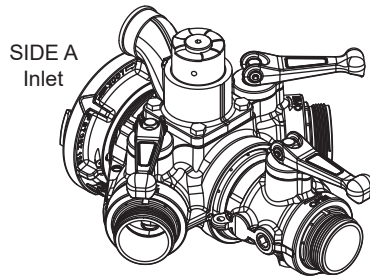
LDH Suction Water Thief Supplied With Female 2.5" (64mm) Inlets.

To change a 4" or 5" (110 or 127mm) Storz from rigid to full time swivel, back out the lockout screw until the coupling moves freely. See page 212 for diagram

3-WAY VALVED MANIFOLD

TFT's 3-Way Valved Manifold is a rugged manifold with three 2.5" (64mm) valved discharge ports, each with a full 2.5" (64mm) waterway. Maximum operating pressure is 300 psi (21 bar). Valve seats are field replaceable. Quarter turn valve handles operate with low force to move even under pressure. Automatic valve lock keeps its position while flowing at partial openings. Folding handles minimize storage space. Aluminum casting is hard coat anodized and silver TFT Powder Coat finish inside and out for maximum corrosion protection. Optional adjustable pressure relief valve. Optional rugged .75" (19mm) air bleed valve to quickly bleed air from the lines or to drain water from the valve housing. Contact TFT customer service for configurations not shown.

Dimensional Maximum
AL32P1
\$2240.00
 25.0 lbs (10.4kg)
 11.50" (29.2cm) Height
 15.00" (38.1cm) Width
 17.50" (44.5cm) Depth

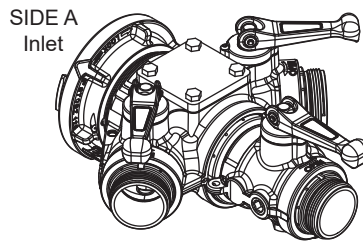


3-WAY MANIFOLD WITH PRV

A INLET SIDE	
AL3	1
Inlet Type 1) Storz Rigid 2) Storz Swivel 3) Female Rocker Lug Swivel 5) Female Long Handle Swivel	Size P) 4" (110mm) R) 4.5" (114mm) T) 5" (127mm) X) 6" (152mm)

3-Way Manifold Supplied with 2.5" (64mm) Male Outlets.

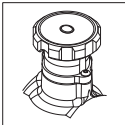
Dimensional Maximum
AL32T0
\$1980.00
 23.0 lbs (9.1kg)
 8.75" (22.2cm) Height
 15.00" (38.1cm) Width
 17.50" (44.5cm) Depth



3-WAY MANIFOLD WITHOUT PRV

A INLET SIDE	
AL3	0
Inlet Type 1) Storz Rigid 2) Storz Swivel 3) Female Rocker Lug Swivel 5) Female Long Handle Swivel	Size P) 4" (110mm) R) 4.5" (114mm) T) 5" (127mm) X) 6" (152mm)

3-Way Manifold Supplied with 2.5" (64mm) Male Outlets.



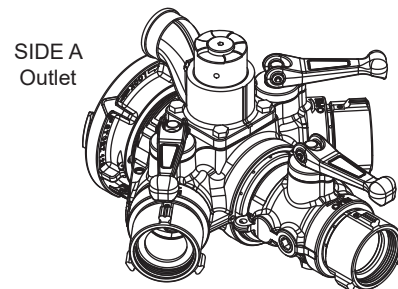
Slow Close Valve Option is available on all models. Call for additional information.

To change a 4" or 5" (110 or 127mm) Storz from rigid to full time swivel, back out the lockout screw until the coupling moves freely. See page 212 for diagram

3-WAY SIAMESE MANIFOLD

TFT's 3-Way Valved Siamese Manifold is a rugged siamese manifold with three 2.5" (64mm) valved inlet ports, each with a full 2.5" (65mm) waterway. Maximum operating pressure is 300 psi (21 bar). Valve seats are field replaceable. Quarter turn valve handles operate with low force to move even under pressure. Automatic valve lock keeps its position while flowing at partial openings. Folding handles minimize storage space. Aluminum casting is hard coat anodized and silver TFT Powder Coat finish inside and out for maximum corrosion protection. Optional adjustable pressure relief valve. Optional rugged .75" (19mm) air bleed valve to quickly bleed air from the lines or to drain water from the valve housing. Contact TFT customer service for configurations not shown.

Dimensional Maximum
AL72T1
\$2240.00
 25.0 lbs (10.4kg)
 11.50" (29.2cm) Height
 15.00" (38.1cm) Width
 17.50" (44.5cm) Depth

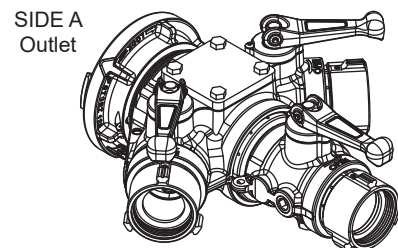


3-WAY SIAMESE WITH PRV

A OUTLET SIDE	
AL7	1
Outlet Type 1) Storz Rigid 2) Storz Swivel 7) Male Rigid	Size P) 4" (110mm) R) 4.5" (114mm) T) 5" (127mm) X) 6" (152mm)

3-Way Siamese Manifold Supplied with 2.5" (64mm) Female Inlets.

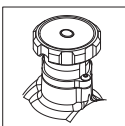
Dimensional Maximum
AL72T0
\$1980.00
 23.0 lbs (9.1kg)
 8.75" (22.2cm) Height
 15.00" (38.1cm) Width
 17.50" (44.5cm) Depth



3-WAY SIAMESE WITHOUT PRV

A OUTLET SIDE	
AL7	0
Outlet Type 1) Storz Rigid 2) Storz Swivel 7) Male Rigid	Size P) 4" (110mm) R) 4.5" (114mm) T) 5" (127mm) X) 6" (152mm)

3-Way Siamese Manifold Supplied with 2.5" (64mm) Female Inlets.



Slow Close Valve Option is available on all models. Call for additional information.

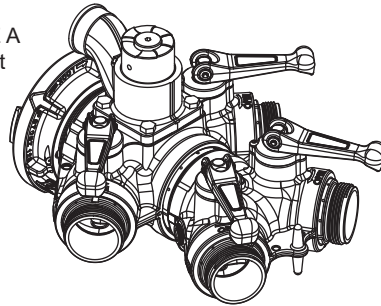
To change a 4" or 5" (110 or 127mm) Storz from rigid to full time swivel, back out the lockout screw until the coupling moves freely. See page 212 for diagram

4-WAY VALVED MANIFOLD

TFT's 4-Way Valved Manifold is a rugged manifold with four 2.5" (64mm) valved discharge ports, each with a full 2.5" (64mm) waterway. Maximum operating pressure is 300 psi (21 bar). Valve seats are field replaceable. Quarter turn valve handles with low force to move even under pressure. Automatic valve lock keeps its position while flowing at partial openings. Folding handles minimize storage space. Aluminum casting is hard coat anodized and silver TFT Powder Coat finish inside and out for maximum corrosion protection. Optional adjustable pressure relief valve. Optional rugged .75" (19mm) air bleed valve to quickly bleed air from the lines or to drain water from the valve housing. Contact TFT customer service for configurations not shown.

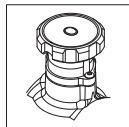
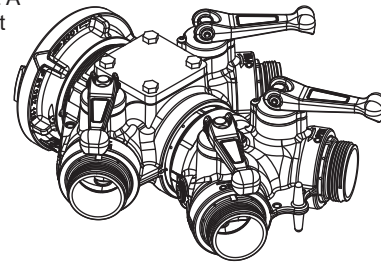
Dimensional Maximum
AL41T1
\$2565.00
30.0 lbs (13.6kg)
11.50" (29.2cm) Height
15.00" (38.1cm) Width
17.50" (44.5cm) Depth

SIDE A
Inlet



Dimensional Maximum
AL41P0
\$2305.00
27.3 lbs (13.6kg)
8.75" (29.2cm) Height
15.00" (38.1cm) Width
17.50" (44.5cm) Depth

SIDE A
Inlet



Slow Close Valve Option is available on all models. Call for additional information.

To change a 4" or 5" (102 or 127mm) Storz from rigid to full time swivel, back out the lockout screw until the coupling moves freely. See page 212 for diagram

4-WAY MANIFOLD WITH PRV

A INLET SIDE		1
AL4		
Inlet Type	Size	
1) Storz Rigid	P) 4" (102mm)	
2) Storz Swivel	R) 4.5" (114mm)	
3) Female Rocker Lug Swivel	T) 5" (127mm)	
5) Female Long Handle Swivel	X) 6" (152mm)	

4-Way Manifold Supplied with 2.5" (64mm) Male Outlets.

4-WAY MANIFOLD WITHOUT PRV

A INLET SIDE		0
AL4		
Inlet Type	Size	
1) Storz Rigid	P) 4" (102mm)	
2) Storz Swivel	R) 4.5" (114mm)	
3) Female Rocker Lug Swivel	T) 5" (127mm)	
5) Female Long Handle Swivel	X) 6" (152mm)	

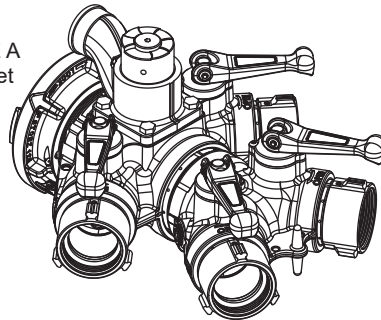
4-Way Manifold Supplied with 2.5" (64mm) Male Outlets.

4-WAY VALVED SIAMESE

TFT's 4-Way Valved Siamese Manifold is a rugged siamese manifold with four 2.5" (64mm) valved inlet ports, each with a full 2.5" (64mm) waterway. Maximum operating pressure is 300 psi (21 bar). Valve seats are field replaceable. Quarter turn valve handles with low force to move even under pressure. Automatic valve lock keeps its position while flowing at partial openings. Folding handles minimize storage space. Aluminum casting is hard coat anodized and silver TFT Powder Coat finish inside and out for maximum corrosion protection. Optional adjustable pressure relief valve. Optional rugged .75" (19mm) air bleed valve to quickly bleed air from the lines or to drain water from the valve housing. Contact TFT customer service for configurations not shown.

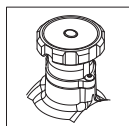
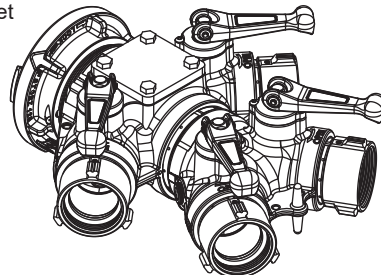
Dimensional Maximum
AL82P1
\$2565.00
30.0 lbs (13.6kg)
11.50" (29.2cm) Height
15.00" (38.1cm) Width
17.50" (44.5cm) Depth

SIDE A
Outlet



Dimensional Maximum
AL81T0
\$2305.00
27.3 lbs (13.6kg)
8.75" (29.2cm) Height
15.00" (38.1cm) Width
17.50" (44.5cm) Depth

SIDE A
Outlet



Slow Close Valve Option is available on all models. Call for additional information.

To change a 4" or 5" (102 or 127mm) Storz from rigid to full time swivel, back out the lockout screw until the coupling moves freely. See page 212 for diagram

4-WAY SIAMESE WITH PRV

A OUTLET SIDE		1
AL8		
Outlet Type	Size	
1) Storz Rigid	P) 4" (102mm)	
2) Storz Swivel	R) 4.5" (114mm)	
7) Male Rigid	T) 5" (127mm)	
	X) 6" (152mm)	

4-Way Siamese Manifold Supplied with 2.5" (64mm) Female Inlets.

4-WAY SIAMESE WITHOUT PRV

A OUTLET SIDE		0
AL8		
Outlet Type	Size	
1) Storz Rigid	P) 4" (102mm)	
2) Storz Swivel	R) 4.5" (114mm)	
7) Male Rigid	T) 5" (127mm)	
	X) 6" (152mm)	

4-Way Siamese Manifold Supplied with 2.5" (64mm) Female Inlets.

5-WAY VALVED MANIFOLD

The 5-Way Manifold is a compact, portable, low friction-loss valve that can be used in many water distribution applications. The hydraulically actuated slide valve combined with four of TFT's 2.5" (64mm) quarter-turn ball valves with folding handles make for the ultimate in versatility. All four 2.5" (65mm) valves can be used with or without the LDH valve being open. Valve seats are field replaceable, and quarter-turn folding valve handles require low force to move, even under pressure. The automatic valve lock on the 2.5" (64mm) valves maintain valve position while flowing at partial openings. Folding handles minimize required storage space. Device includes carrying handle, a pressure gauge and optional PRV. A polymer bearing ring helps prevent galvanic corrosion on LDH couplings. Storage bracket available.

Dimensional Maximum

No PRV

AL92P2P0

\$2615.00

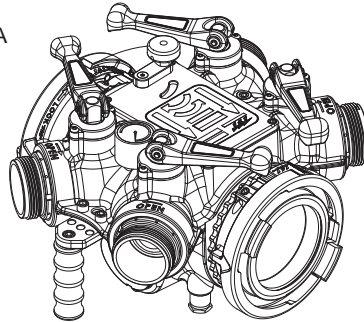
48 lb (21.8 kg)

11.5" (29.2 cm) Height

17.5" (44.5 cm) Width

16.0" (40.6 cm) Depth

SIDE A

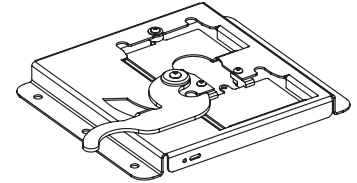


SIDE B

AU-BRACKET

\$275.00

5.5 lbs. (2.5kg)



Dimensional Maximum

With PRV

AL92T2T3

\$2875.00

51.1 lb (23.2 kg)

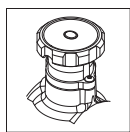
11.5" (29.2 cm) Height

17.5" (44.5 cm) Width

16.0" (40.6 cm) Depth

AL9

INLET SIDE A		OUTLET SIDE B		
TYPE	SIZE	TYPE	SIZE	PRV OPTION
1) Storz Rigid	P) 4" (110mm)	1) Storz Rigid	P) 4" (110mm)	0) NO PRV
2) Storz Swivel	R) 4.5" (114mm)	2) Storz Swivel	R) 4.5" (114mm)	3) 300 psi PRV
3) Female Rocker Lug Full Time Swivel	T) 5" (127mm)	7) Male Rigid	T) 5" (127mm)	
4) Female Rocker Lug Non-Full Time Swivel	X) 6" (152mm)		X) 6" (152mm)	



Slow Close Valve Option is available on all models. Call for additional information.

To change a 4", 5" or 6" (110, 127 or 156mm) Storz from rigid to full time swivel, back out the lockout screw until the coupling moves freely. See page 212 for diagram

LDH GATED WATER THIEF

TFT's LDH Gated Water Thief is a rugged 3.65" (93mm) LDH valve with two valved discharge ports, each with a full 2.5" (64mm) waterway. Maximum operating pressure is 300 psi (21 bar). Valved seats are field replaceable. Slow close valves turn with low force even under pressure. Automatic valve lock keeps its position while flowing at partial openings. Meets NFPA slow close requirements. Aluminum casting is hard coat anodized and silver TFT powercoat finish inside and out for maximum corrosion protection. Optional adjustable pressure relief valve. Contact TFT customer service for configurations not shown.

Dimensional Maximum

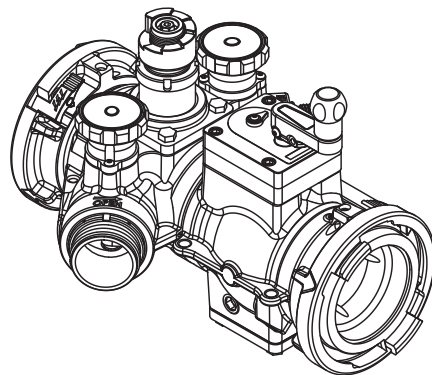
AL62T2T1M

\$2640.00

45.2 lbs (20.5 kg)

13.8"H x 15.0"W x 19.6"L

(35.0 x 38.1 x 49.8 cm)



To change a 4", 5" or 6" (110, 127 or 156mm) Storz from rigid to full time swivel, back out the lockout screw until the coupling moves freely. See page 212 for diagram

AL6

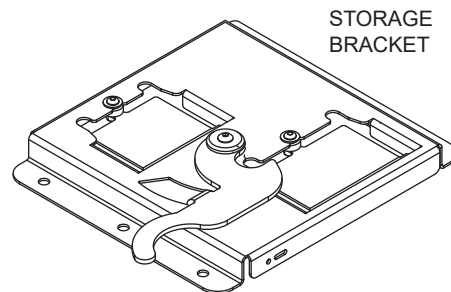
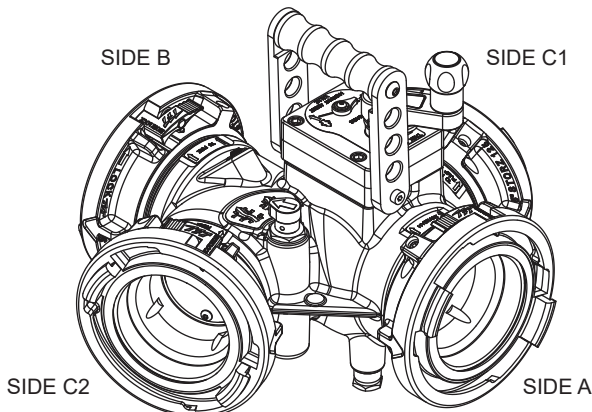
SIDE A		SIDE B		PRV OPTION	2.5" TYPE
TYPE	SIZE	TYPE	SIZE		
1) Storz Rigid	P) 4" (110mm)	1) Storz Rigid	P) 4" (110mm)	0) NO PRV	M) NHM
2) Storz Swivel	R) 4.5" (114mm)	2) Storz Swivel	R) 4.5" (114mm)	1) PRV	F) NHF
3) Female Rocker Lug Full Time Swivel	T) 5" (127mm)	7) Male Rigid	T) 5" (127mm)		
5) Female Long Handle Swivel	X) 6" (152mm)		X) 6" (152mm)		

OASIS™ HYDRANT ASSIST

TFT's Oasis Hydrant Assist Valve is a versatile valve that can be used as a hydrant booster, as a gated wye, or for inline pumping during relay operations. In hydrant boosting operation, the valve is first connected to the hydrant and to the intake supply line on the first pumper. Inlet and outlet supply lines on a boost pumper are then connected to the valve to draw water directly from the hydrant connection and increase pressure/flow to the first pumper. A clapper valve with position indicator provides uninterrupted water flow to the fire when transitioning to boost mode, and in the event of boost pump failure. Two unique valve position indicators tell the operator if the ball and clapper valves are open or closed. Designed for use with 3.5, 4, 4.5, 5 or 6" (89, 100, 115, 125 or 152 mm) hose. Maximum operating pressure is 250 psi (17 bar). Meets 900 psi (62 bar) hydrostatic strength test. The aluminum castings are hard coat anodized inside and out, and TFT powder coat finished on the outside.

Dimensional Maximum
AR*****
\$3210.00
32.7lbs (14.8kg)
13.50" (34.3cm) Height
16.50" (41.9cm) Width
16.00" (40.6cm) Depth

Conversions
 N) 3.5" (89mm)
 P) 4" (102mm)
 R) 4.5" (114mm)
 T) 5" (127mm)
 X) 6" (152mm)



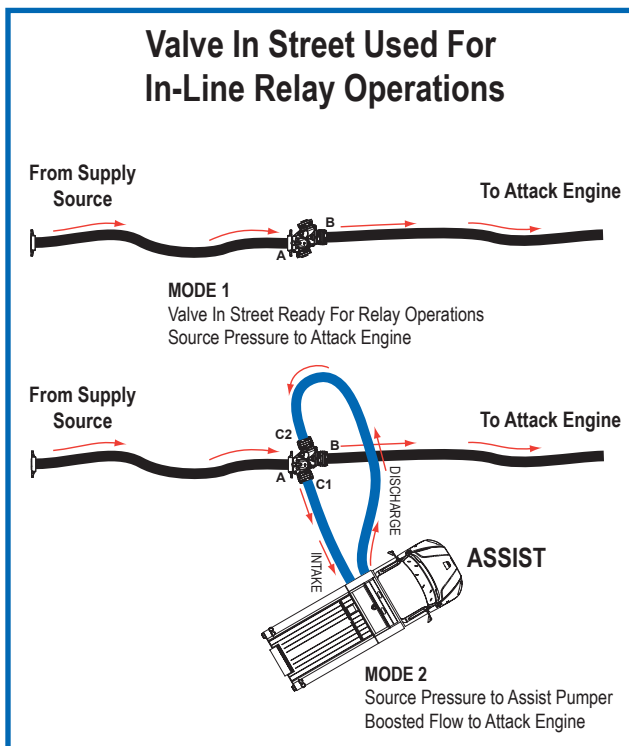
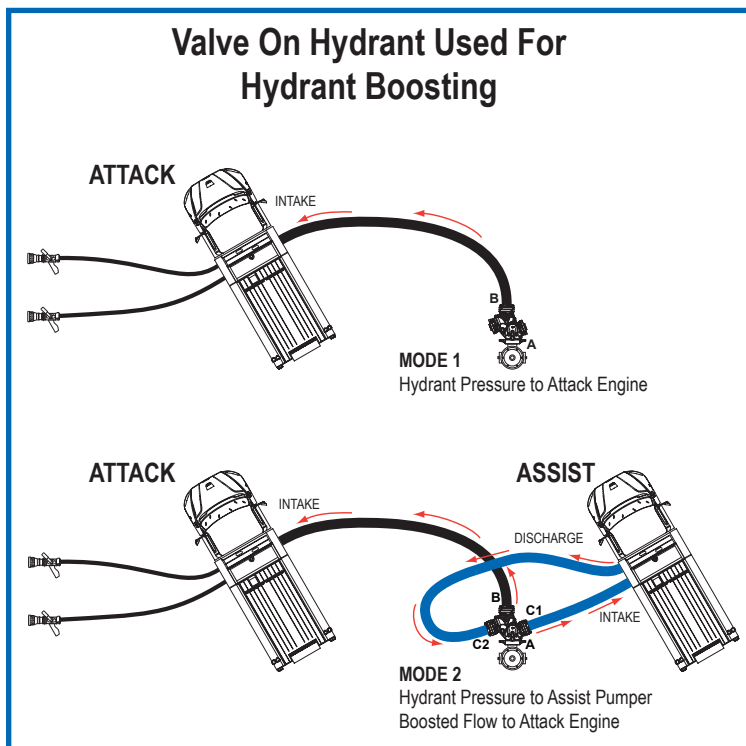
AR-BRACKET
\$275.00
5.5 lbs. (2.5kg)

	SIDE A	SIDE A INLET FROM HYDRANT	SIDE B OUTLET TO ATTACK	SIDE C1 OUTLET TO BOOST	SIDE C2 BOOSTED INLET			
Shut Off								
AR) No	Style	Size	Style	Size	Style	Size	Style	Size
ARS) Yes	1) Storz Rigid	N) 3.5"	1) Storz Rigid	N) 3.5"	1) Storz Rigid	N) 3.5"	1) Storz Rigid	N) 3.5"
	2) Storz Swivel	P) 4"	2) Storz Swivel	P) 4"	2) Storz Swivel	P) 4"	2) Storz Swivel	P) 4"
	3) F Rocker Lug Swivel	R) 4.5"	3) F Rocker Lug Swivel	R) 4.5"	3) F Rocker Lug Swivel	R) 4.5"	3) F Rocker Lug Swivel	R) 4.5"
	5) F Long Handle Swivel	T) 5"	5) F Long Handle Swivel	T) 5"	5) F Long Handle Swivel	T) 5"	5) F Long Handle Swivel	T) 5"
	7) M Rigid	X) 6"	7) M Rigid	X) 6"	7) M Rigid	X) 6"	7) M Rigid	X) 6"

F = Female M = Male

To change a 4" or 5" (110 or 127mm) Storz from rigid to full time swivel, back out the lockout screw until the coupling moves freely. See page 212 for diagram.

USER CONFIGURATION FOR FULL SHUT-OFF OF HYDRANT IF AVAILABLE



Boost Water Supply

The Oasis is the perfect choice for dramatic water supply improvements when used with poorly performing hydrants, long rural water delivery relays, or small diameter hose operations.

Water to the Fire

Automatic clapper valve allows transfer from boosted to non-boosted without operator intervention.

Water from Discharge of Boost Apparatus

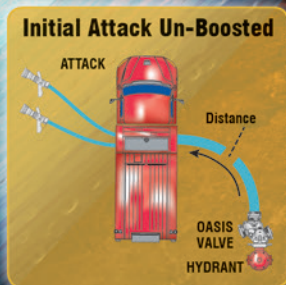
Oasis Hydrant Assist Valve

More info at TFT.com/oasis

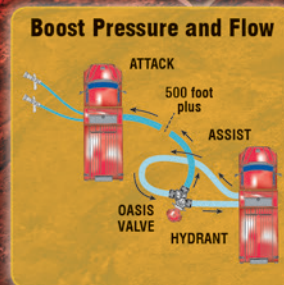
Water Supply Inlet

Oasis can be used as a hydrant shutoff valve with a simple field modification.

Water to Inlet of Boost Apparatus



Deliver water to attack apparatus at the fire scene.



Boost pressure and flow from the hydrant to attack apparatus.



Boost pressure and flow with a hose lay of 500 feet plus.

TFT.com



TASK FORCE TIPS®
FIRE FIGHTING EQUIPMENT

IN-LINE VALVE MOBILE/LOOSE or APPARATUS/FIXED

TFT's In-Line Valve is a multi-purpose valve designed for use with 3.5, 4, 4.5 or 5" (89, 100, 115, 125 or 150mm) hose. Maximum operating pressure is 300 psi (20 bar). Meets 900 psi (62 bar) hydrostatic strength test. The aluminum casting are Hard coat anodized, and Powder Coat finished inside and out for maximum corrosion protection. The valve meets NFPA slow close requirements. Optional adjustable pressure relief valve meets NFPA 1901. Optional rugged .75" (19mm) air bleed valve quickly bleeds air from the lines or drains water from the valve housing. Contact TFT customer service for configurations not shown.

Full time swiveling inlet design makes these models ideal for use on the ground for water supply operations when the valve may need to be rotated easily after tightening.

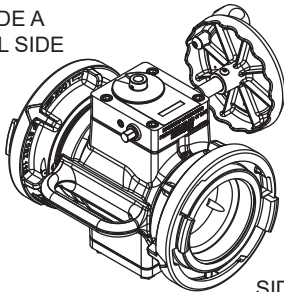
Side A Choices: 1, 2, 3, 5 or 7

Non-full time swivel inlet design makes these models ideal for use on apparatus or fixed systems when the valve needs to retain its position after tightening.

Side A Choices: 4 or 6

Dimensional Maximum
AN2P2P01
\$2090.00
17.35 lbs (7.8kg)
9.20" (23.4cm) Height
8.60" (21.8cm) Width
10.10" (25.7cm) Depth

SIDE A
SEAL SIDE



SIDE B

IN-LINE VALVE WITH STANDARD GEARBOX

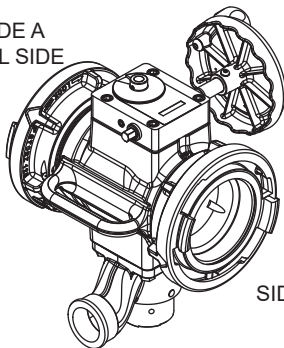
SIDE A		SIDE B	
AN			01
Side A Type	Size	Side B Type	Size
1) Storz Rigid	P) 4" (100mm)	1) Storz Rigid	P) 4" (100mm)
2) Storz Swivel	R) 4.5" (114mm)	2) Storz Swivel	R) 4.5" (114mm)
3) F Rocker Lug Swivel	T) 5"(127mm)	3) F Rocker Lug Swivel	T) 5"(127mm)
4) F Rocker Lug		5) F Long Handle Swivel	
Non-Full Time Swivel		7) Male Rigid	
5) F Long Handle Swivel			
6) F Long Handle			
Non-Full Time Swivel			
7) Male Rigid			

F = Female

To change a 4" or 5" (110 or 127mm) Storz from rigid to full time swivel, back out the lockout screw until the coupling moves freely. See page 212 for diagram

Dimensional Maximum
AN2T2T31
\$2350.00
21.85 lbs (9.9kg)
15.60" (23.4cm) Height
8.60" (21.8cm) Width
10.10" (25.7cm) Depth

SIDE A
SEAL SIDE



SIDE B

IN-LINE VALVE WITH STANDARD GEARBOX, PRV & DRAIN

SIDE A		SIDE B	
AN			31
Side A Type	Size	Side B Type	Size
1) Storz Rigid	P) 4" (100mm)	1) Storz Rigid	P) 4" (100mm)
2) Storz Swivel	R) 4.5" (114mm)	2) Storz Swivel	R) 4.5" (114mm)
3) F Rocker Lug Swivel	T) 5"(127mm)	3) F Rocker Lug Swivel	T) 5"(127mm)
4) Female Rocker Lug		5) F Long Handle Swivel	
Non-Full Time Swivel		7) Male Rigid	
5) F Long Handle Swivel			
6) F Long Handle			
Non-Full Time Swivel			
7) Male Rigid			

F = Female

To change a 4" or 5" (110 or 127mm) Storz from rigid to full time swivel, back out the lockout screw until the coupling moves freely. See page 212 for diagram

Suction Screen information is located on page 209, under LDH service kits.

IN-LINE VALVE MOBILE/LOOSE or APPARATUS/FIXED

TFT's In-Line Valve is a multi-purpose valve designed for use with 3.5, 4, 4.5 or 5" (89, 100, 115, 125 or 150mm) hose. Maximum operating pressure is 300 psi (20 bar). Meets 900 psi (62 bar) hydrostatic strength test. The aluminum casting are Hard coat anodized, and Powder Coat finished inside and out for maximum corrosion protection. The valve meets NFPA slow close requirements. Optional adjustable pressure relief valve meets NFPA 1901. Optional rugged .75" (19mm) air bleed valve quickly bleeds air from the lines or drains water from the valve housing. Contact TFT customer service for configurations not shown.

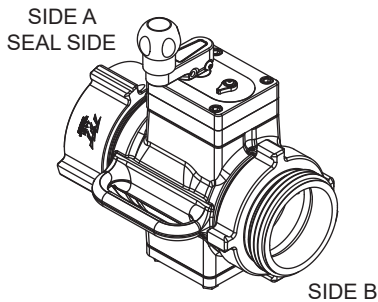
Full time swiveling inlet design makes these models ideal for use on the ground for water supply operations when the valve may need to be rotated easily after tightening.

Side A Choices: 1, 2, 3, 5 or 7

Non-full time swivel inlet design makes these models ideal for use on apparatus or fixed systems when the valve needs to retain its position after tightening.

Side A Choices: 4 or 6

Dimensional Maximum
AN4P7P02
\$2195.00
23.0 lbs (9.2kg)
13.80" (23.4cm) Height
8.60" (21.8cm) Width
10.10" (25.7cm) Depth



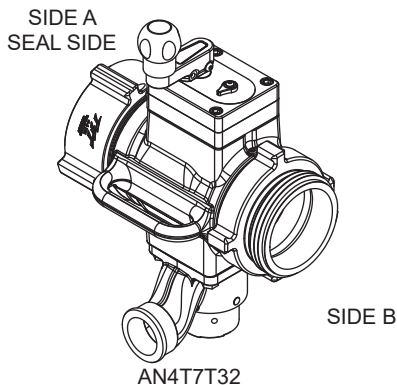
IN-LINE VALVE WITH PARALLEL SHAFT DRIVE GEARBOX

SIDE A		SIDE B	
Side A Type	Size	Side B Type	Size
1) Storz Rigid	P) 4" (100mm)	1) Storz Rigid	P) 4" (100mm)
2) Storz Swivel	R) 4.5" (114mm)	2) Storz Swivel	R) 4.5" (114mm)
3) F Rocker Lug Swivel	T) 5"(127mm)	3) F Rocker Lug Swivel	T) 5"(127mm)
4) F Rocker Lug		5) F Long Handle Swivel	
Non-Full Time Swivel		7) Male Rigid	
5) F Long Handle Swivel			
6) F Long Handle			
Non-Full Time Swivel			
7) Male Rigid			

F = Female

To change a 4" or 5" (110 or 127mm) Storz from rigid to full time swivel, back out the lockout screw until the coupling moves freely. See page 212 for diagram

Dimensional Maximum
AN**32**
\$2455.00
23.35 lbs (10.6kg)
17.60" (23.4cm) Height
8.60" (21.8cm) Width
10.10" (25.7cm) Depth



IN-LINE VALVE WITH PARALLEL SHAFT DRIVE GEARBOX, PRV & DRAIN

SIDE A		SIDE B	
Side A Type	Size	Side B Type	Size
1) Storz Rigid	P) 4" (100mm)	1) Storz Rigid	P) 4" (100mm)
2) Storz Swivel	R) 4.5" (114mm)	2) Storz Swivel	R) 4.5" (114mm)
3) F Rocker Lug Swivel	T) 5"(127mm)	3) F Rocker Lug Swivel	T) 5"(127mm)
4) F Rocker Lug		5) F Long Handle Swivel	
Non-Full Time Swivel		7) Male Rigid	
5) F Long Handle Swivel			
6) F Long Handle			
Non-Full Time Swivel			
7) Male Rigid			

F = Female

To change a 4" or 5" (110 or 127mm) Storz from rigid to full time swivel, back out the lockout screw until the coupling moves freely. See page 212 for diagram

Suction Screen information is located on page 209, under LDH service kits.

HARD SUCTION STRAINER

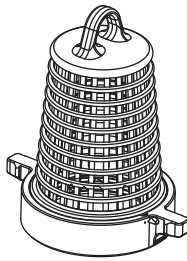
JUMBO BARREL STRAINER - Heavy duty barrel strainer gives maximum flow capability. The impact resistant polymer won't dent when dropped and won't corrode even in contaminated water. The wavy straining pattern resists debris sucking flat against the holes. 240 holes total 48 square inches of flow area. An oversize loop makes tying off the strainer easy. The coupling is made from hard anodized aluminum and rotates easily on a polymer bearing ring.

DIMENSIONAL MAXIMUM

\$200.00

6" (152mm)
4.0 lb (1.8kg)
12.00" (305.0mm) Length
8" (203mm) Diameter

* Coupling = SP = **\$335.00**



Coupling

A02		
NJ	2.5" NH (65mm) Swivel Female Rocker Lug	-Y) Barrell Color Yellow (omit for standard Black)
NP	4.0" NH (100mm) Swivel Female Rocker Lug	
HNT	5.0" NH (127mm) Swivel Female Long Handle	
HNX	6.0" NH (152mm) Swivel Female Long Handle	
SP	4.0" (110mm) Storz*	

LOW-LEVEL STRAINER

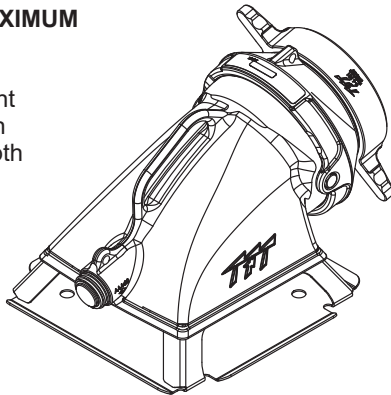
High volume low-level strainer is made of hard anodized and powder-coated aluminum. Clog-resistant stainless steel filter has over twice as much flow area as a 6" (152mm) hose. This keeps friction loss down to 0.5 psi (0.03 bar) at 1500 gpm (5678 l/min) and reduces the potential for air vortexes to form as water sinks towards the 2.5" (65mm) minimum usable depth. Oversized sealed ball pivot allows 45° range of hose angle without constricting the flow path. Optional Jet Siphon with 1.5" (38mm) female hose thread substantially increases suction lift capability and is also useful for tank transfer, pump priming and dewatering with no need for a trash pump. Jet Siphon has 1.5" (38mm) female hose threaded coupling that pivots freely in any direction to avoid hose kinks.

LOW-LEVEL STRAINER - NO JET SIPHON

DIMENSIONAL MAXIMUM

\$1045.00

24.1 lb (10.9kg)
12.1" (30.7cm) height
14.9" (37.8cm) width
21.50" (54.6cm) depth



Coupling

Optional

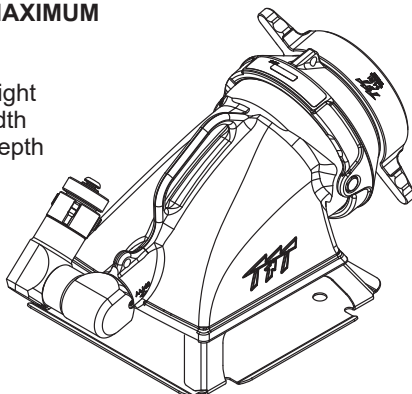
A03		
NP	4.0" (100mm) Swivel Female Rocker Lug	-F) Floating (omit for non-floating)
HNR	4.5" (114mm) Swivel Female Long Handle	
HNT	5.0" (127mm) Swivel Female Long Handle	
HNX	6.0" (152mm) NH Swivel Female Long Handle	
SP	4.0" (100mm) Storz	
ST	5.0" (127mm) Storz	
SX	6.0" (152mm) Storz	

LOW-LEVEL STRAINER - JET SIPHON - 1.5" NH (38mm) Female Pivoting Inlet

DIMENSIONAL MAXIMUM

\$1180.00

26.2 lb (11.9kg)
12.1" (30.7cm) height
14.9" (37.8cm) width
23.50" (59.7cm) depth



Coupling

Optional

A03		-JET	
NP	4.0" (100mm) Swivel Female Rocker Lug		-F) Floating (omit for non-floating)
HNR	4.5" (114mm) Swivel Female Rocker Lug		
HNT	5.0" (127mm) Swivel Female Long Handle		
HNX	6.0" NH (152mm) Swivel Female Long Handle		
SP	4.0" (100mm) Storz		
ST	5.0" (127mm) Storz		
SX	6.0" (152mm) Storz		

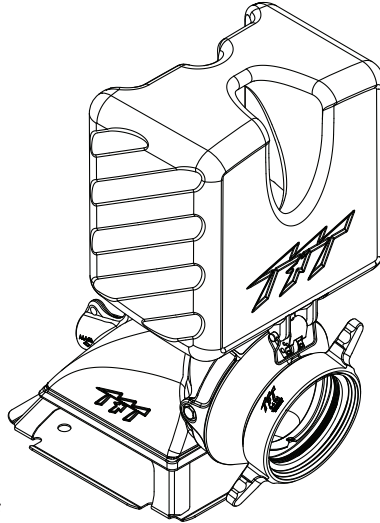
FLOATING LOW LEVEL STRAINER NO JET SIPHON

Flotation device allows TFT high volume low-level strainer to collect clean water from ponds, lakes and rivers. The strainer inlet, made of hard anodized and powder-coated aluminum, hangs 18" (457mm) below water level to avoid sucking surface air and bottom debris. Capable of supporting up to 30 ft (9m) of hose, the strainer extends well beyond safety ledges of residential ponds. The clog-resistant stainless steel filter has over twice as much flow area as a 6" (152mm) hose. This keeps friction loss down to 0.5 psi (0.03 bar) at 1500 gpm (5678 l/min) and reduces the potential for air vortexes to form. Oversized sealed ball pivot allows 45° range of hose angle without constricting the flow path. Rugged polyethylene float is yellow for high visibility and nests compactly over the strainer for minimal storage space. Float removal is not necessary for low level use, although a tethered latching hinge pin allows the float to be removed or installed instantly if desired.

DIMENSIONAL MAXIMUM

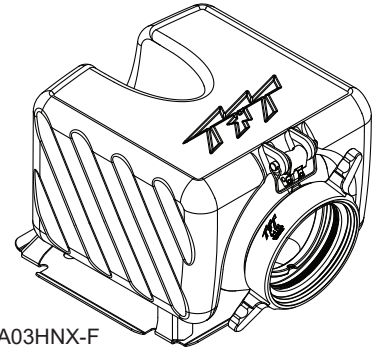
\$1045.00

29.9 lb (13.6kg)
13.3" (33.8cm) height
15.0" (38.1cm) width
21.50" (54.6cm) depth



A03HNX-F

Shown with 6" (152mm) threaded coupling and float in operational position.



A03HNX-F

Shown with 6" (152mm) threaded coupling and float in storage position.

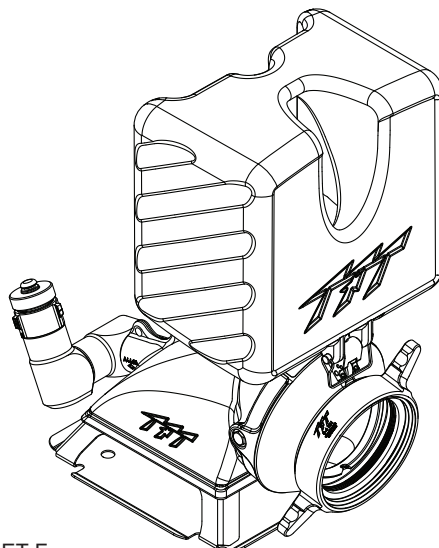
FLOATING LOW LEVEL STRAINER JET SIPHON

Flotation device allows TFT high volume low-level strainer to collect clean water from ponds, lakes and rivers. The strainer inlet, made of hard anodized and powder-coated aluminum, hangs 18" (457mm) below water level to avoid sucking surface air and bottom debris. Capable of supporting up to 30 ft (9m) of hose, the strainer extends well beyond safety ledges of residential ponds. The clog-resistant stainless steel filter has over twice as much flow area as a 6" hose. This keeps friction loss down to 0.5 psi (0.03 bar) at 1500 gpm (5678 l/min) and reduces the potential for air vortexes to form. Oversized sealed ball pivot allows 45° range of hose angle without constricting the flow path. Jet Siphon substantially increases suction lift capability and is also useful for tank shuttle, pump priming and dewatering with no need for a trash pump. Jet Siphon has 1.5" (38mm) female hose threaded coupling that pivots freely in any direction to avoid hose kinks. Rugged polyethylene float is yellow for high visibility and nests compactly over the strainer for minimal storage space. Float removal is not necessary for low level use, although a tethered latching hinge pin allows the float to be removed or installed instantly if desired.

DIMENSIONAL MAXIMUM

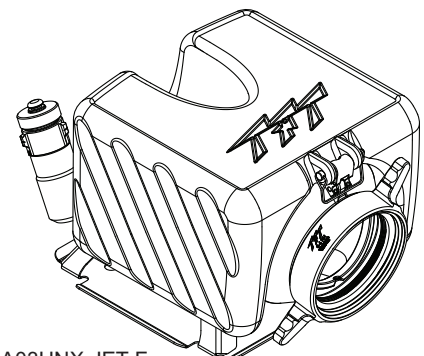
\$1180.00

32.0 lb (14.5kg)
13.3" (33.8cm) height
15.0" (38.1cm) width
23.50" (59.7cm) depth



A03HNX-JET-F

Shown with 6" (152mm) threaded coupling and float in operational position.



A03HNX-JET-F

Shown with 6" (152mm) threaded coupling and float in storage position.

BLUE Category - OEM Installed Products

The BLUE category includes apparatus manufacturer installed products that typically require plumbing and electrical installation, or are related items. This category includes manual and master stream nozzles, Extend-A-Guns, manual and remote control monitors, remote control intake and in-line valves and accessories.

PRESSURE RELIEF VALVES

PRV's..... 125

ELECTRIC REMOTE NOZZLES

ER Nozzles..... 126-127

MAX Series..... 128

MASTER STREAM NOZZLES

Master Stream Series..... 129-135

VORTEX

Vortex 2 and 2 ER 136

EXTEND-A-GUNS

Extend-A-Gun..... 137

Extend-A-Gun RC..... 138-139

MONITORS

EF1 RC..... 140-142

Tornado Series 143-147

Hurricane Series..... 148-151

Typhoon Series..... 152-155

Monsoon Series..... 156-163

Tsunami Series 164-167

VALVE KITS

Valve and Gateable Valve Kits 168-169

REMOTE CONTROL ACCESSORIES

Remote Control Accessories 170-173

EXTEND-A-GUN PACKAGES

Crossfire and Hurricane Packages..... 174-177

VALVE UNDER MONITOR

VUM Series 178-185

BIV REMOTE CONTROL

RC BIV Series 186-191

PRESSURE RELIEF VALVES

A18 Series - TFT's PRV (pressure relief valve) operates in an adjustment range from 90 to 300 psi (6 to 21 bar) with easy to see increments of 90, 125, 150, 200, 250, and 300 psi (6, 8, 10, 14, 17 and 21 bar). Each pressure relief valve includes an OFF position. The pressure relief valve is NFPA 1901 compliant. The aluminum casting is hard coat anodized, and TFT-powder coat finished inside and out for maximum corrosion protection. For direct use on pump flanges, the TFT pressure relief valve works with Darley, Waterous, or Hale bolt hole patterns. Relief valves are available with 2" (51mm) male pipe thread, 2.5" male NH (64mm) thread, or 2.5" (64mm) Victaulic® connection on the discharge spout. Available adapters include 2.5" (65mm) and 3" (76mm) NPT male and female threaded inlets for mounting the TFT pressure relief valve to plumbing. Add 1.5" (38mm) to depth for models A1850 and A1860.

A18**

\$315.00

3.0 lb (1.4kg)

4.50" (11.4cm) Height

4.50" (11.4cm) Width

6.50" (16.5cm) Depth

A18**

\$455.00

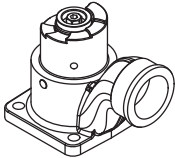
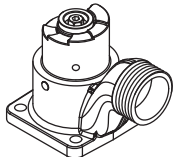
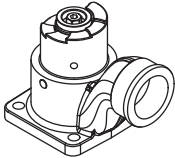
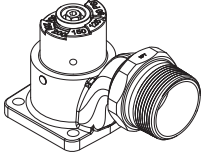
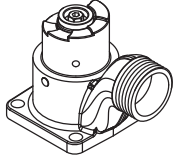
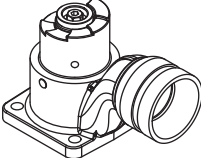
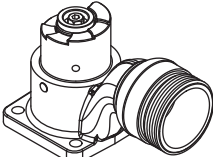
4.4 lb (2.0kg)

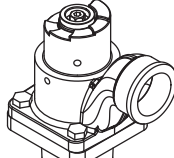
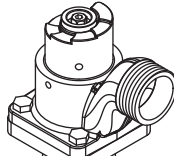
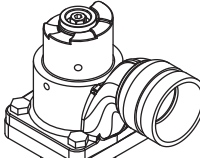
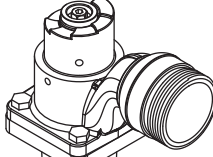
4.50" (11.4cm) Height

4.50" (11.4cm) Width

8.00" (20.3cm) Depth

WITH PIPE THREADED INLET

Model	Part Number	Discharge
 Waterous/Hale (TFT Standard)	A1810	Plain
 Waterous/Hale	A1820	2" (51mm) Male Pipe (NPT)
 Darley	A1830	Plain
 Waterous/Hale (TFT Standard)	A1831	2.5" (64mm) NPTM Outlet
 Darley	A1840	2" (51mm) Male Pipe (NPT)
 Waterous/Hale	A1850	2.5" (64mm) Victaulic Connection
 Waterous/Hale	A1860	2.5" (64mm) NH Male

Discharge	National Pipe Thread Inlet			
	2.5" (64mm) Male Pipe	2.5" (64mm) Female Pipe	3.0" (76mm) Male Pipe	3.0" (76mm) Female Pipe
 Plain	A1811	A1812	A1813	A1814
 2.0" (51mm) NPT Male	A1821	A1822	A1823	A1824
 2.5" (65mm) Victaulic	A1856	A1857	A1858	A1859
 2.5" (65mm) NH Male	A1866	A1867	A1868	A1869

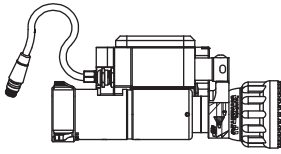
ER ELECTRIC REMOTE NOZZLES

Electrically operated pattern control for use on remote applications. The rugged, aluminum drive is totally enclosed and waterproof. The 12 to 24 volt drive unit draws 3 amps. There is a manual override if the electrical power fails. Water pattern adjusts from straight stream to a 120° wide fog. The nozzle can flush 3/8" (1cm) debris without shutting down. Nozzle and actuator are hard coat anodized aluminum for maximum resistance to corrosion and wear. Tip does not shut off.

When ordering a nozzle for use on TFT RC monitors, order plug version (ERP). ERP versions are equipped with SMART STREAM technology. This technology utilizes a position encoder in the nozzle actuator to give the user greater control of the stream pattern, especially at FOG position. Nozzles equipped with a FLUSH position are programmed to stop and pause at full FOG position when moving towards the FLUSH position, preventing unwanted water flow. A second press of the button will cause the nozzle shaper to continue to move to flush position for removing debris from nozzle. Delivered with a waterproof plug connection for seamless integration with TFT's Tornado and EF1 RC monitors.

ULTIMATIC™ 10-125 GPM (40-500 l/min) Automatic

B-TO-ERP
BL-TO-ERP
B-TO-ER
B-TO-ERP-120
B-TO-ERP-150
\$1185.00
6.4 lb (2.9kg)
10.25" (26.0cm)



B-TO-ERP ULTIMATIC ELECTRIC REMOTE TIP 1.5" NH (38mm) - Automatic pressure control with a flow capacity of 10-125 gpm (40-500 l/min). The nozzle operates at a standard 100 psi (7 bar). Includes flush without shutting down, molded rubber teeth for full-fill "power fog" pattern. Accepts both FJ-U FOAMJET low-expansion and FJ-UMX FOAMJET multi-expansion foam attachments. 1.5" NH (38mm) swivel coupling is standard. For use on TFT Tornado and EF1 RC monitor only.

BL-TO-ERP - same as above except 10-100 gpm @ 75psi. (40-380 l/min @ 5 bar)

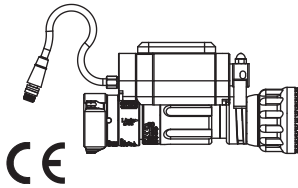
B-TO-ER* same as above except with 6 ft (2m) of non-terminated remote wire for custom installations. Does not have SMART STREAM technology.

B-TO-ERP-120 - same as above except 10-100 gpm @ 120psi. (40-380 l/min @ 8 bar)

B-TO-ERP-150 - same as above except 10-100 gpm @ 150psi. (40-380 l/min @ 10 bar)

ULTIMATIC™ 15-120 GPM (50-450 l/min) Selectable

B-TOS-ERP
B-TOS-ER
\$1185.00
6.0 lb (2.7kg)
9.90" (25.1cm)

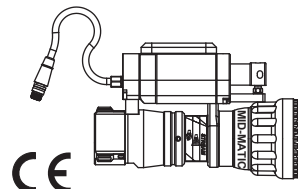


B-TOS-ERP SELECTABLE ELECTRIC REMOTE TIP 1.5" NH (38mm) - Selectable gallonage nozzle is infinitely adjustable between 15 and 120 gpm @ 100 psi (50-450 l/min at 7 bar). Indexed flow settings are provided at 15 gpm and 50 l/min increments. Flow setting may be adjusted without shutting down or locked to a specific setting as desired. Includes flush without shutting down and molded rubber teeth for full-fill "power fog" pattern. Lightweight hard coat anodized aluminum for maximum resistance to corrosion and wear. Accepts both FJ-U FOAMJET low-expansion and FJ-UMX FOAMJET multi-expansion foam attachments. 1.5" NH (38mm) swivel coupling is standard. For use on TFT Tornado and EF1 RC monitor only.

B-TOS-ER* same as above except with 6 ft (2m) of non-terminated remote wire for custom installations. Does not have SMART STREAM technology.

MID-MATIC™ 70 - 200 GPM (260-760 l/min) Automatic

HM-TO-ERP
HM-TO-ER
\$1690.00
6.5 lbs (2.9kg)
9.50" (24.0cm)

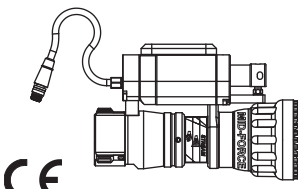


HM-TO-ERP 100 PSI (7 bar) MID-MATIC ELECTRIC REMOTE TIP 1.5" NH (38mm) - Automatic pressure control with a flow capacity of 70-200 gpm (260-760 l/min). The nozzle operates at a standard 100 psi (7 bar). Includes flush without shutting down, molded rubber teeth for full-fill "power fog" pattern. 1.5" NH (38mm) rigid rocker lug coupling is standard. For use on TFT Tornado and EF1 RC monitor only.

HM-TO-ER* same as above except with 6 ft (2m) of non-terminated remote wire for custom installations. Does not have SMART STREAM technology.

MID-FORCE™ 70 - 200 GPM (260-760 l/min) Dual Pressure Automatic

HMD-TO-ERP
HMD-TO-ER
\$1690.00
6.5 lbs (2.9kg)
9.50" (24.0cm)

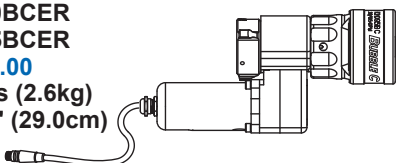


HMD-TO-ERP 100 PSI (7 bar) MID-FORCE ELECTRIC REMOTE TIP 1.5" NH (38mm) - Automatic dual-pressure control with a flow capacity of 70-200 gpm (260-760 l/min). Nozzle may be switched from 100 psi (7bar) to low pressure. Includes flush without shutting down, molded rubber teeth for full-fill "power fog" pattern. 1.5" NH (38mm) rigid rocker lug coupling is standard. For use on TFT Tornado and EF1 RC monitor only.

HMD-TO-ER* same as above except with 6 ft (2m) of non-terminated remote wire for custom installations. Does not have SMART STREAM technology.

BUBBLE CUP™ Dual Gallonage

F2060BCER
F2095BCER
\$1160.00
5.7 lbs (2.6kg)
11.40" (29.0cm)

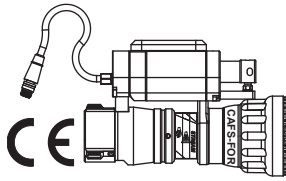


F2060BCER The Electric Remote Bubble Cup is our most compact ER nozzle, designed specifically for use with the EF1 monitor. Integrated shut-off in the nozzle and unique stream control dual flow design allows quick changes between off, low flow straight stream, low flow partial fog, high flow straight stream, and high flow wide fog by simply operating the fog/straight stream function on the controller. The 20 and 60 gpm at 100 psi (75 and 230 l/min at 7 bar) dual flow and integrated retractable Bubble Cup aspirating sleeve, allows quick and easy configuration for foam aspiration. For use on TFT EF1 RC monitor only.

F2095BCER same as above except 20 and 95 gpm (75 and 360 l/min) dual flow configuration. For use on TFT EF1 RC monitor only.

CAFS-FORCE™ 1 Automatic

HMDC-TO-ERP
HMDC-TO-ER
\$1690.00
6.5 lbs (2.9kg)
9.50" (24.0cm)



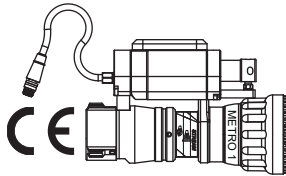
HMDC-TO-ERP 75 PSI (5 bar) CAFS-FORCE 1 ELECTRIC REMOTE TIP 1.5" NH (38mm) - Automatic pressure control. The CAFS-Force tip features an automatic dual-pressure control with a water flow capacity of 70-200 gpm (264-757 l/min) that may be switched from standard low pressure (water application) to CAFS mode. The nozzle operates at a standard 75 psi (5 bar). Includes flush without shutting down, molded rubber teeth for full-fill "power fog" pattern. 1.5" NH (38mm) rigid rocker lug coupling is standard. For use on TFT Tornado and EF1 RC monitors only.

Models with * are designed for application on monitors manufactured by others. This is a two wire connection, non terminated, without SMART STREAM technology.

HMDC-TO-ER* same as above except with 6 ft (2m) of non-terminated remote wire for custom installations. Does not have SMART STREAM technology.

METRO 1™

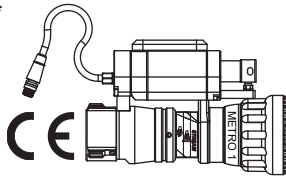
ME1TOERP***
ME1TOE***
\$1655.00
6.5 lbs (2.9kg)
9.50" (24.0cm)



ME1TOERP*** - ELECTRIC REMOTE TIP 1.5" NH (38mm) - Fixed flow nozzle at specified flow and pressure. Includes flush without shutting down, and molded rubber fog teeth for full-fill "power fog" pattern. Lightweight hard coat anodized aluminum for maximum resistance to corrosion and wear. For use on TFT Tornado and EF1 RC monitors only.

ME1TOE*** same as above except with 6 ft (2m) of non-terminated remote wire for custom installations. Does not have SMART STREAM technology.

ME1TOSERP***
ME1TOSE***
\$1655.00
6.5 lbs (2.9kg)
9.50" (24.0cm)

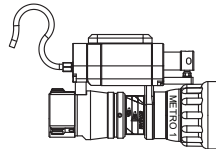


ME1TOSERP*** - ELECTRIC REMOTE TIP 1.5" NH (38mm) - Fixed flow nozzle at specified flow and pressure. Includes flush without shutting down, and stainless steel spinning fog teeth. Lightweight hard coat anodized aluminum for maximum resistance to corrosion and wear. For use on TFT Tornado and EF1 RC monitors only.

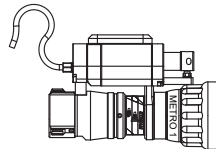
ME1TOE*** same as above except with 6 ft (2m) of non-terminated remote wire for custom installations. Does not have SMART STREAM technology.

METRO 1 ER ONLY — ORDERING MATRIX

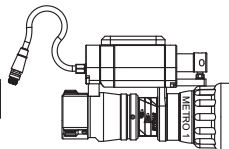
METRO 1 ELECTRIC TIP 1.5"
 M E 1 T O E - A B C



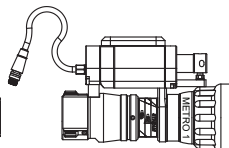
METRO 1 ER NO PLUG 1.5NH SPINNING TEETH
 M E 1 T O S E - A B C



METRO 1 ER W/PLUG 1.5"
 M E 1 T O E R P - A B C



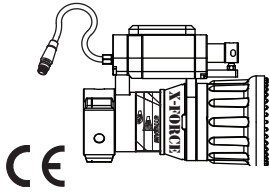
METRO 1 ER W/PLUG 1.5NH SPINNING TEETH
 M E 1 T O S E R P A B C



A	B	C	GPM	PSI	LPM	BAR	K
1	3	4	95	50	360	3	13.4
1	7	7	125	50	473	3	17.7
2	1	2	150	50	568	3	21.2
2	2	6	160	50	606	3	22.6
2	4	7	175	50	662	3	24.7
2	6	2	185	50	700	3	26.2
2	8	3	200	50	757	3	28.3
0	6	9	60	75	227	5	6.9
1	4	4	125	75	473	5	14.4
1	7	3	150	75	568	5	17.3
2	0	2	175	75	662	5	20.2
2	1	4	185	75	700	5	21.4
2	3	1	200	75	757	5	23.1
0	6	0	60	100	227	7	6.0
0	9	5	95	100	360	7	9.5
1	2	5	125	100	473	7	12.5
1	5	0	150	100	568	7	15.0
1	7	5	175	100	662	7	17.5

MAX-FORCE™ 100 - 500 GPM (400-2000 l/min) Dual Pressure Automatic

MD-ERP-12A
MD-ER-12A
\$1975.00
10.2 lbs (4.6kg)
10.00" (26.0cm)

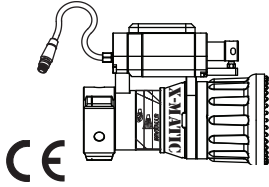


MD-ERP-12A 100 PSI (7bar) MAX-FORCE ELECTRIC REMOTE TIP Automatic dual-pressure control with a flow capacity of 100-500 gpm (400-2000 l/min). The nozzle may be switched between standard 100 psi (7bar) and 55 psi (4bar) by twisting a knob on the front of the nozzle. 2.5" NH (65mm) rigid rocker lug coupling is standard. For use on TFT RC monitors only.

MD-ER-12A - same as MD-ERP-12A except with 6 ft (2m) of non-terminated remote wire for custom installations. Does not have SMART STREAM technology.

MAX-MATIC™ 100 - 500 GPM (400-2000 l/min) Automatic

MD-ERP-18A
MD-ER-18A
\$1925.00
10.0 lbs (4.5kg)
10.00" (26.0cm)

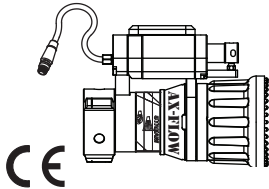


MD-ERP-18A 100 PSI (7bar) MAX-MATIC ELECTRIC REMOTE TIP Automatic pressure control with a flow capacity of 100-500 gpm (400-2000 l/min). The nozzle operates at a standard 100 psi (7bar). 2.5" NH (65mm) rigid rocker lug coupling is standard. For use on TFT RC monitors only.

MD-ER-18A - same as MD-ERP-18A except with 6 ft (2m) of non-terminated remote wire for custom installations. Does not have SMART STREAM technology.

MAX-FLOW™ 500 GPM (2000 l/min) Fixed Gallonage

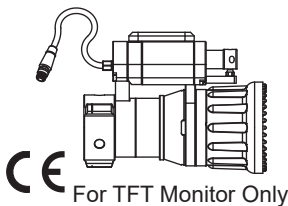
MD-ERP-14A
MD-ER-14A
\$1805.00
10.0 lbs (4.5kg)
10.00" (26.0cm)



MD-ERP-14A 100 PSI (7bar) MAX-FLOW ELECTRIC REMOTE TIP The nozzle will operate with pressures as low as 30 psi (2bar). 2.5" NH (65mm) rigid rocker lug coupling is standard. For use on TFT RC monitors only.

MD-ER-14A - same as MD-ERP-14A except with 6 ft (2m) of non-terminated remote wire for custom installations. Does not have SMART STREAM technology.

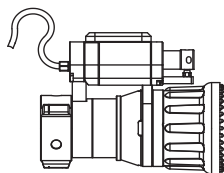
When ordering a nozzle for use on TFT RC monitors, order a plug version (ERP). ERP versions are equipped with SMART STREAM technology. This technology utilizes a position encoder in the nozzle actuator to give the user greater control of the stream pattern, especially around FOG position. Delivered with a waterproof plug connection for seamless integration with TFT's Tornado RC, Hurricane RC, Typhoon RC, or Monsoon RC Monitor.



MD-ERP

INLET (Swivel)	PRESSURE FLOW OPTIONS
1) NH FEMALE	2 = Dual Pressure 55/100 PSI (4/7 bar)
2) BSP FEMALE	4 = Fixed Gallonage 500 GPM (2000 l/min)
3) NPSH FEMALE	7 = Automatic Low Pressure 80 PSI (6 bar)
4) SPECIAL THREADS	8 = Automatic 100 PSI (7 bar)

A



MD-ER

INLET (Swivel)	PRESSURE FLOW OPTIONS
1) NH FEMALE	2 = Dual Pressure 55/100 PSI (4/7 bar)
2) BSP FEMALE	4 = Fixed Gallonage 500 GPM (2000 l/min)
3) NPSH FEMALE	7 = Automatic Low Pressure 80 PSI (6 bar)
4) SPECIAL THREADS	8 = Automatic 100 PSI (7 bar)

A

**FoamJet Model for Max-Series
FJ-MX-MD (found on page 50)**

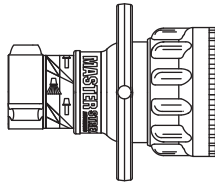
MASTER STREAM 1000 SERIES

150 - 1000 GPM (600 - 3800 l/min)

Fixed, Selectable and Automatic

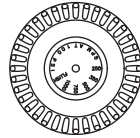
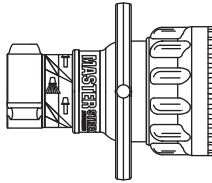
The TFT Master Stream 1000 series gives a clean, far-reaching straight stream. It is adjustable from straight stream to a dense fog pattern. Models are available with either automatic pressure control, five selectable gallonage settings, or a factory ordered fixed orifice. All Master Stream 1000 series nozzles are suitable for use with foam and accept the FJ-LX-M FOAMJET low expansion air aspirating attachment.

M-R1000-NJ (2.5)
M-R1000-NL (3.0)
M-R1000-NN (3.5)
\$1375.00
9.1 lb (4.1kg)
10.00" (25.4cm)



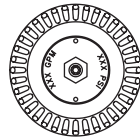
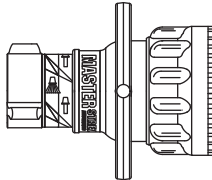
M-R1000-NJ MASTER W/HALO AUTOMATIC 2.5" NH (64mm) - Flow range of 150-1000 gpm (600-3800 l/min). Fully automatic Master Stream nozzle for use on monitors, ladder pipes, deluge guns, and aerial platforms. Constant nozzle pressure regulated to 100 psi (7 bar). Continuously variable from straight stream to wide fog. Includes halo ring for manual pattern control. Rubber bumper incorporates TFT "power fog" teeth for fully-filled, finger-free fog pattern. Lightweight hard coat anodized aluminum for maximum resistance to corrosion and wear. 2.5" NH (64mm) rocker lug swivel coupling is standard. 3.0" NH (75mm) or 3.5" NH (90mm) coupling is optional.

M-RS1000-NJ (2.5)
M-RS1000-NL (3.0)
M-RS1000-NN (3.5)
\$1175.00
9.1 lb (4.1kg)
10.00" (25.4cm)



M-RS1000-NJ MASTER W/HALO SELECTABLE FLOW 2.5" NH (64mm) - Flows of 250, 350, 500, 750, and 1000 gpm at 100 psi (950, 1300, 2000, 3000 and 4000 l/min @ 7 bar). Flow is adjusted by depressing the outer baffle and rotating to the laser engraved position for the desired flow. Nozzle must be shut down to change settings. 2.5" NH (64mm) rocker lug swivel coupling is standard. 3.0" NH (75mm) or 3.5" NH (90mm) coupling is optional.

M-RF1000-NJ (2.5)
M-RF1000-NL (3.0)
M-RF1000-NN (3.5)
\$1175.00
8.3 lb (3.8kg)
10.00" (25.4cm)



M-RF1000-NJ MASTER W/HALO FIXED FLOW 2.5" NH (64mm) - This nozzle, built on the Master Stream body, is a fixed constant flow nozzle. It is factory preset at the customer's specified K-factor 50 to 105 (1000 gpm (4000 l/min) max). 2.5" NH (64mm) rocker lug swivel coupling is standard. 3.0" NH (75mm) or 3.5" NH (90mm) coupling is optional. Flow and pressure are laser engraved on the baffle.

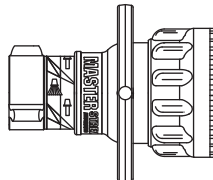
MASTER STREAM 1250S SERIES

150 - 1250 GPM (600 - 4500 l/min) Small Body

Automatic Pressure Control

The TFT Master Stream 1250S series gives a clean, far-reaching straight stream. It is adjustable from straight stream to a dense fog pattern. All Master Stream 1250S series nozzles are suitable for use with foam and accept the FJ-LX-M FOAMJET low expansion air aspirating attachment.

M-R1250S-NJ (2.5)
M-R1250S-NL (3.0)
M-R1250S-NN(3.5)
\$1375.00
9.1 lb (4.1kg)
10.00" (25.4cm)



M-R1250S-NJ MASTER W/HALO AUTOMATIC 2.5" NH (64mm) - Flow range of 150-1250 gpm (600-4500 l/min). Fully automatic Master Stream nozzle for use on monitors, ladder pipes, deluge guns, and aerial platforms. Constant nozzle pressure regulated to 100 psi (7 bar). Continuously variable from straight stream to wide fog. Includes halo ring for manual pattern control. Rubber bumper incorporates TFT "power fog" teeth for fully-filled, finger-free fog pattern. Lightweight hard coat anodized aluminum for maximum resistance to corrosion and wear. 2.5" NH (64mm) rocker lug swivel coupling is standard. 3.0" NH (75mm) or 3.5" NH (90mm) coupling is optional.

**FoamJet Model for Master Stream Series
FJ-LX-M (found on page 50)**

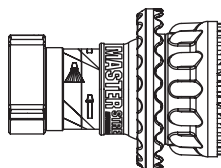
MASTER STREAM 1250 SERIES

300 - 1250 GPM (1100 - 4500 l/min) Large Body

Automatic Pressure Control

The Master Stream 1250 has the ability to produce an excellent hard-hitting stream at any volume from 300 gpm to 1250 gpm (1100 - 4500 l/min). It is adjustable from a straight stream to a dense fog pattern. This nozzle features TFT's exclusive pressure adjustment knob. With a twist of the large knob on the front of the nozzle, operating pressure can be immediately adjusted to tactile detent settings between 70 and 120 psi (4.8 and 8.3 bar). At pressures other than 100 psi, maximum flow is determined by K-factor of 125. Applications include truck mounted deluge devices, aerials, fireboats, industrial applications, or where a flow of 300 - 1250 gpm (1100 - 4500 l/min) is necessary or desired.

M-R1250-NJ (2.5)
M-R1250-NL (3.0)
M-R1250-NN (3.5)
M-R1250-NP (4.0)
\$1715.00
13.6 lb (6.2kg)
12.00" (32.0cm)



M-R1250-NN MASTER STREAM 1250 W/HALO 3.5" NH (90mm) - Automatic high volume Master Stream nozzle with a flow range of 300-1250 gpm (1100 - 4500 l/min). Continuously variable pattern from straight stream to wide fog. Includes halo ring for manual pattern control. Rubber bumper incorporates TFT "power fog" teeth for full finger-free fog pattern. Lightweight hard coat anodized aluminum for maximum resistance to corrosion and wear. Specify coupling size (2.5", 3.0", 3.5", 4.0") (64mm, 75mm, 90mm, 100mm) and threads. 3.5" NH (90mm) rocker lug swivel coupling is standard.

MASTER STREAM 1000 SERIES

150 - 1000 GPM (600 - 3800 l/min)

Fixed, Selectable and Automatic

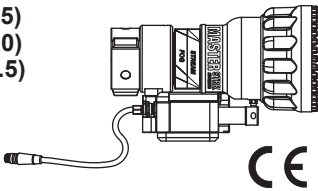
The TFT Master Stream 1000 series gives a clean, far-reaching straight stream. It is adjustable from straight stream to a dense fog pattern. Models are available with either automatic pressure control, five selectable gallonage settings, or a factory ordered fixed orifice. All Master Stream series nozzles are suitable for use with foam and accept the FJ-LX-M FOAMJET low expansion air aspirating attachment.

Electrically operated pattern control for use on remote applications. The rugged, aluminum actuator is totally enclosed and waterproof. The 12 to 24 volt actuator unit develops sufficient force to break loose ice or contaminants and draws just 3 amps. There is a manual override if the electrical power fails. Water pattern adjusts from straight stream to a wide fog. Nozzle and actuator are hard coat anodized aluminum for maximum resistance to corrosion and wear. Tip does not shut off.

When ordering a nozzle for use on TFT RC monitors, order a plug version (ERP). ERP versions are equipped with SMART STREAM technology. This technology utilizes a position encoder in the nozzle actuator to give the user greater control of the stream pattern, especially around FOG position. Delivered with a waterproof plug connection for seamless integration with TFT's Hurricane, Typhoon, or Monsoon RC Monitor.

Models with * are designed for application on monitors manufactured by others. This is a two wire connection, non terminated, without smart stream technology.

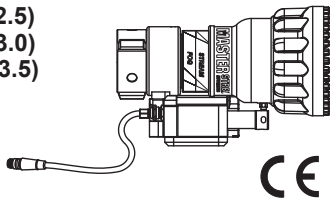
MERFP1000-NJ (2.5)
MERFP1000-NL (3.0)
MERFP1000-NN (3.5)
\$2140.00
13.7 lb (6.2kg)
12.00" (30.5cm)



MERFP1000-NJ MASTER ELECTRIC REMOTE FIXED FLOW 2.5" NH (64mm) - This nozzle, built on the Master Stream body, is a fixed constant flow nozzle. It is factory preset at the customer's specified K-factor 50 to 105 (1000 gpm (4000 l/min) max). 2.5" NH (64mm) rocker lug swivel coupling is standard. 3.0" NH (75mm) or 3.5" NH (90mm) coupling is optional. Flow and pressure are laser engraved on the baffle. For use on TFT RC monitors only.

M-ERF1000-NJ* Same as M-ERP1000-NJ except with 6 ft (2m) of non-terminated remote wire for custom installations. Does not have SMARTSTREAM technology.

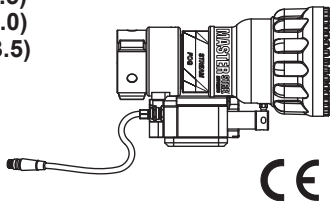
MERSP1000-NJ (2.5)
MERSP1000-NL (3.0)
MERSP1000-NN (3.5)
\$2140.00
13.7 lb (6.2kg)
12.00" (30.5cm)



MERSP1000-NJ MASTER ELECTRIC REMOTE SELECTABLE 2.5" NH (64mm) - Flows of 250, 350, 500, 750, and 1000 gpm at 100 psi (950, 1300, 2000, 3000 and 4000 l/min @ 7 bar). Flow is adjusted by depressing the outer baffle and rotating to the laser engraved position for the desired flow. Nozzle must be shut down to change settings. 2.5" NH (65mm) rocker lug swivel coupling is standard. 3.0" NH (75mm) or 3.5" NH (90mm) coupling is optional. For use on TFT RC monitors only.

M-ERS1000-NJ* Same as M-ERSP1000-NJ except with 6 ft (2m) of non-terminated remote wire for custom installations. Does not have SMARTSTREAM technology.

M-ERP1000-NJ (2.5)
M-ERP1000-NL (3.0)
M-ERP1000-NN (3.5)
\$2140.00
13.7 lb (6.2kg)
12.00" (30.5cm)



M-ERP1000-NJ MASTER ELECTRIC REMOTE AUTOMATIC 2.5" NH (64mm) - The M-ERP1000 has a flow capacity on 150-1000 gpm (600-3800 l/min). 2.5" (64mm) NH rocker lug swivel coupling is standard. 3.0" NH (75mm) or 3.5" NH (90mm) coupling is optional. For use on TFT RC monitors only.

M-ER1000-NJ* Same as M-ERP1000-NJ except with 6 ft (2m) of non-terminated remote wire for custom installations. Does not have SMARTSTREAM technology.

MASTER STREAM 1250S SERIES

150 - 1250 GPM (600 - 4800 l/min) Small Body

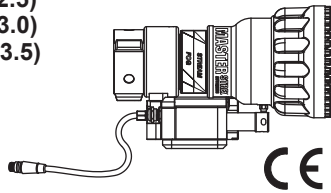
Automatic

The TFT Master Stream 1250S series gives a clean, far-reaching straight stream. It is adjustable from straight stream to a dense fog pattern. Master Stream 1250S series nozzles are suitable for use with foam and accept the FJ-LX-M FOAMJET low expansion air aspirating attachment.

Electrically operated pattern control for use on remote applications. The rugged, aluminum actuator is totally enclosed and waterproof. The 12 to 24 volt actuator unit develops sufficient force to break loose ice or contaminants and draws just 3 amps. There is a manual override if the electrical power fails. Water pattern adjusts from straight stream to a wide fog. Nozzle and actuator are hard coat anodized aluminum for maximum resistance to corrosion and wear. Tip does not shut off.

When ordering a nozzle for use on TFT RC monitors, order a plug version (ERP). ERP versions are equipped with SMART STREAM technology. This technology utilizes a position encoder in the nozzle actuator to give the user greater control of the stream pattern, especially around FOG position. Delivered with a waterproof plug connection for seamless integration with TFT's Hurricane, Typhoon, or Monsoon RC Monitor.

M-ERP1250SNJ (2.5)
M-ERP1250SNL (3.0)
M-ERP1250SNN (3.5)
\$2140.00
13.7 lb (6.2kg)
12.00" (30.5cm)



M-ERP1250SNJ MASTER ELECTRIC REMOTE AUTOMATIC 2.5" NH (65mm) - The M-ERP1250S has a flow capacity on 150-1250 gpm (600-4800 l/min). 2.5" (65mm) NH rocker lug swivel coupling is standard. 3.0" NH (75mm) or 3.5" NH (90mm) coupling is optional. For use on TFT RC monitors only.

M-ER1250S-NJ* Same as M-ERP1250S-NJ except with 6 ft of non-terminated remote wire for custom installations. Does not have SMARTSTREAM technology.

MASTER STREAM 1250 ELECTRIC REMOTE

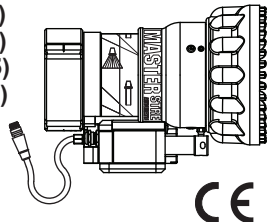
300 - 1250 GPM (1100 - 4800 l/min) Large Body

Automatic

Electrically operated pattern control for use on remote applications. The rugged, aluminum actuator is totally enclosed and waterproof. The 12 to 24 volt actuator unit develops sufficient force to break loose ice or contaminants and draws just 3 amps. There is a manual override if the electrical power fails. Water pattern adjusts from straight stream to a wide fog. Nozzle and actuator are hard coat anodized aluminum for maximum resistance to corrosion and wear. Tip does not shut off.

When ordering a nozzle for use on TFT RC monitors, order a plug version (ERP). ERP versions are equipped with SMART STREAM technology. This technology utilizes a position encoder in the nozzle actuator to give the user greater control of the stream pattern, especially around FOG position. Delivered with a waterproof plug connection for seamless integration with TFT's Hurricane, Typhoon, or Monsoon RC Monitor.

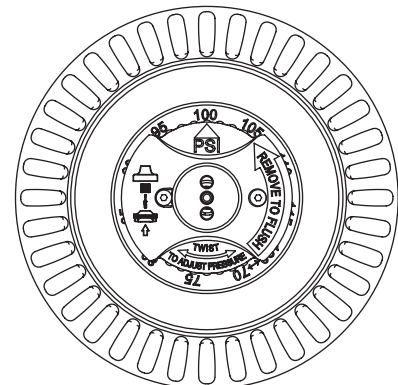
M-ERP1250-NJ (2.5)
M-ERP1250-NL (3.0)
M-ERP1250-NN (3.5)
M-ERP1250-NP (4.0)
\$2250.00
16.8 lb (7.6kg)
12.00" (32.0cm)



M-ERP1250-NN MASTER STREAM 1250 ELECTRIC REMOTE 3.5" NH (90mm) - The M-ERP1250-NN has a flow capacity of 300-1250 gpm (1100 - 4800 l/min). With a twist of the large knob on the front of the nozzle, operating pressure can be immediately adjusted to tactile detent settings between 70 and 120 psi (4.8 and 8.3 bar). Specify coupling size (2.5", 3.0", 3.5", 4.0") (65mm, 75mm, 90mm, 100mm) and threads. 3.5"NH (90mm) rocker lug swivel coupling is standard. For use on TFT RC monitors only.

M-ER1250-NN* Same as M-ERP1250-NN except with 6 ft of non-terminated remote wire for custom installations. Does not have SMART STREAM technology.

This nozzle features TFT's exclusive pressure adjustment knob. With a twist of the large knob on the front of the nozzle, operating pressure can be immediately adjusted to tactile detent settings between 70 and 120 psi (4.8 and 8.3 bar). At pressures other than 100 psi, maximum flow is determined by K-factor of 125.



MASTER STREAM 1000 & 1250 WITH FLUSH

300 - 1000 GPM (1100 - 3800 l/min)

300 - 1250 GPM (1100 - 4800 l/min)

Automatic, Selectable or Fixed

The Master Stream 1250 with Flush has the ability to produce an excellent hard-hitting stream at any flow from 300 gpm to 1250 gpm (1100 l/min to 4800 l/min). Easily adjustable from a straight stream to a wide dense fog pattern, the Master Stream 1250 with Flush is standard with a rugged aluminum bumper with fixed fog teeth. The nozzle features a selector ring behind the shaper that allows gallonage selection or flushing the nozzle of debris without shutting down flow. Applications include truck mounted deluge devices, aerials, fireboats, industrial applications, or when flush while flowing is necessary or desired. The Master Stream 1250 with Flush is suitable for use with foam.

M-FA1250-NJ (2.5)

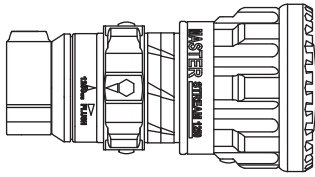
M-FA1250-NL (3.0)

M-FA1250-NN (3.5)

\$1585.00

11.1 lbs (5.0 kg)

11.70" (29.7 cm)



M-FA1250-NJ MASTER 1250 AUTOMATIC WITH FLUSH – Flow range of 300-1250 gpm (1100-4800 l/min). The automatic series features TFT's exclusive pressure adjustment knob. With a twist of the large knob on the front of the nozzle, constant operating pressure can be immediately adjusted to tactile detent settings between 80 and 120 psi (5.5 and 8.3 bar). At pressures other than 100 psi, maximum flow is determined by K-factor of 125. The selector ring allows the user to flush the nozzle without shutting down flow to the nozzle. 2.5" NH (65mm) rocker lug swivel coupling is standard. 3.0" NH (75mm) or 3.5" NH (90mm) couplings optional.

M-FA1000-NJ (2.5)

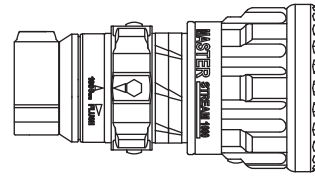
M-FA1000-NL (3.0)

M-FA1000-NN (3.5)

\$1585.00

11.1 lbs (5.0 kg)

11.70" (29.7 cm)



M-FA1000-NJ MASTER 1000 AUTOMATIC WITH FLUSH – Flow range of 300-1000 gpm (1100-3800 l/min). The automatic series features TFT's exclusive pressure adjustment knob. With a twist of the large knob on the front of the nozzle, constant operating pressure can be immediately adjusted to tactile detent settings between 80 and 120 psi (5.5 and 8.3 bar). At pressures other than 100 psi, maximum flow is determined by K-factor of 125. The selector ring allows the user to flush the nozzle without shutting down flow to the nozzle. 2.5" NH (65mm) rocker lug swivel coupling is standard. 3.0" NH (75mm) or 3.5" NH (90mm) couplings optional.

M-FS1250-NJ (2.5)

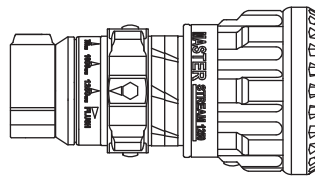
M-FS1250-NL (3.0)

M-FS1250-NN (3.5)

\$1585.00

11.1 lbs (5.0 kg)

11.70" (29.7 cm)



M-FS1250-NJ MASTER 1250 SELECTABLE FLOW WITH FLUSH – The Selectable Flow version of the Master 1250 features a selector ring behind the shaper that can be adjusted while the nozzle is flowing to maximum flows of 500, 750, 1000, and 1250 gpm at 100 psi (2000, 3000, 3800, 4800 l/min). A unique Flow-Limiting function assures maximum stream performance at each gallonage selection setting. The selector ring also allows the user to flush the nozzle without shutting down flow to the nozzle. 2.5" NH (65mm) rocker lug swivel coupling is standard. 3.0" NH (75mm) or 3.5" NH (90mm) couplings optional.

M-FS1000-NJ (2.5)

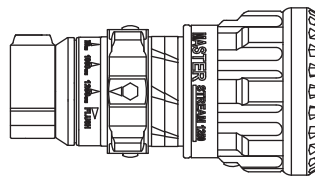
M-FS1000-NL (3.0)

M-FS1000-NN (3.5)

\$1585.00

11.1 lbs (5.0 kg)

11.70" (29.7 cm)



M-FS1000-NJ MASTER 1000 SELECTABLE FLOW WITH FLUSH – The Selectable Flow version of the Master 1000 features a selector ring behind the shaper that can be adjusted while the nozzle is flowing to maximum flows of 350, 500, 750, and 1000 gpm at 100 psi (1300, 2000, 3000, 3800 l/min). A unique Flow-Limiting function assures maximum stream performance at each gallonage selection setting. The selector ring also allows the user to flush the nozzle without shutting down flow to the nozzle. 2.5" NH (65mm) rocker lug swivel coupling is standard. 3.0" NH (75mm) or 3.5" NH (90mm) couplings optional.

M-FF1250-NJ (2.5)

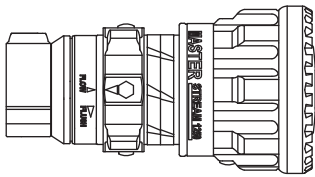
M-FF1250-NL (3.0)

M-FF1250-NN (3.5)

\$1585.00

11.1 lbs (5.0 kg)

11.70" (29.7 cm)



M-FF1250-NJ MASTER 1250 FIXED FLOW WITH FLUSH – Fixed Constant Flow nozzle factory preset at customer's specified K-Factor 50-130. The selector ring allows the user to flush the nozzle without shutting down flow to the nozzle. 2.5" NH (65mm) rocker lug swivel coupling is standard. 3.0" NH (75mm) or 3.5" NH (90mm) couplings optional.

MASTER STREAM 1000 & 1250 ELECTRIC REMOTE WITH FLUSH

Automatic or Fixed

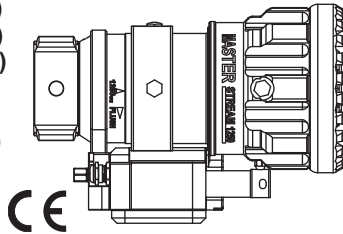
300 - 1000 GPM (1100 - 3800 l/min)

300 - 1250 GPM (1100 - 4800 l/min)

The Master Stream 1250 Electric Remote with Flush has the ability to produce an excellent hard-hitting stream at any flow from 300 gpm to 1250 gpm (1100 l/min to 4800 l/min). Easily adjustable from a straight stream to a wide dense fog pattern, the Master Stream 1250 with Flush is standard with a rugged aluminum bumper with fixed fog teeth. The nozzle features a selector ring behind the shaper that allows flushing the nozzle of debris without shutting down flow. Applications include truck mounted deluge devices, aerials, fireboats, industrial applications, or when flush while flowing is necessary or desired. The Master Stream 1250 with Flush is suitable for use with foam.

When ordering a nozzle for use on TFT RC monitors, order a plug version (EP). EP versions are equipped with SMART STREAM technology. This technology utilizes a position encoder in the nozzle actuator to give the user greater control of the stream pattern, especially around FOG position. Delivered with a waterproof plug connection for seamless integration with TFT's Hurricane, Typhoon, or Monsoon RC Monitor.

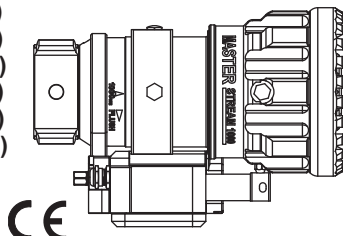
M-FAEP1250NJ (2.5)
M-FAEP1250NL (3.0)
M-FAEP1250NN (3.5)
M-FAER1250NJ (2.5)
M-FAER1250NL (3.0)
M-FAER1250NN (3.5)
\$2190.00
15.1 lbs (6.8 kg)
11.70" (29.7 cm)



M-FAEP1250N* MASTER 1250 AUTOMATIC ELECTRIC REMOTE WITH FLUSH – Flow range of 300-1250 gpm (1100-4800 l/min). The automatic series features TFT's exclusive pressure adjustment knob. With a twist of the large knob on the front of the nozzle, constant operating pressure can be immediately adjusted to tactile detent settings between 80 and 120 psi (5.5 and 8.3 bar). At pressures other than 100 psi, maximum flow is determined by K-factor of 125. This design allows the user to flush the nozzle without shutting down flow to the nozzle. 2.5" NH (65mm) rocker lug swivel coupling is standard. 3.0" NH (75mm) or 3.5" NH (90mm) couplings optional. For use on TFT RC monitors only.

M-FAER1250N* MASTER 1250 AUTOMATIC ELECTRIC REMOTE WITH FLUSH - Same as above except with 6 ft of non-terminated remote wire for custom installations. Does not have SMARTSTREAM technology.

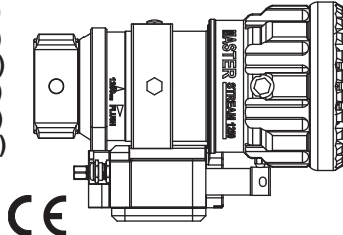
M-FAEP1000NJ (2.5)
M-FAEP1000NL (3.0)
M-FAEP1000NN (3.5)
M-FAER1000NJ (2.5)
M-FAER1000NL (3.0)
M-FAER1000NN (3.5)
\$2190.00
15.1 lbs (6.8 kg)
11.70" (29.7 cm)



M-FAEP1000N* MASTER 1000 AUTOMATIC ELECTRIC REMOTE WITH FLUSH – Flow range of 300-1000 gpm (1100-3800 l/min). The automatic series features TFT's exclusive pressure adjustment knob. With a twist of the large knob on the front of the nozzle, constant operating pressure can be immediately adjusted to tactile detent settings between 80 and 120 psi (5.5 and 8.3 bar). At pressures other than 100 psi, maximum flow is determined by K-factor of 125. This design allows the user to flush the nozzle without shutting down flow to the nozzle. 2.5" NH (65mm) rocker lug swivel coupling is standard. 3.0" NH (75mm) or 3.5" NH (90mm) couplings optional. For use on TFT RC monitors only.

M-FAER1000N* MASTER 1000 AUTOMATIC ELECTRIC REMOTE WITH FLUSH - Same as above except with 6 ft of non-terminated remote wire for custom installations. Does not have SMARTSTREAM technology.

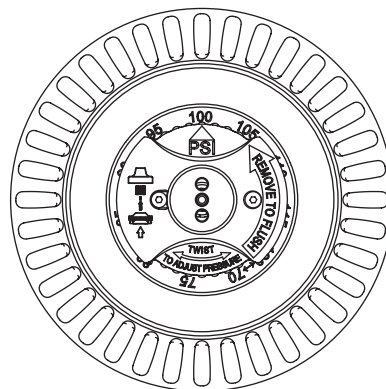
M-FFEP1250NJ (2.5)
M-FFEP1250NL (3.0)
M-FFEP1250NN (3.5)
M-FFER1250NJ (2.5)
M-FFER1250NL (3.0)
M-FFER1250NN (3.5)
\$2190.00
15.1 lbs (6.8 kg)
11.70" (29.7 cm)



M-FFEP1250N* MASTER 1250 FIXED FLOW ELECTRIC REMOTE WITH FLUSH – Fixed Constant Flow nozzle factory preset at customer's specified K-Factor 50-130. This design allows the user to flush the nozzle without shutting down flow to the nozzle. 2.5" NH (65mm) rocker lug swivel coupling is standard. 3.0" NH (75mm) or 3.5" NH (90mm) couplings optional. For use on TFT RC monitors only.

M-FFER1250N* MASTER 1250 FIXED FLOW ELECTRIC REMOTE WITH FLUSH - Same as above except with 6 ft of non-terminated remote wire for custom installations. Does not have SMARTSTREAM technology.

This nozzle features TFT's exclusive pressure adjustment knob. With a twist of the large knob on the front of the nozzle, operating pressure can be immediately adjusted to tactile detent settings between 70 and 120 psi (4.8 and 8.3 bar). At pressures other than 100 psi, maximum flow is determined by K-factor of 125.



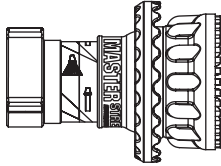
MASTER STREAM 1500 SERIES

300 - 1500 GPM (1100 - 6000 l/min)

Automatic

The Master Stream 1500 has the ability to produce an excellent hard-hitting stream at any volume from 300 gpm to 1500 gpm (1100 - 6000 l/min). It is adjustable from a straight stream to a dense fog pattern. This nozzle features TFT's exclusive pressure adjustment knob. With a twist of the large knob on the front of the nozzle, operating pressure can be immediately adjusted to tactile detent settings between 70 and 120 psi (4.8 and 8.3 bar). At pressures other than 100 psi, maximum flow is determined by K-factor of 150. Applications include truck mounted deluge devices, aerials, fireboats, industrial applications, or where a flow of 300 - 1500 gpm (1100 - 6000 l/min) is necessary or desired.

M-R1500-NJ (2.5)
M-R1500-NL (3.0)
M-R1500-NN (3.5)
M-R1500-NP (4.0)
\$1715.00
13.6 lb (6.1kg)
12.00" (32.0cm)



M-R1500-NN MASTER STREAM 1500 W/HALO 3.5" NH (90mm) - Automatic high volume Master Stream nozzle with a flow range of 300-1500 gpm (1100 - 6000 l/min). Continuously variable pattern from straight stream to wide fog. Includes halo ring for manual pattern control. Rubber bumper incorporates TFT "power fog" teeth for full finger-free fog pattern. Lightweight hard coat anodized aluminum for maximum resistance to corrosion and wear. Specify coupling size (2.5", 3.0", 3.5", 4.0") (65mm, 75mm, 90mm, 100mm) and threads. 3.5" NH (90mm) rocker lug swivel coupling is standard.

MASTER STREAM 1500 ELECTRIC REMOTE SERIES

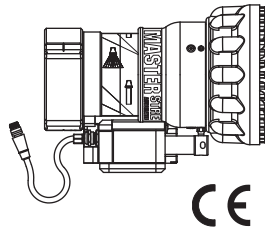
300 - 1500 GPM (1100 - 6000 l/min)

Automatic

Electrically operated pattern control for use on remote applications. The rugged, aluminum actuator is totally enclosed and waterproof. The 12 to 24 volt actuator unit develops sufficient force to break loose ice or contaminants and draws just 3 amps. There is a manual override if the electrical power fails. Water pattern adjusts from straight stream to a wide fog. Nozzle and actuator are hard coat anodized aluminum for maximum resistance to corrosion and wear. Tip does not shut off.

When ordering a nozzle for use on TFT RC monitors, order a plug version (ERP). ERP versions are equipped with SMART STREAM technology. This technology utilizes a position encoder in the nozzle actuator to give the user greater control of the stream pattern, especially around FOG position. Delivered with a waterproof plug connection for seamless integration with TFT's Hurricane, Typhoon, or Monsoon RC Monitor.

M-ERP1500-NJ (2.5)
M-ERP1500-NL (3.0)
M-ERP1500-NN (3.5)
M-ERP1500-NP (4.0)
M-ER1500-NJ (2.5)
M-ER1500-NL (3.0)
M-ER1500-NN (3.5)
M-ER1500-NP(4.0)
\$2250.00
16.8 lb (7.6kg)
12.00" (32.0cm)

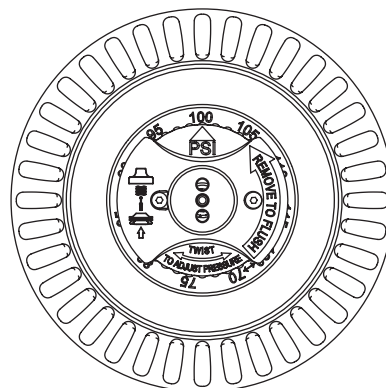


M-ERP1500-NN MASTER STREAM 1500 ELECTRIC REMOTE 3.5" NH (90mm) - The M-ERP1500-NN has a flow capacity of 300-1500 gpm (1100-6000 l/min). With a twist of the large knob on the front of the nozzle, operating pressure can be immediately adjusted to tactile detent settings between 70 and 120 psi (4.8 and 8.3 bar). Specify coupling size (2.5", 3.0", 3.5", 4.0") (65mm, 75mm, 90mm, 100mm) and threads. 3.5"NH (90mm) rocker lug swivel coupling is standard. For use on TFT RC monitors only.

M-ER1500-NN* Same as M-ERP1500-NN except with 6 ft of non-terminated remote wire for custom installations. Does not have SMARTSTREAM technology.

* Models with ER are designed for application on monitors manufactured by others. This is a two wire connection, non terminated, without SMART STREAM technology.

This nozzle features TFT's exclusive pressure adjustment knob. With a twist of the large knob on the front of the nozzle, operating pressure can be immediately adjusted to tactile detent settings between 70 and 120 psi (4.8 and 8.3 bar). At pressures other than 100 psi, maximum flow is determined by K-factor of 150.



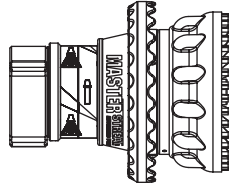
MASTER STREAM 2000 SERIES

300 - 2000 GPM (1100 - 8000 l/min)

Fixed and Automatic

The Master Stream 2000 has the ability to produce an excellent hard-hitting stream at any volume from 300 gpm to 2000 gpm (1100 - 8000 l/min). It is adjustable from a straight stream to a dense fog pattern. The recently redesigned nozzles are substantially shorter and lighter than their predecessors. With a twist of the knob on the front of the nozzle, operating pressure can be immediately adjusted between 80 and 120 psi (6 and 8.3 bar). At pressures other than 100 psi, maximum flow is determined by K-factor of 230. Applications include truck mounted deluge devices, aerials, fireboats, industrial applications, or where a flow of 300 - 2000 gpm (1100 - 8000 l/min) is necessary or desired.

M-R2000-NL (3.0)
M-R2000-NN (3.5)
M-R2000-NP (4.0)
\$2250.00
18.7 lb (8.5kg)
12.10" (30.7cm)



M-R2000-NN MASTER STREAM 2000 W/HALO 3.5" NH (90mm) - Automatic high volume Master Stream nozzle with a flow range of 300-2000 gpm (1100 - 8000 l/min). Continuously variable pattern from straight stream to wide fog. Includes halo ring for manual pattern control. Rubber bumper incorporates TFT "power fog" teeth for full finger-free fog pattern. Lightweight hard coat anodized aluminum for maximum resistance to corrosion and wear. Specify coupling size (2.5", 3.0", 3.5", 4.0") (75mm, 90mm, 100mm) and threads. 3.5" NH (90mm) rocker lug swivel coupling is standard.

MASTER STREAM ELECTRIC REMOTE 2000 SERIES

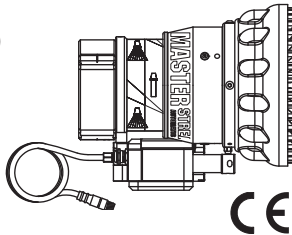
300 - 2000 GPM (1100 - 8000 l/min)

Fixed and Automatic

Electrically operated pattern control for use on remote applications. The rugged, aluminum actuator is totally enclosed and waterproof. The 12 to 24 volt actuator unit develops sufficient force to break loose ice or contaminants and draws just 3 amps. There is a manual override if the electrical power fails. Water pattern adjusts from straight stream to a wide fog. Nozzle and actuator are hard coat anodized aluminum for maximum resistance to corrosion and wear. Tip does not shut off.

When ordering a nozzle for use on TFT RC monitors, order a plug version (ERP). ERP versions are equipped with SMART STREAM technology. This technology utilizes a position encoder in the nozzle actuator to give the user greater control of the stream pattern, especially around FOG position. Delivered with a waterproof plug connection for seamless integration with TFT's Hurricane, Typhoon, or Monsoon RC Monitor.

M-ERP2000-NL (3.0)
M-ERP2000-NN (3.5)
M-ERP2000-NP (4.0)
M-ER2000-NL (3.0)
M-ER2000-NN (3.5)
M-ER2000-NP (4.0)
\$2995.00
21.5 lb (9.8kg)
12.10" (30.7cm)

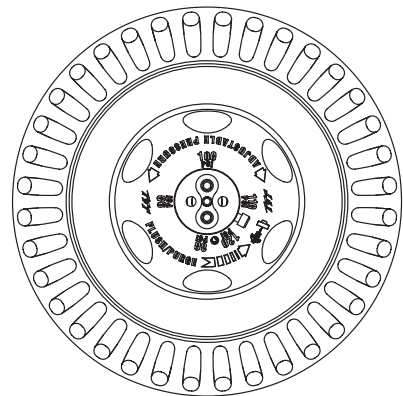


M-ERP2000-NN MASTER STREAM 2000 ELECTRIC REMOTE 3.5" NH (90mm) - The M-ERP2000-NN has a flow capacity of 300-2000 gpm (1100-8000 l/min). With a twist of the knob on the front of the nozzle, operating pressure can be immediately adjusted between 80 and 120 psi (6 and 8.3 bar). Specify coupling size (3.0", 3.5", 4.0") (75mm, 90mm, 100mm) and threads. 3.5"NH (90mm) rocker lug swivel coupling is standard. For use on TFT RC monitors only.

M-ER2000-NN* Same as M-ERP2000-NN except with 6 ft of non-terminated remote wire for custom installations. Does not have SMARTSTREAM technology.

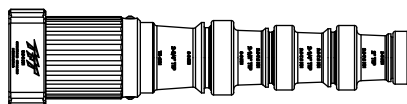
* Models with ER are designed for application on monitors manufactured by others. This is a two wire connection, non terminated, without SMART STREAM technology.

This nozzle now features TFT's exclusive pressure adjustment knob. With a twist of the knob on the front of the nozzle, operating pressure can be immediately adjusted between 80 and 120 psi (6 and 8.3 bar). At pressures other than 100 psi, maximum flow is determined by K-factor of 230.



MASTER STREAM STACKED TIPS

YST-4NN
\$1125.00
12.5 lb (5.7kg)
22.50" (57.2cm)



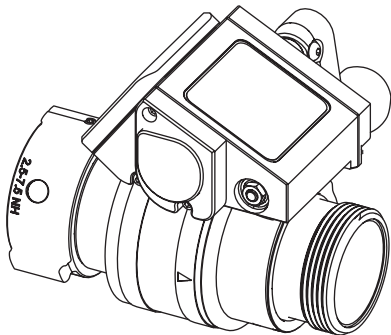
Tether / Retention kit is available on page 210 (TETHER01-KIT)

YST-4NN - 4 STACKED TIPS, 3.5" NH (89mm) Designed for monitor use up to 2000 gpm (8000 l/min), these lightweight tips are hard coat anodized, allow four orifice options, have a built in stream straightener and pressure/flow charts laser engraved on each tip. Orifice openings are 2.75", 2.5", 2.25", and 2.0". (70mm, 65mm, 57mm and 50mm) 3.5" NH (89mm) swivel inlet coupling is standard.

VORTEX® 2 & VORTEX® 2 ER ELECTRIC REMOTE

The TFT VORTEX® 2 enhances the use of a smooth bore nozzle. It is intended for installation behind a smooth bore nozzle for use with water or firefighting foam solutions. Six short vanes in the bore of the VORTEX reduce turbulence in straight stream. Actuation from "STREAM" to "VORTEX" causes the vanes to pivot proportionally. This induces a gentle spin in the water to create a uniformly dispersed stream pattern at the exit of the smooth bore tip resulting in virtually no friction less regardless of which stream pattern is selected.

SVJ-NJNJ
\$1995.00
5.5 lb (2.5kg)
8.4" (21.3cm)

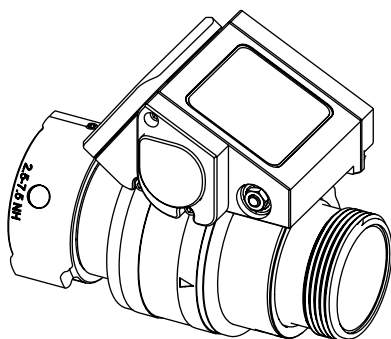


SVJ-NJNJ VORTEX 2.5" (65mm) NHF X 2.5" (65mm) NHM - For monitor use up to 1250 GPM (4500 LPM). Unrestricted stream straightener and internal vanes allow larger debris to easily pass through the Vortex. Uses a crank to actuate from "STREAM" to "VORTEX". Lightweight hard coat anodized aluminum for maximum resistance to corrosion and wear. 2.5" NHF (65mm) is standard threads. Other thread types available upon request. Use with any Master Stream Smooth Bore Tip (Pages 60 & 73).



The TFT VORTEX® 2 ER Electric Remote enhances the use of a smooth bore nozzle. It is intended for installation behind a smooth bore nozzle for use with water or firefighting foam solutions. Six short vanes in the bore of the VORTEX reduce turbulence in straight stream. Actuation from "STREAM" to "VORTEX" causes the vanes to pivot proportionally. This induces a gentle spin in the water to create a uniformly dispersed stream pattern at the exit of the smooth bore tip resulting in virtually no friction less regardless of which stream pattern is selected.

SVJE-NJNJ
\$2045.00
7.9 lb (3.6kg)
8.4" (21.3cm)



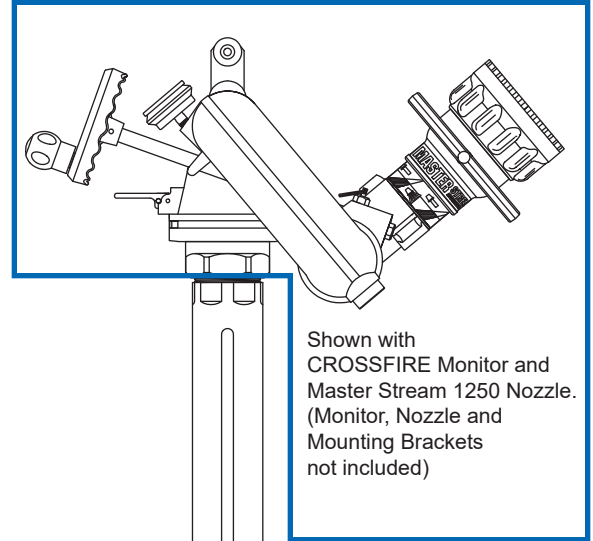
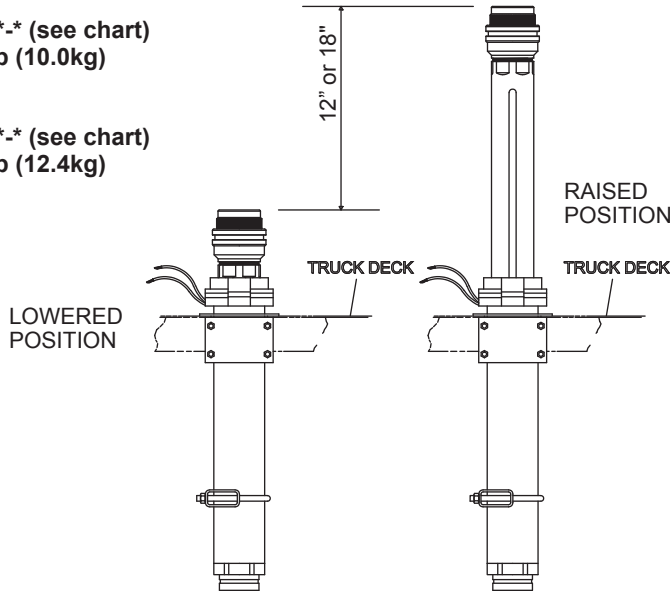
SVJE-NJNJ VORTEX 2 ER 2.5" (65mm) NHF X 2.5" (65mm) NHM - For monitor use up to 1250 GPM (4500 LPM). Unrestricted stream straightener and internal vanes allow larger debris to easily pass through the Vortex. Electric Remote control with a manual override to actuate from "STREAM" to "VORTEX". Lightweight hard coat anodized aluminum for maximum resistance to corrosion and wear. 2.5" NHF (65mm) is standard threads. Other thread types available upon request. Use with any Master Stream Smooth Bore Tip (Pages 60 & 73).

3" Manual Telescoping Waterway

The Extend-A-Gun provides new capabilities for your deck mounted Master Stream device. For storage, it can be lowered to deck level (or even into a monitor well). On the fire ground, the monitor may be raised to its extended position (12 or 18 extra inches)(30.5 or 45.7 extra cm) by lifting the quick release and raising by hand until the non-rotating pipe locks into position. This gives greater clearance of other equipment on the apparatus, greater freedom of movement and allows a more comfortable operating position. The Extend-A-Gun offers a full 3" (75mm) waterway, hard coat anodized finish, and built-in sensor for connection to "monitor raised" light or truck open compartment warning. Can be specified with new, or retrofitted to existing apparatus.

XG12 (see chart)**
22.0 lb (10.0kg)

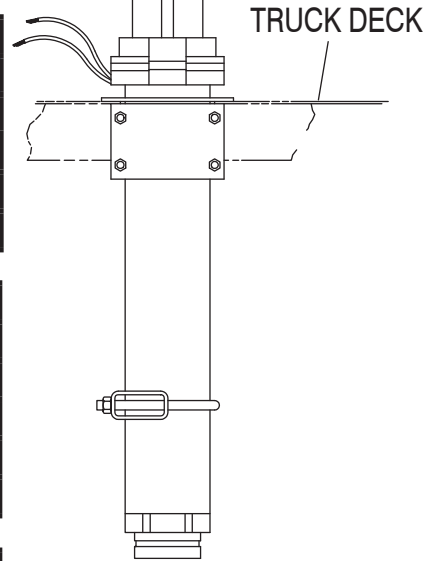
XG18 (see chart)**
27.4 lb (12.4kg)



TFT CODE-RLM OUTLET			
INLET	MODEL#	EXTENSION	PRICE
3" TAPER PIPE MALE (75mm)	XG12PL-RL	12.00" (30.5cm)	\$1610.00
	XG18PL-RL	18.00" (45.7cm)	\$1770.00
3" VICTAULIC (75mm)	XG12VL-RL	12.00" (30.5cm)	\$1610.00
	XG18VL-RL	18.00" (45.7cm)	\$1770.00

CROSSFIRE OUTLET: ONLY FITS CROSSFIRE MONITOR TOP			
INLET	MODEL#	EXTENSION	PRICE
3" TAPER PIPE MALE (75mm)	XG12PL-XL	12.00" (30.5cm)	\$1610.00
	XG18PL-XL	18.00" (45.7cm)	\$1770.00
3" VICTAULIC (75mm)	XG12VL-XL	12.00" (30.5cm)	\$1610.00
	XG18VL-XL	18.00" (45.7cm)	\$1770.00

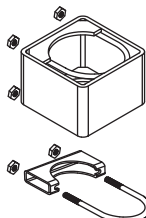
OUTLET: 3" NPT (TAPER PIPE MALE) FITS ANY MONITOR TOP			
INLET	MODEL#	EXTENSION	PRICE
3" TAPER PIPE MALE (75mm)	XG12PL-PL	12.00" (30.5cm)	\$1850.00
	XG18PL-PL	18.00" (45.7cm)	\$2065.00
3" VICTAULIC (75mm)	XG12VL-PL	12.00" (30.5cm)	\$1850.00
	XG18VL-PL	18.00" (45.7cm)	\$2065.00



3" BRACKET SETS

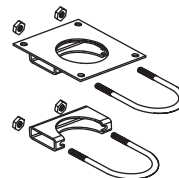
For safe dependable service, the Extend-A-Gun MUST be securely mounted. To make the Extend-A-Gun as versatile as possible, three mounting bracket kits are offered. Each kit has a different upper bracket. The lower bracket is the same in all three.

XGB-13
\$180.00
10.2 lbs (4.6kg)



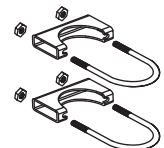
XGB-13
TUBE/SADDLE

XGB-23
\$165.00
8.2 lbs (3.7kg)



XGB-23
PLATE/SADDLE

XGB-33
\$150.00
5.0 lbs (2.3kg)



XGB-33
SADDLE/SADDLE

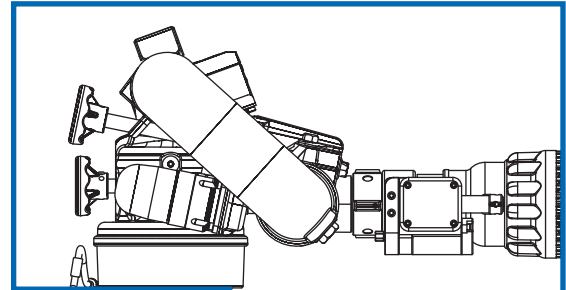
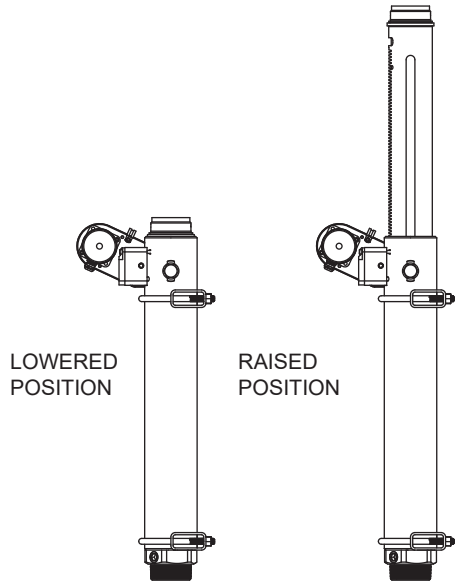
EXTEND-A-GUN™ RC3

3" Remote Controlled Telescoping Waterway

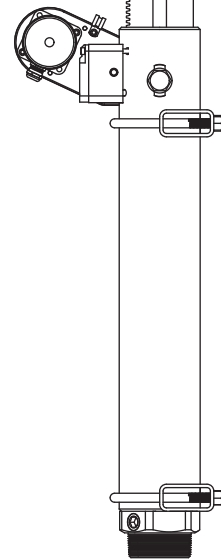
The Extend-A-Gun RC3 lets you lower your deck mounted Master Stream device to deck level for storage (or even into a well). On the fire ground, the monitor can be automatically raised to its extended position (12 or 18 extra inches) (30.5 or 45.7 extra cm) with a simple push of a button. This gives greater clearance of other equipment on the apparatus, greater freedom of movement, and keeps firefighters off the top of the trucks, thus providing a safer operating position. The Extend-A-Gun RC3 offers a 3" (75mm) waterway, and hard coat anodized aluminum finish. Built-in sensor for connection to "monitor raised" light or truck open compartment warning. Connecting RC Extend-A-Gun motor control box to RC monitor communication link (blue & white wires) allows RC Extend-A-Gun operation from any monitor operator station equipped with monitor up/down button or input. Can be specified with new or retrofitted to existing apparatus. **NOTE: Extend-A-Gun RC is not compatible with other manufactures monitors. XGA-RP operator station (see page 175) is required if the RC Extend-A-Gun is to be installed with a TFT manual Monitor.**

XGA32*-* (see chart)
12" Extend-A-Gun
26.6 lbs (12kg)

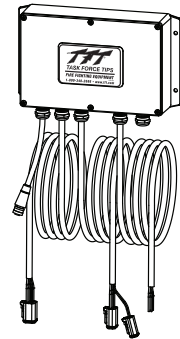
XGA38*-* (see chart)
18" Extend-A-Gun
32 lbs (14.5kg)



Shown with HURRICANE Monitor and Master Stream 1250SER Nozzle. (Monitor, Nozzle and Mounting Brackets not included)



CONTROL BOX (complete with 10 ft (3m) of power & communication cable for connection to monitor communication link & power, 10 ft (3m) of cable for connection to RC monitor, and 12 ft (3.6m) of cable for connection to RC Extend-A-Gun motor)



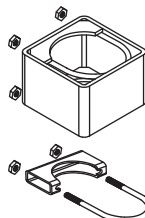
TFT CODE-RLM OUTLET*			
INLET	MODEL#	EXTENSION	PRICE
3" BSP (7.6cm)	XGA32BL-RL	12" (30.5cm)	\$4530.00
3" BSP (7.6cm)	XGA38BL-RL	18" (45.7cm)	\$4530.00
3" NPT (7.6cm)	XGA32PL-RL	12" (30.5cm)	\$4530.00
3" NPT (7.6cm)	XGA38PL-RL	18" (45.7cm)	\$4530.00
3" VICTAULIC	XGA32VL-RL	12" (30.5cm)	\$4530.00
3" VICTAULIC	XGA38VL-RL	18" (45.7cm)	\$4530.00

* Fits inlet of Tornado RC, Hurricane RC, Typhoon RC or Monsoon RC monitors with 3" connection code-RLF.

3" BRACKET SETS

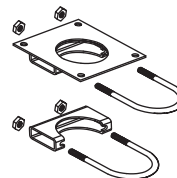
For safe dependable service, the Extend-A-Gun RC3 MUST be securely mounted. To make the Extend-A-Gun as versatile as possible, three mounting bracket kits are offered. Each kit has a different upper bracket. The lower bracket is the same in all three.

XGB-13
\$180.00
10.2 lbs (4.6kg)



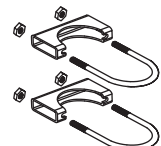
XGB-13
TUBE/SADDLE

XGB-23
\$165.00
8.2 lbs (3.7kg)



XGB-23
PLATE/SADDLE

XGB-33
\$150.00
5.0 lbs (2.3kg)



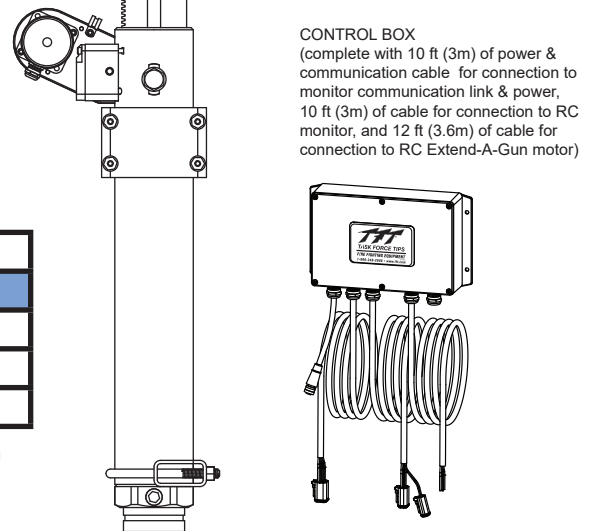
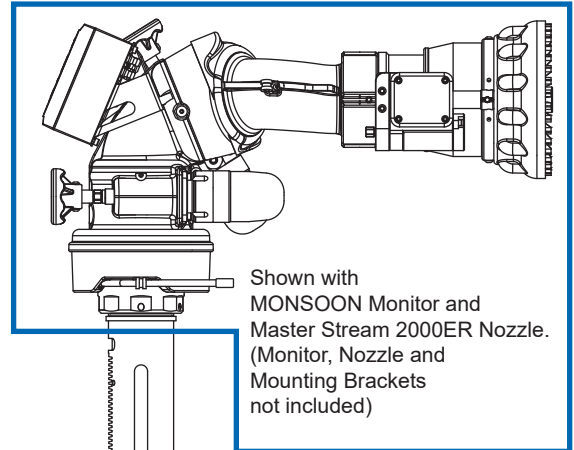
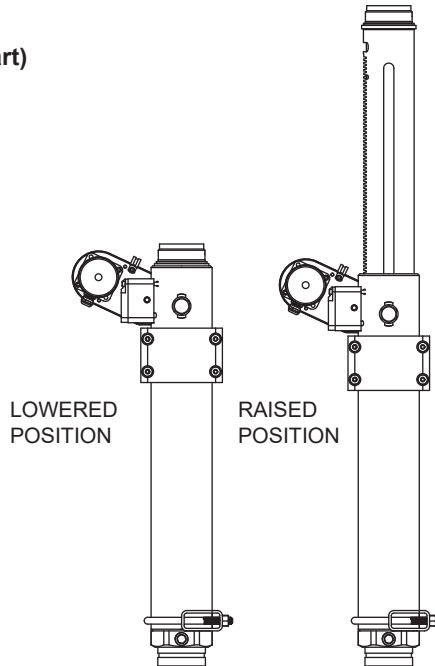
XGB-33
SADDLE/SADDLE

OEM INSTALLED PRODUCTS

4" Remote Controlled Telescoping Waterway

The Extend-A-Gun RC4 lets you lower your deck mounted Master Stream device to deck level for storage (or even into a well). On the fire ground, the monitor can be automatically raised to its extended position (18 extra inches or 45.7 extra cm) with a simple push of a button. This gives greater clearance of other equipment on the apparatus, greater freedom of movement, and keeps firefighters off the top of the trucks, thus providing a safer operating position. The Extend-A-Gun RC4 offers a 4" (100mm) waterway, and hard coat anodized aluminum finish. Built-in sensor for connection to "monitor raised" light or truck compartment operator warning system. Connecting RC Extend-A-Gun motor control box to RC monitor communication link (blue & white wires) allows RC Extend-A-Gun operation from any monitor operator station equipped with monitor up/down button or input. Can be specified with new or retrofitted to existing apparatus. **NOTE: Extend-A-Gun RC is not compatible with other manufactures monitors. XGA-RP operator station (see page 175) is required if the RC Extend-A-Gun is to be installed with a TFT manual Monitor.**

XGA48*.* (see chart)
47 lbs (21.3 kg)



TFT CODE-RPM OUTLET*			
INLET	MODEL#	EXTENSION	PRICE
4" BSP (10cm)	XGA48BP-RP	18" (45.7cm)	\$4700.00
4" NPT (10cm)	XGA48PP-RP	18" (45.7cm)	\$4700.00
4" VICTAULIC	XGA48VP-RP	18" (45.7cm)	\$4700.00

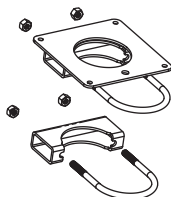
* Fits inlet of Hurricane RC, Typhoon RC or Monsoon RC monitors with 4" connection code-RPF.

4" BRACKET SETS

For safe dependable service, the Extend-A-Gun RC4 MUST be securely mounted. To make the Extend-A-Gun as versatile as possible, the 4" mounting brackets come in two styles. Each kit has a different upper bracket. The lower bracket is the same for both.

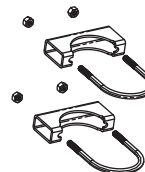
XGB-43
\$180.00
17.8 lbs (8.1kg)

XGB-43
PLATE/SADDLE



XGB-53
\$165.00
11.4 lbs (5.1kg)

XGB-53
SADDLE/SADDLE



NOZZLE OPTIONS FOR THE EF1 RC MONITOR



SMOOTH BORE

Smooth Bore Tips—
5/8" for 80 gpm (300 l/min)
or 1" for 200 gpm (750 l/min)
Good for CAFS Applications

Y1-E32A Monitor with FSS



SELECTABLE

100 psi Selectable ER Tip
Flow Capacity that ranges
from 15 to 120 gpm
(50 to 450 l/min)

Y1-E32A Monitor with B-TOS-ERP



ULTIMATIC

75, 100, 120 or 150 psi
Automatic Tip
Flow Capacities that range
from 10 to 125 gpm
(35 to 470 l/min)

Y1-E32A Monitor with B-TO-ERP



BUBBLE CUP

100 psi Dual Gallonage Tip
Flow Capacities at
20/60 gpm (75/230 l/min)
or 20/95 gpm (75/360 l/min)
Integrated Aspirated Foam Sleeve
Integrated Nozzle Shut Off

Y1-E32A Monitor with FS2095BCER

RC CONTROLLER OPTIONS

BLUETOOTH®



YE-RF-BT
Tactile Touch
Controller



YE-BT1
Bluetooth®
Adapter

PUMP PANEL



Panel Mount
Monitor Operator
Station

HANDHELD W/30 FT TETHER

Tethered Monitor
Operator Station



JOYSTICK IN THE CAB



Joystick Monitor Operator Station
with Valve Control. Available in a
Gateable or Non-Gateable Version



Heavy Duty
Stainless Steel Water
Valve and Interface Box:
Gateable Version or Non-Gateable
Version

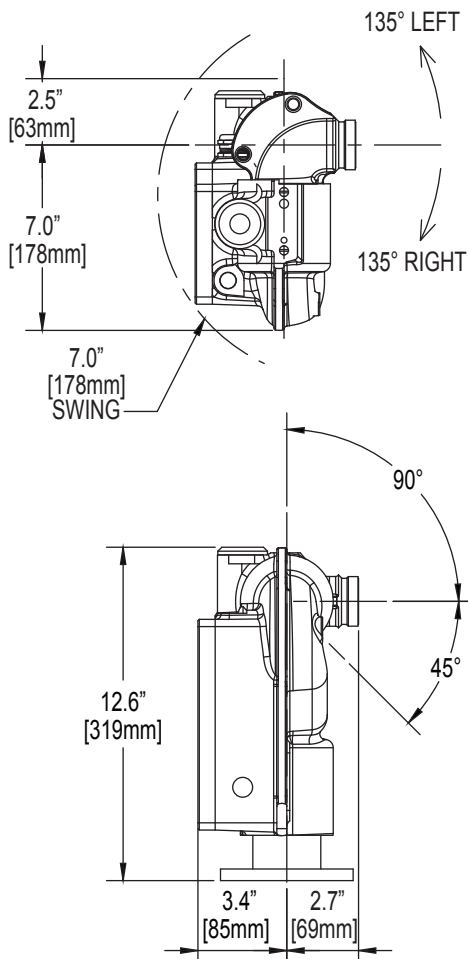
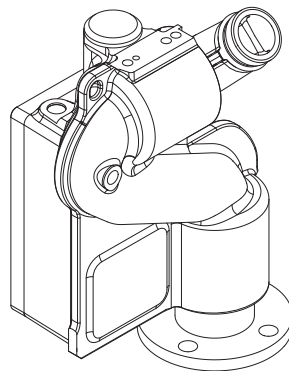
OEM INSTALLED PRODUCTS

Remote Control Monitor Up To 200 GPM (750 l/min)

The EF1 RC monitor is extremely compact, yet it has a large 1.5" (38mm) waterway, capable of flowing up to 200 gpm, making it the ideal forestry bumper turret. Waterway with turning vane has only 19 psi (1.3 bar) friction loss at 200 gpm (750 l/min). Elevation range is 90° above horizontal to 45° below. Horizontal travel is 270° (135° either side of a center position). Field changeable horizontal travel stops to give 180° (90° either side of a center position). Designed for 12 VDC or 24 VDC operation, selection is automatic. The EF1 RC monitor optional controllers allow for monitor horizontal rotation, elevation, nozzle pattern, programmable PARK and Oscillate. The motor control circuits use position encoders and current limiting to protect the drive train at the ends of travel. Unit has waterproof factory installed plug on power wire for easy removal or reinstallation. Electric drives and control box are waterproof. Main waterway made from hard coat anodized aluminum. Silver powder coat finish. Various inlets are available. Contact factory for details about wireless operation.

Y1-E31A
\$4900.00
17.0 lb (7.7kg)

SAMPLE PART NUMBER
Specify Inlet and Outlet by
number from chart



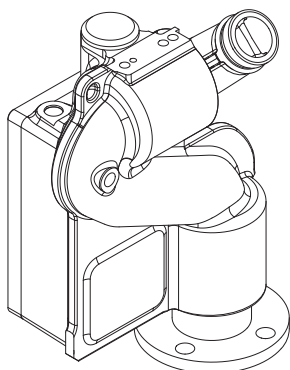
When ordering a EF1 RC monitor, choose one option from each category. Example: Y1-E31A is an monitor with 1.5" (38mm) ANSI 150 inlet and 1.5"-11 BSP (38mm) male threaded outlet. For assistance in ordering, please call 1-800-348-2686 and speak to a monitor specialist.

Y1-E

		A
Inlet 2) 1.5" (38mm) BSPT Female 3) 1.5" (38mm) ANSI 150 ** 4) 1.5" (38mm) NPT Female 6) 2.0" (51mm) BSPT Female 7) 2.0" (51mm) ANSI 150 ** 8) 2.0" (51mm) NPT Female 9) 2.5"-7.5 (64mm) NH Female § ± 0) 2.5"-11 (64mm) BSPT Female ± A) 2.0"-11 (51mm) BSPT Female ± B) DN80, PN16 ± C) 2.5" (64mm) ANSI 150 ± D) 2.5"-8 (64mm) NPT Female ± E) 2.0"-11.5 (51mm) NPT Female ± F) 3.0" -8 (76mm) NPT Female ± G) 3.0" (76mm) ANSI 150 Rigid ± H) TFT Code-RLF * ± J) 1.5"-11.5 (38mm) NPT Female ±	Outlet 1) 1.5"-11 (38mm) BSP Male 2) 1.5"-9 (38mm) NH Male 3) 1.5" (38mm) NPSH Male	
*Code-RLF Fits Extend-A-Gun RC3 ± Quick Connect Inlet Adapter ** 1.5" (38mm) NPT Female on inner diameter of flange § No inlet adapter		

Y1C-71
\$7030.00
7.0 lb (7.7kg)

SAMPLE PART NUMBER
Specify Inlet and Outlet by
number from chart



Rated to 200 gpm (750 l/min) with a maximum operating pressure of 200 psi (14 bar), the EF1 RC is a remotely controlled truck mounted monitor with electric remote control of rotation and elevation angle. The EF1 RC has an electronically operated 270° horizontal rotational travel, user installed travel limit stops, stainless steel worm gear drive, and grease zerk fittings for easy service and lubrication. The discharge elbow includes an integral stream straightener. The monitor is constructed of hard coat anodized aluminum alloy and has a silver powder coat finish.

When ordering a EF1 RC monitor Package Y1C-71, choose one option from each category.

Example: Y1-E31A is an monitor with 1.5" (38mm) ANSI 150 inlet and 1.5"-11 (38mm) BSP male threaded outlet.

F2060BCER is a 20/60 GPM Bubble Cup ER Nozzle

YE-RF-BT plus YE-BT1 is a Tactile Touch Controller with a Bluetooth® Interface.

For assistance in ordering, please call 1-800-348-2686 and speak to a monitor specialist.

MONITOR CHOICE

Y1-E		A
Inlet		Outlet
2) 1.5" (38mm) BSPT Female		1) 1.5"-11 (38mm) BSP Male
3) 1.5" (38mm) ANSI 150 **		2) 1.5"-9 (38mm) NH Male
4) 1.5" (38mm) NPT Female		3) 1.5" (38mm) NPSH Male
6) 2.0" (51mm) BSPT Female		
7) 2.0" (51mm) ANSI 150 **		
8) 2.0" (51mm) NPT Female		
9) 2.5"-7.5 (64mm) NH Female § ±		
0) 2.5"-11 (64mm) BSPT Female ±		
A) 2.0"-11 (51mm) BSPT Female ±		
B) DN80, PN16 ±		
C) 2.5" (64mm) ANSI 150 ±		
D) 2.5"-8 (64mm) NPT Female ±		
E) 2.0"-11.5 (51mm) NPT Female ±		
F) 3.0" -8 (76mm) NPT Female ±		
G) 3.0" (76mm) ANSI 150 Rigid ±		
H) TFT Code-RLF* ±		
J) 1.5"-11.5 (38mm) NPT Female ±		
*Code-RLF Fits Extend-A-Gun RC3 ± Quick Connect Inlet Adapter ** 1.5" (38mm) NPT Female on inner diameter of flange § No inlet adapter		

NOZZLE CHOICE

F2060BCER
20/60 GPM Nozzle

F2095BCER
20/95 GPM Nozzle

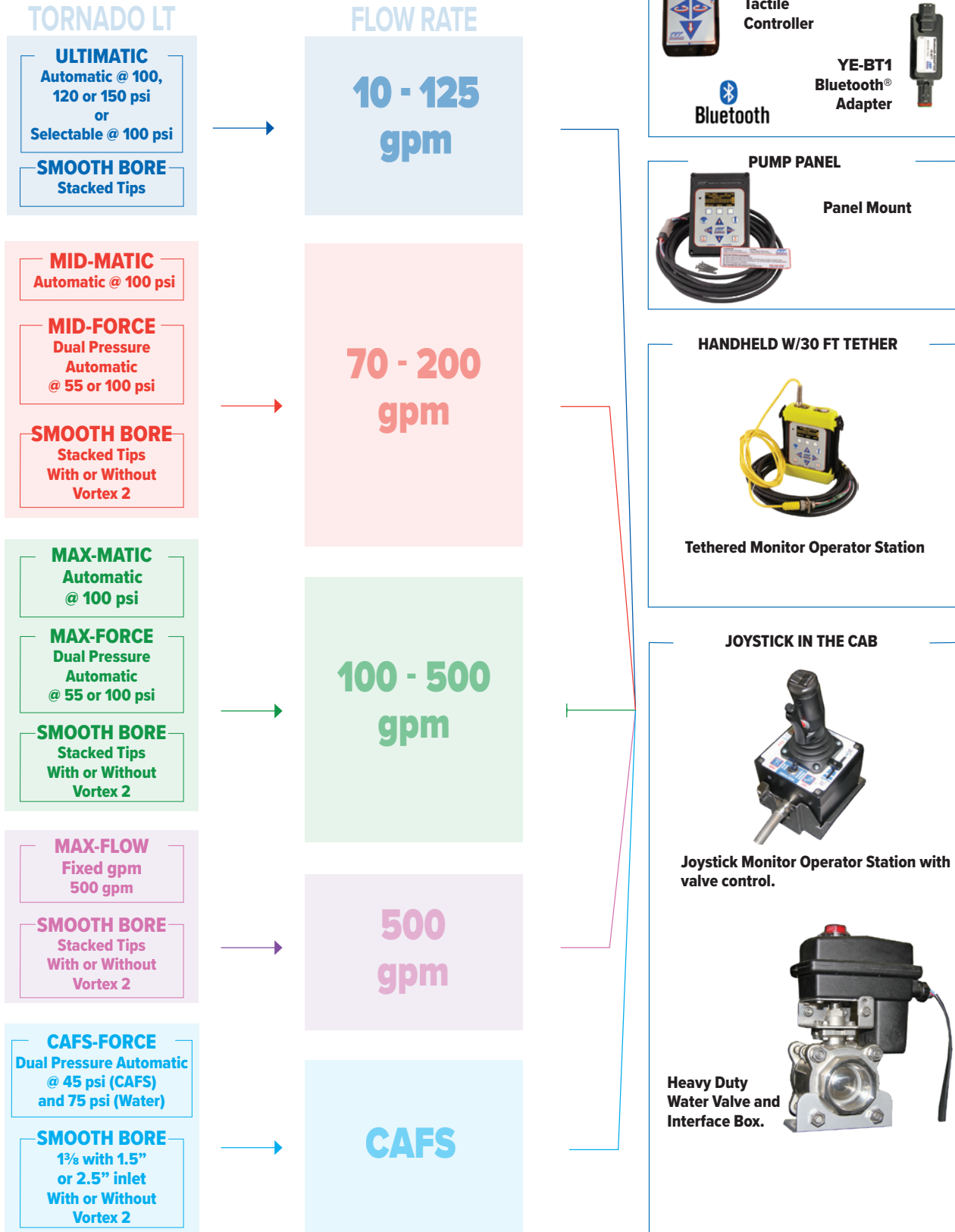
CONTROLLER

YE-RF-BT
Tactile Touch Controller

YE-BT1
Bluetooth® Adapter

OEM INSTALLED PRODUCTS

NOZZLE OPTIONS FOR THE TORNADO LT MONITOR

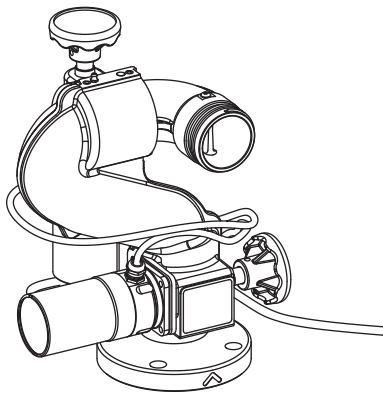


OEM INSTALLED PRODUCTS

Remote Controlled Monitor Up To 500 GPM (2000 l/min)

The Tornado RC LT is very compact, yet it has a large 2.25" (57mm) waterway, capable of flowing up to 500 gpm (2000 l/min), making it the ideal bumper turret. Waterway with turning vane has only 19 psi (1.3 bar) friction loss at 500 gpm (2000 l/min). Elevation range is 90° above horizontal to 45° below. Field changeable elevation travel stops at 45° above and 20° below horizontal. Horizontal travel is 370° (185° either side of a center position). Field changeable horizontal travel stops to give 180° (90° either side of a center position). Designed for 12 VDC or 24 VDC operation, selection is automatic. The motor control circuits use position encoders and current limiting to protect the drive train at the ends of travel. Unit has waterproof factory installed plug on power wire for easy removal or reinstallation. Knobs for manual override are provided on the horizontal rotation and elevation drive. Electric drives and enclosure box are waterproof. Main waterway made from hard coat anodized ANSI 356-T6 aluminum. Silver powder coat finish inside and out. Various inlets are available. Contact factory for details.

**Y4E-JS-LT
Joystick Monitor Operator Station
With Valve Control Must Be Ordered
And Installed.**



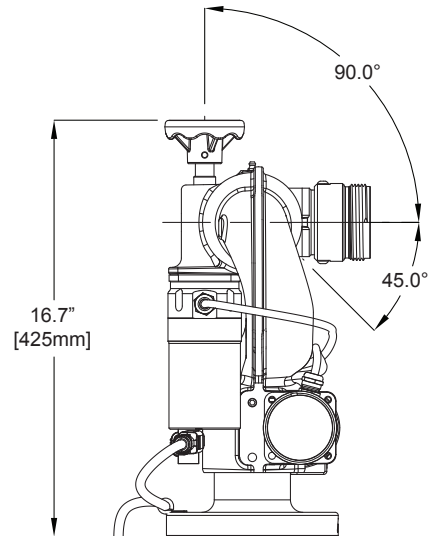
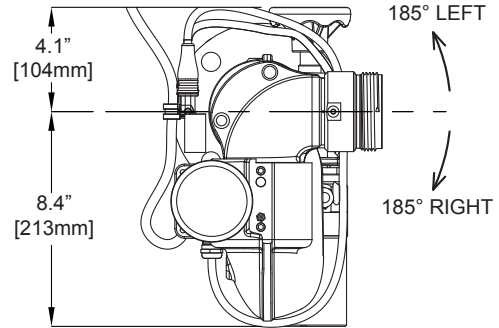
Y2-E11A-LT
\$7370.00
25.0 lb. (11.4kg)



SAMPLE PART NUMBER
Specify Inlet and Outlet by number from chart

See Page 173 for LED Integrated Lighting Kit.

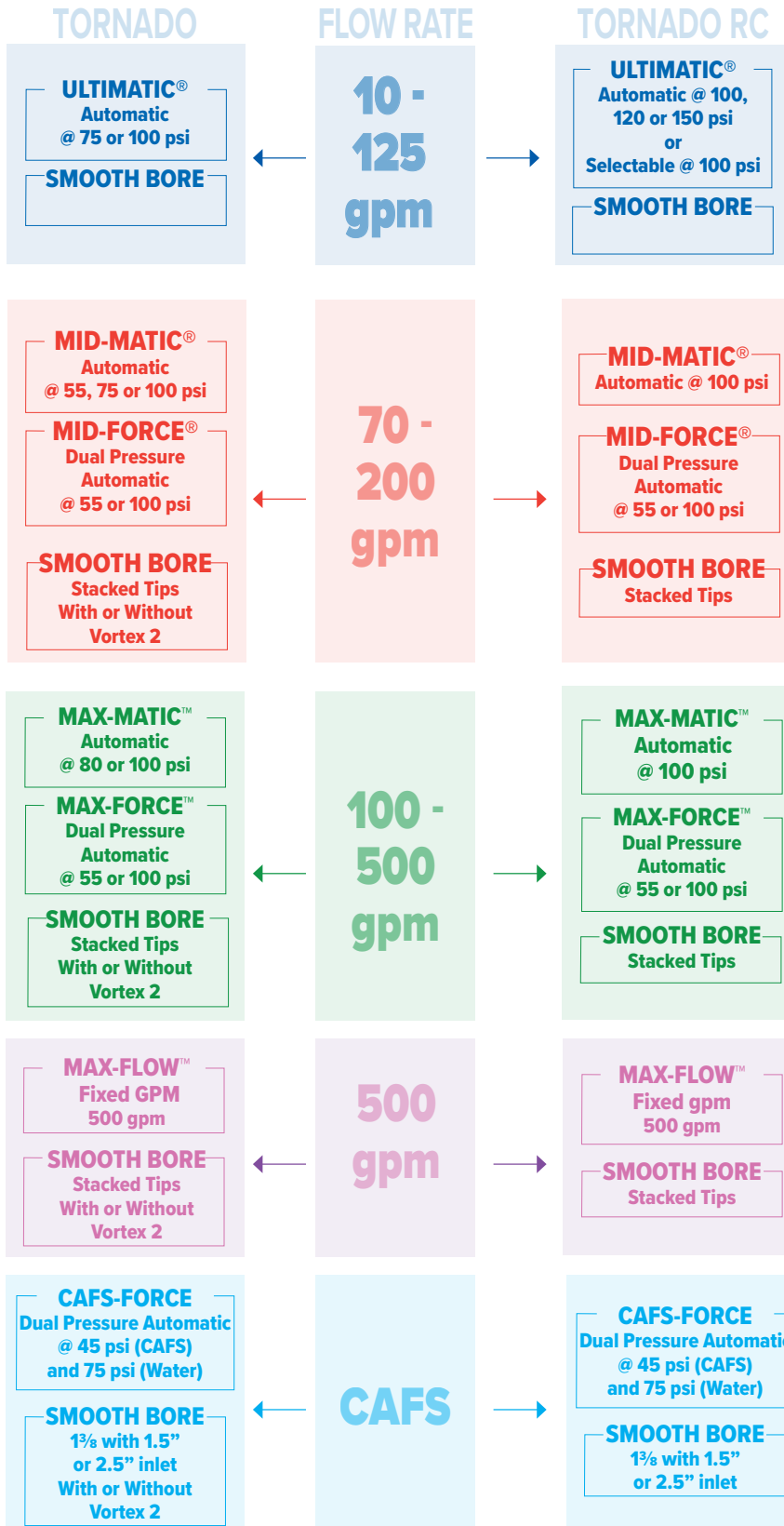
When ordering a Tornado RC LT monitor, choose one option from each category. Example: Y2-E61A-LT is an electric monitor with 2.5" (64mm) ANSI 150 flange inlet and 2.5" NH (64mm) male threaded exit. For assistance in ordering, please call 1-800-348-2686 and speak to an RC monitor specialist.



Y2-E

		A	-LT
Inlet	Outlet		
1) 2.5"-7.5 NH (64mm) Female§	1) 2.5"-7.5 NH (64mm) Male		
2) 2.5"-11 BSPT (64mm) Female	2) 2.5"-11 BSP (64mm) Male		
3) 2.0"-11 BSPT (51mm) Female	3) 1.5"-11 BSP Male		
5) DN80, PN16	4) 1.5"-9 NH (38mm) Male		
6) 2.5" (64mm) ANSI 150	8) Special 1.5" (38mm)		
7) 2.5"-8 NPT(64mm) Female	9) Special 2.5" (64mm)		
8) 2.0"-11.5 NPT (51mm) Female			
9) 3.0" -8 NPT (76mm) Female			
0) 3.0" (76mm) ANSI 150 Rigid			
F) 2.5" (64mm) ANSI 150 Rigid			
§ No inlet adapter			

NOZZLE OPTIONS FOR THE TORNADO MONITOR



RC CONTROLLER OPTIONS

BLUETOOTH[®]

YE-RF-BT Tactile Touch Controller




Bluetooth

YE-BT1 Bluetooth[®] Adapter



PUMP PANEL

Panel Mount



HANDHELD W/30 FT TETHER

Tethered Monitor Operator Station



WIRELESS HANDHELD

Wireless Monitor Operator Station

YE-RF-RAD-9 Radio Antenna



JOYSTICK IN THE CAB

Joystick Monitor Operator Station with valve control. Available in a gateable or non-gateable version.



Heavy Duty Water Valve and Interface Box: gateable version or non-gateable version.

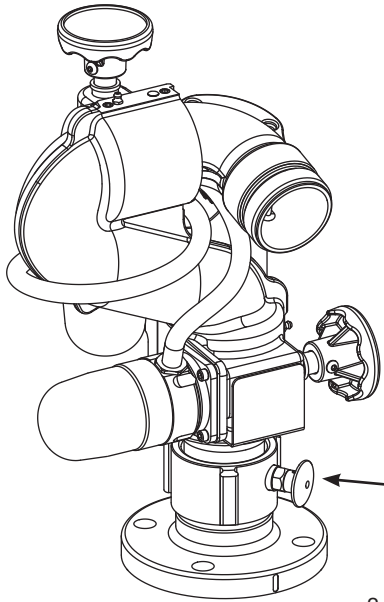


Remote Controlled Monitor Up To 500 GPM (2000 l/min)

The Tornado RC is very compact, yet it has a large 2.25" (57mm) waterway, capable of flowing up to 500 gpm, making it the ideal bumper turret. Waterway with turning vane has only 19 psi (1.3 bar) friction loss at 500 gpm (1900 l/min). Elevation range is 90° above horizontal to 45° below. Field changeable elevation travel stops at 45° above and 20° below horizontal. Horizontal travel is 370° (185° either side of a center position). Field changeable horizontal travel stops to give 180° (90° either side of a center position). Designed for 12 VDC or 24 VDC operation, selection is automatic. The Tornado RC comes with a control panel on the monitor for horizontal rotation, elevation, nozzle pattern, programmable PARK and Oscillate. See pages 174-177 for additional control stations. The motor control circuits use position encoders and current limiting to protect the drive train at the ends of travel. Unit has waterproof factory installed plug on power wire for easy removal or reinstallation. Knobs for manual override are provided on the horizontal rotation and elevation drive. Electric drives and control box are waterproof. Main waterway made from hard coat anodized ANSI 356-T6 aluminum. Silver powder coat finish inside and out. Various inlets are available. Locking quick connect inlets and outlets allows for quick removal of the Tornado for installations such as bumper mounting, where the monitor must be removed to tilt the cab of the truck. For wireless operation, purchase wireless operator station and radio/antenna on page 171.

All TFT RC monitors are capable of being controlled by a programmable logic controller with full three-axis position control & feedback using the Allen Bradley EtherNet/IP protocol. Contact factory for details..

OEM INSTALLED PRODUCTS

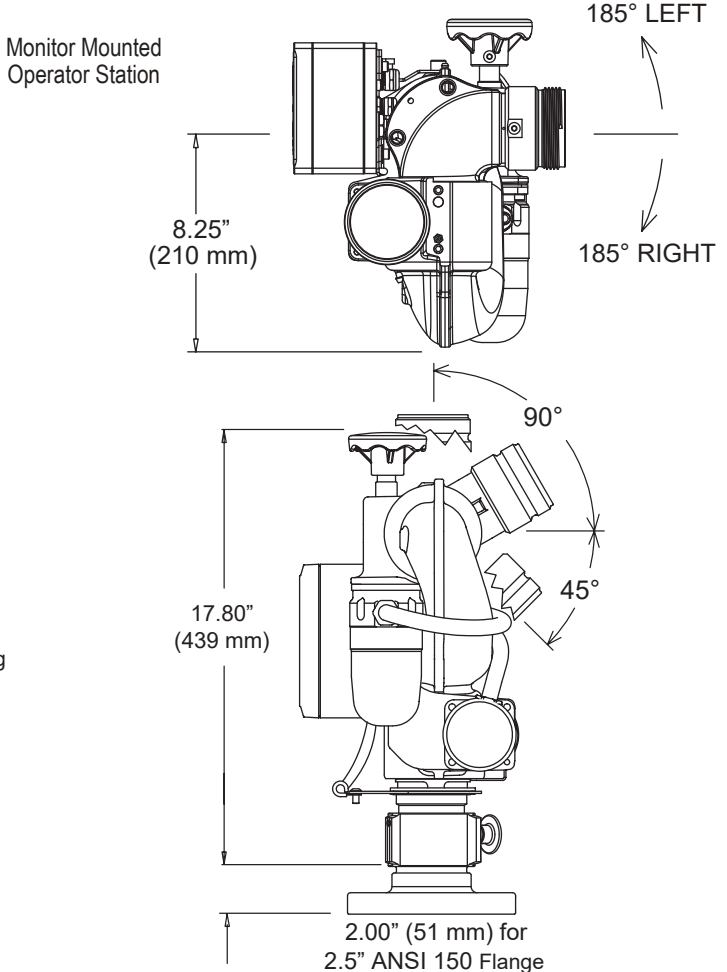


Y2-E11A
\$7370.00
25.0 lb. (11.4kg)

2.5" NH (64mm) Coupling
 Quick Connects to
 various inlet adapters.
 (see chart below)

SAMPLE PART NUMBER
 Specify Inlet and Outlet by number from chart

See Page 173 for LED Integrated Lighting Kit.
 See pages 126-127 for ER nozzle choices



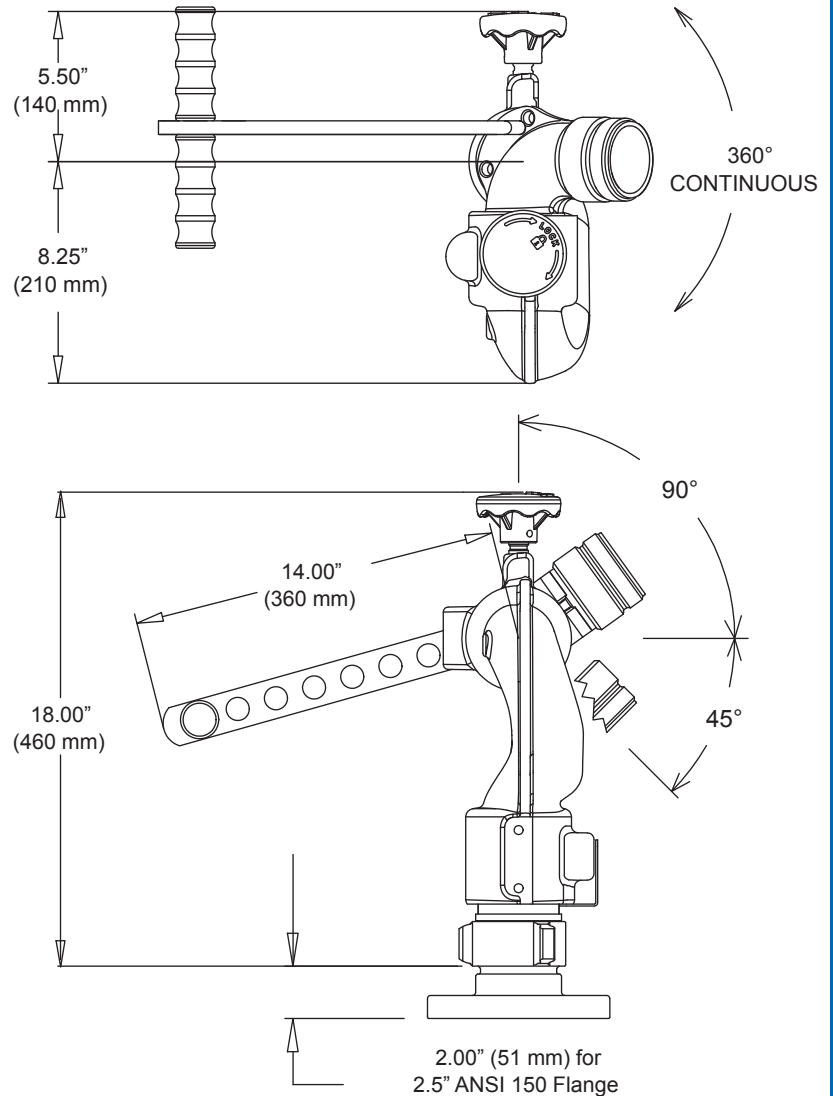
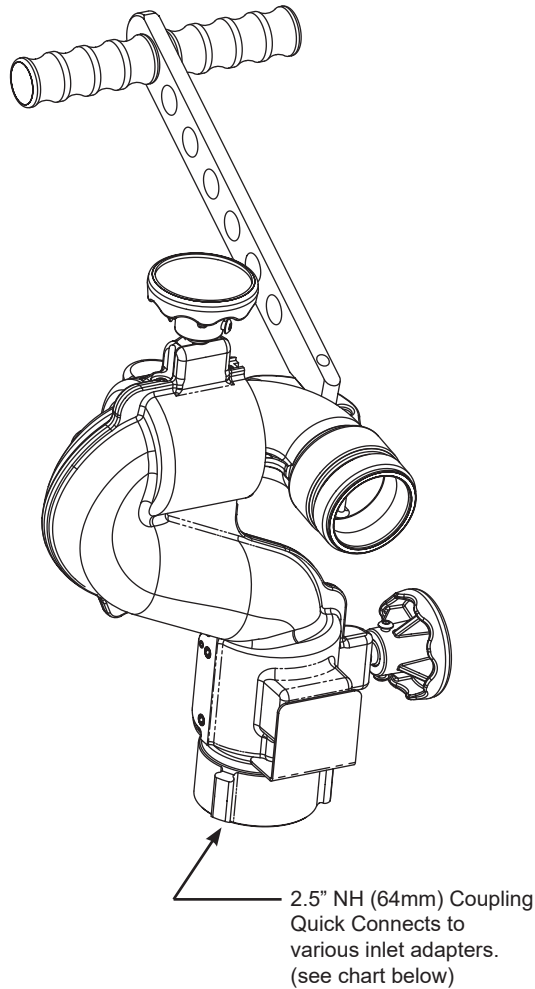
When ordering a Tornado RC monitor, choose one option from each category. Example: Y2-E61A is an electric monitor with 2.5" (64mm) ANSI 150 flange inlet and 2.5" NH (64mm) male threaded exit. For assistance in ordering, please call 1-800-348-2686 and speak to an RC monitor specialist.

Y2-E

Y2-E		A
Inlet 1) 2.5"-7.5 NH (64mm) Female [§] 2) 2.5"-11 BSPT (64mm) Female 3) 2.0"-11 BSPT (51mm) Female 5) DN80, PN16 6) 2.5" (64mm) ANSI 150 7) 2.5"-8 NPT (64mm) Female 8) 2.0"-11.5 NPT (51mm) Female 9) 3.0" -8 NPT (76mm) Female 0) 3.0" (76mm) ANSI 150 Rigid F) 2.5" ANSI 150 Rigid H) 2.0"-11.5 NPT (51mm) Female L) TFT Code-RLF* V) VUM Flange**	Outlet 1) 2.5"-7.5 NH (64mm) Male 2) 2.5"-11 BSP (64mm) Male 3) 1.5"-11 BSP (38mm) Male 4) 1.5"-9 NH (38mm) Male 8) Special 1.5" (38mm) 9) Special 2.5" (64mm) *Code-RLF fits Extend-A-Gun RC3 §No inlet adapter ** Fits VUM, IVUM, HUM and OUM	Optional -Z) Industrial Model with American Red powdered coat (omit for standard silver models)

Manual Monitor Up To 500 GPM (2000 l/min)

The Tornado is very compact, yet it has a large 2.25" (57mm) waterway, capable of flowing up to 500 gpm, making it the ideal manual turret. Waterway with turning vane has only 19 psi (1.3 bar) friction loss at 500 gpm (1900 l/min). Elevation range is 90° above horizontal to 45° below. Has 360° continuous horizontal rotation. Main waterway made from hard coat anodized ANSI 356-T6 aluminum. Silver powder coat finish inside and out. Various inlets are available.



Y2-T11A
\$1490.00
12.0 lb (5.5kg)
SAMPLE PART NUMBER
Specify Inlet and Outlet by
number from chart

When ordering a Tornado monitor, choose one option from each category. Example: Y2-T61A is an tiller monitor with 2.5" (64mm) ANSI 150 inlet and 2.5" NH male threaded outlet. For assistance in ordering, please call 1-800-348-2686 and speak to a monitor specialist.

Y2-T

Inlet	Outlet
1) 2.5"-7.5 NH (64mm) Female [§]	1) 2.5"-7.5 NH (64mm) Male
2) 2.5"-11 BSPT (64mm) Female	2) 2.5"-11 BSP (64mm) Male
3) 2.0"-11 BSPT (51mm) Female	3) 1.5"-11 BSP (38mm) Male
4) DN80, PN16	4) 1.5"-9 NH (38mm) Male
5) 2.5" (64mm) ANSI 150	8) Special 1.5" (38mm)
6) 2.5"-8 NPT (64mm) Female	9) Special 2.5" (64mm)
7) 2.0"-11.5 NPT (51mm) Female	
8) 3.0" -8 NPT (76mm) Female	*Code-RLF fits Extend-A-Gun RC3
9) 3.0" (76mm) ANSI 150	§No inlet adapter
L) TFT Code-RLF*	** Fits VUM, IVUM, HUM and OUM
V) VUM Flange**	

A

NOZZLE OPTIONS FOR THE HURRICANE MONITOR

RC CONTROLLER OPTIONS

BLUETOOTH®



YE-RF-BT
Tactile Touch
Controller



YE-BT1
Bluetooth®
Adapter



PUMP PANEL



Panel Mount

HANDHELD W/30 FT TETHER

Tethered Monitor
Operator Station



WIRELESS HANDHELD



Wireless Monitor
Operator Station

YE-RF-RAD-9 Radio
Antenna

JOYSTICK IN THE CAB



Joystick Monitor Operator Station with
valve control. Available in a gateable or
non-gateable version



Heavy Duty
Water Valve and
Interface Box:
gateable version
or non-gateable version

HURRICANE

MASTER STREAM 1000
Automatic, Selectable,
Fixed @ 100 psi

SMOOTH BORE
Stacked Tips
With or Without
Vortex 2

FLOW RATE

**150 -
1000
gpm**

HURRICANE RC

MASTER STREAM 1000
Automatic, Selectable,
FIXED @ 100 psi

SMOOTH BORE
Stacked Tips

MASTER STREAM 1250
Automatic @ 100 psi

SMOOTH BORE
Stacked Tips
With or Without
Vortex 2

**150 -
1250
gpm**

MASTER STREAM 1250
Automatic @ 100 psi

SMOOTH BORE
Stacked Tips

MASTER STREAM 1000 w/FLUSH
Automatic
@ 80 to 120 psi
or
Selectable
@ 100 psi

SMOOTH BORE
Stacked Tips
With or Without
Vortex 2

**300 -
1000
gpm**

MASTER STREAM 1000 w/FLUSH
Automatic
@ 80 to 120 psi

SMOOTH BORE
Stacked Tips

MASTER STREAM 1250 w/FLUSH
Automatic
@ 80 to 120 psi
or
Selectable or Fixed
@ 100 psi

SMOOTH BORE
Stacked Tips
With or Without
Vortex 2

**300 -
1250
gpm**

MASTER STREAM 1250 w/FLUSH
Automatic
@ 80 to 120 psi
or
Fixed @ 100 psi

SMOOTH BORE
Stacked Tips

SMOOTH BORE
Stacked Tips
With or Without
Vortex 2

CAFS

SMOOTH BORE
Stacked Tips

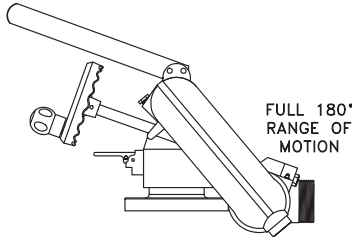
OEM INSTALLED PRODUCTS

Fixed Station Monitor - Up to 1250 GPM (4750 l/min)

The Task Force Tips' Hurricane is a durable, industrial, high-capacity fixed monitor. The Hurricane has high flow and low friction loss characteristics. The red powder coat finish (inside and out), and stainless steel elevation drive make the Hurricane one appliance that can stand up to tough service environments. The Hurricane is capable of flowing 1250 gpm (4750 l/min) while maintaining a FULL 360° rotational ability. The lever-action rotational lock is activated in one motion, visually confirmed, and securely holds the Hurricane in position. A built-in automatic drain protects the monitor from freezing. The placement of grease zerks allows the Hurricane monitor to be quickly and easily serviced and lubricated, and a threaded port 0.25" NPT (6mm) is provided for a pressure gauge. The Hurricane is made from hard anodized ANSI A356-T6 aluminum. The Hurricane industrial monitor comes with our exclusive 5-year warranty.

Red powder coat finish inside and out is standard. To Replace polymer handwheel controls with optional aluminum crank -Z is added to the end of the model number.

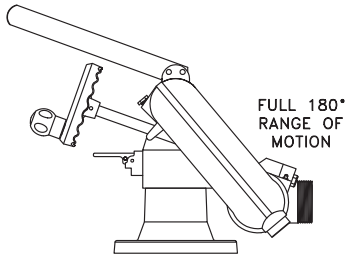
XFI-FLNJ
\$1865.00
19.6 lb (8.9kg)



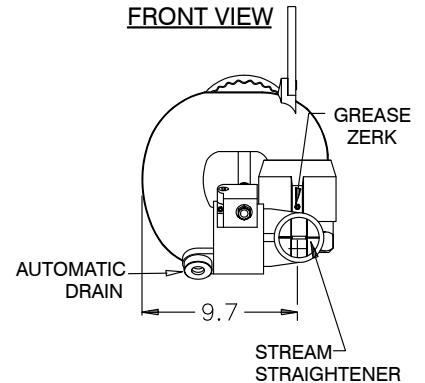
XFI-FLNJ MONITOR
 3" ANSI (75mm), 150 flange inlet,
 4 bolts, 2.5" NH (65mm) outlet.



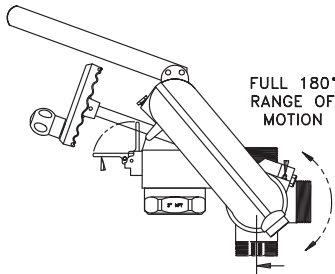
XFI-FPNJ
\$1865.00
22.2 lb (10.1kg)



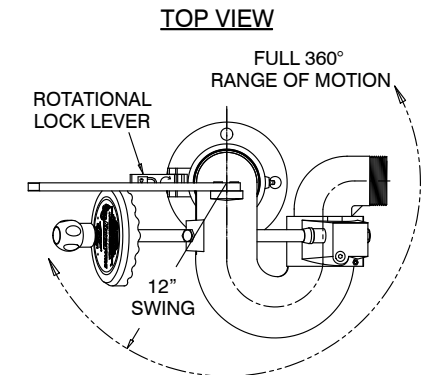
XFI-FPNJ MONITOR
 4" ANSI (100mm), 150 flange inlet,
 8 bolts, 2.5" NH (65mm) outlet.



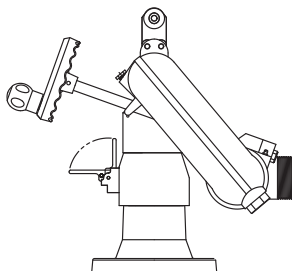
XFI-PLNJ
\$1865.00
18.2 lb (8.3kg)



XFI-PLNJ MONITOR
 3" (75mm) female NPT inlet,
 2.5" NH (65mm) outlet.



XFIE-FLNJ
3" Flange
Extended
\$1865.00
21.0 lb (9.5kg)



XFIE-FLNJ MONITOR EXTENDED
 3" ANSI (75mm), 150 flange inlet,
 4 bolts, 2.5"NH (65mm) outlet.



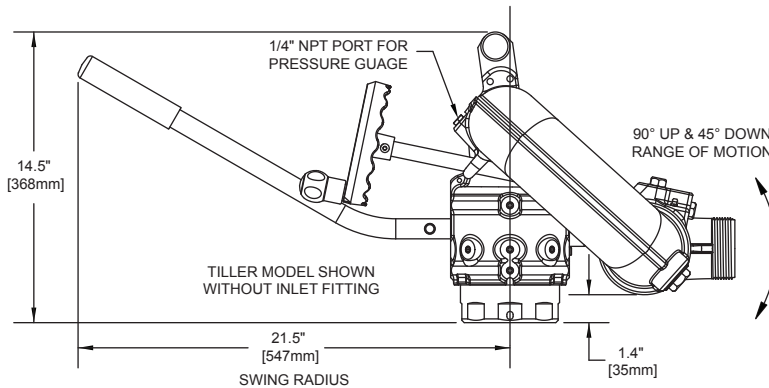
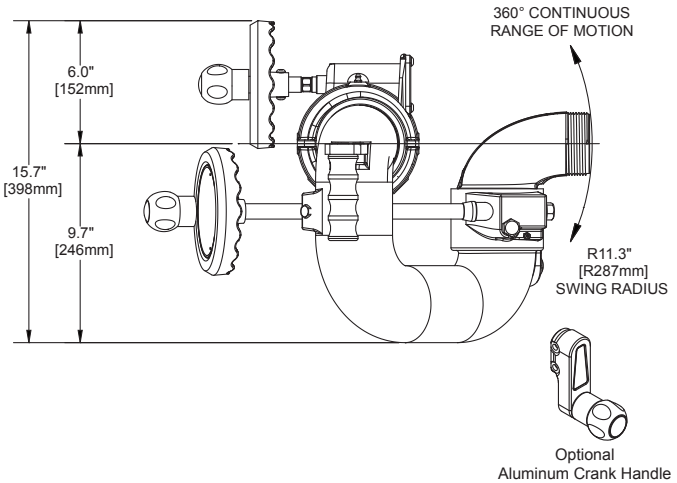
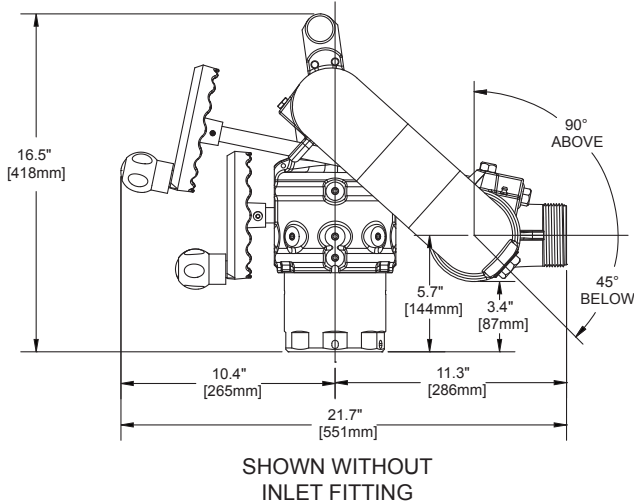
XFIE-FPNJ
4" Flange
Extended
\$1865.00
22.6 lb (10.3kg)

XFIE-FPNJ MONITOR EXTENDED
 4" ANSI (100mm), 150 flange inlet,
 8 bolts, 2.5"NH (65mm) outlet.

Hurricane Dual Handwheel 1250 GPM (4750 l/min)

The TFT Hurricane is a durable, high-capacity industrial fixed monitor with low friction loss characteristics. The silver powder coat finish (inside and out), and stainless steel worm drives allow the Hurricane to withstand tough service environments. The large 3.25" (83mm) waterway will deliver up to 1250 gpm (4750 l/min). Only eleven (11) turns of the handwheel are necessary to change from vertical to the horizontal elevation setting. A built-in automatic drain protects the monitor from freezing. The placement of grease zerks allows the Hurricane monitor to be quickly and easily serviced and lubricated, and a threaded port 0.25" NPT (6mm) is provided for a pressure gauge. 2.5" male NH (64mm) outlet threads are standard. 2.5" male BSP (64mm) threads available on request. The Hurricane is made from hard anodized aluminum.

Silver powder coat finish inside and out is standard, except when "- Z" is added to the end of the model number. Models ending in "- Z" have American Red powder coat finish and aluminum crank handles rather than polymer hand wheels.



XFIH-DP1A
XFIH-TP1A
\$1865.00
31.8 lb (14.4 kg)

SAMPLE PART NUMBER
 Specify Inlet and Outlet by number from chart .

When ordering a Hurricane Dual Handwheel or Tiller monitor, choose one option from each category. Example: Model XFIH-D11A is a monitor with 3" (76mm) ANSI 150 flange inlet and 2.5" NH (64mm) male threaded outlet. For assistance in ordering, please call 1-800-348-2686 and speak to an RC monitor specialist. Flange Specifications are on page 212.

Conversions
 2.5" (64mm)
 3.0" (76mm)
 4" (102mm)
 4.5" (114mm)

XFIH-

D) Dual T) Tiller	Inlet 1) 3" ANSI 150 2) 4" ANSI 150 4) DN80, PN16 5) DN100, PN16 6) 3" NPT Female 7) 4" NPT Female 8) 3" BSP Male 9) 4" BSP Male L) TFT CODE-RLF* P) TFT CODE-RPF** Q) 4.5NH Quick Connect for VUM R) 4.5NH Quick Connect with 4" ANSI 150 S) 4.5NH Quick Connect with 4" NPT female T) 4.5"NH Quick Connect with CODE-RLF* U) 4.5"NH Quick Connect with CODE-RPF* W) Swivel Base for Booster OSC X) TFT CODE RRM***	Outlet 1) 2.5" - 7.5 NH Male (65mm) 2) 2.5" - 11 BSP Male (65mm) 9) Special
----------------------	---	--

A

Optional -Z) Industrial Model with American Red powdered coat and aluminum crank handles (omit for standard silver models)

* TFT CODE-RLF fits Extend-A-Gun and Extend-A-Gun RC3

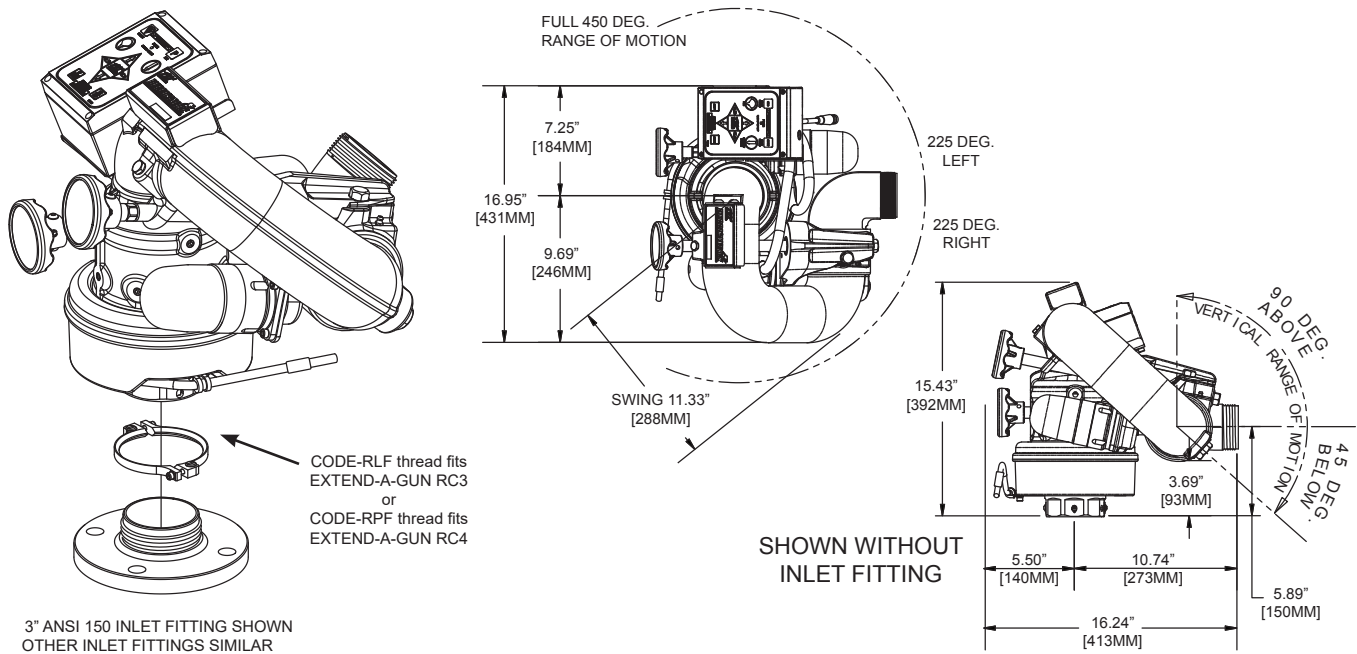
** TFT CODE-RPF fits Extend-A-Gun RC4, VUM and HUM

*** TFT Code-RRM fits 4" IVUM and OUM

Remote Controlled Monitor - 1250 GPM (4750 l/min)

The Hurricane RC is an electric remote controlled monitor, with a single low-profile waterway discharge. The Hurricane RC has high flow and low friction loss characteristics. Capable of flowing 1250 gpm (4750 l/min) while maintaining a FULL 450° rotational travel (225° either side of center). Maximum operating pressure is 200 psi (14 bar). Field changeable horizontal rotation stops at 45, 90 and 135° either side of center position. Elevation range is 90° above horizontal to 45° below. Designed for 12 VDC or 24 VDC volt operation, selection is automatic. The Hurricane RC comes with a control panel mounted on the monitor for horizontal rotation, elevation, nozzle pattern, programmable PARK and Oscillate. See pages 174-177 for additional control stations. The motor control circuits are factory installed on the monitor and use position encoders and current limiting to protect the drive train at the ends of travel. Unit comes with 30 feet (9m) of ultra-flexing robotics power cable already wired to the monitor, and is enclosed in a unique cable guide that allows FULL 450° of horizontal travel, which is far more reliable than slip rings or coil cords. Knobs for manual override are also provided. TFT's Master Stream 1250 ER nozzle plugs into the factory installed nozzle power wire. Electric drives and control box are waterproof. Standard outlet is 2.5" NH (64mm) male thread. A built-in automatic drain protects the monitor from freezing. A threaded port 0.25" NPT (6mm) is provided for optional pressure gauge. The monitor is made from hard coat anodized ANSI 356-T6 aluminum and silver powder coat finish inside and out. For wireless operation, purchase wireless operator station and radio/antenna on page 171.

All TFT RC monitors are capable of being controlled by a programmable logic controller with full three-axis position control & feedback using the Allen Bradley EtherNet/IP protocol. Contact factory for details..



XFIH-E11A
\$8410.00
39.0 lb (17.7 kg)



Conversions

- 2.5" (64mm)
- 3.0" (76mm)
- 4" (102mm)
- 4.5" (114mm)

See pages 170-172 for control options.
 See pages 130-133 for ER nozzles that plug into the factory installed nozzle connection.

SAMPLE PART NUMBER
 Specify Inlet and Outlet by number from chart .

When ordering a Hurricane RC monitor, choose one option from each category.
 Example: Model XFIH-E11A is a monitor with 3" ANSI 150 flange inlet and 2.5" NH male threaded outlet. For assistance in ordering, please call 1-800-348-2686 and speak to an RC monitor specialist. Flange Specifications are on page 212.

XFIH-E

		A	
Inlet			Optional
1) 3" ANSI 150	L) TFT CODE-RLF*		-Z) Industrial Model with American Red powdered coat (omit for standard silver models)
2) 4" ANSI 150	N) TFT CODE-RPF for VUM and HUM		
4) DN80, PN16	P) TFT CODE-RPF Extend-A-Gun RC4		
5) DN100, PN16	Q) 4.5NH Quick Connect for VUM +		
6) 3" NPT Female	R) 4.5NH Quick Connect with 4" ANSI 150 +		
7) 4" NPT Female	S) 4.5NH Quick Connect with 4" NPT female +		
8) 3" BSP Male	T) 4.5"NH Quick Connect with CODE-RLF* +		
9) 4" BSP Male	U) 4.5"NH Quick Connect with CODE-RPF** +		
	X) TFT CODE RRM for 4" IVUM and OUM +		
Outlet			
1) 2.5" - 7.5 NH Male (65mm)			
2) 2.5" - 11 BSP Male (65mm)			
9) Special			

* TFT CODE-RLF fits Extend-A-Gun and Extend-A-Gun RC3

** TFT CODE-RPF fits Extend-A-Gun RC4, VUM and HUM

+ Horizontal Axis Travel Limited to 135° left/right

NOZZLE OPTIONS FOR THE TYPHOON MONITOR

RC CONTROLLER OPTIONS

TYPHOON

FLOW RATE

TYPHOON RC



MASTER STREAM 1250
Automatic
70-120 psi

300 - 1250 gpm

MASTER STREAM 1250
Automatic
70-120 psi

SMOOTH BORE
Stacked Tips
With or Without
Vortex 2

SMOOTH BORE
Stacked Tips



MASTER STREAM 1500
Automatic
70-120 psi

300 - 1500 gpm

MASTER STREAM 1500
Automatic
70-120 psi

SMOOTH BORE
Stacked Tips

SMOOTH BORE
Stacked Tips



SMOOTH BORE
Stacked Tips
With or Without
Vortex 2

CAFS

SMOOTH BORE
Stacked Tips

BLUETOOTH®

YE-RF-BT
Tactile Touch
Controller

YE-BT1
Bluetooth®
Adapter

Bluetooth

PUMP PANEL

Panel Mount
Monitor Operator
Station

HANDHELD W/30 FT TETHER

Tethered Monitor Operator Station

WIRELESS HANDHELD

Wireless Monitor Operator Station
YE-RF-RAD-9 Radio Antenna

JOYSTICK IN THE CAB

Joystick Monitor Operator Station with valve control

OEM INSTALLED PRODUCTS

Manually Controlled Monitor - 1500 GPM (6000 l/min)

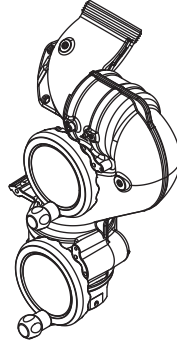
The Typhoon is a manually operated monitor designed for flows up to 1500 gpm (6000 l/min). Maximum operating pressure is 200 psi (14 bar). Waterway with turning vane has only 19 psi (1.3 bar) loss at 1500 gpm (6000 l/min). Available with various inlet flanges and threaded fittings. Inlet also made for direct connection to TFT's Extend-A-Gun series and Valve Under Monitor series. See chart on next page for model numbers. Standard outlet is 3.5"NH (90 mm) male thread; other outlets available. Main waterway made from hard coat anodized ANSI 356-T6 aluminum.

Silver powder coat finish inside and out is standard, except when "- Z" is added to the end of the model number. Models ending in "- Z" have American Red powder coat finish and aluminum crank handles rather than polymer hand wheels.

Y5-D11A
TYPHOON HANDWHEEL 3" ANSI INLET
\$3620.00
22.0 lb (10.0kg)



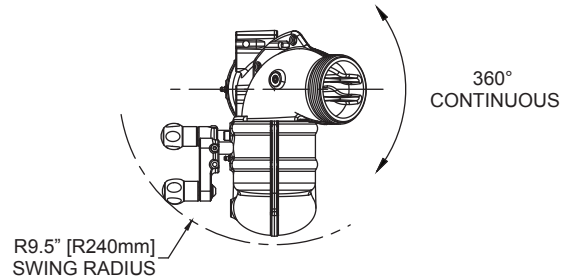
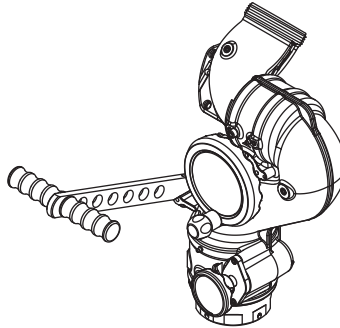
SAMPLE PART NUMBER
 Specify Inlet and Outlet by
 number from chart .



Y5-M11A
Handwheel for Elevation
Tiller for Horizontal Rotation
\$3505.00
23.0 lb (10.4kg)



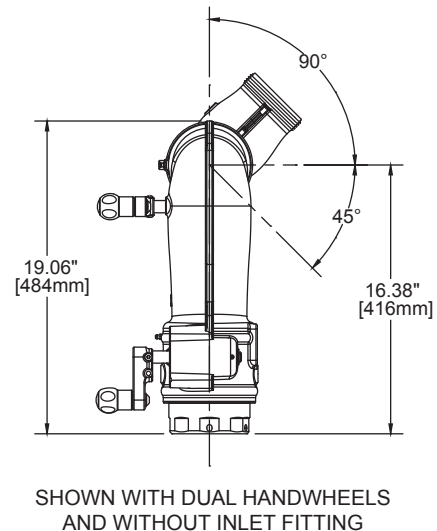
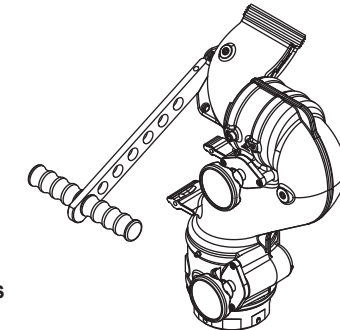
SAMPLE PART NUMBER
 Specify Inlet and Outlet by
 number from chart .



Y5-T11A
Tiller with locks on both axis
\$3505.00
23.0 lb (10.4kg)



SAMPLE PART NUMBER
 Specify Inlet and Outlet by
 number from chart .



Conversions

- 3.0" (76mm)
- 3.5" (89mm)
- 4.0" (102mm)
- 4.5" (114mm)
- 6.0" (152mm)

When ordering a Typhoon monitor, choose one option from each category below. For example Model Y5-M21A is a manual elevation handwheel, horizontal tiller aluminum monitor with 4" (102mm) ANSI 150 flange inlet and 3.5" NH (89mm) male threaded outlet. For assistance in ordering, please call 1-800-348-2686 and speak to a monitor specialist. Flange Specifications are on page 212.

Y5-

Actuation	Inlet	L) TFT CODE-RLF*	Outlet
D) Dual Handwheel	1) 3" ANSI 150	P) TFT CODE-RPF**	1) 3.5"-6 NH Male
M) Elevation Handwheel	2) 4" ANSI 150	Q) 4.5"NH Quick Connect for VUM	2) 3.5"-11 BSP Male
Horizontal Tiller	3) 6" ANSI 150	R) 4.5"NH Quick Connect with 4" ANSI 150	3) 3.5"-8 NPSH Male
T) Tiller Both Axis	4) DN80, PN16	S) 4.5"NH Quick Connect with 4" NPT female	4) 4.0"-11 BSP Male
	5) DN100, PN16	T) 4.5"NH Quick Connect with CODE-RLF*	9) Special
	6) 3" NPT Female	U) 4.5"NH Quick Connect with CODE-RPF**	
	7) 4" NPT Female	W) Swivel Base for Booster OSC	
	8) 3" BSP Male	X) TFT CODE-RRM***	
	9) 4" BSP Male		

A

Optional -Z) Industrial Model with American Red powdered coat and aluminum crank handles (omit for standard silver models)

* TFT CODE-RLF fits Extend-A-Gun and Extend-A-Gun RC3

** TFT CODE-RPF fits Extend-A-Gun RC4, VUM and HUM

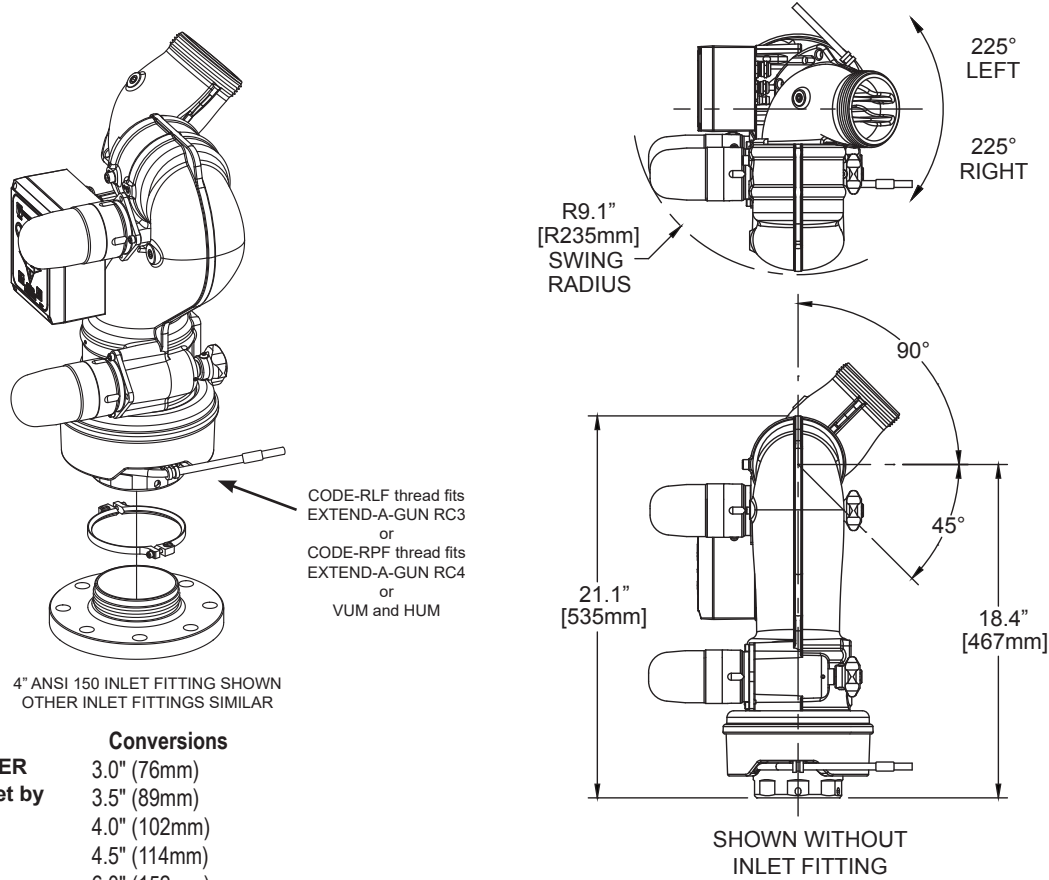
***TFT CODE RRM Fits 4" IVUM and OUM



Remote Controlled Monitor 1500 GPM (6000 l/min) Designed for Pumper Applications

The Typhoon RC is an electrically operated monitor for flows up to 1500 gpm (6000 l/min). Maximum operating pressure is 200 psi (14 bar). Waterway with turning vane has only 19 psi (1.3 bar) loss at 1500 gpm (6000 l/min). Designed for 12 VDC or 24 VDC operation, selection is automatic. The Typhoon RC comes with a factory installed control panel mounted to the monitor for controlling horizontal rotation, elevation, nozzle pattern, and programmable PARK and Oscillate. See Pages 174-177 for additional control stations. The motor controls use position encoders and current limiting to protect the drive train at ends of travel. Knobs are installed so the monitor may be manually operated in the event of a power failure. Field changeable stops for horizontal travel at 45, 90, and 135° either side of a center position. Horizontal travel without stops is 225° left and right (450° total). Available with various inlet flanges and threaded fittings. Inlet also made for direct connection to TFT's electric Extend-A-Gun RC3, RC4 and Valve Under Monitor Series. Main waterway made from hard coat anodized ANSI 356-T6 aluminum. Silver powder coat finish inside and out. Standard outlet is 3.5" NH (90 mm) male thread. Other outlets available. For wireless operation, purchase wireless operator station and radio/antenna on page 171.

All TFT RC monitors are capable of being controlled by a programmable logic controller with full three-axis position control & feedback using the Allen Bradley EtherNet/IP protocol. Contact factory for details.



Y5-E21A
Electric
\$8660.00
37.2 lbs (16.8 kg)

SAMPLE PART NUMBER
Specify Inlet and Outlet by
number from chart

Conversions	
3.0"	(76mm)
3.5"	(89mm)
4.0"	(102mm)
4.5"	(114mm)
6.0"	(152mm)

See page 134 for nozzles choices.

When ordering a Typhoon monitor, choose one option from each category below. For example Model Y5-E21A is an electric aluminum monitor with 4" ANSI 150 flange inlet and 3.5" NH (89mm) male threaded outlet. For assistance in ordering, please call 1-800-348-2686 and speak to a monitor specialist. Flange Specifications are on page 212.

Y5-			A
Actuation E) Electric	Inlet 1) 3" ANSI 150 2) 4" ANSI 150 3) 6" ANSI 150 4) DN80, PN16 5) DN100, PN16 6) 3" NPT Female 7) 4" NPT Female 8) 3" BSP Male 9) 4" BSP Male	L) TFT CODE-RLF for Extend-A-Gun RC3 N) TFT CODE-RPF for VUM and HUM P) TFT CODE-RPF Extend-A-Gun RC4 Q) 4.5"NH Quick Connect for VUM + R) 4.5"NH Quick Connect with 4" ANSI 150 + S) 4.5"NH Quick Connect with 4" NPT female + T) 4.5"NH Quick Connect with CODE-RLF* + U) 4.5"NH Quick Connect with CODE-RPF** + X) TFT CODE-RRM Fits 4" IVUM and OUM +	Outlet 1) 3.5"-6 NH Male 2) 3.5"-11 BSP Male 3) 3.5"-8 NPSH Male 4) 4.0"-11 BSP Male 9) Special
			Optional -Z) Industrial Model with American Red powdered coat (omit for standard silver models)

* TFT CODE-RLF fits Extend-A-Gun and Extend-A-Gun RC3

** TFT CODE-RPF fits Extend-A-Gun RC4, VUM and HUM

+ Horizontal Axis Travel Limited to 135° left/right

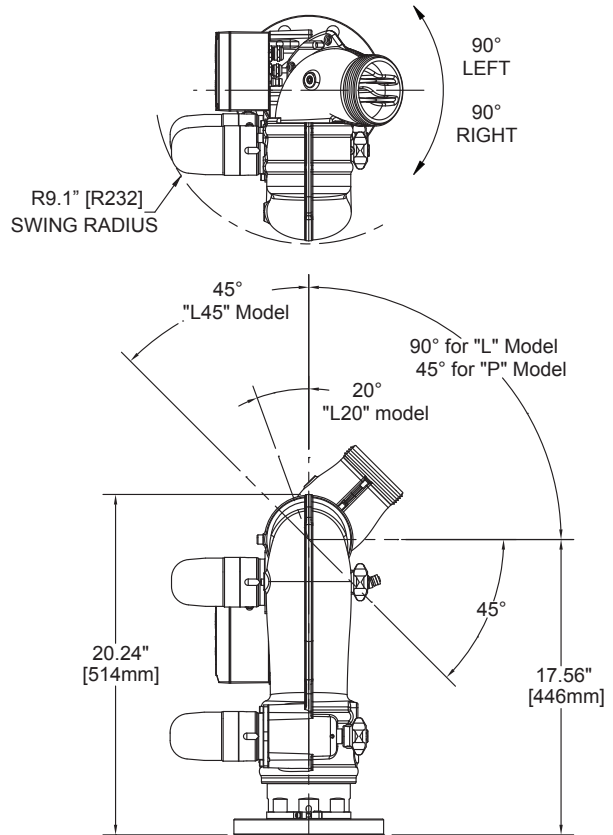
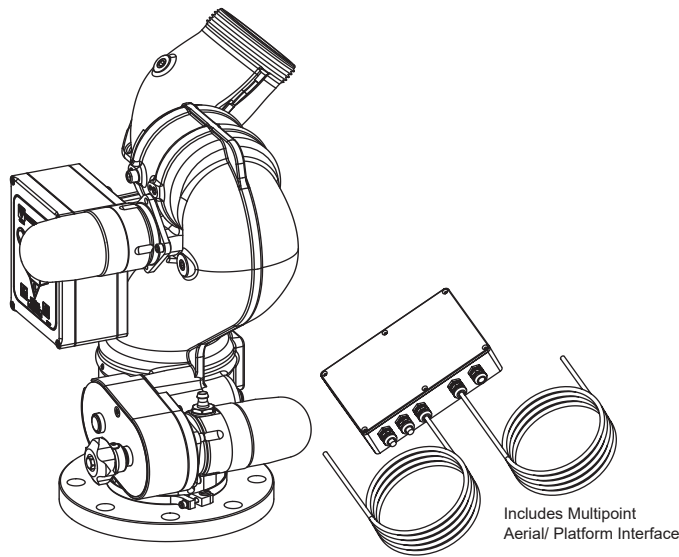
Remote Controlled Monitor 1500 GPM (6000 l/min) Designed for Ladder and Platform Applications

The Typhoon RC for Ladder or Platform installations is similar to the standard Typhoon RC. This model has the horizontal travel limited to 90° left and right (180° total). Various models are available with different elevation ranges –see the figure and table below for details. Ladder and Platform models include an electronics enclosure and 10' (3m) of cable to connect signals from the primary control station (such as the turntable toggle switches). These signals can either be hard wired or from a Canbus output module. The Platform model's electronics enclosure contains an additional 10' (3m) cable to connect signals from a secondary control station (such as from basket toggle switches). The primary control signals will always override any signals from the secondary control or the monitor operator station. The electronics enclosure is factory configured to accept +12/24 VDC signals, but can be reconfigured in the field to accept ground signals. This electronics enclosure also includes a relay to indicate when the monitor is in the PARK position and contacts that can be connected to the Canbus or multiplex system. A monitor mounted control panel allows vertical, horizontal, and nozzle pattern adjustments and programmable PARK and Oscillate. See pages 170-173 for additional control stations. For wireless operation, purchase wireless operator station package on page 171.

Ladder/platform electronics enclosures includes inputs for DEPLOY monitor, INHIBIT monitor, and LIMIT VERTICAL movement on -Lxx models with extra travel.

All TFT RC monitors are capable of being controlled by a programmable logic controller with full three-axis position control & feedback using the Allen Bradley EtherNet/IP protocol. Contact factory for details.

Inlet Options A & B increase operating clearance by offsetting the monitor inlet by 1.5" (25mm).



Y5-E21A-L
\$8660.00
37.2 lbs (16.9 kg).

C E

SAMPLE PART NUMBER
 Specify Inlet and Outlet by
 number from chart

Conversions
 3.0" (76mm)
 3.5" (89mm)
 4.0" (102mm)
 4.5" (114mm)
 6.0" (152mm)

Includes Multipoint Aerial/ Platform Interface

Y5-E		A
Inlet A) 1.5" Offset for VUM B) 1.5" Offset for 4" ANSI 150 1) 3" ANSI 150 2) 4" ANSI 150 3) 6" ANSI 150 4) DN80, PN16 5) DN100, PN16 6) 3" NPT Female 7) 4" NPT Female 8) 3" BSP Male 9) 4" BSP Male		Outlet 1) 3.5"-6 NH Male 2) 3.5"-11 BSP Male 3) 3.5"-8 NPSH Male 4) 4.0"-11 BSP Male 9) Special
L) TFT CODE-RLF * P) TFT CODE-RPF ** Q) 4.5"NH Quick Connect for VUM R) 4.5"NH Quick Connect with 4" ANSI 150 S) 4.5"NH Quick Connect with 4" NPT female T) 4.5"NH Quick Connect with CODE-RLF* U) 4.5"NH Quick Connect with CODE-RPF** X) TFT CODE RRM fits 4" IVUM and HUM		Configuration -L) Ladder -P) Platform -L20) Ladder w/20° Extra Elevation -L30) Ladder w/30° Extra Elevation -L45) Ladder w/45° Extra Elevation

* TFT CODE-RLF fits Extend-A-Gun and Extend-A-Gun RC3
 ** TFT CODE-RPF fits Extend-A-Gun RC4, VUM and HUM

NOZZLE OPTIONS FOR THE MONSOON 1250 MONITOR

RC CONTROLLER OPTIONS

MONSOON 1250

FLOW RATE

MONSOON 1250 RC

MASTER STREAM 1000
Automatic, Selectable, Fixed @ 100 psi

SMOOTH BORE
Stacked Tips
With or Without Vortex 2

150 - 1000 gpm

MASTER STREAM 1000
Automatic, Selectable, FIXED @ 100 psi

SMOOTH BORE
Stacked Tips

MASTER STREAM 1250
Automatic @ 100 psi

SMOOTH BORE
Stacked Tips
With or Without Vortex 2

150 - 1250 gpm

MASTER STREAM 1250
Automatic @ 100 psi

SMOOTH BORE
Stacked Tips

MASTER STREAM 1000 w/FLUSH
Automatic @ 80 to 120 psi or Selectable @ 100 psi

SMOOTH BORE
Stacked Tips
With or Without Vortex 2

300 - 1000 gpm

MASTER STREAM 1000 w/FLUSH
Automatic @ 80 to 120 psi

SMOOTH BORE
Stacked Tips

MASTER STREAM 1250 w/FLUSH
Automatic @ 80 to 120 psi or Selectable or Fixed @ 100 psi

SMOOTH BORE
Stacked Tips
With or Without Vortex 2

300 - 1250 gpm

MASTER STREAM 1250 w/FLUSH
Automatic @ 80 to 120 psi or Fixed @ 100 psi

SMOOTH BORE
Stacked Tips

SMOOTH BORE
Stacked Tips
With or Without Vortex 2

CAFS

SMOOTH BORE
Stacked Tips

BLUETOOTH®

YE-RF-BT
Tactile Touch Controller

YE-BT1
Bluetooth® Adapter

PUMP PANEL

Panel Mount Monitor Operator Station

HANDHELD W/30 FT TETHER

Tethered Monitor Operator Station

WIRELESS HANDHELD

Wireless Monitor Operator Station

YE-RF-RAD-9 Radio Antenna

JOYSTICK IN THE CAB

Joystick Monitor Operator Station with valve control. Available in a gateable or non-gateable version

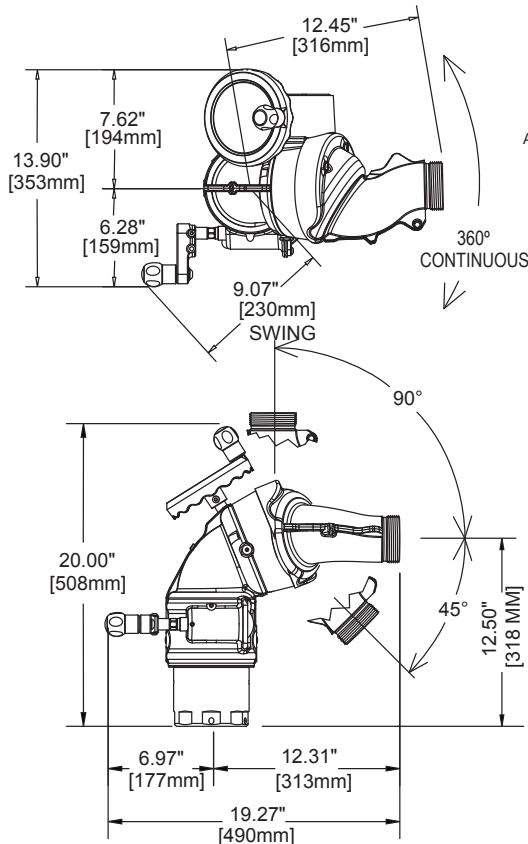
Heavy Duty Water Valve and Interface Box: gateable version or non-gateable version

OEM INSTALLED PRODUCTS

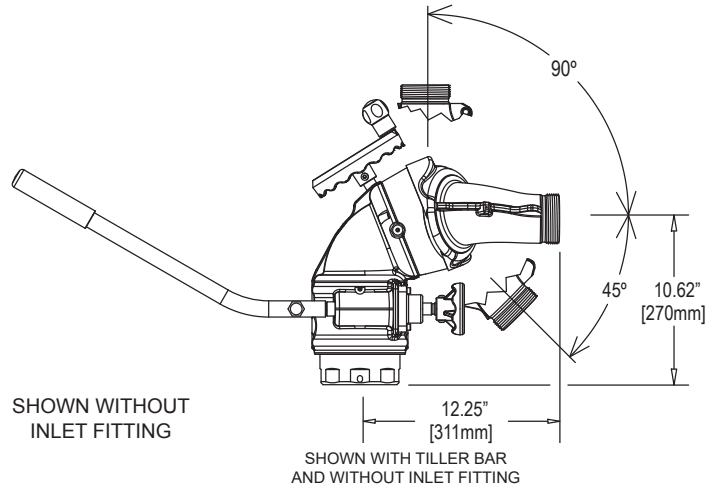
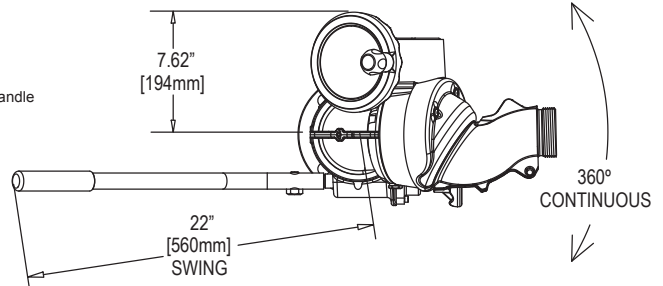
Manually Controlled Monitor - 1250 GPM (4750 l/min)

The Monsoon is a manually operated monitor designed for flows up to 1250 gpm (4750 l/min). Maximum operating pressure is 200 psi (14 bar). Unique patented segmented waterway has only 6 psi (4 bar) friction loss at 1250 gpm (4750 l/min). Water makes very few turns as it travels through the monitor resulting in low friction loss and a far-reaching effective stream. Elevation range is 90° above horizontal to 45° below. Field changeable elevation travel stops at 45° above, 30° above, and 30° below horizontal. The manual model has continuous horizontal rotation with field changeable stops at 45, 90 and 135° either side of a center position. Available with various inlet flanges and threaded fittings. Inlet also made for direct connection to TFT's Extend-A-Gun series and Valve Under Monitor series. Several outlet thread sizes are available. See chart below for model numbers. Main waterway made from hard coat anodized aluminum.

Silver powder coat finish inside and out is standard, except when "- Z" is added to the end of the model number. Models ending in "- Z" have American Red powder coat finish and aluminum crank handles rather than polymer handwheels. Standard outlet is 2.5"NH (64mm) male thread; other outlets available.



Y4-M15A
\$2985.00
25.0 lb (11.4 kg)



Y4-T15A
\$2985.00
26.0 lb (11.8 kg)



SAMPLE PART NUMBER
Specify Inlet and Outlet by
number from chart

Conversions

- 2.5" (64mm)
- 3.0" (76mm) 3.5" (89mm)
- 4.0" (102mm) 4.5" (114mm)
- 6.0" (152mm)

When ordering a Monsoon monitor, choose one option from each category below. For example Model Y4-M25A is a manual aluminum monitor with 4" (102mm) ANSI 150 flange inlet and 2.5" NH (64mm) male threaded outlet. For assistance in ordering, please call 1-800-348-2686 and speak to a nozzle specialist. Flange Specifications are on page 212.

Y4-

			A	
Actuation M) Manual T) Tiller	Inlet 1) 3" ANSI 150 2) 4" ANSI 150 3) 6" ANSI 150 4) DN80, PN16 5) DN100, PN16 6) 3" NPT Female 7) 4" NPT Female 8) 3" BSP Male 9) 4" BSP Male	L) TFT CODE-RLF* P) TFT CODE-RPF** Q) 4.5"NH Quick Connect for VUM R) 4.5"NH Quick Connect with 4" ANSI 150 S) 4.5"NH Quick Connect with 4" NPT female T) 4.5"NH Quick Connect with CODE-RLF* U) 4.5"NH Quick Connect with CODE-RPF** W) Swivel Base for Booster OSC X) TFT CODE-RRM***	Outlet 5) 2.5" NHM 6) 2.5" BSPM 7) 2.5" NPSHM 8) SPECIAL	Optional -Z) Industrial Model with American Red powdered coat and aluminum crank handles (omit for standard silver models)

* TFT CODE-RLF fits Extend-A-Gun and Extend-A-Gun RC3

** TFT CODE-RPF fits Extend-A-Gun RC4, VUM and HUM

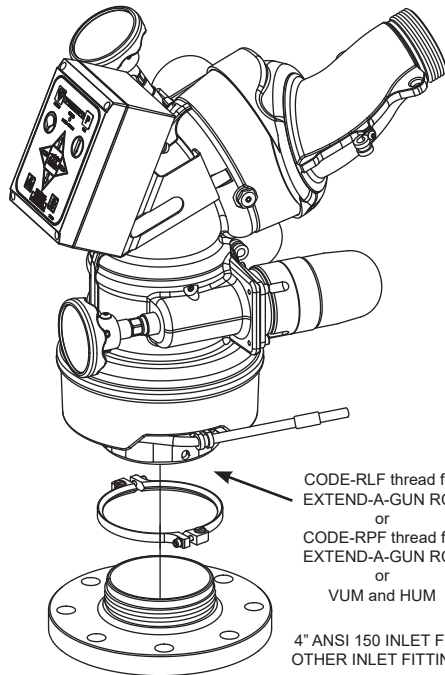
*** TFT Code-RRM fits 4" IVUM and OUM

Remote Controlled Deck Monitor - 1250 GPM (4750 l/min)

Designed for Pumper Applications

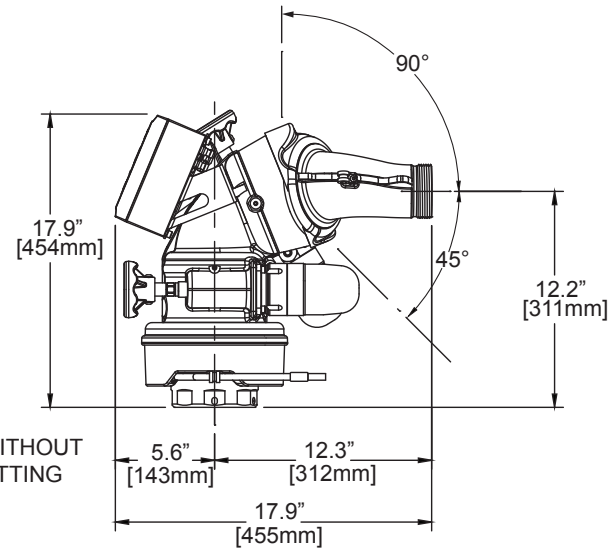
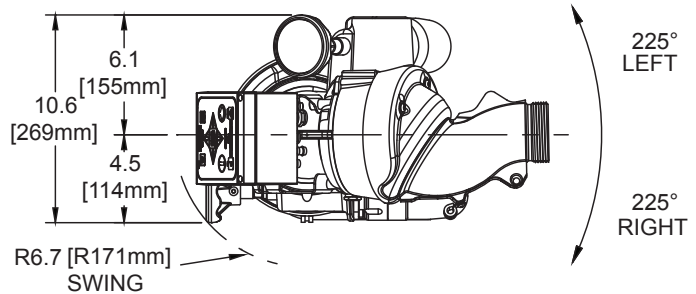
The Monsoon RC for pumper installations is an electric remote controlled monitor that has all the benefits of the Monsoon monitor with the addition of powered operation. It has a greater horizontal sweep angle than the RC model for Ladder or Platform installations. Designed for 12 VDC or 24 VDC operation, selection is automatic. The Monsoon RC comes with a factory installed control panel mounted on the monitor for controlling horizontal rotation, elevation, nozzle pattern and programmable PARK and Oscillate. See page 170-173 for additional control stations. The motor control circuits are factory installed on the monitor and use position encoders and current limiting to protect the drive train at the ends of travel. Unit comes with 30' (10m) of ultra-flexing robotics cable already wired to the monitor so installation effort is minimized. Cable has only four conductors (two for power and two for communications), further easing the installation effort. Cable is enclosed in a unique wire guide that allows 450° of horizontal travel (225° either side of a center position), which is far more reliable than slip rings or coil cords. Knobs for manual override are provided on the horizontal rotation and elevation drive. TFT's Master ERP nozzles plug into the factory installed nozzle power wire. Electric drives and control box are waterproof. Main waterway made from hard coat anodized aluminum. Silver powder coat finish inside and out. Standard outlet is 2.5" NH (64 mm) rigid male thread. Other outlets are available. For wireless operation, purchase wireless operator station and radio/antenna on page 171.

All TFT RC monitors are capable of being controlled by a programmable logic controller with full three-axis position control & feedback using the Allen Bradley EtherNet/IP protocol. Contact factory for details.



CODE-RLF thread fits
EXTEND-A-GUN RC3
or
CODE-RPF thread fits
EXTEND-A-GUN RC4
or
VUM and HUM

4" ANSI 150 INLET FITTING SHOWN
OTHER INLET FITTINGS SIMILAR



Y4-E25A
\$7830.00
37.0 lb (16.8 kg)



SAMPLE PART NUMBER
Specify Inlet and Outlet by
number from chart

SHOWN WITHOUT
INLET FITTING

Conversions

- 2.5" (64mm)
- 3.0" (76mm) 3.5" (89mm)
- 4.0" (102mm) 4.5" (114mm)
- 6.0" (152mm)

When ordering a Monsoon monitor, choose one option from each category below. For example Model Y4E-25A is an electric aluminum monitor with 4" (102mm) ANSI 150 flange inlet and 2.5" NH (64mm) male threaded outlet. For assistance in ordering, please call 1-800-348-2686 and speak to a nozzle specialist. Flange Specifications are on page 212.

Y4-

				A	
Actuation	Inlet		Outlet		Optional
E) Electric	1) 3" ANSI 150 2) 4" ANSI 150 3) 6" ANSI 150 4) DN80, PN16 5) DN100, PN16 6) 3" NPT Female 7) 4" NPT Female 8) 3" BSP Male 9) 4" BSP Male	L) TFT CODE-RLF for Extend-A-Gun RC3 N) TFT CODE-RPF for VUM and HUM P) TFT CODE-RPF Extend-A-Gun RC4 Q) 4.5"NH Quick Connect for VUM + R) 4.5"NH Quick Connect with 4" ANSI 150 + S) 4.5"NH Quick Connect with 4" NPT female + T) 4.5"NH Quick Connect with CODE-RLF* + U) 4.5"NH Quick Connect with CODE-RPF** + X) TFT CODE-RRM fits 4" IVUM and OUM +	5) 2.5" NHM 6) 2.5" BSPM 7) 2.5" NPSHM 9) SPECIAL		-Z) Industrial Model with American Red powdered coat (omit for standard silver models)

* TFT CODE-RLF fits Extend-A-Gun and Extend-A-Gun RC3

** TFT CODE-RPF fits Extend-A-Gun RC4, VUM and HUM

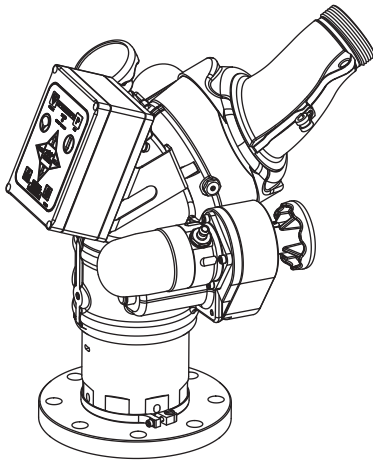
+ Horizontal Axis Travel Limited to 135° left/right

Remote Controlled High Clearance - 1250 GPM (4750 l/min) Designed For Ladder and Platform Applications

The Monsoon RC for Ladder or Platform installations is similar to the standard Monsoon RC. This model of Monsoon RC has the control box mounted at the top to give a reduced swing radius, thereby giving more clearance for Ladder Truck or Platform Installations. Knobs for manual override are provided on the horizontal rotation and elevation drive. Also comes with factory installed travel stops to limit the horizontal travel to 180° (90° either side of a center position). Ladder and Platform models include an electronics enclosure and 10' (3m) of cable to connect signals from the primary control station (such as the turntable toggle switches). These signals can either be hard wired or from a Canbus output module output. The Platform model's electronics enclosure contains an additional 10' (3m) cable to connect signals from a secondary control station (such as from basket toggle switches). The primary control signals will always override any signals from the secondary control or the monitor operator station. The electronics enclosure is factory configured to accept +12/24 VDC signals, but can be reconfigured in field to accept ground signals. This electronics enclosure also includes a relay to indicate when the monitor is in PARK position and has contacts that can be connected into the Canbus or multiplex system. A monitor mounted control panel allows vertical, horizontal nozzle pattern adjustments and programmable PARK and Oscillate. See pages 170-173 for additional control stations. For wireless operation, purchase wireless operator station and radio/antenna on page 171.

Ladder/platform electronics enclosure includes inputs for DEPLOY monitor and INHIBIT monitor.

All TFT RC monitors are capable of being controlled by a programmable logic controller with full three-axis position control & feedback using the Allen Bradley EtherNet/IP protocol. Contact factory for details.



4" ANSI 150 INLET FITTING SHOWN
OTHER INLET FITTINGS SIMILAR

Y4-E25A-L
\$7830.00

37.0 lb (16.8 kg)

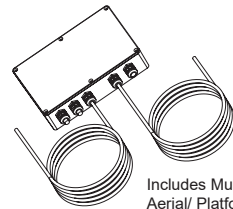


SAMPLE PART NUMBER
Specify Inlet and Outlet by
number from chart

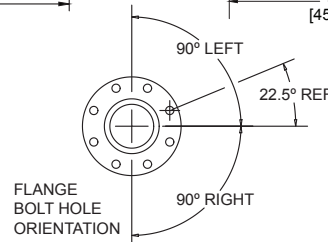
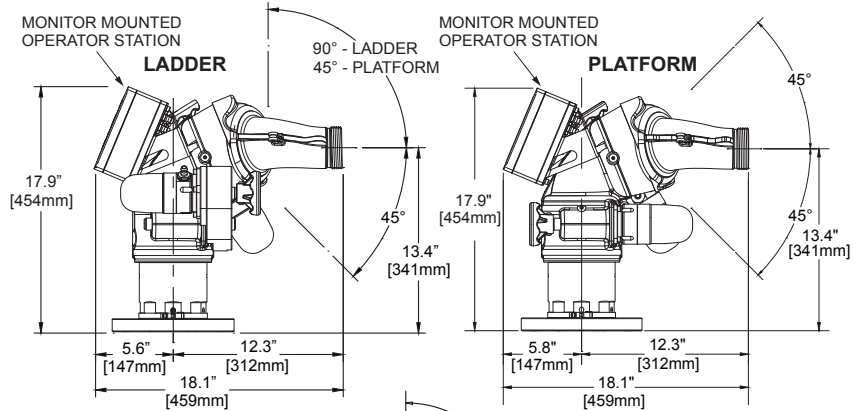
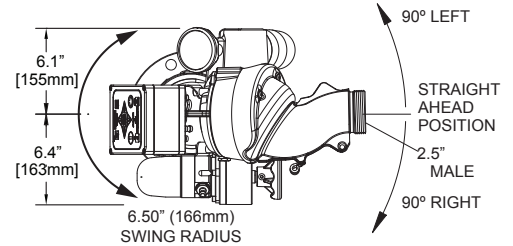
Conversions

- 2.5" (64mm)
- 3.0" (76mm) 3.5" (89mm)
- 4.0" (102mm) 4.5" (114mm)
- 6.0" (152mm)

Example: Y4-E21A-L is an electric aluminum monitor for ladders with a 4" ANSI 150 flange inlet and 3.5 NH male threaded outlet.



Includes Multipoint
Aerial/ Platform Interface



Y4-E

Y4-E		
Inlet	Outlet	
1) 3" ANSI 150	A) 1.5" Offset for VUM	5) 2.5" NHM
2) 4" ANSI 150	B) 1.5" Offset for 4" ANSI 150	6) 2.5" BSPM
3) 6" ANSI 150	L) TFT CODE-RLF*	7) 2.5" NPSHM
4) DN80, PN16	P) TFT CODE-RPF**	9) SPECIAL
5) DN100, PN16	Q) 4.5"NH Quick Connect for VUM	
6) 3" NPT Female	R) 4.5"NH Quick Connect with 4" ANSI 150	
7) 4" NPT Female	S) 4.5"NH Quick Connect with 4" NPT female	
8) 3" BSP Male	T) 4.5"NH Quick Connect with CODE-RLF*+	
9) 4" BSP Male	U) 4.5"NH Quick Connect with CODE-RPF**	
	X) TFT CODE-RRM fits 4" IVUM and OUM	

A

A
Configuration
-L) Ladder
-P) Platform

* TFT CODE-RLF fits Extend-A-Gun and Extend-A-Gun RC3

** TFT CODE-RPF fits Extend-A-Gun RC4, VUM and HUM

NOZZLE OPTIONS FOR THE MONSOON 2000 MONITOR

RC CONTROLLER OPTIONS

MONSOON 2000

FLOW RATE

MONSOON 2000 RC



MASTER STREAM 2000 Automatic @ 80-120 psi

SMOOTH BORE Stacked Tips

300 - 2000 gpm

MASTER STREAM 2000 RC Automatic @ 80-120 psi

SMOOTH BORE Stacked Tips



SMOOTH BORE Stacked Tips

CAFS

SMOOTH BORE Stacked Tips

BLUETOOTH[®]

YE-RF-BT Tactile Touch Controller

YE-BT1 Bluetooth[®] Adapter

Bluetooth

PUMP PANEL

Panel Mount Monitor Operator Station

HANDHELD W/30 FT TETHER

Tethered Monitor Operator Station

WIRELESS HANDHELD

Wireless Monitor Operator Station

YE-RF-RAD-9 Radio Antenna

JOYSTICK IN THE CAB

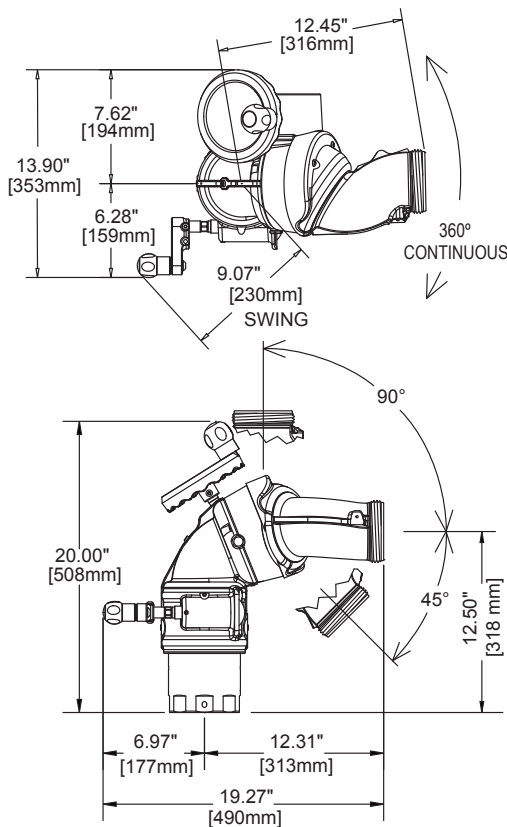
Joystick Monitor Operator Station with valve control

OEM INSTALLED PRODUCTS

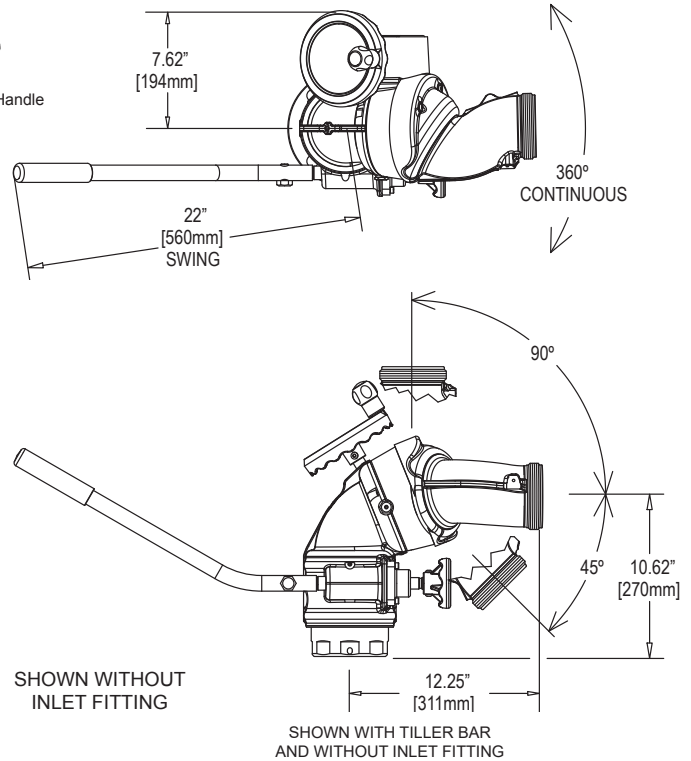
Manually Controlled Monitor - 2000 GPM (7600 l/min)

The Monsoon is a manually operated monitor designed for flows up to 2000 gpm (7600 l/min). Maximum operating pressure is 200 psi (14 bar). Unique patented segmented waterway has only 15 psi (1 bar) friction loss at 2000 gpm. Water makes very few turns as it travels through the monitor resulting in low friction loss and a far-reaching effective stream. Elevation range is 90° above horizontal to 45° below. Field changeable elevation travel stops at 45° above, 30° above, and 30° below horizontal. The manual model has continuous horizontal rotation with field changeable stops at 45, 90 and 135° either side of a center position. Available with various inlet flanges and threaded fittings. Inlet also made for direct connection to TFT's Extend-A-Gun series and Valve Under Monitor series. Several outlet thread sizes are available. See chart on next page for model numbers. Main waterway made from hard coat anodized ANSI 356-T6 aluminum.

Silver powder coat finish inside and out is standard, except when "- Z" is added to the end of the model number. Models ending in "- Z" have American Red powder coat finish and aluminum crank handles rather than polymer handwheels. Standard outlet is 3.5"NH (89 mm) male thread; other outlets available.



Y4-M11A
\$4235.00
25.0 lb (11.4 kg)



Y4-T11A
\$4235.00
26.0 lb (11.8 kg)



Conversions

- 3.0" (76mm) 3.5" (89mm)
- 4.0" (102mm) 4.5" (114mm)
- 6.0" (152mm)

SAMPLE PART NUMBER
Specify Inlet and Outlet by
number from chart

When ordering a Monsoon monitor, choose one option from each category below. For example Model Y4-M21A is a manual aluminum monitor with 4" (102mm) ANSI 150 flange inlet and 3.5" NH (89mm) male threaded outlet. For assistance in ordering, please call 1-800-348-2686 and speak to a nozzle specialist. Flange Specifications are on page 212.

Y4-

			A
Actuation M) Manual T) Tiller	Inlet 1) 3" ANSI 150 2) 4" ANSI 150 3) 6" ANSI 150 4) DN80, PN16 5) DN100, PN16 6) 3" NPT Female 7) 4" NPT Female 8) 3" BSP Male 9) 4" BSP Male	L) TFT CODE-RLF* P) TFT CODE-RPF** Q) 4.5"NH Quick Connect for VUM R) 4.5"NH Quick Connect with 4" ANSI 150 S) 4.5"NH Quick Connect with 4" NPT female T) 4.5"NH Quick Connect with CODE-RLF* U) 4.5"NH Quick Connect with CODE-RPF** W) Swivel Base for Booster OSC X) TFT CODE-RRM***	Outlet 1) 3.5"-6 NH Male 2) 3.5"-11 BSP Male 3) 3.5"-8 NPSH Male 4) 4.0"-11 BSP Male 9) Special
			Optional -Z) Industrial Model with American Red powdered coat and aluminum crank handles (omit for standard silver models)

* TFT CODE-RLF fits Extend-A-Gun and Extend-A-Gun RC3

** TFT CODE-RPF fits Extend-A-Gun RC4, VUM and HUM

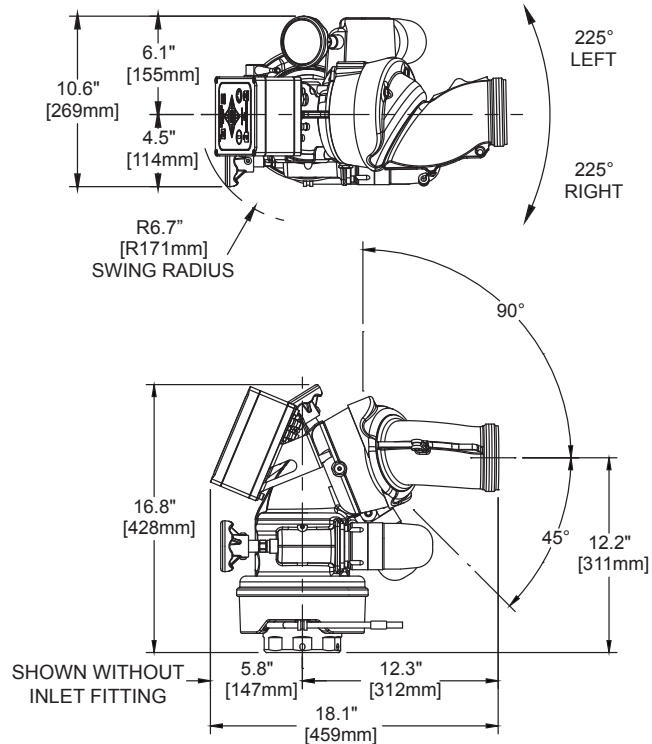
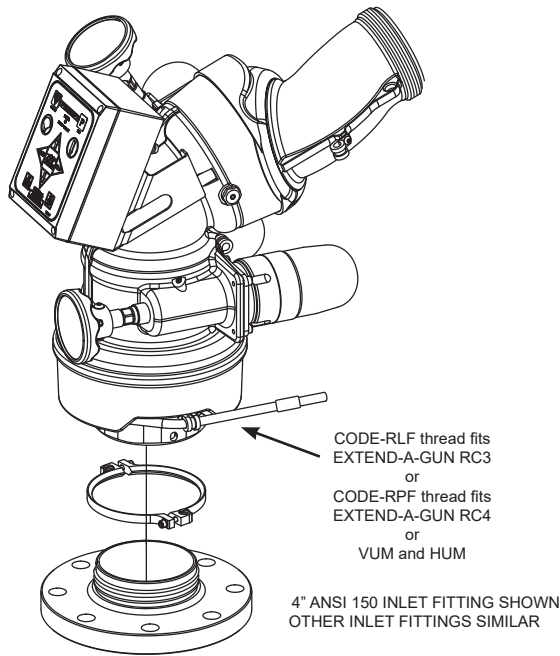
*** TFT Code-RRM fits 4" IVUM and OUM

Remote Controlled Deck Monitor - 2000 GPM (7600 l/min)

Designed for Pumper Applications

The Monsoon RC for pumper installations is an electric remote controlled monitor that has all the benefits of the Monsoon monitor with the addition of powered operation. It has a greater horizontal sweep angle than the RC model for Ladder or Platform installations. Designed for 12 VDC or 24 VDC operation, selection is automatic. The Monsoon RC comes with a factory installed control panel mounted on the monitor for controlling horizontal rotation, elevation, nozzle pattern and programmable PARK and Oscillate. See page 174-177 for additional control stations. The motor control circuits are factory installed on the monitor and use position encoders and current limiting to protect the drive train at the ends of travel. Unit comes with 30 feet (9m) of ultra-flexing robotics cable already wired to the monitor so installation effort is minimized. Cable has only four conductors (two for power and two for communications), further easing the installation effort. Cable is enclosed in a unique wire guide that allows 450° of horizontal travel (225° either side of a center position), which is far more reliable than slip rings or coil cords. Knobs for manual override are provided on the horizontal rotation and elevation drive. TFT's Master ERP nozzles plug into the factory installed nozzle power wire. Electric drives and control box are waterproof. Main waterway made from hard coat anodized ANSI 356-T6 aluminum. Silver powder coat finish inside and out. Standard outlet is 3.5" NH (89mm) rigid male thread. Other outlets are available. For wireless operation, purchase wireless operator station and radio/antenna on page 171.

All TFT RC monitors are capable of being controlled by a programmable logic controller with full three-axis position control & feedback using the Allen Bradley EtherNet/IP protocol. Contact factory for details.



Y4-E11A
\$9050.00
37.0 lb (16.8 kg)



SAMPLE PART NUMBER
Specify Inlet and Outlet by
number from chart

Conversions

3.0" (76mm) 3.5" (89mm)
4.0" (102mm) 4.5" (114mm)
6.0" (152mm)

When ordering a Monsoon monitor, choose one option from each category below. For example Model Y4-E21A is a manual aluminum monitor with 4" (102mm) ANSI 150 flange inlet and 3.5" NH (89mm) male threaded outlet. For assistance in ordering, please call 1-800-348-2686 and speak to a nozzle specialist. Flange Specifications are on page 212.

Y4-

			A	
Actuation E) Electric	Inlet 1) 3" ANSI 150 2) 4" ANSI 150 3) 6" ANSI 150 4) DN80, PN16 5) DN100, PN16 6) 3" NPT Female 7) 4" NPT Female 8) 3" BSP Male 9) 4" BSP Male	L) TFT CODE-RLF for Extend-A-Gun RC3 N) TFT CODE-RPF for VUM and HUM P) TFT CODE-RPF Extend-A-Gun RC4 Q) 4.5"NH Quick Connect for VUM + R) 4.5"NH Quick Connect with 4" ANSI 150 + S) 4.5"NH Quick Connect with 4" NPT female + T) 4.5"NH Quick Connect with CODE-RLF* + U) 4.5"NH Quick Connect with CODE-RPF** + X) TFT CODE-RRMfits 4" IVUM and OUM +	Outlet 1) 3.5"-6 NH Male 2) 3.5"-11 BSP Male 3) 3.5"-8 NPSH Male 4) 4.0"-11 BSP Male 9) Special	Optional -Z) Industrial Model with American Red powdered coat (omit for standard silver models)

* TFT CODE-RLF fits Extend-A-Gun and Extend-A-Gun RC3

** TFT CODE-RPF fits Extend-A-Gun RC4, VUM and HUM

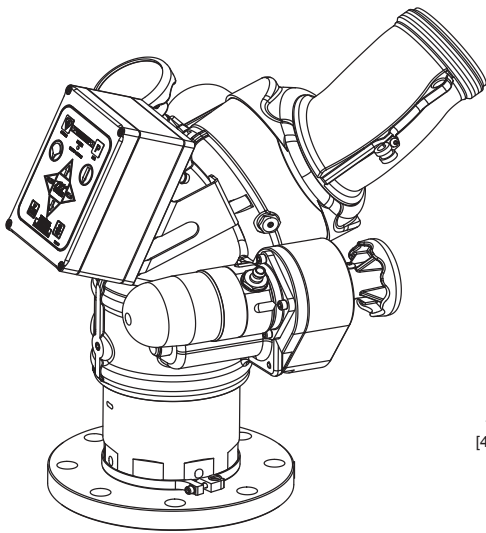
+ Horizontal Axis Travel Limited to 135° left/right

Remote Controlled High Clearance - 2000 GPM (7600 l/min) Designed For Ladder and Platform Applications

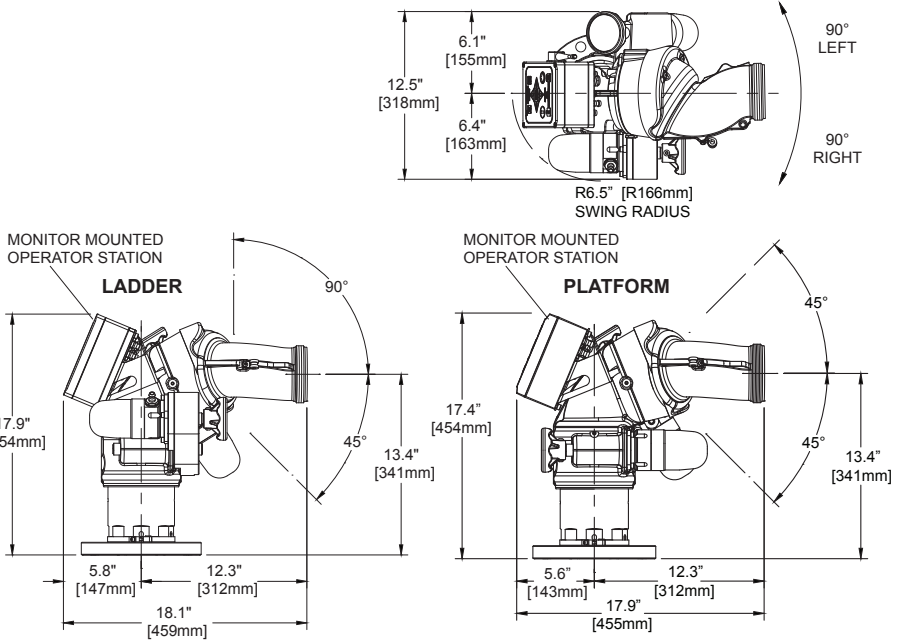
The Monsoon RC for Ladder or Platform installations is similar to the standard Monsoon RC. Knobs for manual override are provided on the horizontal rotation and elevation drive. Also comes with factory installed travel stops to limit the horizontal travel to 180° (90° either side of a center position). Ladder and Platform models include an electronics enclosure and 10' (3m) of cable to connect signals from the primary control station (such as the turntable toggle switches). These signals can either be hard wired or from a Canbus output module output. The Platform model's electronics enclosure contains an additional 10' (3m) cable to connect signals from a secondary control station (such as from basket toggle switches). The primary control signals will always override any signals from the secondary control or the monitor operator station. The electronics enclosure is factory configured to accept +12/24 VDC signals, but can be reconfigured in field to accept ground signals. This electronics enclosure also includes a relay to indicate when the monitor is in PARK position and has contacts that can be connected into the Canbus or multiplex system. A monitor mounted control panel allows vertical, horizontal nozzle pattern adjustments and programmable PARK and Oscillate. For wireless operation, purchase wireless operator station package on page 171.

Ladder/platform electronics enclosures includes inputs for DEPLOY monitor, INHIBIT monitor

All TFT RC monitors are capable of being controlled by a programmable logic controller with full three-axis position control & feedback using the Allen Bradley EtherNet/IP protocol. Contact factory for details.



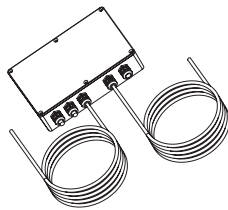
4" ANSI 150 INLET FITTING SHOWN
OTHER INLET FITTINGS SIMILAR



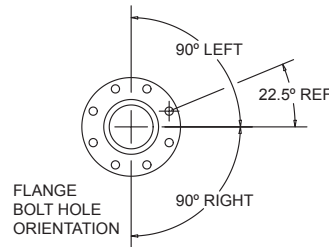
Y4-E21A-L
\$9050.00
37.0 lb (16.8 kg)



SAMPLE PART NUMBER
Specify Inlet and Outlet by
number from chart



Includes Multipoint
Aerial/ Platform Interface



FLANGE
BOLT HOLE
ORIENTATION

Y4-E

Conversions
3.0" (76mm) 3.5" (89mm)
4.0" (102mm) 4.5" (114mm)
6.0" (152mm)

Example: Y4-E21A-L is an electric aluminum monitor for ladders with a 4" ANSI 150 flange inlet and 3.5 NH (89mm) male threaded outlet.

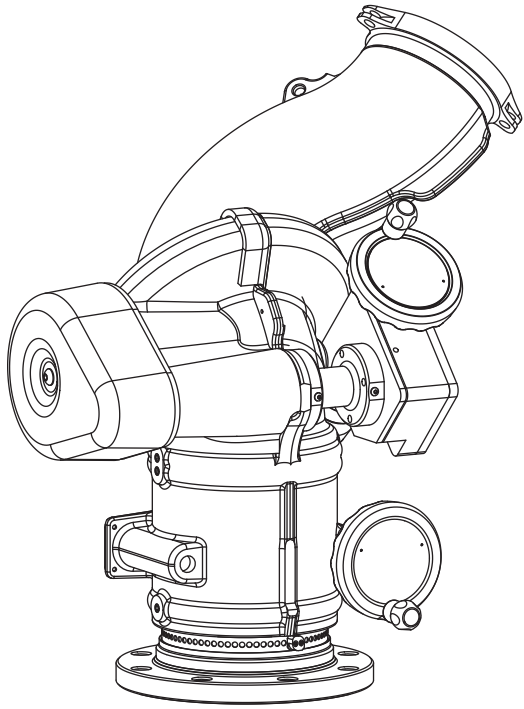
Y4-E		A
Inlet	Outlet	Configuration
1) 3" ANSI 150	1) 3.5"-6 NH Male	-L) Ladder
2) 4" ANSI 150	2) 3.5"-11 BSP Male	-P) Platform
3) 6" ANSI 150	3) 3.5"-8 NPSH Male	
4) DN80, PN16	4) 4.0"-11 BSP Male	
5) DN100, PN16	9) Special	
6) 3" NPT Female		
7) 4" NPT Female		
8) 3" BSP Male		
9) 4" BSP Male		
L) TFT CODE-RLF*		
P) TFT CODE-RPF**		
Q) 4.5"NH Quick Connect for VUM +		
R) 4.5"NH Quick Connect with 4" ANSI 150		
S) 4.5"NH Quick Connect with 4" NPT female		
T) 4.5"NH Quick Connect with CODE-RLF*		
U) 4.5"NH Quick Connect with CODE-RPF*		
X) TFT CODE-RRM fits 4" IVUM and OUM		

* TFT CODE-RLF fits Extend-A-Gun and Extend-A-Gun RC

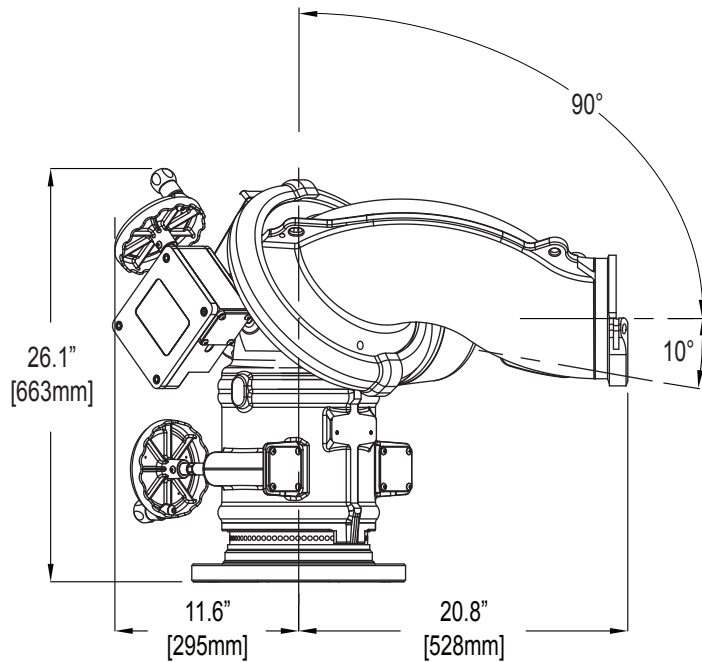
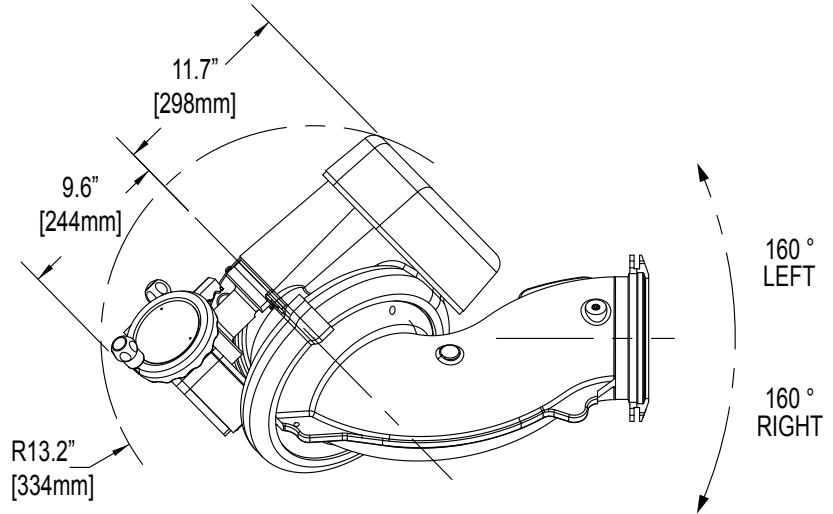
** TFT CODE-RPF fits Extend-A-Gun RC4, VUM and HUM

Manual Monitor - Up To 8000 GPM (30000 l/min)

The Tsunami monitor is capable of flowing 8000 gpm (30000 l/min). Waterway with turning vane has only 15 psi (1 bar) friction loss at 8000 gpm (30000 l/min). Elevation range is 90° above horizontal to 10° below. Field changeable elevation travel stops. Field changeable horizontal travel stops. Dual handwheels are provided for horizontal rotation and elevation drive. Main waterway made from hard coat anodized aluminum. Silver powder coat finish inside and out.



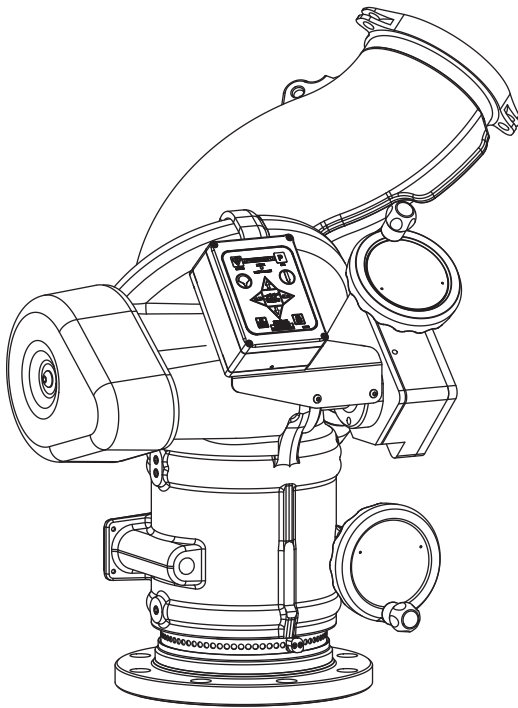
Y8-M11A
\$46,000.00
138.0 lb (62.6 kg)
Inlet is 8" ANSI 150
Outlet is Quick Connect



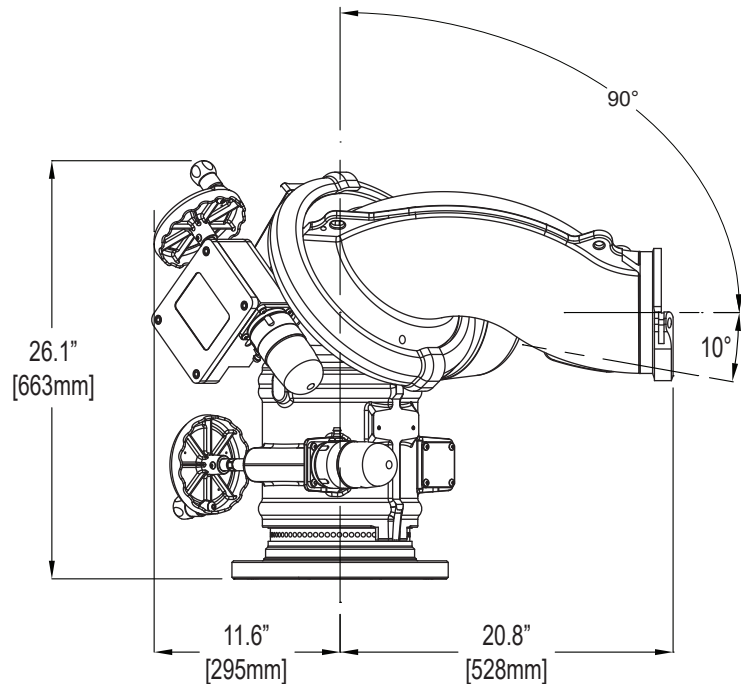
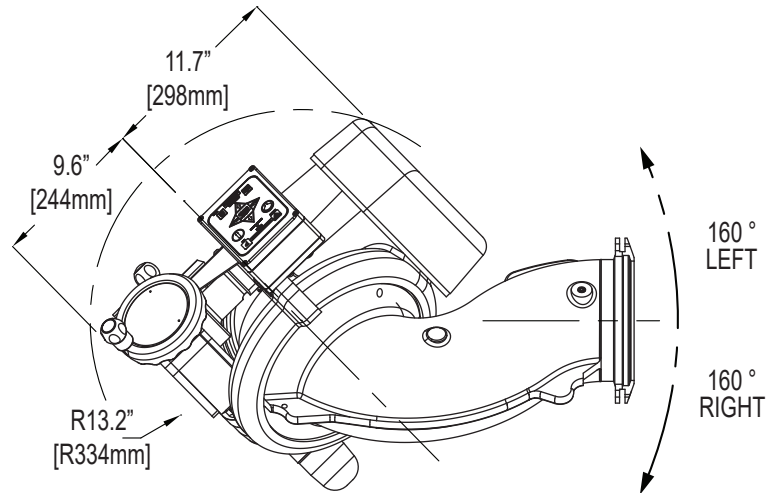
Remote Controlled Monitor - Up To 8000 GPM (30000 l/min)

The Tsunami RC is an electric remote controlled monitor capable of flowing 8000 gpm (30000 l/min). Waterway with turning vane has only 15 psi (1 bar) friction loss at 8000 gpm (30000 l/min). Elevation range is 90° above horizontal to 10° below. Field changeable elevation travel stops. Horizontal travel is 320° (160° either side of a center position). Field changeable horizontal travel stops. Designed for 12 VDC or 24 VDC operation, selection is automatic. The Tsunami monitor comes with a control panel on the monitor for horizontal rotation, elevation, nozzle pattern, programmable PARK and Oscillate. The motor control circuits use position encoders and current limiting to protect the drive train at the ends of travel. Unit has waterproof factory installed plug on power wire for easy removal or reinstallation. Handwheel for manual override are provided on the horizontal rotation and elevation drive. Electric drives and control box are waterproof. Main waterway made from hard coat anodized aluminum. Silver powder coat finish inside and out. For wireless operation, purchase wireless operator station and radio/antenna on page 171.

FOR VERTICAL MOUNTING ONLY



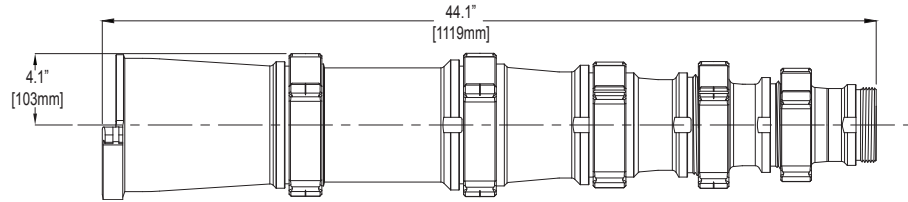
Y8-E11A
\$50,000.00
 140.0 lb (63.5 kg)
 Inlet is 8" ANSI 150
 Outlet is Quick Connect



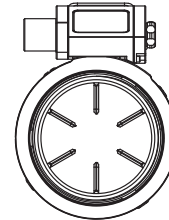
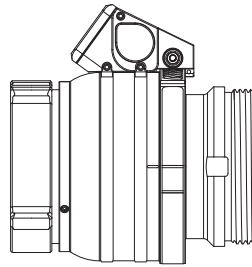
TSUNAMI™ STACKED TIPS

Designed for monitor use up to 8000 gpm (30280 l/min), these stacked tips are hard coat anodized, allow four orifice options, have a built in stream straightener and pressure/flow charts labeled on each tip. Orifice openings are 5.125", 4.5", 4.0", and 3.5". (130mm, 114mm, 102mm and 89mm). Quick connect inlet coupling for Tsunami monitor is standard.

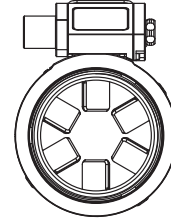
YST-8NX
\$3800.00
37.0 lb (16.8 kg)



VORTEX® 6 ER



Straight Stream



Dispersed Pattern

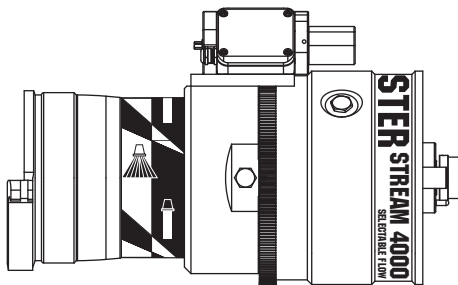
SVXE
\$7400.00
19.90 lbs (9.0 kg)
11.00" Long (27.9 cm)

SVXE - VORTEX 6 ER - 6" NHF (152mm) X 6" NHM (152mm) - Designed for monitor use up to 8000 gpm (30280 l/min), it is intended for installation behind the Tsunami smooth bore nozzles for use with water or fire fighting foam solutions. Six short vanes in the bore of the Vortex reduce turbulence in straight stream. Actuating from "STREAM" to "VORTEX" causes the vanes to pivot proportionally. This induces a gentle spin in the water to create a uniformly dispersed Vortex stream pattern, resulting in virtually no friction loss regardless of which stream pattern is selected. The vanes also allow large debris to easily pass through the Vortex. Manual override included.

MASTER STREAM 4000 ER

The Master Stream 4000 ER series is a super-high volume nozzle capable of flowing up to 4000 gpm (16000 l/min). The automatic version incorporates field adjustable nozzle pressure regulation capable of constant nozzle pressures from 80-120 psi (6-8 bar). The Selectable version has flow settings of 2000 and 4000 gpm (8000 and 16000 l/min) at 100 psi (7 bar). Continuously variable pattern from straight stream to wide fog. Operates on 12/24V the full 6" (152mm) waterway actuates from straight stream to full fog is 30 seconds. Hard coat anodized aluminum for maximum resistance to corrosion and wear. Quick connect coupling for Tsunami monitor and 6" (152mm) ANSI flange inlet options available.

MT-RA-6ASA
\$10,000.00
54.00 lbs (24.4 kg)
19.00" Long (49.2 cm)
13.00" Width (33.0 cm)
10.00" Height (25.4 cm)



THREE BIG WATER NOZZLE OPTIONS!



MASTER STREAM 4000 ER

- Available in Automatic or Selectable
- Automatic: Adjustable Pressure with flow range of 600 to 4000 GPM (2400 to 16000 l/min)
- Selectable: 2000 and 4000 GPM (8000 and 16000 l/min) at 100 psi (7 bar)
- Available with either the Tsunami quick connect or 6" (152mm) ANSI 150 inlet
- Electric Remote nozzle that easily adjusts from straight stream to a dense fog pattern

The TSUNAMI is TFT's largest

highest volume industrial monitor for fixed, trailer, or apparatus use.

The monitor offers 2700 to 8000 gpm (10,000 to 30,000 l/min) flows in manual and RC versions.

VORTEX VERSATILITY



- Add to stacked tips for the ability to go from Straight Stream to Dispersed pattern with no loss to stream flow !
- Available in Electric Remote or Manual

STACKED TIPS



SMOOTH BORE SIZE: 3.5" (90mm)
FLOW RATE: 3260 gpm (12,340 l/min)
NOZZLE PRESSURE: 80psi (6 bar)
Industry Standard for Master Stream Stacked Tips



SMOOTH BORE SIZE: 4.5" (115mm)
FLOW RATE: 5380 gpm (20,360 l/min)
NOZZLE PRESSURE: 80psi (6 bar)
Industry Standard for Master Stream Stacked Tips



SMOOTH BORE SIZE: 4" (100mm)
FLOW RATE: 4250 gpm (16,090 l/min)
NOZZLE PRESSURE: 80psi (6 bar)
Industry Standard for Master Stream Stacked Tips



SMOOTH BORE SIZE: 5.125" (130mm)
FLOW RATE: 6980 gpm (26,420 l/min)
NOZZLE PRESSURE: 80psi (6 bar)
Industry Standard for Master Stream Stacked Tips



OEM INSTALLED PRODUCTS

VALVE KITS

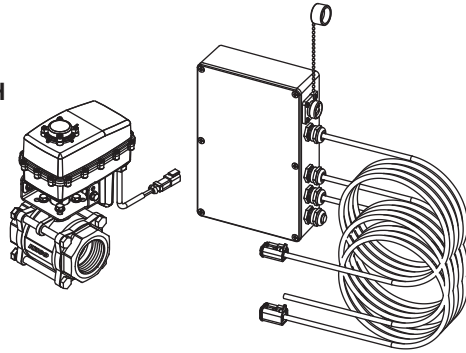
Valve operation is controlled through the **Y4E-JS-52 Joystick Monitor Operator Station** or the flow open/close button on any TFT monitor operator station membrane switch. The interface box includes pre-wired 20' cables with receptacles for monitor and water valve plug connections, a 15' cable for power connection to monitor control system, a panel-mounted receptacle with cap for the Y4E-JS-52 Joystick Monitor Operator Station connection, and an unused strain relief fitting for an additional operator station cable. The interface box and all fittings are sealed to keep water out so that it can be mounted outside the truck cab in a convenient location for connections to components.

YE-VK-PF

\$2175.00

8.5 lbs (3.8 kg)

4.80"L x 7.10"W x 9.40"H
(12.2 x 18.0 x 23.9cm)



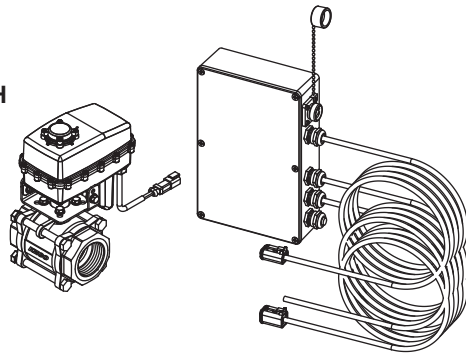
YE-VK-PF - VALVE KIT This valve kit includes a heavy-duty 1.5" NPT (38mm) water valve and an interface box for simplified 12/24 volt wire connections to the monitor control system. The valve is a 1.5" NPT (38mm) full port stainless steel ball valve with integral electric actuator control and cable with pre-wired plug.

YE-VK-PH

\$2175.00

9.0 lb (4.0kg)

5.40"L x 7.10"W x 10.0"H
(13.7 x 18.0 x 25.4cm)



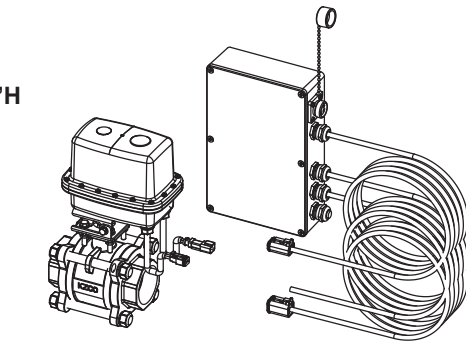
YE-VK-PH - VALVE KIT This valve kit includes a heavy-duty 2" NPT (50mm) water valve and an interface box for simplified 12/24 volt wire connections to the monitor control system. The valve is a 2" NPT (50mm) full port stainless steel ball valve with integral electric actuator control and cable with pre-wired plug.

YE-VK-PJ

\$3190.00

23.0 lbs (13.2 kg)

6.70"L x 8.60"W x 13.70"H
(17.0 x 21.8 x 34.8 cm)



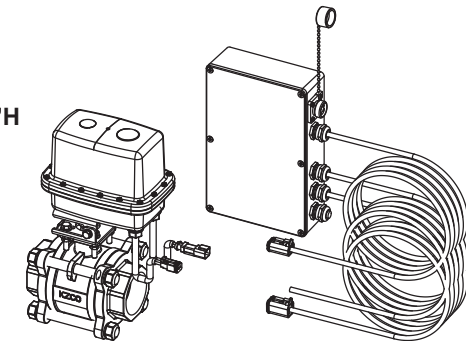
YE-VK-PJ - VALVE KIT This valve kit includes a heavy-duty 2.5" NPT (64mm) water valve and an interface box for simplified 12/24 volt wire connections to the monitor control system. The valve is a 2.5" NPT (64mm) full port stainless steel ball valve with integral electric actuator control and cables with pre-wired plugs.

YE-VK-PL

\$3795.00

29.0 lbs (13.2 kg)

7.40"L x 8.90"W x 14.30"H
(18.8 x 22.6 x 36.3 cm)



YE-VK-PL - VALVE KIT This valve kit includes a heavy-duty 3" NPT (76mm) water valve and an valve interface control box for simplified 12/24 volt wire connections to the monitor control system. The valve is a 3" NPT (76mm) full port stainless steel ball valve with integral electric actuator control and cables with pre-wired plugs.

Valve Interface Control Box

Weight 7.0 lb (3.1kg)

Overall Dimensions:

L 8.80" (22.4cm) x W 5.80" (14.7cm) x H 2.20" (5.6cm)
(Additional clearance needed for fittings and cable)

Valve operation is controlled through the **Y4E-JS-GT Joystick Monitor Operator Station** or the flow open/close button on any TFT monitor operator station membrane switch. The interface box includes pre-wired 20' (6m) cables with receptacles for monitor and water valve plug connections, a 15' cable for power connection to monitor control system, a panel-mounted receptacle with cap for the Y4E-JS-GT Joystick Monitor Operator Station connection, and an unused strain relief fitting for an additional operator station cable. The interface box and all fittings are sealed to keep water out so that it can be mounted outside the truck cab in a convenient location for connections to components.

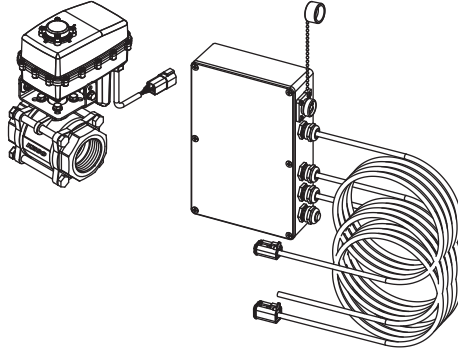
YE-VKG-PD

\$2175.00

8.5 lbs (3.8 kg)

4.80"L x 7.10"W x 8.40"H

(12.2 x 18.0 x 23.9cm)



YE-VKG-PD - GATEABLE VALVE KIT - This valve kit includes a heavy-duty 1" NPT (25mm) water valve and an interface box for simplified 12/24 volt wire connections to the monitor control system. The valve is a 1" NPT (25mm) full port stainless steel ball valve with integral electric actuator control with valve opening position sensing and cable with pre-wired plug.

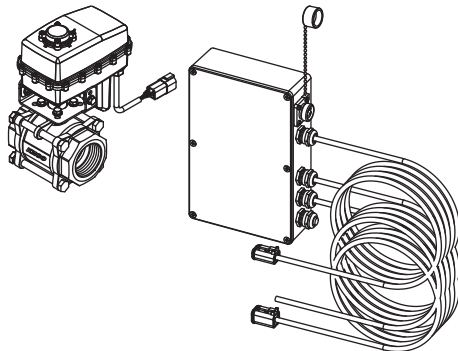
YE-VKG-PF

\$2175.00

9.0 lb (4.0kg)

4.80"L x 7.10"W x 9.40"H

(13.7 x 18.0 x 25.4cm)



YE-VKG-PF - GATEABLE VALVE KIT - This valve kit includes a heavy-duty 1.5" NPT (38mm) water valve and an interface box for simplified 12/24 volt wire connections to the monitor control system. The valve is a 1.5" NPT (38mm) full port stainless steel ball valve with integral electric actuator control with valve opening position sensing and cable with pre-wired plug.

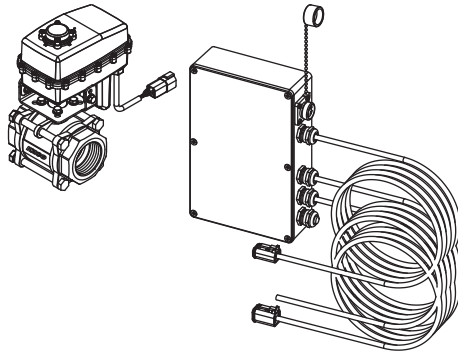
YE-VKG-PH

\$2175.00

9.0 lb (4.0kg)

5.40"L x 7.10"W x 10.0"H

(13.7 x 18.0 x 25.4cm)



YE-VKG-PH - GATEABLE VALVE KIT - This valve kit includes a heavy-duty 2" NPT (50mm) water valve and an interface box for simplified 12/24 volt wire connections to the monitor control system. The valve is a 2" NPT (50mm) full port stainless steel ball valve with integral electric actuator control with valve opening position sensing and cable with pre-wired plug.

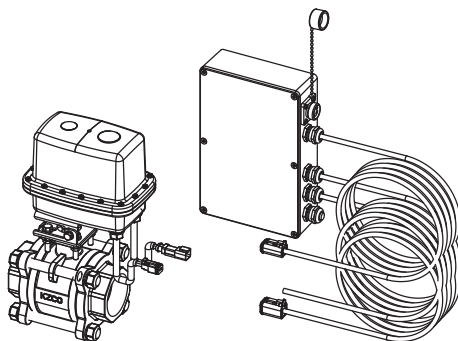
YE-VKG-PL

\$4460.00

33.5 lb (15.2kg)

5.40"L x 21.0"W x 14.3"H

(13.7 x 21.0 x 36.2cm)



YE-VKG-PL - GATEABLE VALVE KIT - This valve kit includes a heavy-duty 3" NPT (76mm) water valve and an interface box for simplified 12/24 volt wire connections to the monitor control system. The valve is a 3" NPT (76mm) full port stainless steel ball valve with integral electric actuator control with valve opening position sensing and cable with pre-wired plug.

REMOTE CONTROL ACCESSORIES

These accessories and components are for use with EF1 RC, Tornado RC, Hurricane RC, Typhoon RC, Monsoon RC and Tsunami RC and allow control of the monitors at remote locations. The Panel Mount, Tethered and Wireless Operator Stations have a waterproof membrane switch to control vertical, horizontal, and nozzle patterns, as well as the programmable PARK and Oscillate. Power, PARK and Oscillate indicator lights are standard. Two Auxiliary buttons are included and require the Remote Auxiliary Function Relay Interface Box or valve kit or Extend-A-Gun RC to control lights, valve controllers or other equipment. All operator stations are equipped with "last button pressed" software so any button presses from the operator station will take over control from any other operator station. These operator stations can also be configured, by an internal DIP switch, as a "master" station so that commands from the operator station cannot be overridden.

Y4E-RP-D
\$1295.00
2.7 lb (1.2kg)
8.00" x 5.625" x 3.5"
(20.3 x 14.3 x 8.9 cm)



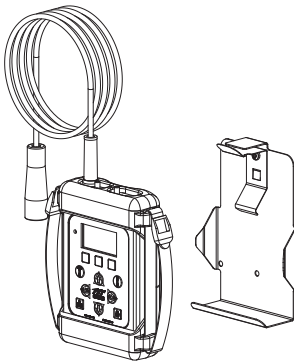
Y4E-RP-D PANEL MOUNT MONITOR OPERATOR STATION WITH DISPLAY – Allows RC monitors to be controlled from a remote location and is designed to be mounted in a panel. The unit is easily configurable for multi-monitor control. This will allow a user to control up to ten TFT RC monitors from one operator station. This operator station includes a display for advanced system feedback and a backlit control panel for improved visibility of controls in low-light conditions. All terminal blocks for wire connections are removable for easy termination. The enclosure has an O-ring seal, liquid tight strain relief fittings with O-rings, and a membrane switch to keep water out. A 30' long cable for incoming power and communication connections is supplied pre-connected. This operator station is equipped with "last button pressed" software or can be configured as a "master" station.

Y4E-RP
\$1045.00
2.7 lb (1.2kg)
8.00" x 5.625" x 3.5"
(20.3 x 14.3 x 8.9 cm)



Y4E-RP PANEL MOUNT MONITOR OPERATOR STATION - This operator station allows the electric monitor to be controlled from a remote location and is designed to be flush mounted in a panel. This station may be used as the central location for terminating the wires from the monitor, incoming power, or hard wired inputs. All terminal blocks for wire connections are removable for easy terminating. The enclosure has an o-ring seal, liquid tight strain relief fittings with o-rings, and a membrane switch to keep water out. A 30' long cable for incoming power and communication connections is supplied pre-connected. This operator station is equipped with "last button pressed" software or can be configured as a "master" station.

Y4E-CT-10-D
\$1345.00
7.6 lb (3.4kg)
7.30" (18.4cm)



Y4E-CT-10-D TETHERED MONITOR OPERATOR STATION WITH DISPLAY - Allows RC monitors to be controlled from a handheld pendant and is supplied with a stainless steel mounting bracket to securely store the unit. The unit is easily configurable for multi-monitor control. This will allow a user to control up to ten TFT RC monitors from one operator station. This operator station includes a display for advanced system feedback and a backlit control panel for improved visibility of controls in low-light conditions. The enclosure has an O-ring seal, liquid tight strain relief fitting with O-rings, and a membrane switch to keep water out. The pendant receptacle can be connected to the Panel Mount Operator Station or directly to the monitor through a customer supplied terminal block. A cable is supplied pre-connected to the panel-mounted receptacle and includes waterproof cap and chain. The Tethered Control Station is supplied with a 10' long pre-connected cable that plugs into a panel-mounted receptacle. This operator station is equipped with "last button pressed" software or can be configured as a "master" station. Mounting bracket meets NFPA 1901 9G force requirements which ensures the security of equipment and safety of personnel.

Y4E-CT-30-D
\$1405.00
7.6 lb (3.4kg)
7.30" (18.4cm)

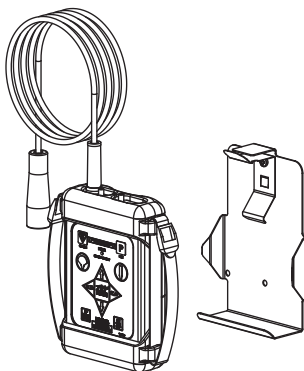
Y4E-CT-30-D TETHERED MONITOR OPERATOR STATION - Same as above but the Tethered Control Station is supplied with a 30' (9m) long pre-connected cable.

Y4E-CT-100-D
\$1430.00
7.6 lb (3.4kg)
7.30" (18.4cm)

Y4E-CT-100-D TETHERED MONITOR OPERATOR STATION - Same as above but the Tethered Control Station is supplied with a 100' (30m) long pre-connected cable.

Contact customer service for longer tether.

Y4E-CT-10
\$1095.00
7.6 lb (3.4kg)
7.30" (18.4cm)



Y4E-CT-10 TETHERED MONITOR OPERATOR STATION - This operator station allows the electric monitor to be controlled from a handheld pendant. This operator station is supplied with a stainless steel mounting bracket to securely store the unit. The enclosure has an o-ring seal, liquid tight strain relief fitting with o-rings, and a membrane switch to keep water out. Any commands from this operator station will override commands made on the monitor control box. The pendant receptacle can be connected to the Panel Mount Operator Station or directly to the monitor through a customer supplied terminal block. A cable is supplied pre-connected to the panel-mounted receptacle and includes waterproof cap and chain. The Tethered Control Station is supplied with a 10' long pre-connected cable. This pendant plugs into a panel-mounted receptacle. This operator station is equipped with "last button pressed" software or can be configured as a "master" station. Mounting bracket meets NFPA 1901 9G force requirements which ensures the security of equipment and safety of personnel.

Y4E-CT-30
\$1190.00
7.6 lb (3.4kg)
7.30" (18.4cm)

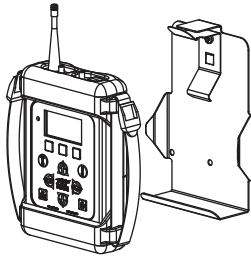
Y4E-CT-30 TETHERED MONITOR OPERATOR STATION - Same as above but the Tethered Control Station is supplied with a 30' long pre-connected cable.

Y4E-CT-100
\$1190.00
7.6 lb (3.4kg)
7.30" (18.4cm)

Y4E-CT-100 TETHERED MONITOR OPERATOR STATION - Same as above but the Tethered Control Station is supplied with a 100' long pre-connected cable.

Contact customer service for longer tether.

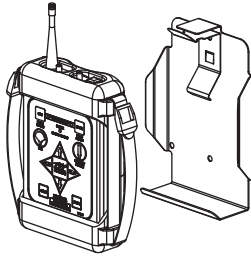
YE-RF-900-D
YE-RF-2400-D
\$2305.00
3.1 lb (1.4kg)
11.30" (28.7cm)



YE-RF-900-D WIRELESS MONITOR OPERATOR STATION WITH DISPLAY, 900 MHz – Allows RC monitors to be controlled using a wireless handheld transmitter. The unit is easily configurable for multi-monitor control. This will allow a user to control up to ten TFT RC monitors from one operator station. The wireless transmitter will operate up to 500' (152m) away from the truck and is supplied with a stainless steel mounting bracket to securely store the handheld unit. This operator station includes a display for advanced system feedback and a backlit control panel for improved visibility of controls in low-light conditions. Mounting bracket meets NFPA 1901 9G force requirements which ensures the security of equipment and safety of personnel. See RC monitor installation & operation manual for operating frequency agency approvals or consult factory for agencies not listed. Order one radio & antenna for each RC monitor, listed below.

YE-RF-2400-D WIRELESS MONITOR OPERATOR STATION, 2.4 GHz Commonly used for International installations. Same as the YE-RF-900-D with a different operating frequency.

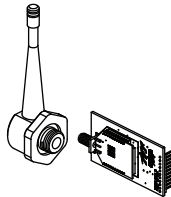
YE-RF-900
YE-RF-2400
\$2095.00
3.1 lb (1.4kg)
11.30" (28.7cm)



YE-RF-900 WIRELESS MONITOR OPERATOR STATION, 900 MHz - This operator station allows one RC monitor to be controlled using a wireless handheld transmitter. The wireless transmitter will operate up to 500' (152m) away from the truck. This operator station is supplied with a stainless steel mounting bracket to securely store the handheld unit. Mounting bracket meets NFPA 1901 9G force requirements which ensures the security of equipment and safety of personnel. See RC monitor installation & operation manual for operating frequency agency approvals or consult factory for agencies not listed. Order one radio & antenna for each RC monitor, listed below.

YE-RF-2400 WIRELESS MONITOR OPERATOR STATION, 2.4 GHz Commonly used for International installations. Same as the YE-RF-900 with a different operating frequency.

YE-RF-RAD-9
YE-RF-RAD-24
\$265.00



YE-RF-RAD-9 WIRELESS MONITOR RADIO & ANTENNA, 900MHZ – This radio and antenna option is required to enable a TFT RC monitor to operate along with the wireless operator stations described above. **ONE RADIO & ANTENNA ITEM IS REQUIRED FOR EACH RC MONITOR.** When ordered at the same time as the RC monitor, radio & antenna will be installed by TFT assembly personnel.

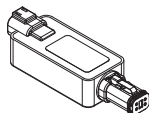
YE-RF-RAD-24 WIRELESS MONITOR RADIO & ANTENNA, 2.4GHZ – Commonly used for International installations. Same as the YE-RF-RAD-9 with a different operating frequency.

YE-RF-BT
\$600.00
0.46 lb (0.21 kg)
5.75" x 2.94" x 0.55"
(14.6 x 7.5 x 1.4 cm)



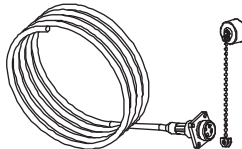
YE-RF-BT TACTILE TOUCH CONTROLLER – This Controller has three modes: Operate, configure, and help service any TFT RC monitor with this wireless hand-held touch-screen controller (operator station). This device controls one RC monitor from the wireless handheld. The controller comes equipped with a 5.0" touch screen display (720x1280p) and an internal rechargeable (non-replaceable) Li-ion battery (4300mAh). The controller is IP68 water and dust certified. In operate mode, you can control any TFT monitor as if it were a standard operator station. In configuration mode, you can set the operating parameters such as park function, oscillate pattern, and nozzle type. In service mode, you can access error codes and communication status. See RC monitor installation & operation manual for operating frequency approvals or consult factory for agencies not listed. **REQUIRES ONE YE-BT1 INTERFACE ADAPTER PER WIRELESS CONTROLLER.**

YE-BT1
\$400.00
3oz (85 gms)
5.40" x 1.64" x 1.36"
(13.7 x 4.2 x 3.5cm)



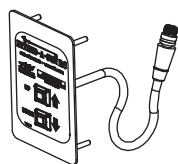
YE-BT1 BLUETOOTH® ADAPTER - FOR RC MONITORS AND VUMS The Bluetooth® adapter when used with the YE-RF-BT Tactile Touch Controller allows the user to operate, configure, or service any TFT RC Monitor or RC Valve Under Monitor. The adapter is typically installed near monitor/VUM using two mounting studs.

YE-RECEP-4
\$255.00
30.00ft (9.1m)



YE-RECEP-4 PANEL MOUNTED RECEPTACLE - This receptacle allows tethered monitor operator stations to be connected at additional locations. A 30' (9m) long cable with a pre-connected receptacle is supplied. Includes waterproof cap and chain.

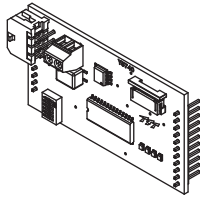
XGA-RP
\$225.00
1.0 lb (0.4kg)
5.25" x 3.75"
(13.3cm x 9.5cm)



XGA-RP PANEL MOUNT RC EXTEND-A-GUN OPERATOR STATION This operator station allows the RC Extend-A-Gun to be controlled from a remote location when the user wants a separate control from a TFT RC monitor operator station or if there is no RC monitor up/down button available. The plate is designed to be flush mounted in a panel and a 12' (3,6m) long pre-connected cable. **NOTE: This operator station is required if the RC Extend-A-Gun is not installed with a TFT RC Monitor and 6' (1,8m) companion cable which must be installed in RC Extend-A-Gun. Interface box is supplied.**

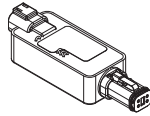
REMOTE CONTROL ACCESSORIES

YE-CAN1
\$200.00



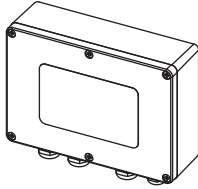
YE-CAN1 MULTIPLEX INTERFACE - FOR RC MONITORS AND VUMS The Multiplex Interface Control converts CANbus signals into serial communications for controlling a TFT RC monitor or valve. This module is designed to work on a J1939 CANbus system and allows control of all TFT RC Monitors and RC Valve Under Monitor, Module typically installed in ladder/platform monitor electronics interface box.

YE-CAN2
\$400.00
3oz (85 gms)
5.40" x 1.64" x 1.36"
(13.7 x 4.2 x 3.5cm)



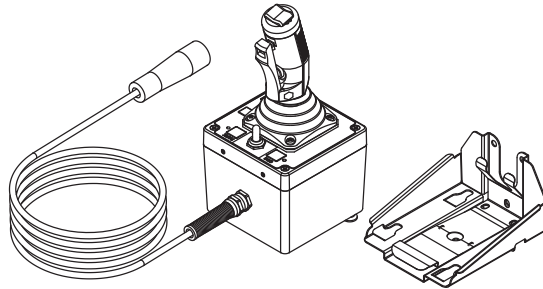
YE-CAN2 MULTIPLEX ADAPTER - FOR RC MONITORS AND VUMS The Multiplex Adapter Control converts CANbus signals into serial communications for controlling a TFT RC monitor or valve. This module is designed to work on a J1939 CANbus system and allows control of all TFT RC Monitors and RC Valve Under Monitor, Module typically installed near monitor/VUM using two mounting studs.

YE-ETHER
\$1045.00
2.5 lb (1.1kg)
11.30" (28.7cm)



YE-ETHER ETHERNET INTERFACE CONTROL FOR WIRED NETWORKS This interface box enables a TFT RC monitor to be connected and controlled via a standard wired Ethernet network. This unit is designed to be operated from a PC or tablet running a standard web browser. The interface acts as a web server and no custom software is required. The interface box includes a pre-wired 10' (3m) cable with receptacle for monitor connections and a 10' (3m) cable for power connections and communication connections to other remote accessories (if any).

Y4E-JS
Y4E-JS-51
Y4E-JS-52
\$1420.00
5.0 lb (2.3 kg)
10.00" x 4.75" x 4.75"
(25.4 x 12 x 12 cm)



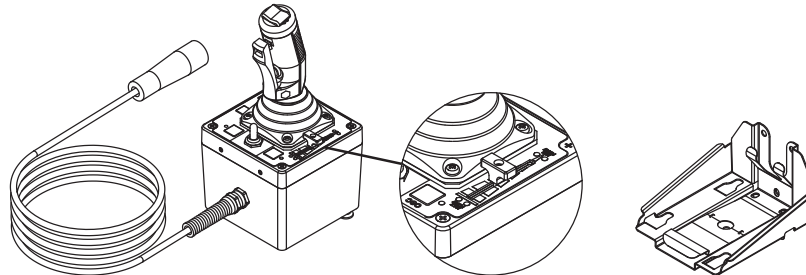
Y4E-JS JOYSTICK MONITOR OPERATOR STATION This operator station allows any TFT RC electric monitor to be controlled using a joystick. Moving the joystick controls monitor vertical and horizontal movement. Thumb switches control nozzle pattern. A trigger built into the joystick handle can be used to open and close some water valves. The joystick is factory installed on an enclosure that houses the control electronics and a 10' (3m) cable is supplied with stripped wires for connection in the control system terminal box. The joystick control is also equipped with push buttons on top for PARK and OSCILLATE functions as well as monitor DEPLOY. An additional configurable button can be set up for RC Extend-A-Gun or LED light kit control. A toggle switch is available to select water valve open, close, or joystick control. The joystick control can be configured for proportional speed control of the horizontal and vertical axis. The joystick control is factory wired so that the AUX2 button on TFT monitor operator stations will also open and close the water valve. Mounting bracket meets NFPA 1901 9G force requirements which ensures the security of equipment and safety of personnel.

Y4E-JS-51 Same as above except cable has plug and includes bulkhead receptacle with stripped wires for connection to control system.

Y4E-JS-52 Same as above except cable has plug to connect to YE-VK valve interface box receptacle (not included).

NOTE: Consult factory for instructions to enable proportional speed control.

Y4E-JS-GT
Y4E-JS-GT-R
Y4E-JS-GT-NP
\$1420.00
5.0 lb (2.3 kg)
10.00" x 4.75" x 4.75"
(25.4 x 12 x 12 cm)



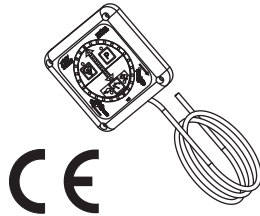
Y4E-JS-GT - JOYSTICK MONITOR OPERATOR STATION WITH GATEABLE VALVE CONTROL This Joystick Monitor Operator Station is specialized for TFT RC monitor systems that are operated in conjunction with a TFT Gateable Valve Kit. This version is the same as the standard Joystick Monitor Operator Station but also includes a valve opening adjustment slider to control the valve position on TFT Gateable Valve Kits. The Joystick includes a 10' (3m) cable that has a plug to connect to the YE-VKG valve interface box receptacle (not included). Mounting bracket meets NFPA 1901 9G force requirements which ensures the security of equipment and safety of personnel.

Y4E-JS-GT-R – Same as Y4E-JS-GT except cable has plug and includes bulkhead receptacle with stripped wires for connection to control system.

Y4E-JS-GT-NP – Same as Y4E-JS-GT except has 10' (3m) cable with stripped wires for connection to control system.

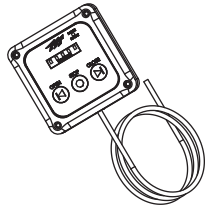
NOTE: Consult factory for instructions to enable proportional speed control.

Y4E-DISP
\$660.00
 2.7 lb (1.2kg)
 4.25" x 3.5"
 (10.7cm x 8.9cm)



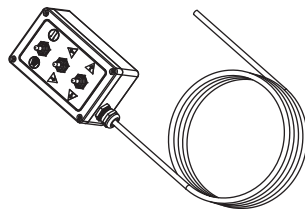
Y4E-DISP MONITOR POSITION DISPLAY - This display will show the stream position of any TFT RC electric monitor. Position is indicated by two sets of LEDs, one set for the vertical position and one set for the horizontal position. Buttons for the PARK & Oscillate features and HIGH/LOW speed selection are also supplied. A 10' (3m) long 4-conductor cable for power and communication is supplied pre-connected. When installed on systems w/RC Extend-A-Gun, the current state is indicated by LED (raised/lowered)

A-DISP
\$775.00
 2.7 lb (1.2kg)
 4.25" x 3.5"
 (10.7cm x 8.9cm)



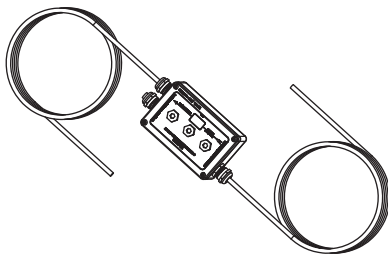
A-DISP VALVE POSITION DISPLAY - This display will show the position of any TFT RC Ball Intake Valve or Valve Under Monitor. Position is indicated by 5 LEDs, one red for CLOSED, one green for OPEN, and three yellow for intermediate positions. Buttons for valve open, stop, close are also included. A 20' (6m) long 4-conductor cable w/Deutsch quick-connect plug for power and communication is supplied pre-connected.

Y4E-TS
\$1045.00
 2.7 lb (1.2kg)
 8.00" (20.3cm)



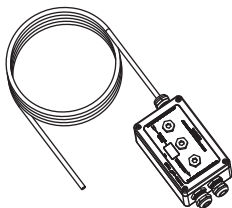
Y4E-TS TOGGLE SWITCH MONITOR OPERATOR STATION - This operator station allows any TFT RC electric monitor to be controlled using three toggle switches. Switches control monitor vertical and horizontal movement plus nozzle pattern adjustment. The operator station can be surface mounted. A 10' (3m) long 4-conductor cable for power and communication is supplied pre-connected. This operator station is equipped with "last button pressed" software or can be configured as a "master" station.

Y4E-COMM
\$1045.00
 2.7 lb (1.2kg)
 8.00" (20.3cm)



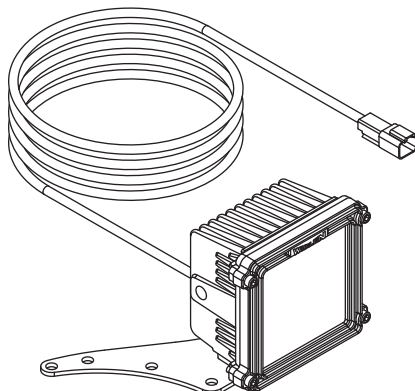
Y4E-COMM MONITOR COMMUNICATION INTERFACE BOX - This communication interface box converts discrete input signals into communications for controlling any TFT RC electric monitor. The discrete input signals can be from a joystick, installer supplied toggle switches, relay contacts or canbus output module. The interface box accepts +12/24 VDC signals, but can be field changed to accept ground signals. This interface box also includes a relay to indicate when the monitor is in PARK position and has contacts that can be connected into the door open or Extend-A-Gun raised warning light. The interface box can be surface mounted. A 10' (3m) long 4-conductor cable for power and communication is supplied pre-connected. Also a 10' (3m) long cable is supplied pre-connected for connection to the input signals. This interface box is equipped with "last button pressed" software or can be configured as a "master" station.

YE-REMAUX
\$1045.00
 2.7 lb (1.2kg)
 8.00" (20.3cm)



YE-REMAUX REMOTE AUXILIARY FUNCTION RELAY INTERFACE BOX This interface box allows a user to utilize the AUX1 and AUX2 buttons located on the monitor operator station, any remote operator station with a membrane switch or inputs located in part #Y4E-COMM. The interface box is equipped with two relays that can operate lights, interface to a valve controller or in some cases operate a valve directly, etc. The contact rating of the relay is 16 amps @ 30VDC for resistive loads and 8 amps @ 30VDC for inductive loads. A 10' (3m) long 4-conductor cable for power and communication is supplied pre-connected.

YE-LK12-KIT
\$910.00
 1.7 lb (0.8kg)
 4.30" (10.9cm) Height



YE-LK12-KIT LED SEARCH-LIGHT KIT, 12V - for mounting to remote controlled EF1, Tornado and Typhoon monitors.

YE-LK24-KIT
\$910.00
 1.7 lb (0.8kg)
 4.30" (10.9cm) Height

YE-LK24-KIT LED SEARCH-LIGHT KIT, 24V - for mounting to remote controlled EF1, Tornado and Typhoon monitors.



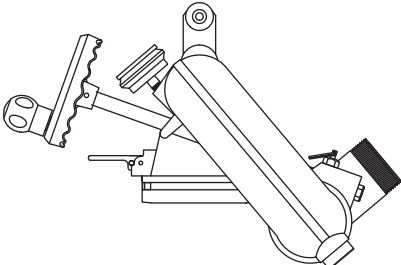
Pumper Combination Package Crossfire & Extend-A-Gun

XFC-71

\$3645.00

XFC-71 PACKAGE CONTAINS:
CROSSFIRE Monitor Top
Your Choice of Manual Extend-A-Gun
Your Choice of Mounting Bracket Set

CROSSFIRE TOP INCLUDED



XFT-NJ — 2.5"NH (64mm) Outlet
Monitor Top 1250 gpm (4750 l/min)

CHOICE OF EXTEND-A-GUN

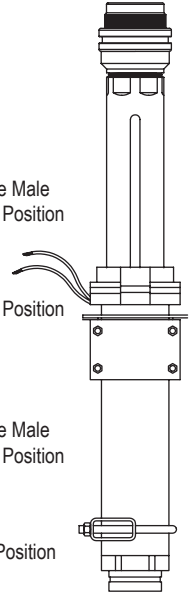
Choose One Option

XG12PL-XL
3" (76mm) Tapered Pipe Male
12" (304mm) Extended Position

XG12VL-XL
3" Victaulic (76mm)
12" (304mm) Extended Position

XG18PL-XL
3" (76mm) Tapered Pipe Male
18" (457mm) Extended Position

XG18VL-XL
3" Victaulic (76mm)
18" (457mm) Extended Position



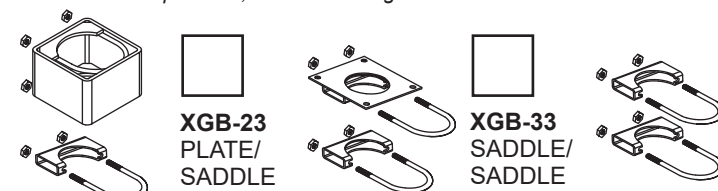
3" BRACKET SET CHOICE Choose One Option

For safe dependable service, the Extend-A-Gun **MUST** be securely mounted. To make the Extend-A-Gun as versatile as possible, three mounting bracket kits are offered.

XGB-13
TUBE/
SADDLE

XGB-23
PLATE/
SADDLE

XGB-33
SADDLE/
SADDLE



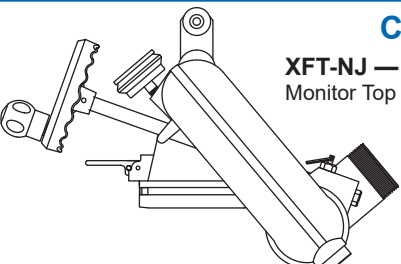

Pumper Combination Package Crossfire & Extend-A-Gun

XFC-72

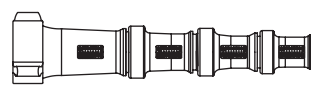
\$4210.00

XFC-72 PACKAGE CONTAINS:
CROSSFIRE Monitor Top
Quad Stack Tips
Your Choice of Stream Straightener
Your Choice of Manual Extend-A-Gun
Your Choice of Mounting Bracket Set

CROSSFIRE TOP & QUAD TIPS INCLUDED



XFT-NJ — 2.5"NH (64mm) Outlet
Monitor Top 1250 gpm (4750 l/min)



MST-4NJ — 2.5"NH (64mm)
4 Stacked Tips Laser Engraved Flow Charts

CHOICE OF EXTEND-A-GUN

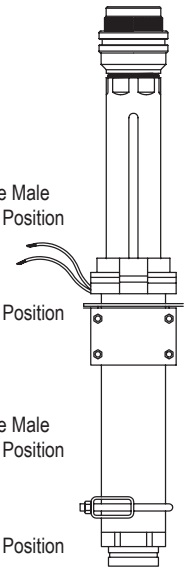
Choose One Option

XG12PL-XL
3" (76mm) Tapered Pipe Male
12" (304mm) Extended Position

XG12VL-XL
3" Victaulic (76mm)
12" (304mm) Extended Position

XG18PL-XL
3" (76mm) Tapered Pipe Male
18" (457mm) Extended Position

XG18VL-XL
3" Victaulic (76mm)
18" (457mm) Extended Position



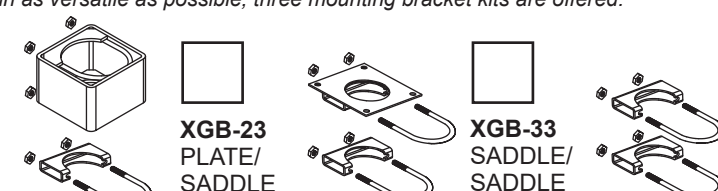
3" BRACKET SET CHOICE Choose One Option

For safe dependable service, the Extend-A-Gun **MUST** be securely mounted. To make the Extend-A-Gun as versatile as possible, three mounting bracket kits are offered.

XGB-13
TUBE/
SADDLE

XGB-23
PLATE/
SADDLE

XGB-33
SADDLE/
SADDLE



CHOICE OF STREAM STRAIGHTENER

Choose One Option

XF-SS5
5" (127mm)
2.5" NH (64mm)

XF-SS10
10" (254mm)
2.5" NH (64mm)



OEM INSTALLED PRODUCTS

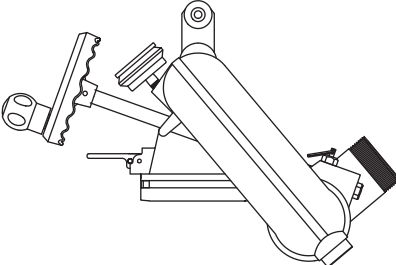
Pumper Combination Packages Crossfire & Extend-A-Gun

XFC-73

\$5000.00

XFC-73 PACKAGE CONTAINS:

- CROSSFIRE Monitor Top
- Your Choice of Halo Master Stream Nozzle
- Your Choice of Manual Extend-A-Gun
- Your Choice of Mounting Bracket Set



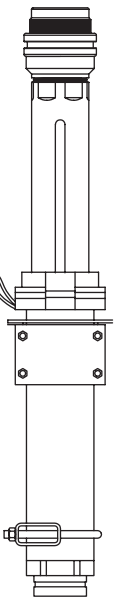
CROSSFIRE TOP INCLUDED

XFT-NJ — 2.5"NH Outlet (64mm)
Monitor Top 1250 gpm (4750 l/min)

CHOICE OF EXTEND-A-GUN

Choose One Option

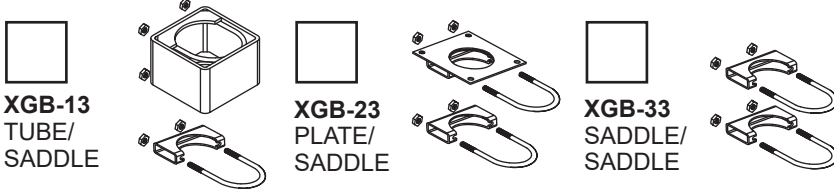
- XG12PL-XL**
3" (76mm) Tapered Pipe Male
12" (304mm) Extended Position
- XG12VL-XL**
3" Victaulic (76mm)
12" (304mm) Extended Position
- XG18PL-XL**
3" (76mm) Tapered Pipe Male
18" (457mm) Extended Position
- XG18VL-XL**
3" Victaulic (76mm)
18" (457mm) Extended Position



3" BRACKET SET CHOICE Choose One Option

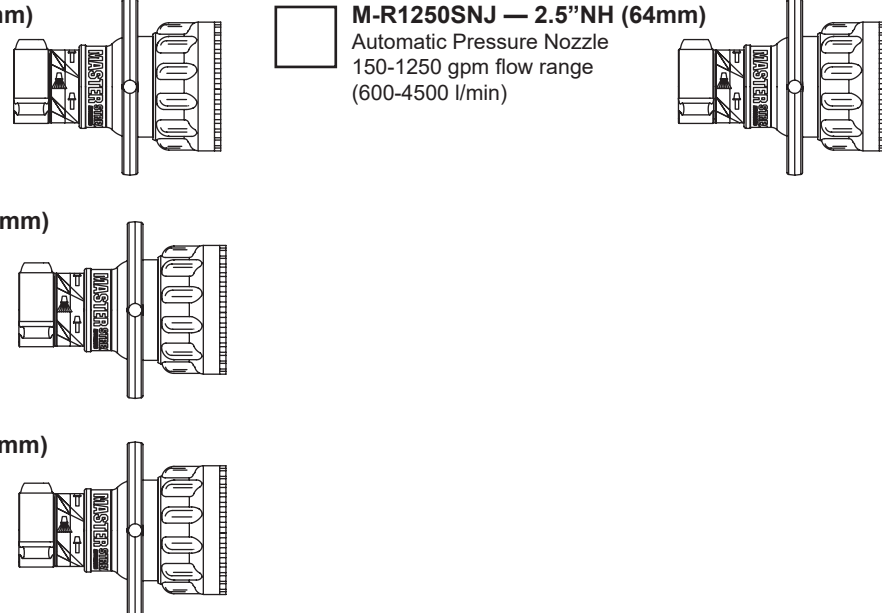
For safe dependable service, the Extend-A-Gun MUST be securely mounted. To make the Extend-A-Gun as versatile as possible, three mounting bracket kits are offered.

- XGB-13**
TUBE/
SADDLE
- XGB-23**
PLATE/
SADDLE
- XGB-33**
SADDLE/
SADDLE



CHOICE OF NOZZLE Choose One Option

- M-R1000-NJ — 2.5"NH (64mm)**
Automatic Pressure Nozzle
150-1000 gpm flow range
(600-4000 l/min)
- M-R1250SNJ — 2.5"NH (64mm)**
Automatic Pressure Nozzle
150-1250 gpm flow range
(600-4500 l/min)
- M-RS1000-NJ — 2.5"NH (64mm)**
Selectable Flow Nozzle
250, 350, 500, 750 or 1000 gpm
Flow is User Adjusted
gpm is based on 100 psi
- M-RF1000-NJ — 2.5"NH (64mm)**
Fixed Flow Nozzle
1000 gpm (4000 l/min) max
Must Specify Flow & Pressure



OEM INSTALLED PRODUCTS

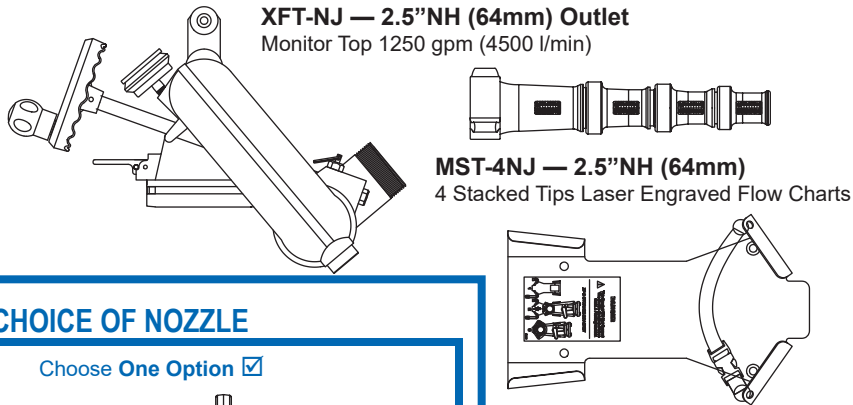
XFC-62

\$7345.00

XFC-62 PACKAGE CONTAINS:

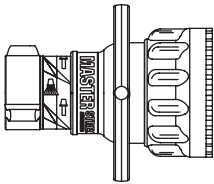
- CROSSFIRE Monitor Top
- Quad Stacked Tips
- Crossfire Storage Bracket
- SAFE-TAK 1250 Base w/Choice of Inlet
- Your Choice of Halo Master Nozzle
- Your Choice of Stream Straightener
- Your Choice of Manual Extend-A-Gun
- Choice of Mounting Bracket Set

CROSSFIRE TOP, QUAD TIPS & BRACKET INCLUDED



CHOICE OF NOZZLE

Choose One Option



- | | |
|---|---|
| <input type="checkbox"/> M-R1000-NJ - 2.5"NH (64mm)
Automatic Pressure Nozzle
150-1000 gpm flow range
(600-4000 l/min) | <input type="checkbox"/> M-RF1000-NJ - 2.5"NH (64mm)
Fixed Flow Nozzle
1000 gpm (4000 l/min) max
Must Specify Flow & Pressure |
| <input type="checkbox"/> M-RS1000-NJ - 2.5"NH (64mm)
Selectable Flow Nozzle
250, 350, 500, 750 or 1000 gpm
Flow is User Adjusted
gpm is based on 100 psi | <input type="checkbox"/> M-R1250SNJ - 2.5"NH (64mm)
Automatic Pressure Nozzle
150-1250 gpm flow range
(600-4500 l/min) |

XF-B
Crossfire Storage Bracket

CHOICE OF EXTEND-A-GUN

Choose One Option

- | | |
|---|--|
| <input type="checkbox"/> XG12PL-XL
3" (76mm) Tapered Pipe Male
12" (304mm) Extended Position | |
| <input type="checkbox"/> XG12VL-XL
3" Victaulic (76mm)
12" (304mm) Extended Position | |
| <input type="checkbox"/> XG18PL-XL
3" (76mm) Tapered Pipe Male
18" (457mm) Extended Position | |
| <input type="checkbox"/> XG18VL-XL
3" Victaulic (76mm)
18" (457mm) Extended Position | |

CHOICE OF STREAM STRAIGHTENER

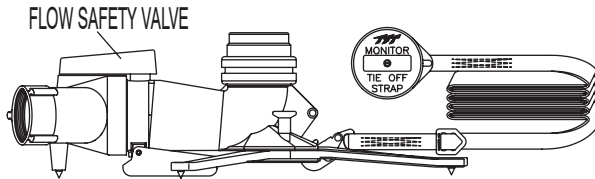
Choose One Option

- | | |
|--|--|
| <input type="checkbox"/> XF-SS5
5" (127mm)
2.5" NH (64mm) | |
| <input type="checkbox"/> XF-SS10
10" (254mm)
2.5" NH (64mm) | |

SAFE-TAK 1250 BASE w/CHOICE OF INLETS

Choose One Option

XFH-*
SAFE-TAK 1250
Portable Base



- | | |
|--|--|
| <input type="checkbox"/> XFH-1NP
Single 4"NH
(100mm) | <input type="checkbox"/> XFH-1ST
Single 5"Storz
(127mm) |
| <input type="checkbox"/> XFH-1NL
Single 3"NH
(76mm) | <input type="checkbox"/> XFH-1SR
Single 6"Storz
(152mm) |
| <input type="checkbox"/> XFH-1NN
Single 3.5"NH
(89mm) | <input type="checkbox"/> XFH-2NJ
Dual 2.5"NH
(64mm) |
| <input type="checkbox"/> XFH-1NR
Single 4.5"NH
(114mm) | |
| <input type="checkbox"/> XFH-1SP
Single 4"Storz
(102mm) | |

CHOICE OF 3" (76mm) BRACKET SET

Choose One Option

For safe dependable service, the Extend-A-Gun **MUST** be securely mounted. To make the Extend-A-Gun as versatile as possible, three mounting bracket kits are offered.

- | | |
|---|--|
| <input type="checkbox"/> XGB-13
TUBE/
SADDLE | |
| <input type="checkbox"/> XGB-23
PLATE/
SADDLE | |
| <input type="checkbox"/> XGB-33
SADDLE/
SADDLE | |

OEM INSTALLED PRODUCTS

Pumper Combination Package Hurricane and Extend-A-Gun

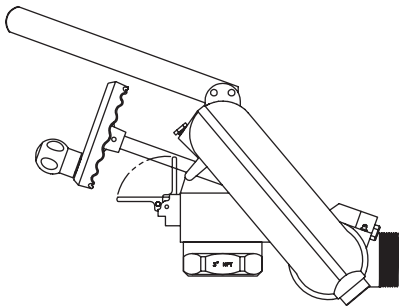
XFC-63

\$5185.00


XFC-63 PACKAGE CONTAINS:


- HURRICANE Monitor
- Quad Stacked Tips
- Your Choice of Halo Master Nozzle
- Your Choice of Stream Straightener
- Your Choice of Manual Extend-A-Gun
- Choice of Mounting Bracket Set

FIXED STATION MONITOR & QUAD TIPS INCLUDED



XFI-PLNJ HURRICANE MONITOR
 3" (75mm) Female NPT Inlet
 2.5" NH (65mm) Outlet
 1250 gpm (4500 l/min)

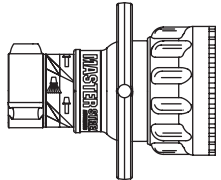




MST-4NJ - 2.5" NH (64mm)
 4 Stacked Tips
 Laser Engraved Flow Charts

CHOICE OF NOZZLE

Choose One Option



M-R1000-NJ - 2.5"NH (64mm)
 Automatic Pressure Nozzle
 150-1000 gpm flow range
 (600-4000 l/min)

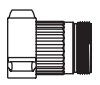
M-RS1000-NJ - 2.5"NH (64mm)
 Selectable Flow Nozzle
 250, 350, 500, 750 or 1000 gpm
 Flow is User Adjusted
 gpm is based on 100 psi

M-RF1000-NJ - 2.5"NH (64mm)
 Fixed Flow Nozzle
 1000 gpm (4000 l/min) max
 Must Specify Flow & Pressure

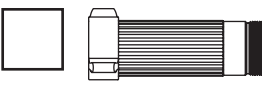
M-R1250SNJ - 2.5"NH (64mm)
 Automatic Pressure Nozzle
 150-1250 gpm flow range
 (600-4500 l/min)

CHOICE OF STREAM STRAIGHTENER

Choose One Option



XF-SS5
5" (127mm) 2.5" NH (64mm)



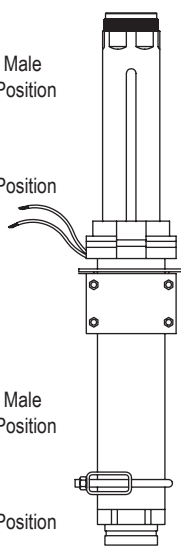
XF-SS10
10" (254mm) 2.5" NH (64mm)

CHOICE OF EXTEND-A-GUN

Choose One Option

XG12PL-XL
 3" (76mm) Tapered Pipe Male
 12" (304mm) Extended Position

XG12VL-XL
 3" Victaulic (76mm)
 12" (304mm) Extended Position



XG18PL-XL
 3" (76mm) Tapered Pipe Male
 18" (457mm) Extended Position

XG18VL-XL
 3" Victaulic (76mm)
 18" (457mm) Extended Position

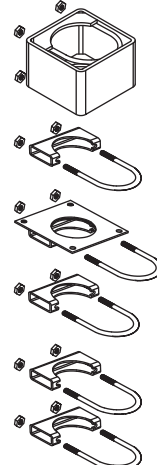
CHOICE OF 3" (76mm) BRACKET SET

Choose One Option

For safe dependable service, the Extend-A-Gun MUST be securely mounted. To make the Extend-A-Gun as versatile as possible, three mounting bracket kits are offered.

XGB-13
TUBE/
SADDLE

XGB-23
PLATE/
SADDLE

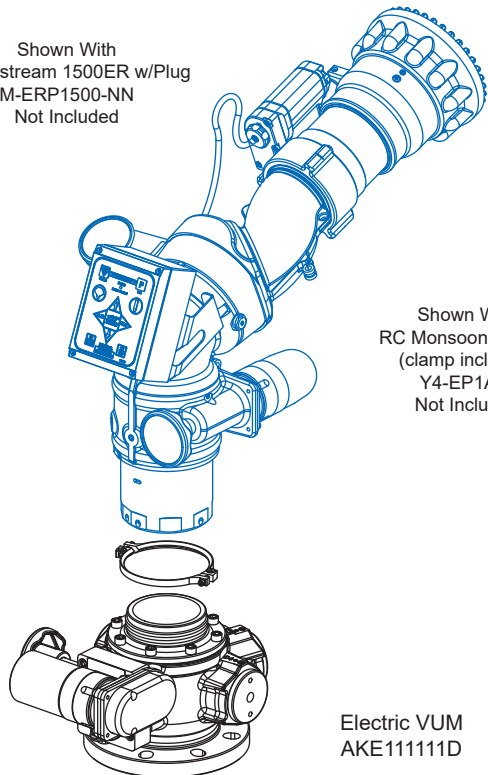


XGB-33
SADDLE/
SADDLE

VALVE UNDER MONITOR™

The Valve Under Monitor (VUM) is a lightweight, low friction-loss valve and manifold for installation directly beneath monitors on ladders and platforms. The VUM combines the robust valve mechanism from the TFT Ball Intake Valve with a 4" (102mm) ANSI 150 inlet and up to four 2.5" (64mm) outlets. The 2.5" (64mm) outlets are available with integrated valves, male hose threads or female pipe threads. Maximum operating pressure is 300 psi (21 bar). When paired with a TFT monitor, the monitor flange is omitted for additional weight savings and ease of installation. Electric remote controlled (RC) models may be controlled from a dedicated panel mount control, customer supplied switches or from TFT RC Monitor Operator Stations. RC models are designed for 12 VDC or 24 VDC operation, selection is automatic. RC models include an interface enclosure to connect external control signals. These signals can either be hard wired or from a CANbus output module. The interface enclosure includes two relays for customer feedback of open or closed valve status. The interface enclosure is factory configured to accept +12/24 VDC signals, but can be reconfigured in field to accept ground signals.

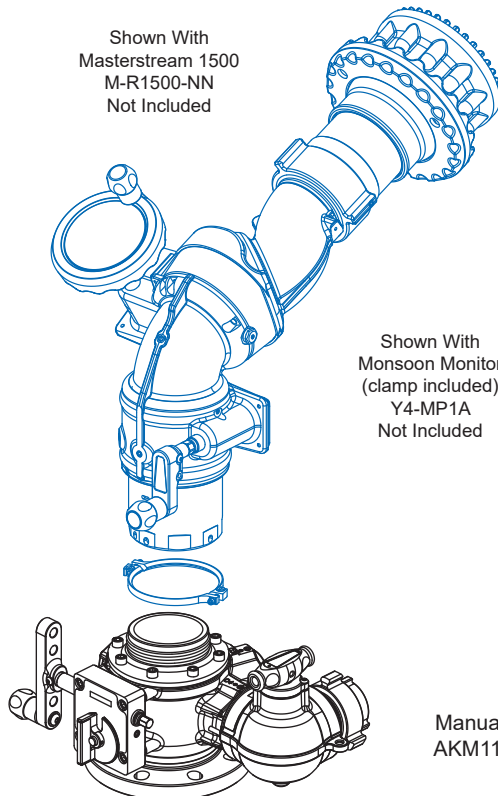
Shown With
Masterstream 1500ER w/Plug
M-ERP1500-NN
Not Included



Shown With
RC Monsoon Monitor
(clamp included)
Y4-EP1A-P
Not Included

Electric VUM
AKE11111D

Shown With
Masterstream 1500
M-R1500-NN
Not Included



Shown With
Monsoon Monitor
(clamp included)
Y4-MP1A
Not Included

Manual VUM
AKM111113D

ACCEPTABLE MONITOR INSTALLATIONS

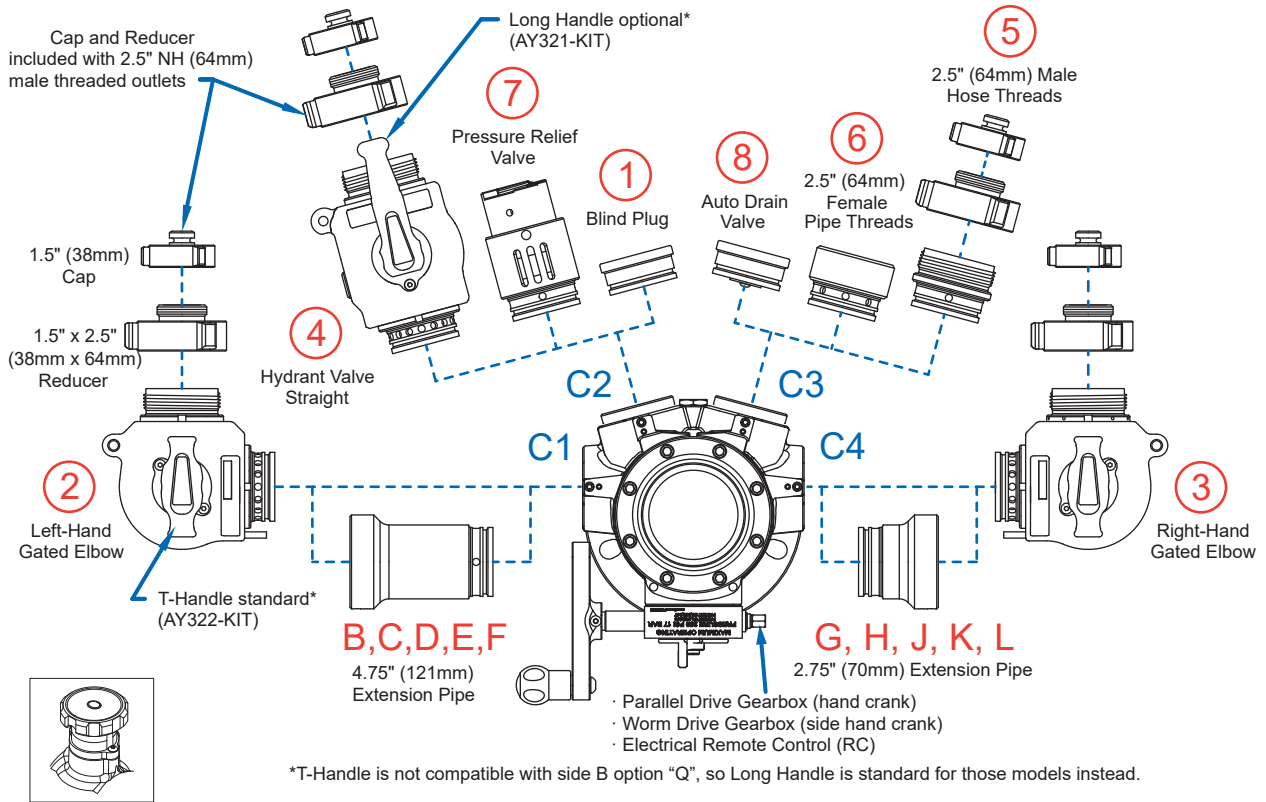
TFT CODE-RPF AND QUICK CONNECT MONITORS MEASURING LESS THAN 19" (483mm)	FLANGED MONITORS MEASURING LESS THAN 16" (406mm)	FLANGED MONITORS MEASURING GREATER THAN 16" (406mm)
MONSOON Y4-MP1A or MQ1A MONSOON Y4-TP1A or TQ1A MONSOON RC Y4-EP1A or EQ1A TYPHOON Y5-DP1A or DQ1A TYPHOON Y5-MP1A or MQ1A TYPHOON Y5-TP1A or TQ1A TYPHOON RC Y5-EA1A-L TYPHOON RC Y5-EP1A-L or EQ1A-L TYPHOON RC Y5-EP1A-P or EQ1A-P HURRICANE XFIH-DP1A or DQ1A HURRICANE XFIH-TP1A or TQ1A HURRICANE RC XFIH-EN1A or EQ1A TORNADO Y2-T11A or TV1A TORNADO RC Y2-E11A or EV1A	HURRICANE XFI-FPNJ HURRICANE XFIE-FPNJ HURRICANE XFIH-D21A* HURRICANE XFIH-T21A* HURRICANE RC XFIH-E21A* MONSOON Y4-M21A * MONSOON Y4-T21A * MONSOON RC Y4-E21A *	TYPHOON Y5-D21A * TYPHOON Y5-M21A * TYPHOON Y5-T21A * TYPHOON RC Y5-EA1A-L TYPHOON RC Y5-E21A-L * TYPHOON RC Y5-E21A-L20 * TYPHOON RC Y5-E21A-L80 * TYPHOON RC Y5-E21A-P *
<p>*FLANGES (4" ANSI 150 OR DN100 PN16) CAN BE REMOVED FROM MOST TFT MONITORS IN ORDER TO USE THE CODE-RPM DIRECT CONNECTION.</p>		

When ordering a Valve Under Monitor (VUM), choose one option from each category.

For example: Model AKE11111D is an electric drive, ANSI 150 Inlet, CODE-RPM (TFT Monitor Outlet) with blind plugs on ports Ports C1, C2, C3, C4 and has a Ball Drain installed.

AKM111113D is a Handwheel on side, ANSI 150 Inlet, CODE-RPM (TFT Monitor Outlet), with blind plugs on Ports C1, C2 and C3, a right hand gated elbow on port C4 and has a Ball Drain Installed.

For assistance in ordering, please call 1-800-348-2686 and speak to a VUM specialist.



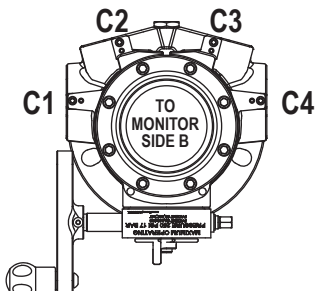
Slow Close Valve Option is available on all models. Call for additional information.

CONTACT CUSTOMER SERVICE FOR CONFIGURATIONS AND AVAILABILITY

AUXILIARY PORT SPECIFICATIONS AND PRICING - For Ports C1, C2, C3 C4			
Without Extension Pipe		With 4.75" (121mm) Extension Pipe	With 2.75" (70mm) Extension Pipe
1) Blind Plug	1) N/C		
2) 2.5" NH (64mm) Gated Elbow Left-Hand*	2) \$775.00	B) \$940.00	G) \$945.00
3) 2.5" NH (64mm) Gated Elbow Right-Hand*	3) \$775.00	C) \$940.00	H) \$945.00
4) 2.5" NH (64mm) Hydrant Valve Straight*	4) \$775.00	D) \$940.00	J) \$945.00
5) 2.5" NH (64mm) Male Threads (no valve)	5) \$170.00	E) \$335.00	K) \$335.00
6) 2.5" NPT (64mm) Female Threads (no valve)	6) \$170.00	F) \$335.00	L) \$335.00
7) Pressure Relief Valve	7) \$480.00		
8) External Automatic Drain Valve	8) N/C		

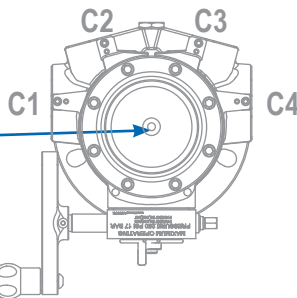
Add Base Model Price Plus Auxiliary Port Price(s) for Total Unit Cost.

AUXILIARY PORT DESIGNATION



Note: Handwheel is factory configured on left-hand side of valve, but is field reversible for right-hand configuration.

OPTIONAL DRAIN



If the VUM is equipped with an automatic drain valve, the monitor will drain following use to the extent allowable by gravity, the monitor's orientation and its geometry. The drain valve, located in the half ball, is designed to close automatically when pressure exceeds 5 psi (0,3bar). When pressure drops below 5 psi (0,3bar), the drain valve will open.

OPTIONAL 3" (76mm) and 6" (152mm) FLANGE Outlet or Inlet Adapter Available.

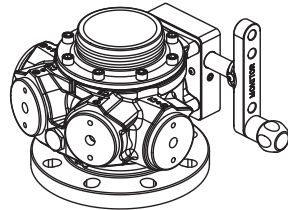
AUXILIARY PORT SPECIFICATIONS AND PRICING - For Ports C1, C2, C3 C4

See Diagram and Chart on page 179

Add Base Model Price Plus Auxiliary Port Price(s) for Total Unit Cost.

CRANK HANDLE CONTROL (WORM DRIVE GEARBOX)

**Dimensional Minimum
AKM11*******
19.3 lb (8.8 kg)
6.60" (16.8 cm) height
12.65" (32.1 cm) width
12.20" (31.0 cm) depth



- Worm Drive Control
- 4" (102mm) ANSI 150 Flange Inlet
- Code-RPM Male Threaded Outlet

**Dimensional Maximum
AKM11*******
49.3 lb (22.4 kg)
6.60" (16.8 cm) height
33.20" (84.3 cm) width
24.10" (61.2 cm) depth

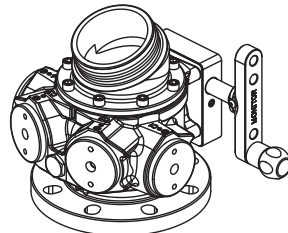
AKM11

\$1125.00

BASE MODEL

C1	AUXILIARY PORTS			BALL DRAIN	TOTAL Plus Aux Port Prices
	C2	C3	C4		
				N/C	
				D=Drain Z=No Drain	

**Dimensional Minimum
AKM12*******
20.0 lb (9.1 kg)
7.9" (20.1 cm) height
12.65" (32.1 cm) width
12.20" (31.0 cm) depth



- Worm Drive Control
- 4" (102mm) ANSI 150 Flange Inlet
- 22.5° Elbow Code-RPM Male Threaded Outlet

**Dimensional Maximum
AKM12*******
50.0 lb (22.7 kg)
7.9" (20.1 cm) height
33.2" (84.3 cm) width
24.1" (61.2 cm) depth

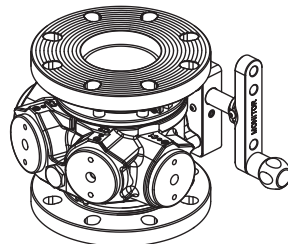
AKM12

\$1570.00

BASE MODEL

C1	AUXILIARY PORTS			BALL DRAIN	TOTAL Plus Aux Port Prices
	C2	C3	C4		
				N/C	
				D=Drain Z=No Drain	

**Dimensional Minimum
AKM13*******
23.9 lb (10.8 kg)
8.7" (22.1 cm) height
12.65" (84.3 cm) width
12.20" (31.0 cm) depth



- Worm Drive Control
- 4" (102mm) ANSI 150 Flange Inlet
- 4" (102mm) ANSI 150 Flange Outlet

**Dimensional Maximum
AKM13*******
53.9 lb (24.40kg)
8.7" (22.1 cm) height
33.2" (84.3 cm) width
24.1" (61.2 cm) depth

AKM13

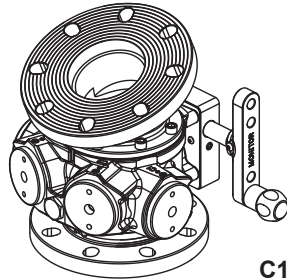
\$1570.00

BASE MODEL

C1	AUXILIARY PORTS			BALL DRAIN	TOTAL Plus Aux Port Prices
	C2	C3	C4		
				N/C	
				D=Drain Z=No Drain	

**Dimensional Minimum
AKM14******
25.0 lb (11.3 kg)
9.9" (25.1 cm) height
12.65 (32.1 cm) width
12.20" (31.0 cm) depth

**Dimensional Maximum
AKM14******
55.0 lb (24.9 kg)
9.9" (25.1 cm) height
33.2" (84.3 cm) width
24.1" (61.2 cm) depth



- Worm Drive Valve Control
- 4" (102mm) ANSI 150 Flange Inlet
- 22.5° 4" (102mm) ANSI 150 Flange Outlet

AKM14

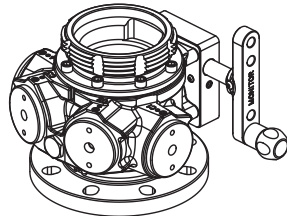
\$1950.00

BASE MODEL

C1	AUXILIARY PORTS			BALL DRAIN	TOTAL Plus Aux Port Prices
	C2	C3	C4		
				N/C	
				D=Drain Z=No Drain	

**Dimensional Minimum
AKM1Q1111D**
21.7 lb (9.8 kg)
8.20" (20.8 cm) height
12.65" (32.1 cm) width
12.20" (31.0 cm) depth

**Dimensional Maximum
AKM1Q******
51.7 lb (23.4 kg)
8.20" (20.8 cm) height
33.20" (84.3 cm) width
24.10" (61.2 cm) depth



- Worm Drive Control
- 4" (102mm) ANSI 150 Flange Inlet
- 4.5" NH (114mm) Quick Connect Outlet for Monitors and Elbows

AKM1Q

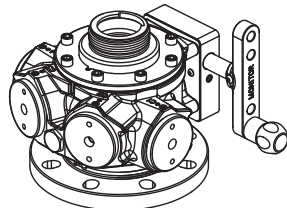
\$1125.00

BASE MODEL

C1	AUXILIARY PORTS			BALL DRAIN	TOTAL Plus Aux Port Prices
	C2	C3	C4		
				N/C	
				D=Drain Z=No Drain	

**Dimensional Minimum
AKM1T1111D**
21.5 lb (9.7 kg)
8.1" (20.7 cm) height
12.65" (32.1 cm) width
12.20" (31.0 cm) depth

**Dimensional Maximum
AKM1T******
51.5 lb (23.3 kg)
8.1" (20.7 cm) height
33.2" (84.3 cm) width
24.1" (61.2 cm) depth



- Worm Drive Control
- 4" (102mm) ANSI 150 Flange Inlet
- 2.5" NH (64mm) Quick Connect Outlet for Tornado Monitor

AKM1T

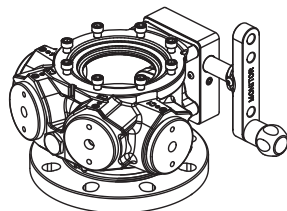
\$1125.00

BASE MODEL

C1	AUXILIARY PORTS			BALL DRAIN	TOTAL Plus Aux Port Prices
	C2	C3	C4		
				N/C	
				D=Drain Z=No Drain	

**Dimensional Minimum
AKM1V******
17.5 lb (7.9 kg)
6.1" (15.5 cm) height
12.65 (32.1 cm) width
12.20" (31.0 cm) depth

**Dimensional Maximum
AKM1V******
47.5 lb (21.5 kg)
6.1" (15.5 cm) height
33.2" (84.3 cm) width
24.1" (61.2 cm) depth



- Worm Drive Valve Control
- 4" (102mm) ANSI 150 Flange Inlet
- For integrated Tornado (no coupling)
- For 1.5" (38mm) offset Typhoon

AKM1V

\$1125.00

BASE MODEL

C1	AUXILIARY PORTS			BALL DRAIN	TOTAL Plus Aux Port Prices
	C2	C3	C4		
				N/C	
				D=Drain Z=No Drain	

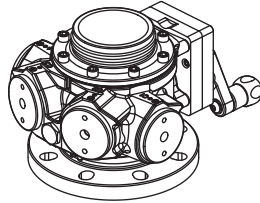
AUXILIARY PORT SPECIFICATIONS AND PRICING - For Ports C1, C2, C3 C4

See Diagram and Chart on page 179

Add Base Model Price Plus Auxiliary Port Price(s) for Total Unit Cost.

CRANK HANDLE CONTROL (PARALLEL DRIVE GEARBOX)

Dimensional Minimum
AKP111111D
 19.3 lb (8.7 kg)
 6.60" (16.8 cm) height
 9.40" (23.9 cm) width
 13.80" (35.1 cm) depth



- Parallel Drive Valve Control
- 4" (102mm) ANSI 150 Flange Inlet
- Code-RPM Male Threaded Outlet

Dimensional Maximum
AKP11*****
 49.4 lb (22.4 kg)
 6.6" (16.8 cm) height
 33.2" (84.3 cm) width
 25.7" (65.3 cm) depth

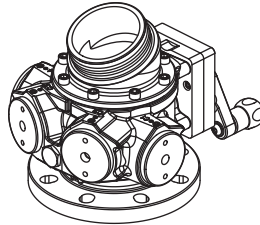
AKP11

\$1300.00

BASE MODEL

C1	AUXILIARY PORTS			BALL DRAIN	TOTAL Plus Aux Port Prices
	C2	C3	C4		
				N/C	
				D=Drain Z=No Drain	

Dimensional Minimum
AKP121111D
 19.3 lb (8.7 kg)
 7.9" (20.1 cm) height
 9.4" (23.9 cm) width
 13.8" (35.1 cm) depth



- Parallel Drive Valve Control
- 4" (102mm) ANSI 150 Flange Inlet
- 22.5° Elbow Code-RPM Male Threaded Outlet

Dimensional Maximum
AKP12*****
 50.1 lb (22.7 kg)
 7.9" (20.1 cm) height
 33.2" (84.3 cm) width
 25.7" (65.3 cm) depth

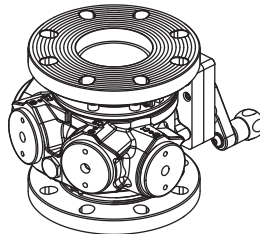
AKP12

\$1750.00

BASE MODEL

C1	AUXILIARY PORTS			BALL DRAIN	TOTAL Plus Aux Port Prices
	C2	C3	C4		
				N/C	
				D=Drain Z=No Drain	

Dimensional Minimum
AKP131111D
 23.9 lb (10.8 kg)
 8.7" (22.1 cm) height
 9.4" (23.9 cm) width
 13.8" (35.1 cm) depth



- Parallel Drive Valve Control
- 4" (102mm) ANSI 150 Flange Inlet
- 4" (102mm) ANSI 150 Flange Outlet

Dimensional Maximum
AKP13*****
 53.9 lb (24.4 kg)
 8.7" (22.1 cm) height
 33.2" (84.3 cm) width
 25.7" (65.3 cm) depth

AKP13

\$1750.00

BASE MODEL

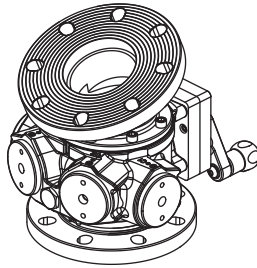
C1	AUXILIARY PORTS			BALL DRAIN	TOTAL Plus Aux Port Prices
	C2	C3	C4		
				N/C	
				D=Drain Z=No Drain	

**Dimensional Minimum
AKP14******

25.0 lb (11.3 kg)
9.9" (25.1 cm) height
9.40" (23.9 cm) width
13.80" (35.1 cm) depth

**Dimensional Maximum
AKP14******

55.0 lb (24.9 kg)
9.9" (25.1 cm) height
33.2" (84.3 cm) width
25.7" (65.3 cm) depth



- Parallel Drive Valve Control
- 4" (102mm) ANSI 150 Flange Inlet
- 22.5° 4" (102mm) ANSI 150 Flange Outlet

AKP14

\$2125.00

BASE MODEL

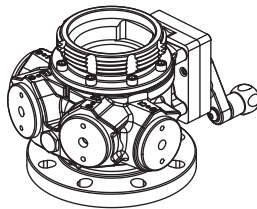
C1	AUXILIARY PORTS				BALL DRAIN	TOTAL Plus Aux Port Prices
	C2	C3	C4			
					N/C	
					D=Drain Z=No Drain	

**Dimensional Minimum
AKP1Q1111D**

21.4 lb (9.7 kg)
8.20" (20.8 cm) height
9.40" (23.9 cm) width
13.80" (35.1 cm) depth

**Dimensional Maximum
AKP1Q******

51.4 lb (23.3 kg)
8.2" (20.8 cm) height
33.2" (84.3 cm) width
25.7" (65.3 cm) depth



- Parallel Drive Valve Control
- 4" (102mm) ANSI 150 Flange Inlet
- 4.5" NH (114mm) Quick Connect Outlet for Monitors and Elbows

AKP1Q

\$1300.00

BASE MODEL

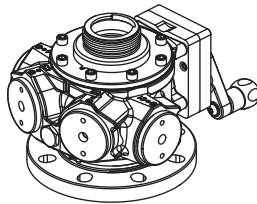
C1	AUXILIARY PORTS				BALL DRAIN	TOTAL Plus Aux Port Prices
	C2	C3	C4			
					N/C	
					D=Drain Z=No Drain	

**Dimensional Minimum
AKP1T1111D**

21.2 lb (9.6 kg)
8.1" (20.7 cm) height
9.4" (23.9 cm) width
13.8" (35.1 cm) depth

**Dimensional Maximum
AKP1T******

51.2 lb (23.2 kg)
8.1" (20.7 cm) height
33.2" (84.3 cm) width
25.7" (65.3 cm) depth



- Parallel Drive Valve Control
- 4" (102mm) ANSI 150 Flange Inlet
- 2.5" NH (64mm) Quick Connect Outlet for Tornado Monitor

AKP1T

\$1300.00

BASE MODEL

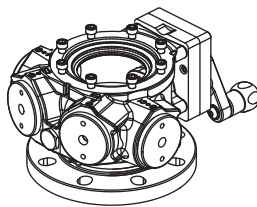
C1	AUXILIARY PORTS				BALL DRAIN	TOTAL Plus Aux Port Prices
	C2	C3	C4			
					N/C	
					D=Drain Z=No Drain	

**Dimensional Minimum
AKP1V******

17.5 lb (7.9 kg)
6.1" (15.5 cm) height
9.40" (23.9 cm) width
13.80" (35.1 cm) depth

**Dimensional Maximum
AKP1V******

47.5 lb (21.5 kg)
6.1" (15.5 cm) height
33.2" (84.3 cm) width
25.7" (65.3 cm) depth



- Parallel Drive Valve Control
- 4" (102mm) ANSI 150 Flange Inlet
- For integrated Tornado (no coupling)
- For 1.5" (38mm) offset Typhoon

AKP1V

\$1300.00

BASE MODEL

C1	AUXILIARY PORTS				BALL DRAIN	TOTAL Plus Aux Port Prices
	C2	C3	C4			
					N/C	
					D=Drain Z=No Drain	

AUXILIARY PORT SPECIFICATIONS AND PRICING - For Ports C1, C2, C3 C4

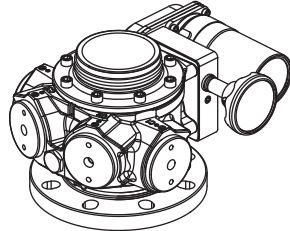
See Diagram and Chart on page 179

Add Base Model Price Plus Auxiliary Port Price(s) for Total Unit Cost.

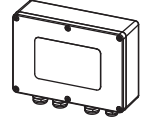
OEM INSTALLED PRODUCTS

ELECTRIC REMOTE CONTROL (RC)

Dimensional Minimum
AKE111111D
 23.7 lb (10.7 kg)
 6.6" (16.8 cm) height
 10.3" (26.2 cm) width
 12.9" (32.8 cm) depth



- Electric Valve Control
- 4" (102mm) ANSI 150 Flange Inlet
- Code-RPM Male Threaded Outlet



Includes Interface Enclosure

Dimensional Maximum
AKE11*****
 53.7 lb (24.3 kg)
 6.6" (16.8 cm) height
 33.2" (84.3 cm) width
 24.1" (61.2 cm) depth

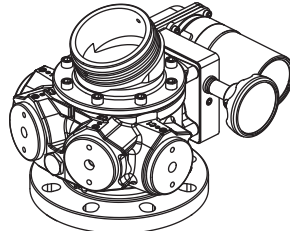
AKE11

\$2975.00

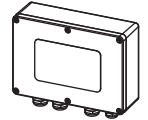
BASE MODEL

	AUXILIARY PORTS				BALL DRAIN	TOTAL Plus Aux Port Prices
	C1	C2	C3	C4		
					N/C	
					D=Drain Z=No Drain	

Dimensional Minimum
AKE112111D
 24.4 lb (11.0 kg)
 7.9" (20.1 cm) height
 10.3" (26.2 cm) width
 12.9" (32.8 cm) depth



- Electric Valve Control
- 4" (102mm) ANSI 150 Flange Inlet
- 22.5° Elbow Code-RPM Male Threaded Outlet



Includes Interface Enclosure

Dimensional Maximum
AKE12*****
 54.4 lb (24.7 kg)
 7.9" (20.1 cm) height
 33.2" (84.3 cm) width
 24.1" (61.2 cm) depth

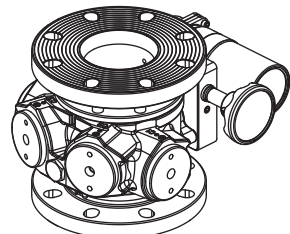
AKE12

\$3800.00

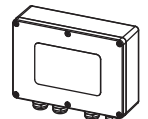
BASE MODEL

	AUXILIARY PORTS				BALL DRAIN	TOTAL Plus Aux Port Prices
	C1	C2	C3	C4		
					N/C	
					D=Drain Z=No Drain	

Dimensional Minimum
AKE131111D
 28.2 lb (12.8 kg)
 8.7" (22.1 cm) height
 10.3" (26.2 cm) width
 12.9" (32.8 cm) depth



- Electric Valve Control
- 4" (102mm) ANSI 150 Flange Inlet
- 4" (102mm) ANSI 150 Flange Outlet



Includes Interface Enclosure

Dimensional Maximum
AKE13*****
 58.2 lb (26.4 kg)
 8.7" (22.1 cm) height
 33.2" (84.3 cm) width
 24.1" (61.2 cm) depth

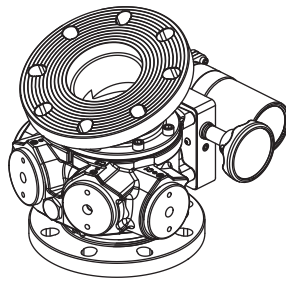
AKE13

\$3800.00

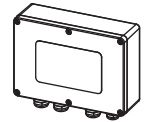
BASE MODEL

	AUXILIARY PORTS				BALL DRAIN	TOTAL Plus Aux Port Prices
	C1	C2	C3	C4		
					N/C	
					D=Drain Z=No Drain	

**Dimensional Minimum
AKE14******
29.4 lb (13.3 kg)
9.9" (25.1 cm) height
10.3" (26.2 cm) width
12.9" (32.8 cm) depth



- Electric Valve Control
- 4" (102mm) ANSI 150 Flange Inlet
- 22.5° 4" (102mm) ANSI 150 Flange Outlet



Includes Interface Enclosure

**Dimensional Maximum
AKE14******
59.4 lb (26.9 kg)
9.9" (25.1 cm) height
33.2" (84.3 cm) width
24.1" (61.2 cm) depth

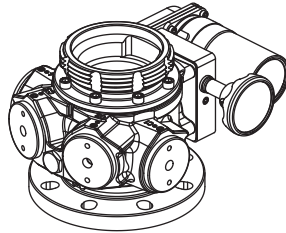
AKE14

\$4120.00

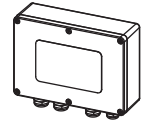
BASE MODEL

C1	AUXILIARY PORTS			C4	BALL DRAIN	TOTAL Plus Aux Port Prices
	C2	C3	C3			
					N/C	
					D=Drain Z=No Drain	

**Dimensional Minimum
AKE1Q1111D**
26.0 lb (11.8 kg)
8.2" (20.8 cm) height
10.3" (26.2 cm) width
12.9" (32.8 cm) depth



- Electric Valve Control
- 4" (102mm) ANSI 150 Flange Inlet
- 4.5" NH (114mm) Quick Connect Outlet for Monitors and Elbows



Includes Interface Enclosure

**Dimensional Maximum
AKE1Q******
56.0 lb (25.4 kg)
8.2" (20.8 cm) height
33.2" (84.3 cm) width
24.1" (61.2 cm) depth

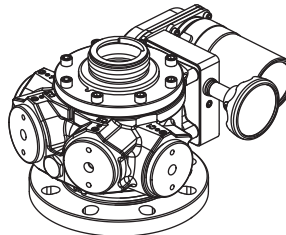
AKE1Q

\$2975.00

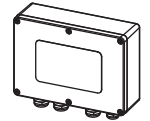
BASE MODEL

C1	AUXILIARY PORTS			C4	BALL DRAIN	TOTAL Plus Aux Port Prices
	C2	C3	C3			
					N/C	
					D=Drain Z=No Drain	

**Dimensional Minimum
AKE1T1111D**
21.2 lb (9.6 kg)
8.1" (20.7 cm) height
10.3" (26.2 cm) width
12.9" (32.8 cm) depth



- Electric Valve Control
- 4" (102mm) ANSI 150 Flange Inlet
- 2.5" NH (64mm) Quick Connect Outlet for Tornado Monitor



Includes Interface Enclosure

**Dimensional Maximum
AKE1T******
51.2 lb (23.2 kg)
8.1" (20.7 cm) height
33.2" (84.3 cm) width
24.1" (61.2 cm) depth

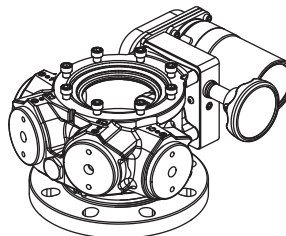
AKE1T

\$2975.00

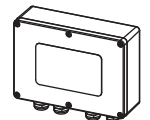
BASE MODEL

C1	AUXILIARY PORTS			C4	BALL DRAIN	TOTAL Plus Aux Port Prices
	C2	C3	C3			
					N/C	
					D=Drain Z=No Drain	

**Dimensional Minimum
AKE1V******
21.9 lb (9.9 kg)
6.1" (15.5 cm) height
10.3" (26.2 cm) width
12.9" (32.8 cm) depth



- Electric Valve Control
- 4" (102mm) ANSI 150 Flange Inlet
- For integrated Tornado (no coupling)
- For 1.5" (38mm) offset Typhoon



Includes Interface Enclosure

**Dimensional Maximum
AKE1V******
51.9 lb (23.5 kg)
6.1" (15.5 cm) height
33.2" (84.3 cm) width
24.1" (61.2 cm) depth

AKE1V

\$2975.00

BASE MODEL

C1	AUXILIARY PORTS			C4	BALL DRAIN	TOTAL Plus Aux Port Prices
	C2	C3	C3			
					N/C	
					D=Drain Z=No Drain	

BALL INTAKE VALVE RC

The Ball Intake Valve RC is an electric remote controlled valve with all the benefits of TFT's Ball Intake Valve with the addition of powered operation. A large handwheel is installed on the drive shaft for immediate manual override. Designed for 12 VDC or 24 VDC operation, selection is automatic. The motor control circuit uses an encoder and current limiting to protect the drive train at the ends of travel. The panel mounted control box allows for remote operation and contains an LED display showing valve position. Unit comes with a panel mounted quick connect plug for the connection between the valve and control box. Electric drive and control box are waterproof. Mechanical installation consists of attaching the valve to the pump, mounting the control box and quick connect electric plug. Six seconds from open to close meets NFPA 1901 slow close requirement. The unit comes equipped with a rugged 0.75" (19mm) drain valve to quickly drain water from the valve housing. A port for an optional air bleed valve is incorporated into the design for user friendly configurability. Contact TFT customer service for configurations not shown. Pressure Loss Chart is located at the end of catalog.

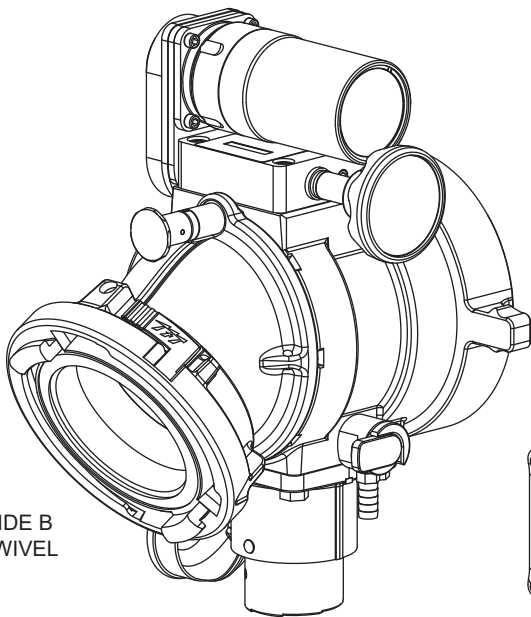
Dimensional Maximum
AB7HNX-NX-RC
40.0 lbs (18.0kg)
16.50" (42.0cm) Height
13.00" (26.0cm) Width
14.00" (35.8cm) Depth

For additional air bleed during operation, simply install a bleed valve with 3/4" NPT (19mm) inlet. A bleed valve can be purchased if desired.

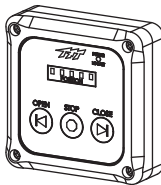


To add an additional Vent/Drain for the BIV or Jumbo BIV order A1621-KIT. See page 209.

\$4285.00



AB3ST-NX-RC



Control Box

Adapters for 4 or 4 1/2" (100 or 115 mm) pump inlets.

	4.00" (100.0mm) Pump Inlet Adapter	4.50" (110.0mm) Pump Inlet Adapter
6" (152mm) Threaded Male	AA9NX-NP \$150.00	AA9NX-NR \$150.00

For additional control heads order A-DISP (page 173).

Storz couplings are shipped with a pressure gasket installed. A suction gasket is available upon request for drafting operations.

To change a 4" (104mm) or 5" (127mm) Storz from rigid to full time swivel, back out the lockout screw until the coupling moves freely. See page 212 for diagram

If a Pressure Relief Valve (PRV) is not required, substitute the part number prefix AB with AC.
AC denotes no PRV, deduct \$260 from the appropriate AB published list price.

Pressure Relief Valve information is located on page 125.

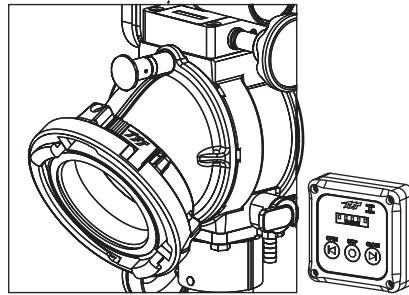
Suction Screen information is located on page 209, under LDH service kits.

Side B

Side A

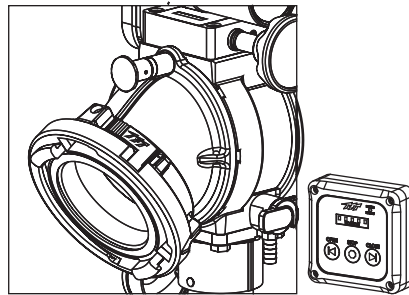
AB		—		— RC
-----------	--	---	--	------

1SP) 4.0" (102mm)
Rigid Storz
1ST) 5.0" (127mm)
Rigid Storz
1SX) 6.0" (152mm)
Rigid Storz



NT) 5.0" (127mm)
Threaded Swivel
NX) 6.0" (152mm)
Threaded Swivel

3SP) 4.0" (102mm)
Swivel Storz
3ST) 5.0" (127mm)
Swivel Storz
3SX) 6.0" (152mm)
Swivel Storz

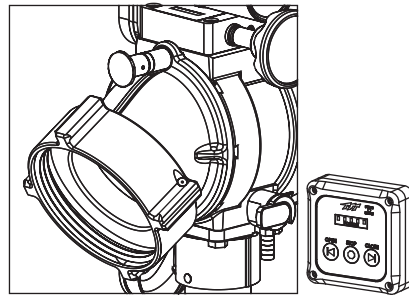


AB		-		- R C
-----------	--	---	--	-------

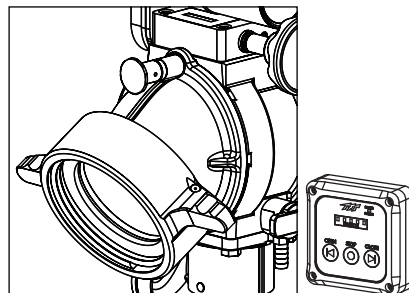
(Choose Side A/Side B suffix from table)
Example: A 5.0" (127mm) Rocker lug Female Swivel
on Side B to a 6.0" NH (152mm) Female Swivel on
Side A would be

AB	7	N	T	-	N	X	-	R	C
----	---	---	---	---	---	---	---	---	---

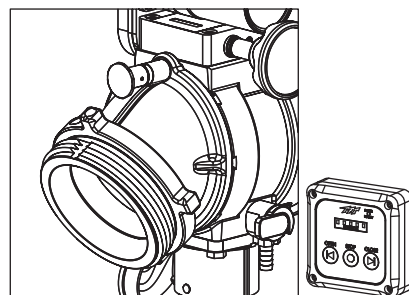
7NN) 3.5" (89mm)
Threaded Swivel
7NP) 4.0" (102mm)
Threaded Swivel
7NR) 4.5" (114mm)
Threaded Swivel
7NT) 5.0" (127mm)
Threaded Swivel



7HNP) 4.0" (102mm)
Threaded Swivel Handle
7HNR) 4.5" (114mm)
Threaded Swivel Handle
7HNT) 5.0" (127mm)
Threaded Swivel Handle
7HNX) 6.0" (152mm)
Threaded Swivel Handle



8NP) 4.0" (102mm)
Male Threaded Rigid
8NR) 4.5" (114mm)
Male Threaded Rigid
8NT) 5.0" (127mm)
Male Threaded Rigid
8NX) 6.0" (152mm)
Male Threaded Rigid



JUMBO BALL INTAKE VALVE RC

The Jumbo Ball Intake Valve RC is an electric remote controlled valve with all the benefits of TFT's Jumbo Ball Intake Valve with the addition of powered operation. A handwheel is installed on the drive shaft for immediate manual override. Designed for 12 or 24 VDC operation, selection is automatic. The motor control circuit uses an encoder and current limiting to protect the drive train at the ends of travel. The panel mounted control box allows for remote operation and contains an LED display showing valve position. Unit comes with a panel mounted quick connect plug for the connection between the valve and control box. Electric drive and control box are waterproof. Mechanical installation consists of attaching the valve to the pump, mounting the control box and quick connect electric plug. Six seconds from open to close, meets NFPA 1901 slow close requirement. The unit comes equipped with a rugged 0.75" (19mm) drain valve to quickly drain water from the valve housing. A port for an optional air bleed valve is incorporated into the design for user friendly configurability. Contact TFT customer service for configurations not shown. Pressure Loss Chart is located at the end of catalog.

Dimensional Maximum
AX7HNX-NX-RC
40.0 lbs (18.0kg)
17.60" (45.0cm) Height
13.00" (26.0cm) Width
15.50" (39.0cm) Depth
***Side A = NY \$5335.00**

\$4660.00

For additional air bleed during operation, simply install a bleed valve with 3/4" NPT (19mm) inlet. A bleed valve can be purchased if desired.

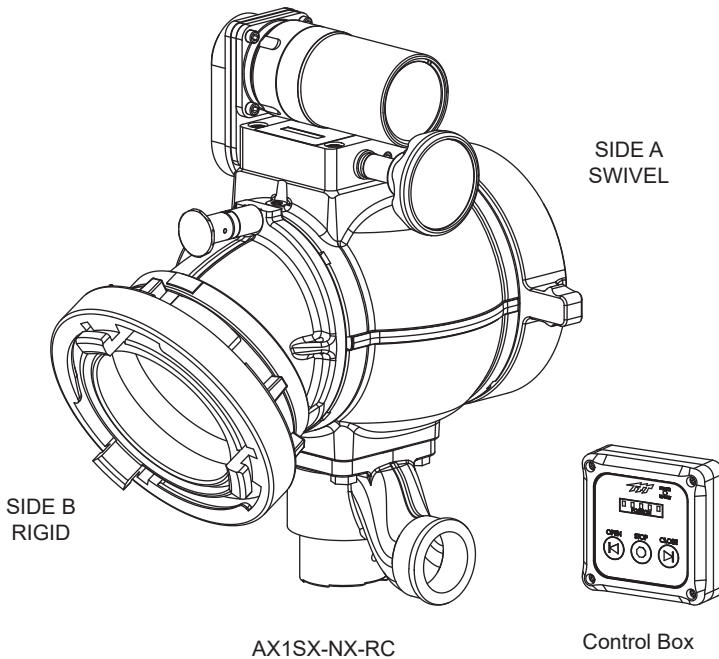


To add an additional Vent/Drain for the BIV or Jumbo BIV order A1621-KIT. See page 209.

Adapters for 4 or 4 1/2" (100 or 115 mm) pump inlets.

	4.00" (100.0mm) Pump Inlet Adapter	4.50" (110.0mm) Pump Inlet Adapter
6" (127mm) Threaded Male	AA9NX-NP \$150.00	AA9NX-NR \$150.00

For additional control heads order A-DISP (page 173).



Storz couplings are shipped with a pressure gasket installed. A suction gasket is available upon request for drafting operations.

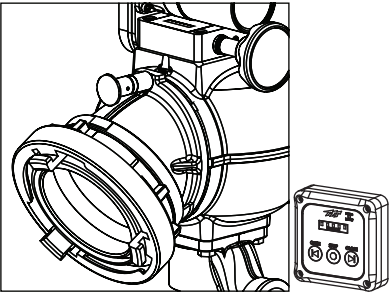
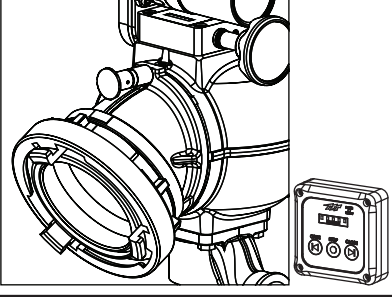
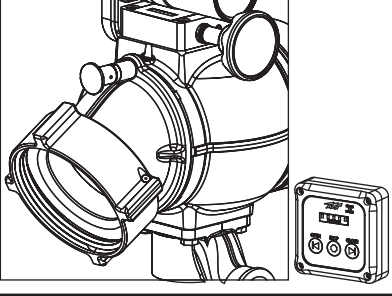
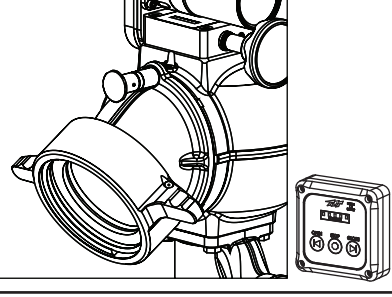
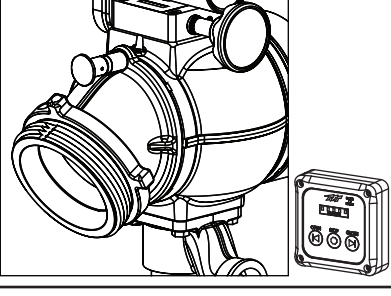
To change a 4" (102mm) or 5" (127mm) Storz from rigid to full time swivel, back out the lockout screw until the coupling moves freely. See page 212 for diagram

If a Pressure Relief Valve (PRV) is not required, substitute the part number prefix AX with AZ.
AZ denotes no PRV, deduct \$260 from the appropriate AX published list price.

Pressure Relief Valve information is located on page 125.

Suction Screen information is located on page 209, under LDH service kits.

JUMBO BALL INTAKE VALVE™ RC REMOTE CONTROL

Side B		Side A		
AX		—		— RC
1SP) 4.0" (102mm) Rigid Storz 1ST) 5.0" (127mm) Rigid Storz 1SX) 6.0" (152mm) Rigid Storz			NX) 6.0" (152mm) Threaded Swivel NY) 8.0" (203mm) Threaded Swivel*	
3SP) 4.0" (102mm) Swivel Storz 3ST) 5.0" (127mm) Swivel Storz 3SX) 6.0" (152mm) Swivel Storz				
7NN) 3.5" (89mm) Threaded Swivel 7NP) 4.0" (102mm) Threaded Swivel 7NR) 4.5" (114mm) Threaded Swivel 7NT) 5.0" (127mm) Threaded Swivel				
7HNP) 4.0" (102mm) Threaded Swivel Handle 7HNR) 4.5" (114mm) Threaded Swivel Handle 7HNT) 5.0" (127mm) Threaded Swivel Handle 7HNX) 6.0" (152mm) Threaded Swivel Handle				
8NP) 4.0" (102mm) Male Threaded Rigid 8NR) 4.5" (114mm) Male Threaded Rigid 8NT) 5.0" (127mm) Male Threaded Rigid 8NX) 6.0" (152mm) Male Threaded Rigid				

AX - - - **R C**

(Choose Side A/Side B suffix from table)
Example: A 5.0" (127mm) Rocker lug Female Swivel on Side B to a 6.0" NH (152mm) Female Swivel on Side A would be

AX 7 N T - N X - R C

JUMBO LOW PROFILE BALL INTAKE VALVE™ RC REMOTE CONTROL

AXD Series – The Jumbo Low Profile Ball Intake Valve RC is an electric remote controlled valve with all the benefits of TFT's Jumbo Low Profile Ball Intake Valve with the addition of powered operation. A handwheel is installed on the drive shaft for immediate manual override. Designed for 12 or 24 VDC operation, selection is automatic. The motor control circuit uses an encoder and current limiting to protect the drive train at the ends of travel. The panel mounted control box allows for remote operation and contains an LED display showing valve position. Unit comes with a panel mounted quick-connect plug for connection between the valve and control box. Electric drive and control box are waterproof. Mechanical installation consists of attaching the valve to the pump, mounting the control box and quick-connect electric plug. Six seconds from open to close, meets NFPA 1901 slow close requirement. The valve is designed for pressure or vacuum service. Maximum operating pressure is 250 psi (17 bar). Meets 900 psi (62 bar) hydrostatic strength test. A rugged ¼-turn Air Vent at the top of the valve allows air to be bled quickly. TFT's adjustable Pressure Relief Valve (PRV) is installed with the discharge pointing downward and meets NFPA 1901. The aluminum castings are hard coat anodized, and TFT Powder Coated finished inside and out for maximum corrosion protection. All wetted components are aluminum alloys to prevent galvanic corrosion, and are specially coated for additional corrosion protection. Hose coupling and truck connections are attached to the valve using polymer bearing rings which can provide electrical isolation to help prevent galvanic corrosion. The Jumbo Low Profile Ball Intake Valve RC is covered by a 10 year warranty. Contact TFT customer service for configurations not shown. Friction loss is 5 psi (0,3bar) at 2000 gpm (7571 l/min); Pressure Loss Chart is located at the end of catalog.



The Low Profile Jumbo Intake Value series includes a 10 year warranty against manufacturing defects and corrosion that affects the valve's operational performance.

Dimensional Maximum
AXD7HNX-NXRC
 30.5 lbs (13.8kg)
 12.3" (31.2cm) Height
 15.6" (39.6cm) Width
 11.3" (28.7cm) Depth
 *Side A = NY \$5090.00

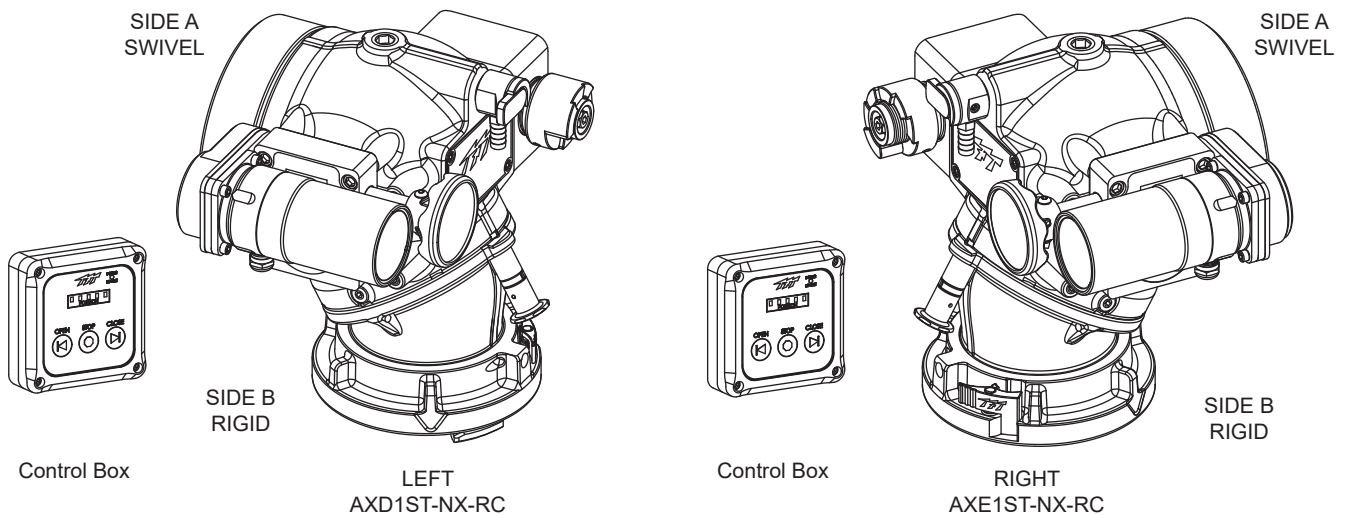
Adapters for 4 or 4.5" (100 or 114 mm) pump inlets.

	4.00" (100.0mm) Pump Inlet Adapter	4.50" (110.0mm) Pump Inlet Adapter
6" (152mm) Threaded Male	AA9NX-NP \$150.00	AA9NX-NR \$150.00

\$4410.00

Storz couplings are shipped with a pressure gasket installed. A suction gasket is available upon request for drafting operations.

To change a 4" (102mm) or 5" (127mm) Storz from rigid to full time swivel, back out the lockout screw until the coupling moves freely. See page 212 for diagram

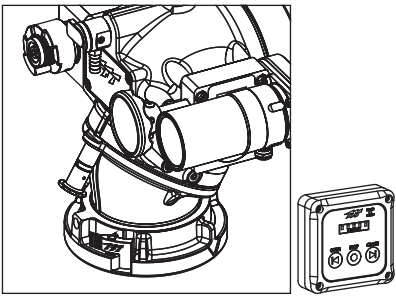
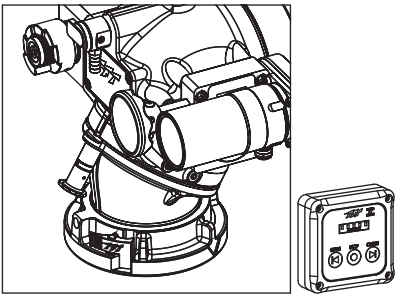
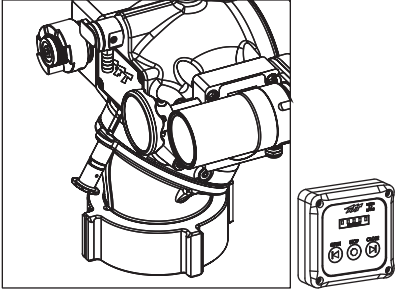
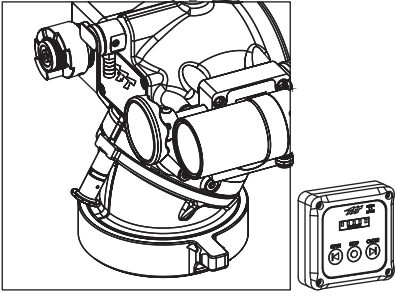
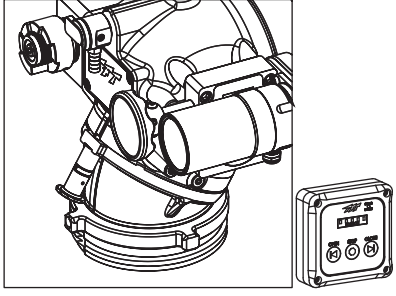


If a Pressure Relief Valve (PRV) is not required, substitute the part number prefix AXD with AZD or AXE with AZE. AZD or AZE denotes no PRV, deduct \$260 from the appropriate AXD or AXE published list price.

Pressure Relief Valve information is located on page 125.

Suction Screen information is located on page 209, under LDH service kits.

JUMBO LOW PROFILE BALL INTAKE VALVE™ RC REMOTE CONTROL

Crank Side	Side B		Side A		RC
AXD) Left AXE) Right	1SP) 4.0" (102mm) Rigid Storz 1ST) 5.0" (127mm) Rigid Storz 1SX) 6.0" (152mm) Rigid Storz		NT) 5.0" (127mm) Threaded Swivel NX) 6.0" (152mm) Threaded Swivel NY) 8.0" (203mm) Threaded Swivel*		
	3SP) 4.0" (102mm) Swivel Storz 3ST) 5.0" (127mm) Swivel Storz 3SX) 6.0" (152mm) Swivel Storz				
	7NN) 3.5" (89mm) Threaded Swivel 7NP) 4.0" (102mm) Threaded Swivel 7NR) 4.5" (114mm) Threaded Swivel 7NT) 5.0" (127mm) Threaded Swivel				
	7HNP) 4.0" (102mm) Threaded Swivel Handle 7HNR) 4.5" (114mm) Threaded Swivel Handle 7HNT) 5.0" (127mm) Threaded Swivel Handle 7HNX) 6.0" (152mm) Threaded Swivel Handle				
	8NP) 4.0" (102mm) Male Threaded Rigid 8NR) 4.5" (114mm) Male Threaded Rigid 8NT) 5.0" (127mm) Male Threaded Rigid 8NX) 6.0" (152mm) Male Threaded Rigid				

AX* - - **RC**

(Choose Left or Right Side A/Side B suffix from table)
Example: A Left 4.0" (102mm) Rocker lug Female Swivel on Side B to a 6.0" NH (152mm) Female Swivel on Side A would be

AXD 7 N P - N X - RC

OEM INSTALLED PRODUCTS

PURPLE Category - Industrial Products

The Purple category includes industrial products that typically are installed in industrial facilities and often have special certification such as Factory Mutual or ATEX. This category includes fixed gal-lonage industrial master stream nozzles, manual and remote control monitors, and hydrant related valves.

ATEX APPROVED

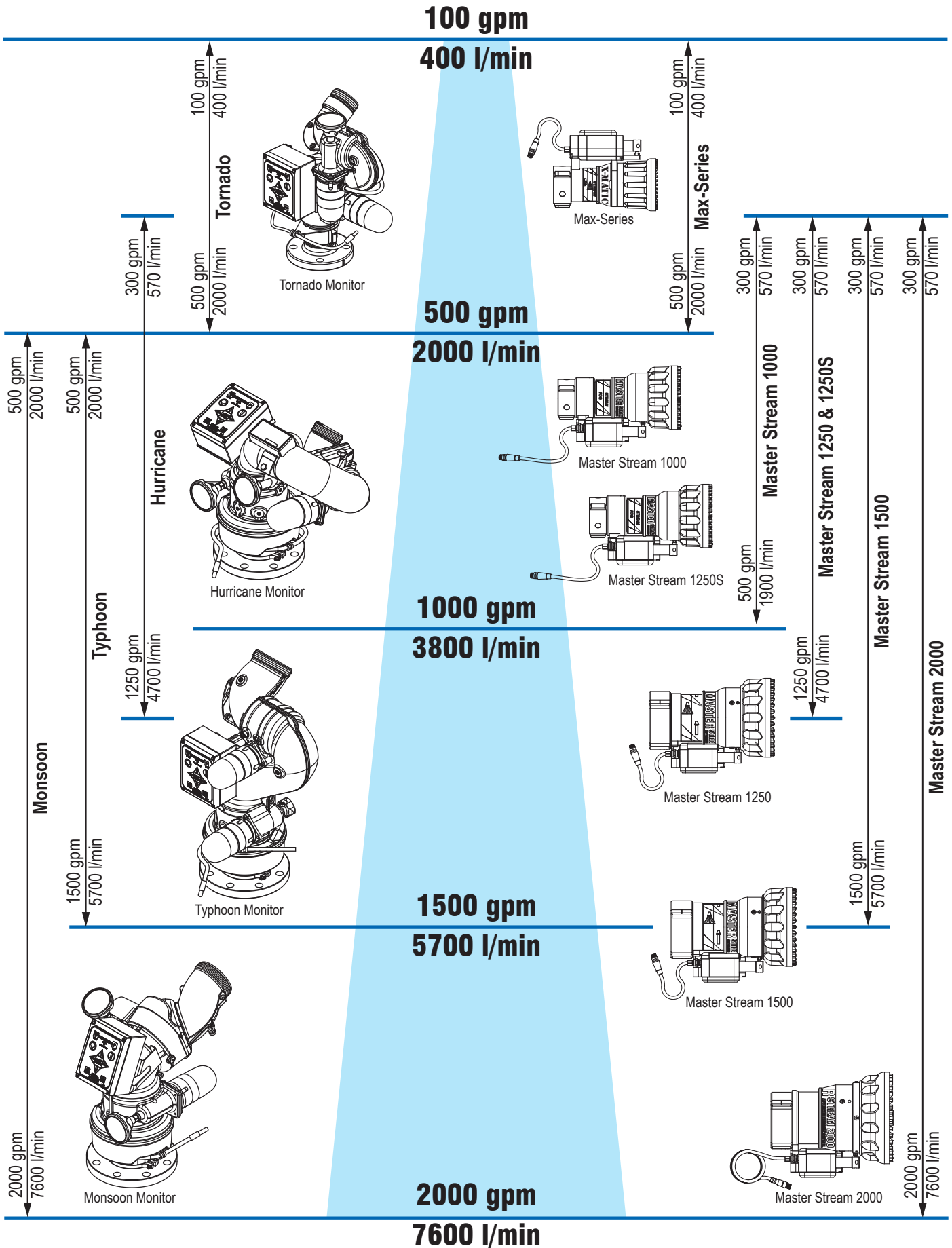
ATEX Approved RC Nozzles	193
ATEX RC Monitors	194

STATION MONITOR

Protector Station Monitor.....	195
Flanged Monitor Series	196
Tornado OSC Series.....	197

INDUSTRIAL

ZN Industrial Nozzles	198
IVUM (Industrial Valve Under Monitor).....	199
HUM Hydrant Under Monitor	200-202
Booster and Booster OSC	203-205
The Ultimate Combo.....	206
Oasis Under Monitor.....	207
Quick Connect Inlet Adapters.....	208
Quick connect Elbow	208



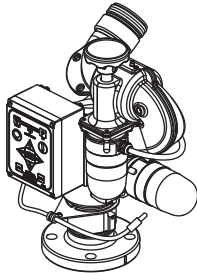
ATEX MONITORS

TFT ATEX RC Monitors are electrically operated with high flow and low friction loss characteristics. Designed for 12 VDC or 24 VDC operation, selection is automatic. Horizontal and elevation stream positions are controlled by strong DC motors and a factory installed control panel mounted on the monitor. Position encoders and current limiting are used to protect the drive train at the ends of travel. Field changeable stops for horizontal rotation and elevation are included. Available with various inlets and outlets. TFT's ERP nozzle plugs into the factory installed nozzle power wire. Electric drives and control box are waterproof, meeting requirements for an IP65 rating. Main waterway made from hard coat anodized ANSI 356-T6 aluminum with red powder coat finish inside and out.

TFT ATEX RC Monitors are designed, tested and approved for use in Classified Hazardous Locations as defined by European Directive 94/9/EC, commonly referred to as the ATEX Directive. Further classification identifies that Zone 2, Category 3 environments are suitable locations for this equipment. It is important to note that only the RC Monitor and Nozzle are certified for installation in the hazardous area. TFT RC Monitor Operator Stations may be used to control monitor functions, but must be installed outside of the hazardous area according to application requirements. It is the responsibility of the facility design engineer to determine suitable location and connection of components for use in the hazardous environment based on electrical, mechanical, hydraulic, and hazardous location classification requirements.

TFT ATEX RC Monitors are shipped for use with wired controls/operator stations. For 2.4 GHz wireless control, please consult factory for ordering details

TORNADO
\$10,070.00
 Information
 Page 146

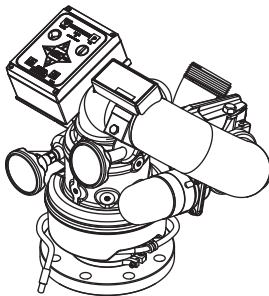


Y2-E

Inlet	Outlet
1) 2.5"-7.5 NH (64mm) Female	1) 2.5"-7.5 NH (64mm) Male
2) 2.5"-11 BSP (64mm) Female	2) 2.5"-11 BSP (64mm) Male
3) 2.0"-11 BSP (51mm)Female	3) 1.5"-11 BSP (38mm) Male
5) DN80, PN16	4) 1.5"-9 NH (38mm) Male
6) 2.5" (64mm) ANSI 150	
7) 2.5"-8 NPT (64mm) Female	
8) 2.0"-11.5 NPT (51mm) Female	
9) 3.0" -8 NPT (76mm)Female	

A-A

HURRICANE
\$10,875.00
 Information
 Page 151

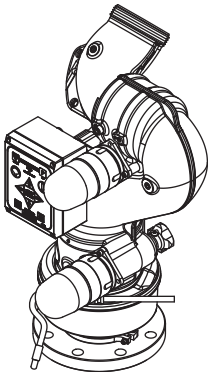


XFIH-E

Inlet	Outlet
1) 3" (76mm) ANSI 150	1) 2.5" - 7.5 NH Male (65mm)
2) 4" (102mm) ANSI 150	2) 2.5" - 11 BSP Male (65mm)
4) DN80, PN16	
5) DN100, PN16	
6) 3" NPT (76mm) Female	
7) 4" NPT (102mm) Female	
8) 3" BSP (76mm) Male	
9) 4" BSP (102mm) Male	

A-A

TYPHOON
\$11,485.00
 Information
 Pages 154

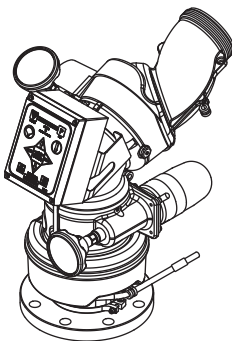


Y5-E

Inlet	Outlet
1) 3" (76mm) ANSI 150	1) 3.5"-6 NH (89mm) Male
2) 4" (102mm) ANSI 150	2) 3.5"-11 BSP (89mm) Male
5) DN100, PN16	4) 4.0"-11 BSP (102mm) Male
6) 3" NPT (Female)	
7) 4" NPT Female	

A-A

MONSOON
\$12,075.00
 Information
 Page 162



Y4-E

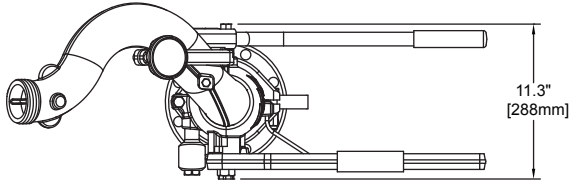
Inlet	Outlet
1) 3" (76mm) ANSI 150	1) 3.5"-6 NH (89mm) Male
2) 4" (102mm) ANSI 150	2) 3.5"-11 BSP (89mm) Male
3) 6" (152mm) ANSI 150	3) 3.5"-8 NPSH (89mm) Male
4) DN80, PN16	4) 4.0"-11 BSP (102mm) Male
5) DN100, PN16	
6) 3" NPT (76mm) Female	
7) 4" NPT (102mm) Female	
8) 3" BSP (76mm) Male	
9) 4" BSP (102mm) Male	

A-A

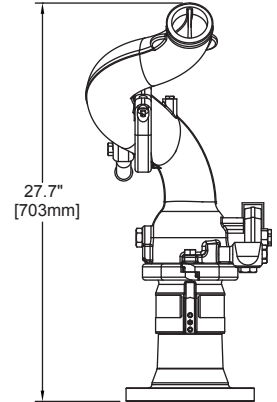
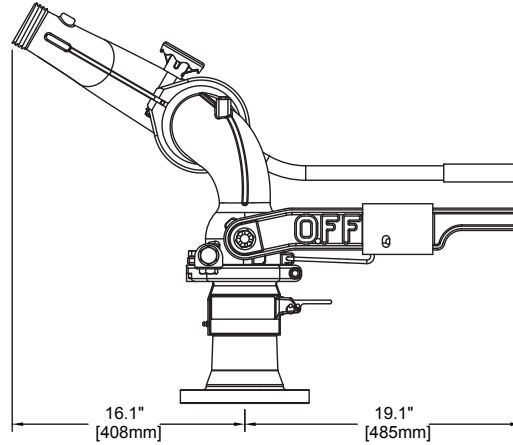


Fixed Station Monitor - Up To 1250 GPM (4750 l/min)

The Task Force Tips' Protector is a simple and rugged fixed station monitor with many unique features. Its patented waterway gives low friction loss and delivers water to the nozzle with fewer twists and turns than a conventional monitor. The optional built-in on/off valve with position indicator eliminates the need to add a costly valve to the monitor installation. The Protector is capable of flowing up to 1250 gpm (4750 l/min) while maintaining a FULL 360° rotational ability. The lever-action rotational lock is activated in one motion, visually confirmed, and securely holds the monitor's horizontal position. The Protector can be directly bolted to many common pipe flanges. The outlet is available with various 2.5" (65mm) male threads. The simple and basic design requires no grease application or other maintenance. Swiveling elements and seals (including valve seat) can be replaced within a few minutes with common hand tools. Threaded ports (0.25" NPT) (6mm) are provided for drain valve (included) and pressure gauge installation. Maximum pressure is 250 psi (17 bar). The Protector is hard coat anodized ANSI 356-T6 aluminum and is fully powder coat finished inside and out. Swivel clamps, 3" (75mm) valve ball, trunnions, and hardware are 18-8 stainless steel.



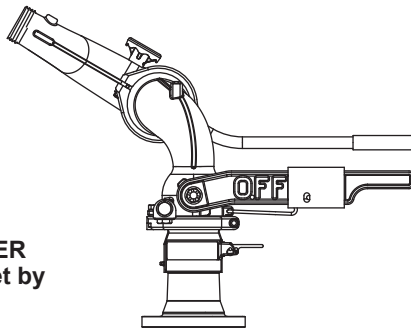
**OPTIONAL 6" (152mm)
FLANGE INLET ADAPTER
AVAILABLE**



INLET SPECIFICATIONS					
FITS FLANGE	OUTSIDE DIAMETER	THICKNESS	BOLT HOLE CIRCLE	NUMBER OF BOLTS	SIZE OF BOLTS
3" (76mm) ANSI 125/150 - DN80 PN20	7.50" / 190 mm	0.75" / 20 mm	6.00" / 152.5 mm	4	5/8" / M16
4" (102mm) ANSI 150 - DN100 PN20	9.00" / 230 mm	0.94" / 3 mm	7.50" / 90.5 mm	8	5/8" / M16
DN80 PN16	200 mm	22 mm	160 mm	8	16 mm
DN100 PN16	220 mm	22 mm	180 mm	8	16 mm

Z1111A
\$2465.00
35.2 lb (15.7kg)

SAMPLE PART NUMBER
Specify Inlet and Outlet by
number from chart



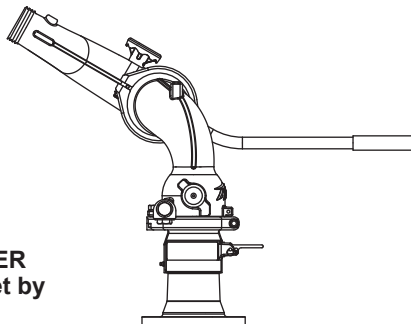
Z11

A	
Inlet	Outlet
1) 3" (76mm) ANSI 150	1) 2.5" (65mm) - 7.5 NH
2) 4" (102mm) ANSI 150	2) 2.5" (65mm) - 11 BSP
4) DN80, PN16	3) 2.5" (65mm) - 11.5 NPSH
5) DN100, PN16	9) SPECIAL THREADS

No Valve with Threaded Exit - Protector monitor without on/off valve and with 2.5" (65mm) threaded exit. 1250 gpm (4500 l/min) rating. See chart to obtain model number for specific inlet and outlet options.

Z1211A
\$1850.00
27.8 lb (12.6kg)

SAMPLE PART NUMBER
Specify Inlet and Outlet by
number from chart



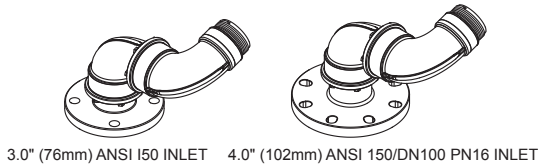
Z12

A	
Inlet	Outlet
1) 3" (76mm) ANSI 150	1) 2.5" (65mm) - 7.5 NH
2) 4" (102mm) ANSI 150	2) 2.5" (65mm) - 11 BSP
4) DN80, PN16	3) 2.5" (65mm) - 11.5 NPSH
5) DN100, PN16	9) SPECIAL THREADS

FLANGED MONITOR SERIES

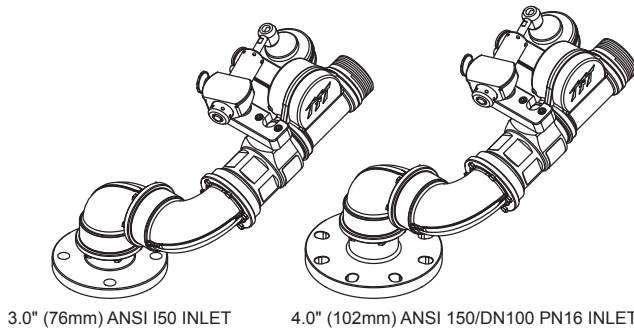
The **FLANGED OSCILLATING MONITOR** can be used for exposure protection, cooling, or any other situation where it is desirable to have a monitor sweep back and forth. It is intended for mounting on fixed piping structures and is offered with a 3" (76mm) ANSI I50 or 4" (102mm) ANSI I50 150/DN100 PN16 inlet flange. The Flanged Oscillating Monitor operates between 20° either side of center, and is adjustable to 90° up and 45° down relative to the flange. The maximum flow rate is 500 gpm (2000 l/min). The sweep can be set for a 20, 30, or 40° sweep. The oscillating mechanism can be disengaged and the stream can be aimed manually. The speed of the oscillator is a function of the flow rate.

XX-**
\$995.00
 11.5 lb (5.2kg)
 6.7" (16.9 cm) height
 7.4" (18.8 cm) width
 5.9" (14.9 cm) depth



	SIDE A - Inlet Flange	SIDE B - Outlet
XX-		
	A) 3" (76mm) ANSI 150 B) 4" (102mm) ANSI 150/DN100 PN16	A) 2.5" NH (64mm) B) 2.5" BSP (64mm) C) 2.5" NPSH (64mm) D) SPECIAL THREADS

XX-OSC-**
\$2705.00
 21.0 lb (9.5 kg)
 6.7" (16.9 cm) height
 7.4" (18.8 cm) width
 16.3" (41.5 cm) depth

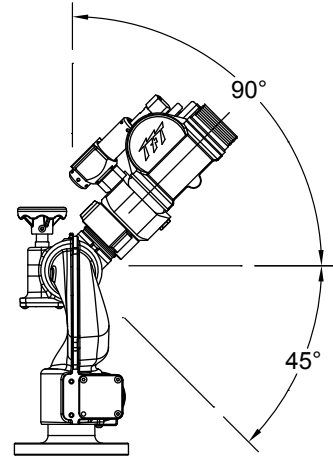
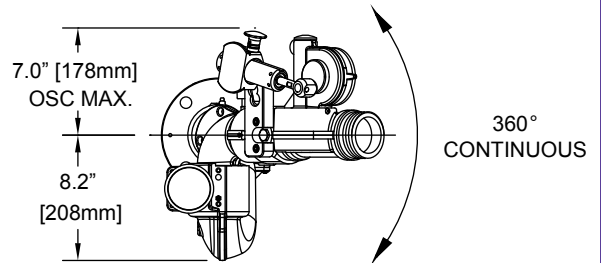
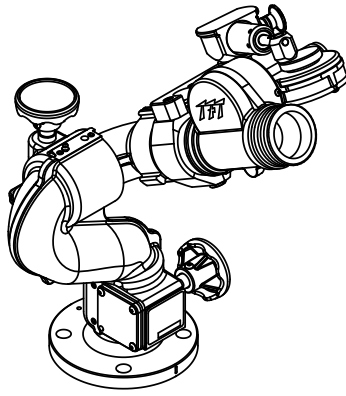


	SIDE A - Inlet Flange	SIDE B - Outlet
XX-OSC-		
	A) 3" (76mm) ANSI 150 B) 4" (102mm) ANSI 150/DN100 PN16	A) 2.5" NH (64mm) B) 2.5" BSP (64mm) C) 2.5" NPSH (64mm) D) SPECIAL THREADS

**OPTIONAL 6" (102mm) FLANGE
 INLET ADAPTER AVAILABLE**

Rated up to 500 gpm (2000 l/min), the TORNADO OSC is a truck-mounted or fixed installation monitor. The monitor outlet has a user adjustable sweep pattern of 20°, 30°, or 40° automatic oscillating sweep pattern with manual override. The oscillating outlet component can be rotated to allow side to side, up and down, or any angle in between. An internal water-driven turbine shall power the oscillation without discharging water to the ground below the unit. The handwheels shall provide elevation control from 90° above horizontal to 45° below horizontal, and a full 360° continuous horizontal rotation. User installed travel limit stops shall be included. The monitor is constructed of hard coat anodized aluminum alloy with a red powder coat finish inside and out. Various flange inlets are available (specify).

Y2-SA**
\$2590.00
26.8 lb (12.2kg)



When ordering a TORNADO OSC, choose one option from each category.

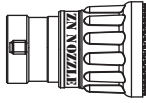
For example: Model Y2-SF1A is a 3.0" (76mm) ANSI 150 Inlet with a 2.5" -7.5 NH (64mm) Male Outlet. For assistance in ordering, please call 1-800-348-2686 and speak to a nozzle specialist.

	SIDE A - Inlet Flange	SIDE B - Outlet	
Y2-S			A
	D) 2.5" (64mm) ANSI 150 F) 3.0" (76mm) ANSI 150 G) 4.0" (102mm) ANSI 150/ DN100 PN16	1) 2.5" - 7.5 NH (64mm) MALE 2) 2.5" - 11 BSP (64mm) MALE 3) 2.5" - 8 NPSH (64mm) MALE 9) SPECIAL 2.5" (64mm)	

INDUSTRIAL NOZZLES

The TFT fixed gpm water nozzle is a simple and rugged industrial nozzle with superior stream quality and reach. This fixed gallonage fog nozzle rated at 100 psi (7 bar) is available with your choice of 350, 500, or 750 gpm (1300, 2000, or 3000 l/min). Fog angle is user adjustable between 120° wide fog and straight stream. The nozzle's baffle can be removed with a wrench for flushing debris. The standard inlet is 2.5" NH, NPSH, or BSP (64mm) female thread. The simple and basic design requires minimal maintenance. The rubber bumper is UV resistant. The fixed gpm water nozzle is hard coat anodized aluminum. The fixed flow nozzle can be used with water or premixed foam solution.

ZN11A
\$605.00
 4.5 lb (2.0kg)
 6.00" (15.2cm)



ZN

SAMPLE PART NUMBER
 Specify Thread and Flow by
 number from chart

Choose one option from each category. For assistance in ordering, please call 1-800-348-2686 and speak to a nozzle specialist.

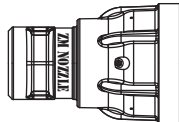
THREADS (Rigid)	FLOW
1) 2.5"-7.5 NH FEMALE 2) 2.5"-11 BSP FEMALE 3) 2.5"-11.5 NPSH FEMALE 4) 2.5" CODE-AT (CSA) (2.5" = 64mm)	0) 250 GPM @ 100 PSI — K-factor = 25 (950 l/min @ 7 bar) 1) 350 GPM @ 100 PSI — K-factor = 35 (1300 l/min @ 7 bar) 2) 500 GPM @ 100 PSI — K-factor = 50 (2000 l/min @ 7 bar) 3) 750 GPM @ 100 PSI — K-factor = 75 (3000 l/min @ 7 bar) 4) User Specified Kfactor = 15 - 75

A

ZM INDUSTRIAL NOZZLES

The Task Force Tips fixed gpm water nozzle is a simple and rugged industrial nozzle with superior stream quality and reach. This fixed gallonage fog nozzle rated at 100 psi (7 bar) is available with your choice of 500, 750, 1000, or 1250 (2000, 3000, 4000, or 4750 l/min). Fog angle is user adjustable between 120° wide fog and straight stream. The nozzle's baffle can be removed with a wrench for flushing debris. The standard inlet is 2.5" NH, NPSH, or BSP (65mm) female thread. The simple and basic design requires no grease or other maintenance. The fixed gpm water nozzle is powder coated and hard coat anodized ANSI A356.0 T6 aluminum. The fixed gpm nozzle can be used with water or premixed foam solution.

ZM131
\$855.00
 7.2 lb (3.3kg)
 8.80" (22.4cm)



ZM

SAMPLE PART NUMBER
 Specify Thread and Flow by
 number from chart

Choose one option from each category. For assistance in ordering, please call 1-800-348-2686 and speak to a nozzle specialist.

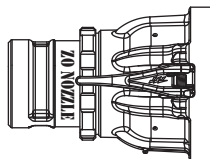
THREADS (Rigid)	FLOW
1) 2.5"-7.5 TPI NH FEMALE 2) 2.5"-11.5 NPSH FEMALE 3) 2.5"-11 BSP FEMALE (2.5" = 64mm)	1) 500 GPM @ 100 PSI — K-factor = 50 (2000 l/min @ 7 bar) 2) 750 GPM @ 100 PSI — K-factor = 75 (3000 l/min @ 7 bar) 3) 1000 GPM @ 100 PSI — K-factor = 100 (3800 l/min @ 7 bar) 4) 1250 GPM @ 100 PSI — K-factor 125 (4750 l/min @ 7 bar) 9) User Specified Kfactor = 50 - 125

1

ZO INDUSTRIAL NOZZLES

The TFT fixed gpm water nozzle is a simple and rugged industrial nozzle with superior stream quality and reach. This fixed gallonage fog nozzle at 100 psi (7 bar) is available with your choice of 1250, 1500, 1750, or 2000 gpm (4750, 5500, 6750, or 7500 l/min). Fog angle is user adjustable between 120° wide fog and straight stream. Folding handles ease moving the shaper from full fog to straight stream. A locking ring can set the nozzle at a desired fog position. The nozzle's baffle can be removed with a wrench for flushing debris. The standard inlet is 3.5" NH or BSP (89mm) female thread. The simple and basic design requires minimal maintenance. The nozzle is Powder Coated and hard coat anodized aluminum. It can be used with water or premixed foam solution.

ZO12
\$1180.00
 22.0 lb (9.9kg)
 11.60" (29.4cm)



ZO

SAMPLE PART NUMBER
 Specify Thread and Flow by
 number from chart



Choose one option from each category. For assistance in ordering, please call 1-800-348-2686 and speak to a nozzle specialist.

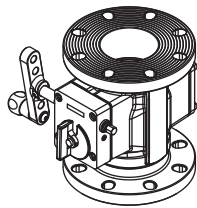
THREADS (Rigid)	FLOW
1) 3.5"-6 NH FEMALE 2) 3.5"-11 BSP FEMALE (3.5" = 89mm)	1) 1250 GPM @ 100 PSI - K-factor = 125 (4750 l/min @ 7 bar) 2) 1500 GPM @ 100 PSI - K-factor = 150 (6000 l/min @ 7 bar) 3) 1750 GPM @ 100 PSI - K-factor = 175 (6600 l/min @ 7 bar) 4) 2000 GPM @ 100 PSI - K-factor = 200 (7600 l/min @ 7 bar) 9) User Specified K-factor = 125 - 200

The 4" (102mm) Integrated Valve Under Monitor (IVUM) is a robust, low friction loss valve intended for installation directly beneath monitors on standpipes with 4" (102mm) ANSI 150 or DN 100 PN16 flange connections. Maximum operation pressure is 300 psi (21 bar). Dual reflective valve position indicators allow 360° visual confirmation from a distance in all light conditions. The inlet flange, half ball and valve seat retainer are available in either hard anodized aluminum or stainless steel. Several options are available for monitor connection, as described below. When integrated with a TFT monitor (side B option X), the monitor flange is omitted to reduce weight, up-front cost and future maintenance expenses.

All models are equipped with an external automatic drain valve to fully drain the monitor and valve body after use, thus minimizing susceptibility to damage from corrosion and freezing water. An optional internal automatic drain valve located within the half ball allows the standpipe to draw atmospheric air to facilitate draining, even while the half ball is closed. It is beneficial in applications where the standpipe will typically be drained following use, especially where freezing conditions are a concern.

Electrically controlled versions of these models are available. (Electronic versions are not FM approved.)
Customer service should be contacted for availability and configurations.

Dimensional Maximum ZAA**
 23.7 lb (10.8 kg)
 10.1" (25.7 cm) height
 11.7" (29.7 cm) width
 11.6" (29.5 cm) depth



SIDE A

SIDE B



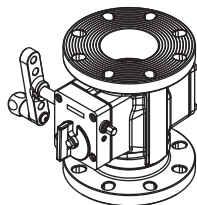
FM Approved for use with FM Approved Monitors

Aluminum 4" (102mm) ANSI 150 inlet

ZAA

Drain Option	SIDE B OUTLET	
D) Additional Drain in Half Ball Z) External Drain Only	O) No Side B Adapter (fits ZCH-Series Booster) X) CODE-RRF for Intergrated TFT Typhoon, Moonson or Hurricane Monitor	\$1595.00
	1) CODE-RPM male threaded outlet 3) 4" (192mm) ANSI 150 Flange 5) 3" (76mm) ANSI 150 Flange Q) 4.5" NH (114mm) Quick Connect for Large Monitors T) 2.5" NH (64mm) Quick Connect for Tornado V) Integrated Tornado (no coupling)	\$1770.00

Dimensional Maximum ZAS**
 35.0 lb (15.9 kg)
 10.1" (25.7 cm) height
 11.7" (29.7 cm) width
 11.6" (29.5 cm) depth



SIDE A

SIDE B

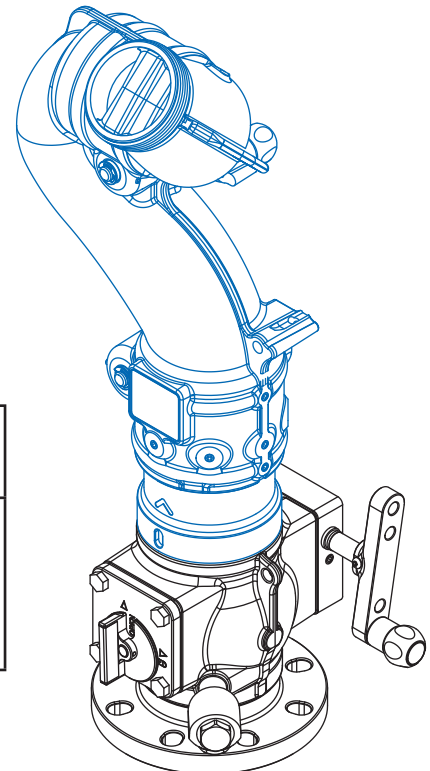


FM Approved for use with FM Approved Monitors

Stainless Steel 4" (102mm) ANSI 150 inlet

ZAS

Drain Option	SIDE B OUTLET	
D) Additional Drain in Half Ball Z) External Drain Only	O) No Side B Adapter (fits ZCH-Series Booster) X) CODE-RRF for Intergrated TFT Typhoon, Moonson or Hurricane Monitor	\$1930.00
	1) CODE-RPM male threaded outlet 3) 4" (192mm) ANSI 150 Flange 5) 3" (76mm) ANSI 150 Flange Q) 4.5" NH (114mm) Quick Connect for Large Monitors T) 2.5" NH (64mm) Quick Connect for Tornado V) Integrated Tornado (no coupling)	\$2090.00



Model ZAAZX or ZASZX
 For Integrated TFT Monitor
 (Typhoon Monitor Shown Not Included)

AA9FL-FP Aluminum SIDE A adapter to use ZAA models on 3" (76mm) ANSI 150 standpipes. Height is 2" (51mm). Not recommended for ZAS models. **\$210.00**

AA9FP-FX - Aluminum SIDE A adapter to use ZAA models on 6" (152mm) ANSI 150 standpipes. Height 2.0" (51mm) not recommended for ZAS models. **\$270.00**

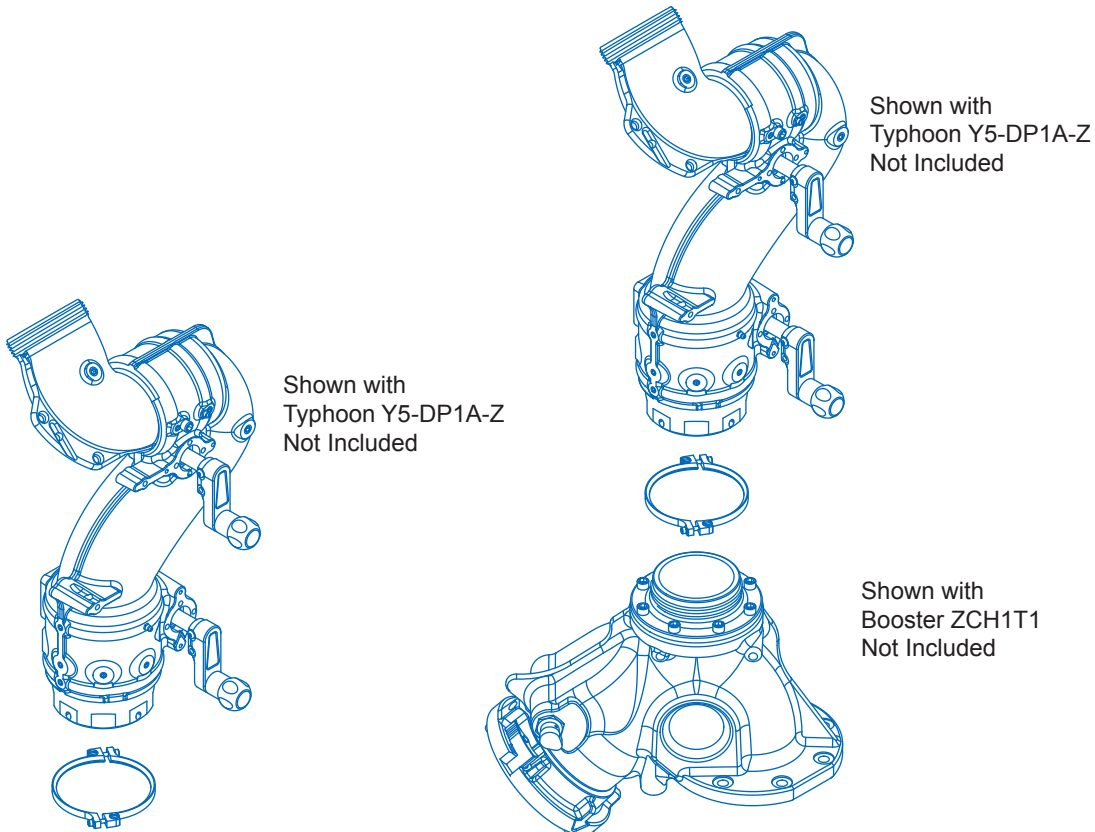
HUM HYDRANT UNDER MONITOR™

The Hydrant Under Monitor (HUM) adds two versatile full flow LDH ports to the robust features of the Industrial Valve Under Monitor. Maximum operating pressure is 300 psi (21 bar). Two concentric slow-close half ball valves allow the monitor to be operated either independently or simultaneously with the LDH ports. The main shutoff valve has a huge 5.25" (135mm) waterway, located immediately above the 6" (152mm) ANSI 150 inlet flange. When the monitor valve above is also open, flow to the monitor from the standpipe is completely unobstructed for the lowest possible friction loss. Each valve control is clearly marked with separate color-coded position indicators that are retro-reflective for visibility in all light conditions. The cast aluminum valve body and all structural aluminum components are hard anodized, and the inlet flange and valve body are powder coated red for additional resistance to galvanic corrosion.

Several options are available for monitor and hose connections, as described on the following pages. When integrated with a TFT monitor (side B option 1), the monitor flange is omitted to reduce weight, up-front cost and future maintenance expenses. Both LDH ports C1 and C2 can be configured with a Storz coupling, a male threaded spout, or a gated wye, with connection sizes ranging from 1.5" up to 6.0" (38 to 152mm). All LDH connections are supplied with a pressure cap, and port C2 can also be configured with a blind plug for no charge if only one hose connection is needed.

For further versatility, the Booster can be mated between the HUM and monitor to allow pressure to be boosted using a pump or foam to be introduced. Choose side B option 0 (zero) for this option and see pages 203-205 for Booster options.

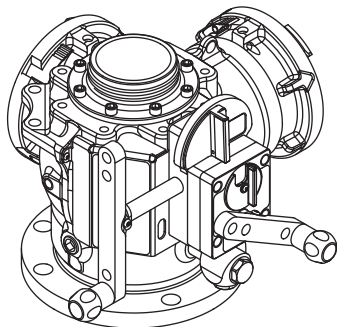
All models are equipped with an external automatic drain valve and a 2nd automatic drain valve within the monitor half ball. These valves fully drain the monitor and valve body after each use when pressure drops below 5 psi (0,3bar), thus minimizing susceptibility to damage from corrosion and freezing water. An optional 3rd automatic drain valve located within the main shutoff half ball allows the standpipe to draw atmospheric air to facilitate draining, even while the half ball is closed. It is beneficial in applications where the standpipe will typically be drained following use, especially where freezing conditions are a concern.



Shown with Typhoon Y5-DP1A-Z
Not Included

Shown with Typhoon Y5-DP1A-Z
Not Included

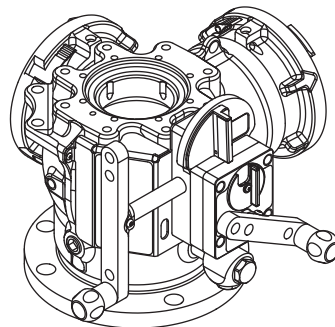
Shown with Booster ZCH1T1
Not Included



Hydrant Under Monitor
ZBAZ11T1



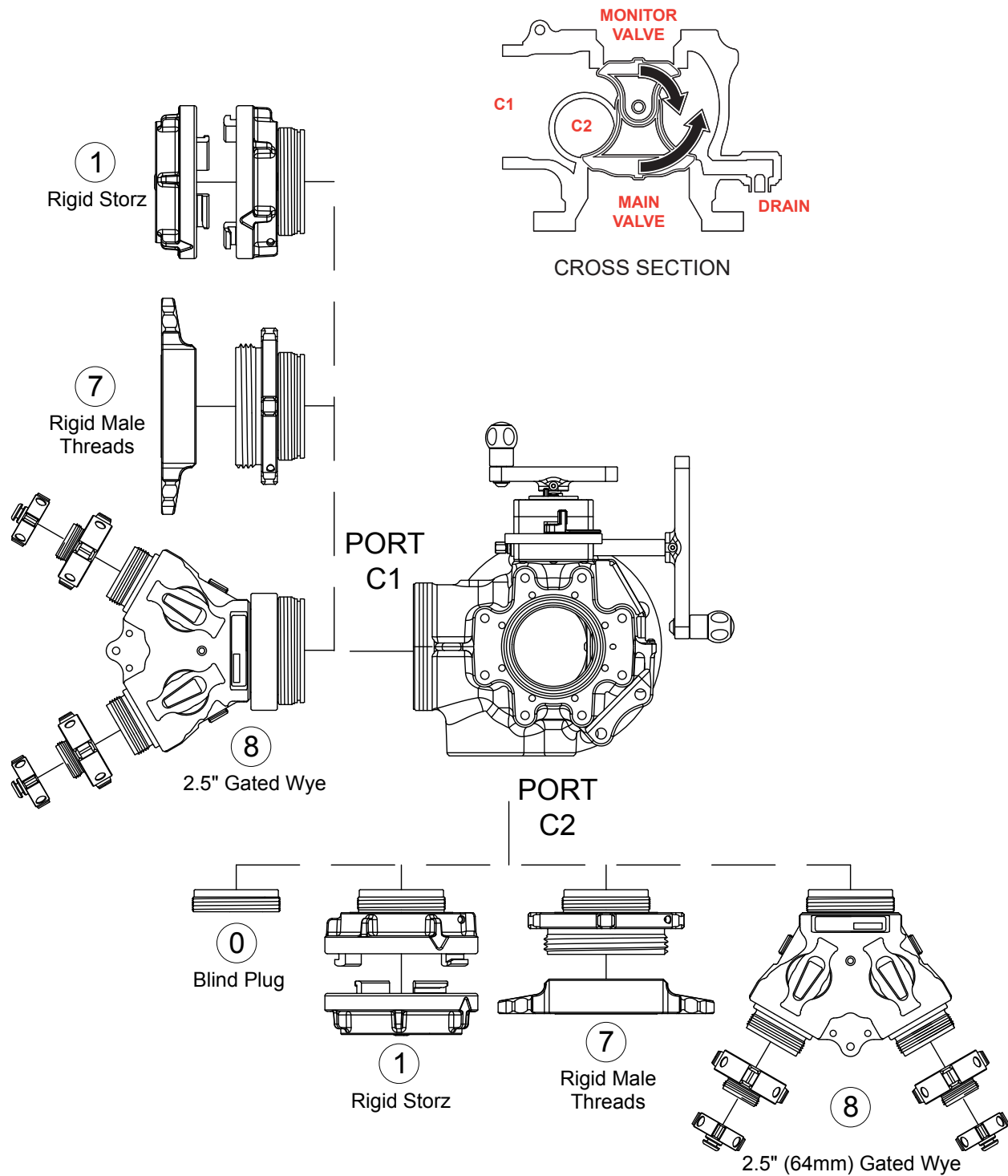
FM Approved for use with FM Approved Monitors



Hydrant Under Monitor
ZBAZ01T1



FM Approved for use with FM Approved Monitors



AUXILIARY PORT SPECIFICATIONS AND PRICING For Ports C1 & C2	
0 Blind Plug (port C2 only)	1) N/C
1 Rigid Storz (includes cap)	2) N/C
7 Rigid Male Threads (includes cap)	3) N/C
8 2.5" Gated Wye (includes 2.5" x 1.5" reducers and 1.5"NH caps)	4) N/C

**AUXILIARY PORT SPECIFICATIONS AND PRICING
For Ports C1 & C2**

0) Blind Plug (port C2 only)	N/C
1) Rigid Storz (includes cap)	N/C
7) Rigid Male Threads (includes cap)	N/C
8) 2.5" (64mm) Gated Wye (includes 2.5" x 1.5" (64mm x 38mm) reducers and 1.5"NH (38mm) caps)	N/C

Dimensional Maximums

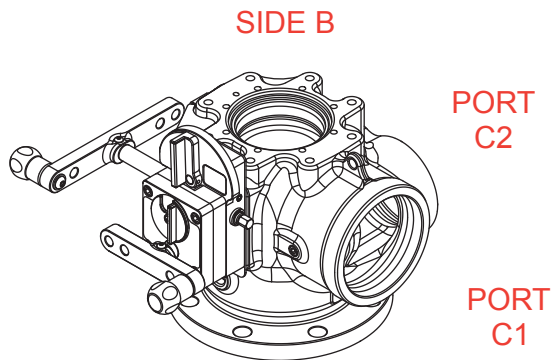
\$4715.00

Weight 64.0 lb (29.0 kg)

Height 13.1 in (33.3 cm)

Width 25.0 in (63.5 cm)

Depth 27.0 in (68.6 cm)

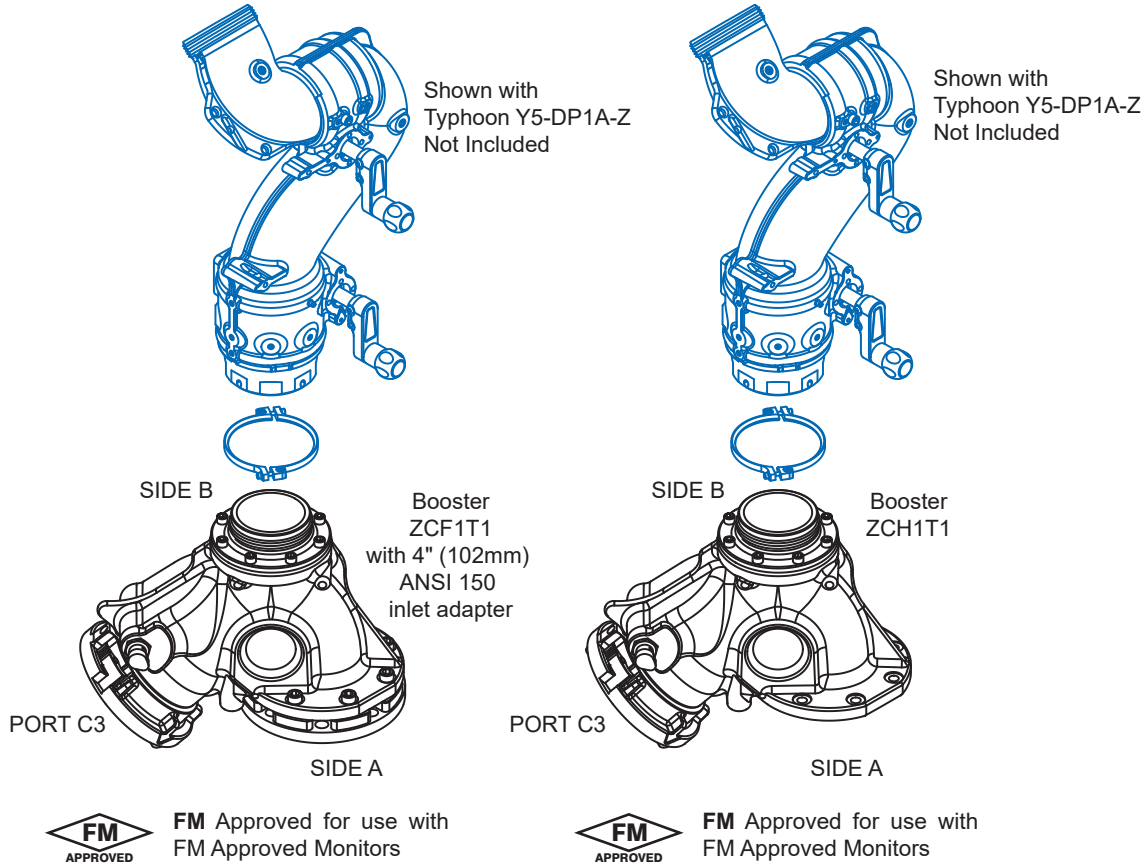


ZBA

Drain Option	Side B	Port C1 With Cap		Port C2 With Cap	
D) Drain in main half ball Z) External Drain Only	0) No Side B Adapter (fits ZCH-series Booster) 1) Code-RPM 3) 4" (102mm) ANSI 150 Q) 4.5" NH (114mm) Quick Connect T) 2.5" NH (64mm) Quick Connect V) Integrated Tornado (no coupling)	STYLE 1) Rigid Storz 7) Rigid Male Threads 8) 2.5" (64mm) Gated Wye (Size J Only)	SIZE J) 2.5" (64mm) N) 3.5" (89mm) P) 4.0" (102mm) R) 4.5" (114mm) T) 5.0" (127mm) X) 6.0" (152mm)	STYLE 0) Blind Plug* 1) Rigid Storz 7) Rigid Male Threads 8) 2.5" (64mm) Gated Wye (Size J Only)	SIZE 0) N/A* J) 2.5" (64mm) N) 3.5" (89mm) P) 4.0" (102mm) R) 4.5" (114mm) T) 5.0" (127mm)

*Port C2 Blind plug requires "00" (two zeros), one for Style and one for Size.

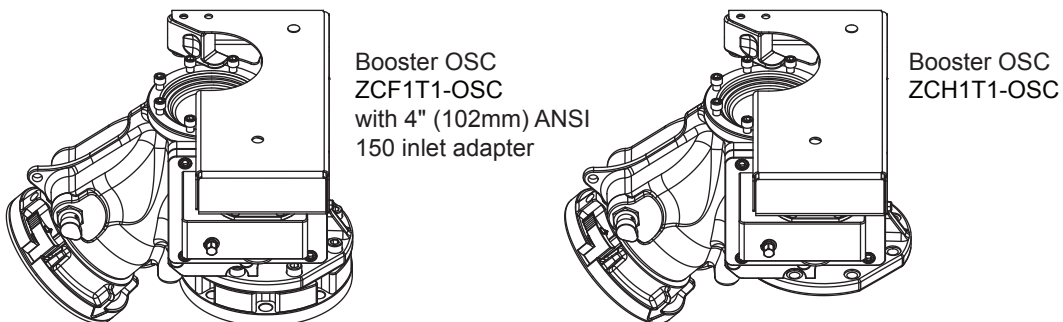
The Booster provides a secondary supply inlet for monitors rated up to 2500 gpm (9400 l/min), allowing pressure to be boosted using a pump and/or foam to be introduced. An LDH hose or in-line foam eductor may be connected to the secondary inlet with optional Storz or female hose threads ranging from 3.5" (89mm) up to 6.0" (152mm). A swing check valve within the secondary inlet allows connections to be made while the monitor is flowing from the main inlet (standpipe). The main inlet can be configured for direct connection to a TFT Hydrant Under Monitor (HUM) or Industrial Valve Under Monitor (IVUM). Alternately, the main inlet can be adapted to a 3" or 4" (76 to 102mm) ANSI 150 bolt pattern. Several options are available for monitor connection. Integration with a TFT monitor (side B option 1) allows two additional flanges to be omitted. Avoiding flanges on both sides of the Booster substantially reduces the height, weight and cost. The cast aluminum body and all structural aluminum components are hard anodized, and the inlet flange and body are powder coated for additional resistance to galvanic corrosion. All models are equipped with an external automatic drain valve. This allows the monitor and Booster to be fully drained after each use when pressure drops below 5 psi (0,3bar), thus minimizing susceptibility to damage from corrosion and freezing water.



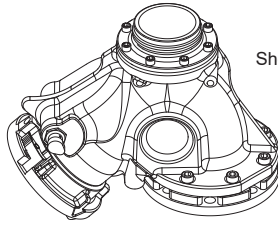
BOOSTER™ OSC

The Booster OSC adds the capability to oscillate a TFT monitor horizontally up to 120° using energy from a water-driven turbine. All of the turbine water exits the monitor nozzle, thus avoiding the water expelled below the monitor that plagues other manufacturers' oscillating units. Oscillation is activated by water flow from 1000 gpm to 2000 gpm (3800 to 7600 l/min), supplied either from the main inlet or secondary inlet of the Booster. Oscillating sweep angle can be adjusted from zero to 120° in 10° increments at any time while oscillating or stationary, without removing the hard anodized safety guard that encloses the oscillating mechanism. Oscillating pattern can be verified without flowing water, using a 1/2" (12mm) hex wrench. Oscillating speed is directly proportional to flow rate, and is 4 cycles per minute at 2000 gpm (7600 l/min) with the default pulley set installed. An alternate pulley set stored within the safety guard allows the oscillating speed to be doubled by exchanging the pulleys using common hand tools.

The Booster OSC is compatible with TFT Monsoon, Typhoon and Hurricane monitors that are specified with inlet option W) swivel base.



**OPTIONAL 6" (152mm)
FLANGE INLET ADAPTER
AVAILABLE**



Booster ZCF1T1
Shown With 4" (102mm)
ANSI 150
Inlet Adapter



**FM Approved for use with
FM Approved Monitors**

**Dimensional Maximum
ZCH***
29.9 lb (13.6 kg)
10.9" (27.7 cm) height
17.4" (44.2 cm) width
8.8" (22.4 cm) depth**

**ZCH
\$1715.00**

Booster for direct-connection to HUM or IVUM and TFT Monitor

Port C3 Relay Inlet			Side B outlet
Style	Size		
1) Storz Rigid w/ Cap 4) Female Rocker Lug (NFS)	N) 3.5" (89mm) P) 4" (102mm) R) 4.5" (114mm)	T) 5" (127mm) X) 6" (152mm)	1) CODE-RPM for TFT monitor integration Q) 4.5"NH (114mm) Quick Connect for Lg. Monitors T) 2.5"NH (64mm) Quick Connect for Tornado V) Integrated Tornado (no coupling)

**Dimensional Maximum
ZCH**3
32.1 lb (14.6 kg)
11.4" (29.0 cm) height
17.4" (44.2 cm) width
8.8" (22.4 cm) depth**

**ZCH
\$1715.00**

Booster for direct connection to HUM or IVUM; 4" ANSI 150 outlet

Port C3 Relay Inlet			Side B outlet
			3
Style	Size		
1) Storz Rigid w/ Cap 4) Female Rocker Lug (NFS)	N) 3.5" (89mm) P) 4" (102mm) R) 4.5" (114mm)	T) 5" (127mm) X) 6" (152mm)	3) 4" (102mm) ANSI 150

**Dimensional Maximum
ZCF***
36.5 lb (16.6 kg)
12.2" (31.0 cm) height
17.5" (44.5 cm) width
8.9" (22.6 cm) depth**

**ZCF
\$1715.00**

Booster with 4" ANSI 150 inlet adapter and direct-connection to TFT Monitor

Port C3 Relay Inlet			Side B outlet
Style	Size		
1) Storz Rigid w/ Cap 4) Female Rocker Lug (NFS)	N) 3.5" (89mm) P) 4" (102mm) R) 4.5" (114mm)	T) 5" (127mm) X) 6" (152mm)	1) CODE-RPM for TFT monitor integration Q) 4.5"NH (114mm) Quick Connect for Lg. Monitors T) 2.5"NH (64mm) Quick Connect for Tornado

**Dimensional Maximum
ZCF**3
38.7 lb (17.6 kg)
12.7" (32.3 cm) height
17.5" (44.5 cm) width
8.9" (22.6 cm) depth**

**ZCF
\$1715.00**

Booster with 4" ANSI 150 inlet adapter and 4" ANSI 150 outlet

Port C3 Relay Inlet			Side B outlet
			3
Style	Size		
1) Storz Rigid w/ Cap 4) Female Rocker Lug (NFS)	N) 3.5" (89mm) P) 4" (102mm) R) 4.5" (114mm)	T) 5" (127mm) X) 6" (152mm)	3) 4" (102mm) ANSI 150

**Dimensional Maximum
ZCG***
36.5 lb (16.6 kg)
12.2" (31.0 cm) height
17.5" (44.5 cm) width
8.9" (22.6 cm) depth**

**ZCG
\$1715.00**

Booster with 3" ANSI 150 inlet adapter and direct-connection to TFT Monitor

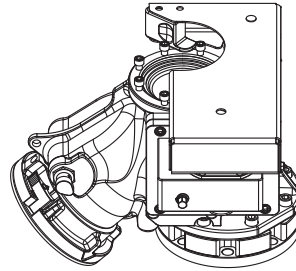
Port C3 Relay Inlet			Side B outlet
Style	Size		
1) Storz Rigid w/ Cap 4) Female Rocker Lug (NFS)	N) 3.5" (89mm) P) 4" (102mm) R) 4.5" (114mm)	T) 5" (127mm) X) 6" (152mm)	1) CODE-RPM for TFT monitor integration Q) 4.5"NH (114mm) Quick Connect for Lg. Monitors T) 2.5"NH (64mm) Quick Connect for Tornado

**Dimensional Maximum
ZCG**3
38.7 lb (17.6 kg)
12.7" (32.3 cm) height
17.5" (44.5 cm) width
8.9" (22.6 cm) depth**

**ZCG
\$1715.00**

Booster with 3" ANSI 150 inlet adapter and 4" ANSI 150 outlet

Port C3 Relay Inlet			Side B outlet
			3
Style	Size		
1) Storz Rigid w/ Cap 4) Female Rocker Lug (NFS)	N) 3.5" (89mm) P) 4" (102mm) R) 4.5" (114mm)	T) 5" (127mm) X) 6" (152mm)	3) 4" (102mm) ANSI 150



Booster OSC
ZCF1T1-OSC
with 4" (102mm)
ANSI 150
inlet adapter

**Dimensional Maximum
ZCH**-OSC**
32.1 lb (14.6 kg)
11.4" (29.0 cm) height
17.4" (44.2 cm) width
8.8" (22.4 cm) depth

ZCH
\$4620.00

Booster OSC for direct connection to HUM or IVUM

Port C3 Relay Inlet		Side B outlet	
		-OSC	
Style 1) Storz Rigid w/ Cap 4) Female Rocker Lug (NFS)	Size N) 3.5" (89mm) P) 4" (102mm) R) 4.5" (114mm)	T) 5" (127mm) X) 6" (152mm)	-OSC) Accepts TFT monitor with option W swivel base

**Dimensional Maximum
ZCF**-OSC**
38.7 lb (17.6 kg)
12.7" (32.3 cm) height
17.5" (44.5 cm) width
8.9" (22.6 cm) depth

ZCF
\$4620.00

Booster OSC with 4" (102mm) ANSI 150 inlet adapter

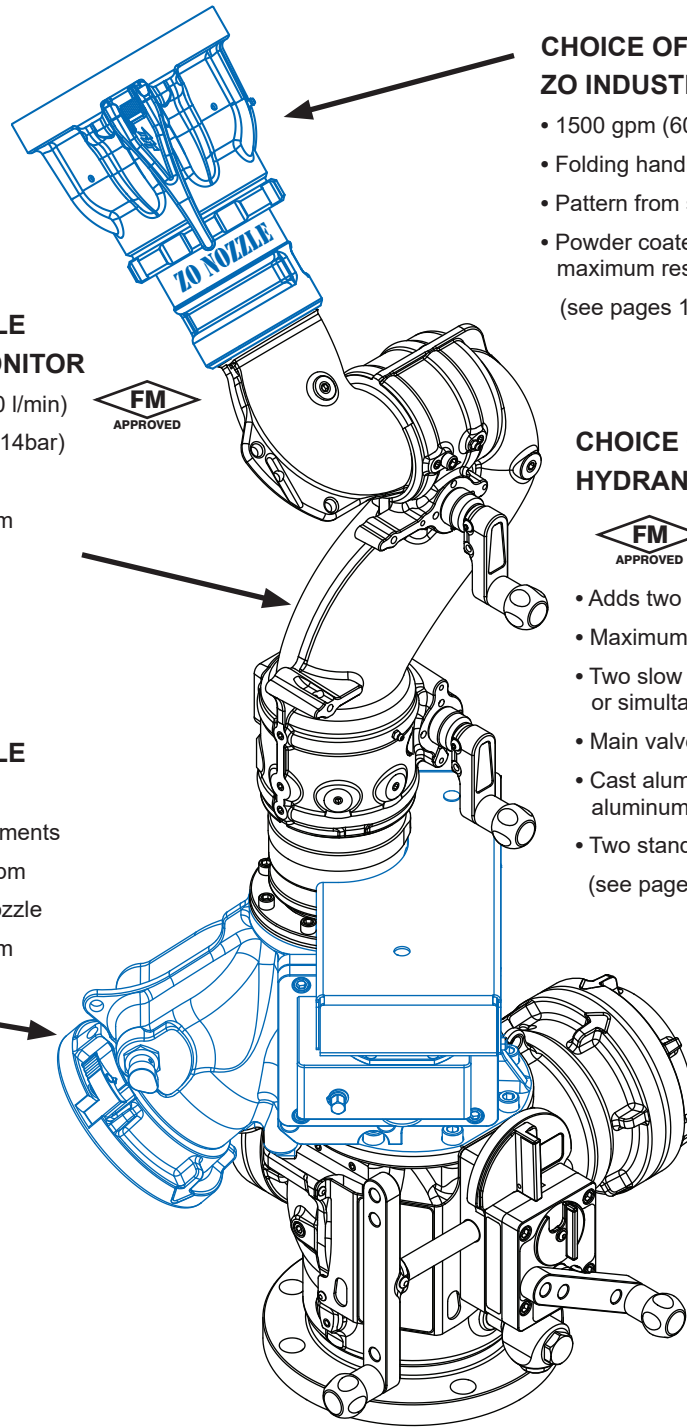
Port C3 Relay Inlet		Side B outlet	
		-OSC	
Style 1) Storz Rigid w/ Cap 4) Female Rocker Lug (NFS)	Size N) 3.5" (89mm) P) 4" (102mm) R) 4.5" (114mm)	T) 5" (127mm) X) 6" (152mm)	-OSC) Accepts TFT monitor with option W swivel base

**Dimensional Maximum
ZCG**-OSC**
38.7 lb (17.6 kg)
12.7" (32.3 cm) height
17.5" (44.5 cm) width
8.9" (22.6 cm) depth

ZCG
\$4620.00

Booster OSC with 3" (76mm) ANSI 150 inlet adapter

Port C3 Relay Inlet		Side B outlet	
		-OSC	
Style 1) Storz Rigid w/ Cap 4) Female Rocker Lug (NFS)	Size N) 3.5" (89mm) P) 4" (102mm) R) 4.5" (114mm)	T) 5" (127mm) X) 6" (152mm)	-OSC) Accepts TFT monitor with option W swivel base



CHOICE OF COMPATIBLE TYPHOON MANUAL MONITOR

- Flows up to 1500 gpm (6000 l/min)
- Operating pressure 200 psi (14bar)
- Only 19 psi (1.3bar) loss
- Hard coat anodized aluminum (see page 153)



CHOICE OF COMPATIBLE ZO INDUSTRIAL NOZZLE



- 1500 gpm (6000 l/min) fixed gallonage nozzle
- Folding handles for shaper control
- Pattern from straight stream to 120° wide fog
- Powder coated and hard coat anodized aluminum for maximum resistance to corrosion and wear (see pages 198)

CHOICE OF COMPATIBLE BOOSTER OSC

- Sweeps 0 - 120° in 10° increments
- Operating at 1000 to 2000 gpm
- All water exits the monitor nozzle
- Hard coat anodized aluminum (see pages 203-205)

CHOICE OF COMPATIBLE HYDRANT UNDER MONITOR

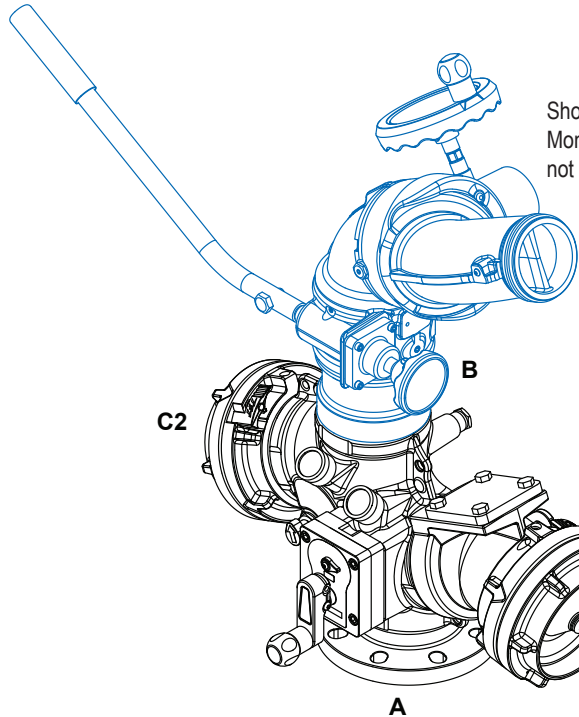


FM Approved for use with FM Approved Monitors

- Adds two full flow 1 1/2" ports
- Maximum operating pressure 300 psi (21bar)
- Two slow close shutoff valves allow independent or simultaneous operation
- Main valve has a 5.25" (133mm) Waterway
- Cast aluminum valve body and all structural aluminum components are hard anodized
- Two standard automatic drains (see pages 200-202)

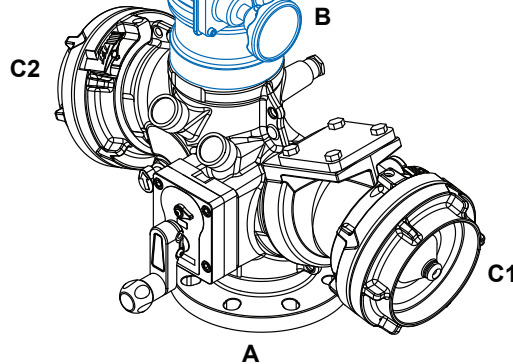
ULTIMATE COMBO
\$11,775.00
147.7 lb (66.9kg)

The Oasis Under monitor can be used to boost pressure to a monitor, supply foam to a monitor, or to supply water to a hose line. In monitor boosting operation, the valve is first opened and water is supplied to the monitor at line pressure. Inlet and outlet supply lines on a boost pumper are then connected to the valve to divert water through the boost pump and increase pressure/flow to the monitor. A clapper valve provides uninterrupted water flow to the fire when transitioning to boost mode and in the event of boost pump failure. Two unique valve position indicators tell the operator if the ball and clapper valves are open or closed. The side B monitor port is available with a 4" (102mm) ANSI flange, direct monitor connection and quick connect, as well as other options. Designed for use with 3.5, 4, 4.5, 5 or 6" (89, 102, 115, 125 or 152 mm) hose. In addition to an aluminum half ball, aluminum castings are hard coat anodized and TFT Powder Coated red inside and out to provide additional resistance to galvanic corrosion. The maximum operating pressure is 250 psi (17 bar).

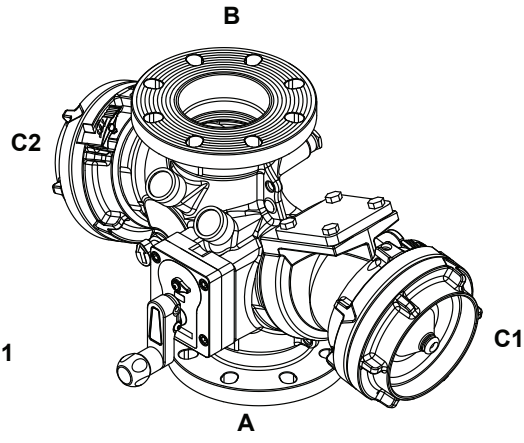


Shown with Y4-TX1A-Z
Monsoon Tiller Monitor
not included

**Contact Factory
for Delivery
and Configurations**



A
OASIS UNDER MONITOR
ARZA2T2T
INLET FLANGE 4" (102mm) ANSI 150 ALUM



A
OASIS UNDER MONITOR
ARZA32T2T
INLET FLANGE 4" (102mm) ANSI 150 ALUM

**Dimensional Maximums
ARZA******

\$3625.00
Weight 68.5 lb (31.0 kg)
Height 13.6 in (34.5 cm)
Width 24.0 in (70.0 cm)
Depth 16.1 in (40.9 cm)

**Dimensional Maximums
ARZAX******

\$3625.00
Weight 68.5 lb (31.0 kg)
Height 13.6 in (34.5 cm)
Width 24.0 in (70.0 cm)
Depth 16.1 in (40.9 cm)

ARZA						
-------------	--	--	--	--	--	--

(Choose Side B/Side C1/Side C2 suffix from table)
Example: An integrated TFT Monitor adaptor on Side B, a Storz 5" (127mm) on Side C1 and Storz 5" (127mm) on Side C2 would be

ARZA	X	2	T	2	T
------	---	---	---	---	---

**OPTIONAL 6" (152mm)
FLANGE OUTLET OR INLET
ADAPTER AVAILABLE**

	SIDE B OUTLET	SIDE C1 OUTLET TO BOOST	SIDE C2 BOOSTED INLET		
ARZA					
	X) CODE-RRF for integrated TFT Typhoon, Monsoon, or Hurricane Monitor	STYLE	SIZE	STYLE	SIZE
	1) CODE-RPM male threaded outlet	2) Storz	N) 3.5" (89mm)	2) Storz	N) 3.5" (89mm)
	3) 4" (102mm) ANSI 150 Flange	3) F Rocker Lug Swivel	P) 4" (102mm)	3) F Rocker Lug Swivel	P) 4" (102mm)
	Q) 4.5" NH (114mm) Quick Connect for Large Monitors	5) F Long Handle Swivel	R) 4.5" (114mm)	5) F Long Handle Swivel	R) 4.5" (114mm)
	T) 2.5" NH (64mm) Quick Connect for Tornado	7) M Rigid	T) 5" (127mm)	7) M Rigid	T) 5" (127mm)
	V) Integrated Tornado (no coupling)		X) 6" (152mm)		X) 6" (152mm)

QUICK CONNECT INLET ADAPTERS

Inlet adapters have 4.5"NH (114mm) male threaded outlet with proprietary internal slots to secure TFT Quick Connect Monitors and Elbows. Available for Hurricane, Typhoon and Monsoon Monitors. Standard 4.5"NH (114mm) female hose couplings may also be attached to these inlet adapters. Constructed of corrosion resistant, hard coat anodized aluminum alloy. Maximum operating pressure is 250 psi (17 bar).

YQC-TP

\$330.00

Inlet Adapter 4"NPT Female

2.3 lb (1.0 kg)

3.20" (8.1 cm) Height

5.7" (14.5 cm) OD

YQC-RLF

\$330.00

Inlet Adapter CODE-RLF

For 3" Extend-A-Gun

(manual & RC3)

2.0 lb (0.9 kg)

3.20" (8.1 cm) Height

5.7" (14.48 cm) OD

YQC-RPF

\$330.00

Inlet Adapter CODE-RPF

For 4" Extend-A-Gun RC4

2.0 lb (0.9 kg)

3.00" (8.1 cm) Height

5.7" (14.48 cm) OD

YQC-FP

\$330.00

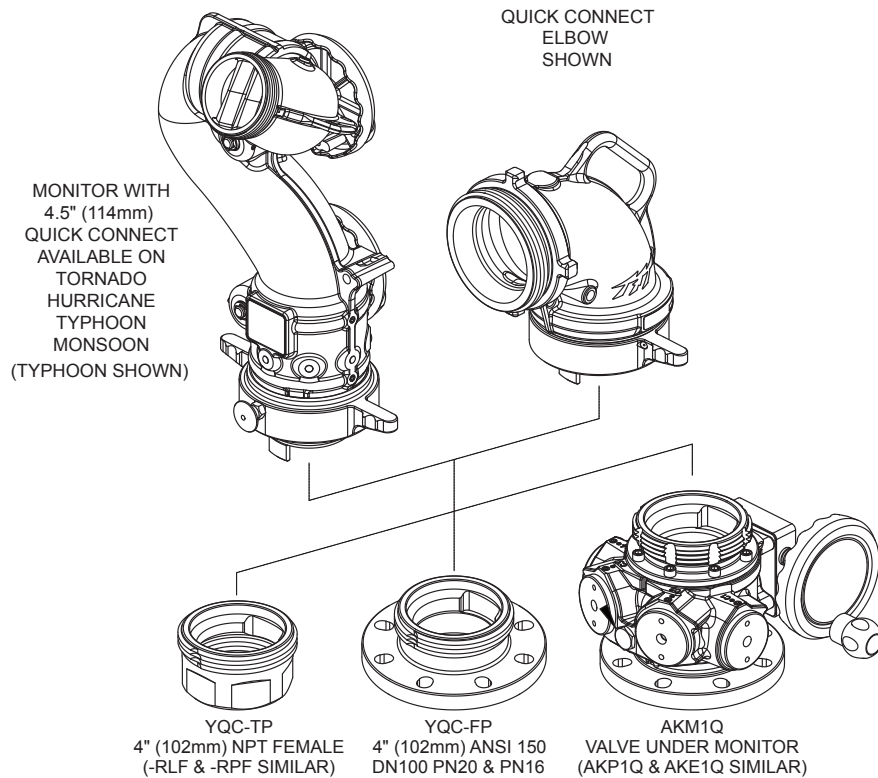
Inlet Adapter 4"ANSI 150

Also fits DN100 PN20 & PN16

5.9 lb (2.6 kg)

3.20" (8.1 cm) Height

9.0" (23.0 cm) OD



ALSO AVAILABLE:

Valve Under Monitor with 4.5" (114mm) Quick Connect

See Valve Under Monitor section, Items AKM1Q, AKP1Q and AKE1Q

QUICK CONNECT ELBOW

The Quick Connect Elbow is interchangeable with the Quick Connect Inlet options offered on the Monsoon, Typhoon and Hurricane monitors. Full-time ball bearing swivel allows 360° rotation while coupling remains secured. Blind 1/4" NPT (6mm) port may be drilled through to add pressure gauge or bleeder. Constructed of hard coat anodized aluminum alloys, with Powder Coat finish inside and out on the elbow casting for maximum corrosion protection. Maximum operating pressure is 300 psi (17 bar).

Dimensional Maximum

AF9NR-SX

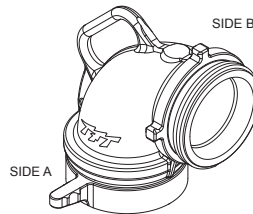
\$750.00

19.0 lb (8.6 kg)

12.6" (32.1 cm) Height

8.5" (21.7 cm) Width

13.20" (33.6 cm) Depth



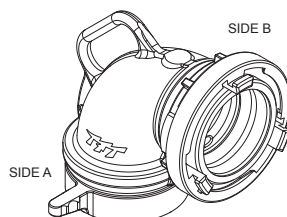
AF QNR -

(Choose Side B suffix from Tables)

Example:

4.0" NH (102mm) Male Thread on

Side B would be AF5QNR-NP



AF5		SIDE A - Female Swivel NH
		4.5" (114mm) Quick Connect
SIDE B - Male NH	4.0" (102mm) Threaded	AF5QNR-NP
	4.5" (114mm) Threaded	AF5QNR-NR
	5.0" (127mm) Threaded	AF5QNR-NT
	6.0" (152mm) Threaded	AF5QNR-NX

AF9		SIDE A - Female Swivel NH
		4.5" (114mm) Quick Connect
SIDE B - Rigid Storz	4.0" (102mm) Storz	AF9QNR-SP
	5.0" (127mm) Storz	AF9QNR-ST
	6.0" (152mm) Storz	AF9QNR-SX

1.0" TWISTER, QuadraFog, AND D75 SERIES BALL VALVES

D10-KIT	1.0" Twister Front End Seat/Seal Kit	\$48.00
D75-KIT	1.0" Rear Valve Seat Kit	\$21.00
D75-HDL	Bail Handle & Valve Seat Kit (NO Mandrel)	\$42.00
D75-HRK	Bail Handle & Valve Seat Kit (Incl. Mandrel)	\$95.00

1.5" Twister, QuadraFog, QuadraCup, and F100 Series Ball Valves

F20-KIT	1.5" Twister Front End Seat/Seal Kit	\$53.00
F100-KIT	Valve Rear Seat Kit	\$21.00
F100-HDL	Bail Handle & Valve Seat Kit (NO Mandrel)	\$42.00
F100-HRK	Bail Handle & Valve Seat Kit (Incl. Mandrel)	\$105.00

1.5" and 2.5" ThunderFog, F140 and J140 Ball Valve Series

F140-KIT	Valve Rear Seat Kit	\$21.00
F140-HDL	Bail Handle & Valve Seat Kit (NO Mandrel)	\$42.00
F140-HRK	Bail Handle & Valve Seat Kit (Incl. Mandrel)	\$111.00
J140-HRK	Bail Handle & Valve Seat Kit (Incl. Mandrel)	\$116.00

Bubble Cup SERIES

D285-KIT	1.0" Bubble Cup Stream Shaper Kit	\$126.00
F685-KIT	1.5" Bubble Cup Stream Shaper Kit	\$121.00
F675-KIT	QuadraCup Aluminum Stream Shaper Kit	\$116.00
F675-UPGRADE	QuadraCup Aluminum Sleeve Upgrade	\$116.00

ULTIMATIC SERIES - Manufactured After 1983

B950-KIT	Bail Handle Kit (Metal)	\$48.00
B955-KIT	Bail Handle Kit (Manuf After 8/05)	\$21.00
B960-KIT	Valve Seal Kit	\$10.00
B880-KIT	Stream Shaper Kit	\$53.00

MIDRANGE SERIES

HM960-KIT	Nozzle Seal Kit	\$10.00
HMD830-KIT	Dual Pressure Knob 100 Psi	\$42.00
HMD830-75KIT	Dual Pressure Knob 75 Psi	\$42.00
HM840-KIT	100 Psi Control Unit	\$58.00
HM840-75-KIT	75 Psi Control Unit	\$58.00
HMD840-KIT	Dual Pressure Control Unit 100/55 Psi	\$121.00
HM997N-KIT	1.5 NH Coupling Kit	\$37.00
HM997I-KIT	1.5 NPSH Coupling Kit	\$37.00
HM590-KIT	-V and -VPGI Valve Plug	\$16.00
HM592-KIT	STO Valve Plug	\$21.00
HM950-KIT	Bail Handle Kit	\$21.00
HM880-KIT	Stream Shaper Kit	\$58.00

HANDLINE SERIES

(manufactured after 1983 to current)

H994I-KIT	1.5 NPSH Coupling Kit	\$37.00
H994N-KIT	1.5 NH Coupling Kit	\$37.00
H880-KIT	Stream Shaper Kit	\$69.00
H960-KIT	Valve Seal Kit	\$42.00
P920-KIT	Playpipe Handle/Hdw Kit	\$79.00
HX950-KIT	Bail Handle Kit (Replaces Metal Handle)	\$42.00

(manufactured after Jan 01, 2004)

HX840-75-KIT	Pressure Control Unit 75 Psi	\$184.00
HX840-KIT	Pressure Control Unit 100 Psi	\$184.00
HXD830-KIT	Dual Pressure Knob 100 Psi	\$58.00
HXD830-75KIT	Dual Pressure Knob 75 Psi	\$58.00
HXD840-KIT	Dual Pressure Control Unit 100/55 Psi	\$163.00
HXDL840-KIT	Dual Pressure Control Unit 75/45 Psi	\$163.00

HANDLINE SERIES UPGRADE KITS

(manufactured between 1985 to 2003)

Single Pressure

HX-100-KIT	95-300 GPM @ 100 PSI	\$436.00
HX-75-KIT	95-250 GPM @ 75 PSI	\$436.00
HX-55-KIT	95-225 GPM @ 55 PSI	\$436.00

Dual Pressure

HXD-100-KIT	95-300 GPM @ 100/55 PSI (dual pressure)	\$436.00
HXD-75-KIT	95-250 GPM @ 75/45 PSI (dual pressure)	\$436.00

EXTEND-A-GUN SERIES

XG840-KIT	MANUAL EXTEND-A-GUN REED SWITCH	\$16.00
XGA840-KIT	RC3 EXTEND-A-GUN REED SWITCH (made before June 2009)	\$16.00
XGA841-KIT	RC4 EXTEND-A-GUN REED SWITCH (made before June 2009)	\$16.00
XGE695-KIT	RC EXTEND-A-GUN REED SWITCH (made after June 2009)	\$30.00
XGE690-KIT	RC EXTEND-A-GUN DRIVE BOX Repair Kit (6/1/09 and newer)	\$331.00

LDH SERVICE KITS

A1520-KIT	AB, AC, and ABS Series BIV Valve Seat Kit	\$65.00
A1520-CRK	BIV Complete Rebuild Kit	\$85.00
A1082-KIT	AX, AP, and AQ Series Jumbo BIV Valve Seat Kit	\$65.00
A1082-CRK	Jumbo BIC Complete Rebuild Kit	\$85.00
A1621-KIT	Vent Drain Kit - Lever Style	\$48.00
A1633-KIT	Parallel Shaft Gear Box Kit	\$242.00
A1890NJ	Pressure Relief Valve Test Kit - Flanged	\$140.00
A1891NJ	Pressure Relief Valve Test Kit - Threaded	\$140.00
AX1690-KIT	BIV RC Upgrade	\$1591.00
A4178-KIT	Storz lever lock alum upgrade kit - 4"	\$53.00
A4179-KIT	Storz lever lock alum upgrade kit - 5"	\$53.00
THA401-ST	Retaining Strip Removal Tool	\$16.50
THA406-KIT	BIV Seat Tool	\$263.00
AM-BAND-KIT	Suction Hose Repair Kit	\$373.00
A1410-KIT	Suction Screen 5"	\$48.00
A1411-KIT	Suction Screen 6"	\$55.00
JET-ELBOWKIT	Jet Siphon Elbow Upgrade Kit	\$184.00
JET-NF-KIT	JET SIPHON FIELD CONVERSION KIT	\$310.00
A4215	4" (102mm) Storz pressure gasket	CALL
A4216	4" (102mm) Storz suction gasket	CALL
A4220	5" (127mm) Storz pressure gasket	CALL
A4221	5" (127mm) Storz suction gasket	CALL
A4274	6" (152mm) Storz pressure gasket	CALL
A4273	6" (152mm) Storz suction gasket	CALL

INTEGRAL SMOOTH BORE ORIFICE REPLACEMENT

P116-KIT	Stream Straightener 1-1/2"	\$32.00
HVIT1-KIT	VIT Ball Valve Outlet 7/8"	\$121.00
HVIT2-KIT	VIT Ball Valve Outlet 15/16"	\$121.00
HVIT3-KIT	VIT Ball Valve Outlet 1"	\$121.00
HVIT4-KIT	VIT Ball Valve Outlet 1-1/8"	\$121.00
HVIT5-KIT	VIT Ball Valve Outlet 1-1/4"	\$121.00
HVIT6-KIT	VIT Ball Valve Outlet 1-3/8"	\$121.00
HVIT7-KIT	VIT Ball Valve Outlet 1-3/16"	\$121.00
HVIT8-KIT	VIT Ball Valve Outlet 1-1/16"	\$121.00

VALVE UNDER MONITOR SERIES

AY321-KIT	Aluminum Long Handle 4.75" swing radius	\$58.00
AY322-KIT	Aluminum T-Handle 2.25" swing radius	\$58.00

REPAIR KITS

LUBRICANTS

VSA-101	Dow 112 Grease 5.3Oz Tube	\$17.75
VSA-110	Breakfree 4Oz Aerosol	\$10.36
VSA-112	Breakfree 12Oz Aerosol	\$15.50
H-LUBE-KIT	Nozzle Lubrication Kit	\$ 37.00

2.5" GATED WYE

AY175-KIT	200 psi Gauge Kit For Ay Series 2.5" Gated Wye	\$69.00
AY176-KIT	300 psi Guage Kit for AY Series 2.5" Gated Wye	\$69.00
A1621-KIT	Vent Drain Kit - Lever Style	\$48.00
AY970-KIT	Slow Close Valve Kit	CALL

CROSSFIRE - BLITZFIRE

X455-KIT	Tie Down Strap	\$63.00
XX482-KIT	Blitzfire Spike Replacement Kit	\$35.00
XX830-KIT	Elevation Swivel Clutch Assembly	\$90.00
XX910-KIT	Blitzfire Trip Mechanism Kit	\$74.00
XX-STRAP-KIT	Blitzforce Strap	\$42.00
XF400-KIT	Truck Mount Block	\$273.00

EDUCTOR

UE960-KIT	Cam Lock Adaptor	\$63.00
-----------	------------------	---------

MONITORS

TETHER01-KIT	Stacked Tips Tether Kit	\$58.00
--------------	-------------------------	---------

H-VO VALVES

P690-KIT	Ball Valve Repair Kit	\$27.00
----------	-----------------------	---------

PRO/pak

U230-KIT	PRO/pak Knob Repair Kit	\$58.00
----------	-------------------------	---------

COLORED HANDLE KITS

Colored Valve Handle Covers

All nozzles delivered after 09/01/09 have the ability to have colored valve handles added. Colored handle covers for TFT series of nozzles are available at no charge when the warranty card is filled out and mailed in, or if the warranty information is filled out online at tft.com. The following colors are available and for a nominal fee can be custom laser engraved. For additional information on this option, contact TFT customer service.

HM925BLK-KIT	BLACK COVER	\$10.00
HM925BLU-KIT	BLUE COVER	\$10.00
HM925GRN-KIT	GREEN COVER	\$10.00
HM925GRY-KIT	GRAY COVER	\$10.00
HM925ORG-KIT	ORANGE COVER	\$10.00
HM925PNK-KIT	PINK COVER	\$10.00
HM925PPL-KIT	PURPLE COVER	\$10.00
HM925RED-KIT	RED COVER	\$10.00
HM925RW-KIT	RED & WHITE COVER	\$10.00
HM925TAN-KIT	TAN COVER	\$10.00
HM925WHT-KIT	WHITE COVER	\$10.00
HM925YEL-KIT	YELLOW COVER	\$10.00

METRO SERIES FLOW/PRESSURE CHANGE KITS

ME0-KIT	Metro Flow Pressure Change Kit	CALL
ME1-TO-KIT	Metro TO Flow Pressure Change Kit	CALL
ME1-V-KIT	Metro Valved Flow Pressure Change Kit	CALL
ME2-KIT	Metro 2 Flow Pressure Change Kit	CALL
TH505	Cone/Pusher Smalley Ring	CALL

PISTOL GRIP KITS

Colored Pistol Grips for TFT Nozzles

All TFT nozzles delivered after 03/01/01 have the ability to have colored pistol grips added. For nozzles manufactured before this date, contact TFT's service department for availability. When a nozzle is ordered with a pistol grip, it will be shipped from TFT with a black grip and the offer to provide a free colored grip of your choice when the warranty card is filled out and mailed in, or if the warranty information is filled out online at tft.com. Kits can also be ordered for adding a grip to a non-grip model for a nominal fee.

HM692BLK-KIT	BLACK GRIP	\$21.00
HM692BLU-KIT	BLUE GRIP	\$21.00
HM692GRN-KIT	GREEN GRIP	\$21.00
HM692GRY-KIT	GRAY GRIP	\$21.00
HM692ORG-KIT	ORANGE GRIP	\$21.00
HM692PNK-KIT	PINK GRIP	\$21.00
HM692PPL-KIT	PURPLE GRIP	\$21.00
HM692RED-KIT	RED GRIP	\$21.00
HM692TAN-KIT	TAN GRIP	\$21.00
HM692WHT-KIT	WHITE GRIP	\$21.00
HM692YEL-KIT	YELLOW GRIP	\$21.00

PISTOL GRIP KITS

Colored Pistol Grips for TFT Impulse Nozzles With A Trigger Valve System

When a nozzle is ordered with a Trigger Valve System, it will be shipped from TFT with a black grip and the offer to provide a free colored grip of your choice when the warranty card is filled out and mailed in, or if the warranty information is filled out online at tft.com.

TN691BLK-KIT	BLACK GRIP COVER	\$11.00
TN691BLU-KIT	BLUE GRIP COVER	\$11.00
TN691GRN-KIT	GREEN GRIP COVER	\$11.00
TN691GRY-KIT	GRAY GRIP COVER	\$11.00
TN691ORG-KIT	ORANGE GRIP COVER	\$11.00
TN691PNK-KIT	PINK GRIP COVER	\$11.00
TN691PPL-KIT	PURPLE GRIP COVER	\$11.00
TN691RED-KIT	RED GRIP COVER	\$11.00
TN691TAN-KIT	TAN GRIP COVER	\$11.00
TN691WHT-KIT	WHITE GRIP COVER	\$11.00
TN691YEL-KIT	YELLOW GRIP COVER	\$11.00

INSTRUCTION MANUALS

(instruction manuals available at no charge)

All Manuals are available on line at tft.com or call customer service at 1-800-348-2686.

STANDARD FIRE HOSE THREADS

Size	ODM	TPI	Size	ODM	TPI	Size	ODM	TPI	Size	ODM	TPI
Nat'l. Hose Thread (NHT)			Eastern Hose Thread			NY Corp. Thread			Quebec Standard Thread (QST)		
.75	1.3750	8	.75	1.0781	11	1.5	2.093	11	2.5	3.046	7
1	1.3750	8	1	1.4219	11	2	2.547	11	Alberta Mutual Aid Thread (AMA)		
1.25	1.6718	9	1.25	1.6875	11.5	2.5	3.000	8	Chicago FD Thread		
1.5	1.9900	9	1.5	2.1250	11	1	1.375	8	2.5	2.990	8
2	2.5156	8	2	2.6719	7.5	1.5	1.933	11.5	British Columbia (BCT)		
2.5	3.0686	7.5	2.5	3.0000	8	2.5	2.990	7.5	2.5	3.000	8
.3	3.6239	6	Pacific Coast Thread			3.5	4.052	8	Western Canada Fire Underwriters Thread		
3.5	4.2439	6	.75	1.0625	11	4	5.000	4	2.5	3.250	6
4	5.000	4	1	1.3125	11.5	4.5	5.7609	4	Buffalo, NY Thread		
4.5	5.7609	4	1.25	1.8600	11	5	6.260	4	Chicago Hose Thread		
5	6.260	4	1.5	2.1000	11	2.5	3.065	8	Cincinnati, OH Thread		
6	7.025	4	2	2.5500	10	1	1.2951	11.5	2.5	3.058	6
Nat'l. Pipe Straight Hose Thread (NPSH)			NYFD Thread			Cleveland, OH & Omaha, NE Thread			Detroit, MI Thread		
.75	1.0353	14	1	1.660	8	1.25	1.7050	11.5	2.5	3.125	7.5
1	1.2951	11.5	1.5	2.100	8	1.5	1.9460	11.5	Pittsburgh, PA Thread		
1.25	1.6399	11.5	2	2.530	8	2	2.5220	8	2.5	3.0781	8
1.5	1.8788	11.5	2.5	3.030	8	2	3.0430	7	Toledo, OH Thread		
2	2.3528	11.5	3	3.630	8	Standard Chemical Thread			2.5	3.000	8
2.5	2.843	8	3.5	4.070	8	.75	1.375	8	Underwriter Tip Thread		
3	3.4700	8	4	4.610	8	Canadian Standard Assoc. Thread (CSA)			2.5	3.0625	6
3.5	3.9700	8	4.5	5.800	4	1.5	1.8788	11.5	Standard Chemical Thread		
4	4.4700	8	Underwriter Tip Thread			2.5	3.1250	5	Standard Chemical Thread		
4.5	4.9700	8	1.5	2.1875	12	Standard Chemical Thread			Standard Chemical Thread		

SUCTION HOSE THREADS

Size	ODM	TPI	Size	ODM	TPI
American LaFrance Thread		Seagrave Thread			
4.0	5.085	4	4.0	5.000	4
4.5	5.750	4	4.5	5.750	4
5	6.150	4	5	6.250	4
6	7.000	4	6	7.000	4
Mack Thread			Hale Fire Pump Thread		
4.0	4.999	4	4.0	5.000	4
4.5	5.7609	4	4.5	5.7609	4
5	6.230	4	5	6.250	4
Ward LaFrance Thread			Ward LaFrance Thread		
Maxim Thread			4.0	5.000	4
4.0	5.000	4	4.5	5.750	4
4.5	5.750	4	5	6.250	4
5	6.250	4	6	7.000	4
6	7.000	4	Waterous Fire Pump Thread		
Pirsch Thread			4.0	5.0109	4
4.0	5.000	4	4.5	5.7609	4
4.5	5.750	4	5	6.260	4
5	6.250	4	Waterous Fire Pump Thread		
6	7.000	4	Waterous Fire Pump Thread		

FLANGE SPECIFICATIONS

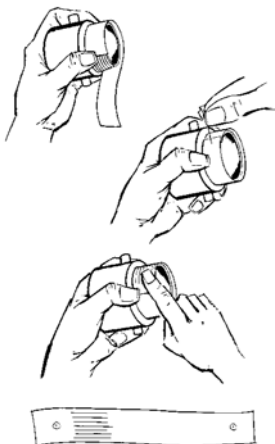
ANSI Flange Size	2.5"-150#	3.0"-150#	3.0"-300#	4.0"-150#	4.0"-300#	6.0"-150#	6.0"-300#
Diam. of Flange	7.00"	7.50"	8.25"	9.00"	10.00"	11.00"	12.50"
Bolt Circle Diam.	5.50"	6.00"	6.625"	7.50"	7.875"	9.50"	10.625"
Bolt Hole Diam.	.750"	.750"	.875"	.750"	.875"	.875"	.875"
No. Bolt Holes	4	4	8	8	8	8	12
Bolt Diameter	.625"	.625"	.750"	.625"	.750"	.750"	.750"

ABBREVIATION DEFINITIONS

ODM – outside diameter of male
TPI – threads per inch

THREAD DESIGNATIONS

National Hose – NH or NHT; also called National Standard Thread (NST)
National Pipe Straight Hose – NPSH; also called Straight Iron Pipe Thread (SIPT)
National Pipe Thread – NPT; also called Tapered Iron Pipe Thread (TIPT)
British Standard Parallel Pipe – BSP
British Standard Pipe Taper – BSP
Please call customer service at 800 348-2686 to check availability of a specific thread on your product.



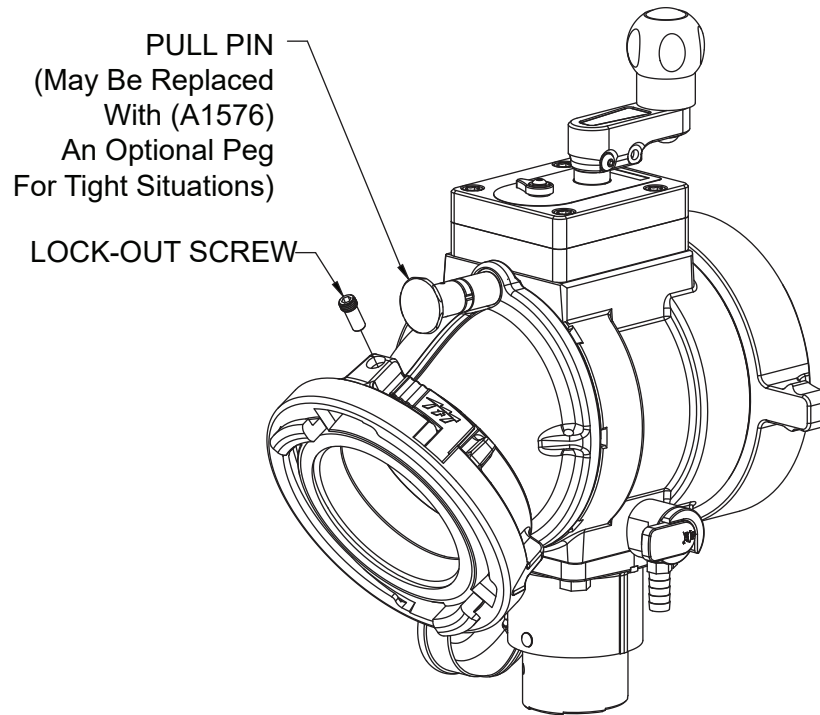
METHODS FOR DETERMINING THREAD DIMENSIONS

If Leaf Thread Gauge and Thread Caliper are not available; or sample cannot be sent, the following method may be used to obtain the needed information about threads.

- 1) Cut a strip of paper about 1" wide and long enough to completely encircle the male thread.
- 2) Wrap this paper snugly around the male thread making sure it is against the shoulder all the way around.
- 3) Pierce the paper with a pin at some point where the paper overlaps.
- 4) Press firmly against the threads with finger. This impression in the paper is used to determine the threads per inch.
- 5) Remove strip and circle pin holes with pencil.
- 6) The distance between the pin holes divided by 3.1416 equals the ODM (outside diameter of the male).

Both the ODM and the threads per inch are needed for ordering purposes. Unified thread form supplied unless otherwise specified.

CHANGING COUPLING LOCK-OUT



To change a coupling from rigid to full time swivel, use a 7/32" (5,5mm) Allen driver to back out the lockout screw until the coupling moves freely.

To change a coupling from full time swivel to rigid, first align the pull pin in the elbow to vertical. Rotate the coupling until the lockout screw is aligned with the pull pin. Use a 7/32" (5,5mm) Allen driver to tighten the lockout screw into the lockout divot in the elbow.

FLANGE SPECIFICATIONS

FLANGE SPECIFICATIONS					
FITS FLANGE	OUTSIDE DIAMETER	THICKNESS	BOLT HOLE CIRCLE	NUMBER OF BOLTS	SIZE OF BOLTS
3" (76mm) ANSI 125/150 DN80 PN20	7.50" 190mm	0.75" 19mm	6.00" 152mm	4 4	5/8" M16
4" (102mm) ANSI 150 DN100 PN20	9.00" 229mm	0.94" 24mm	7.50" 190mm	8 8	5/8" M16
DN80 PN16	200mm	22mm	160mm	8	16 mm
DN100 PN16	220mm	22mm	180mm	8	16 mm

Gallons Per Minute (gpm) Pounds Reaction Force (Lb.)

Smooth Bore Nozzle Discharge and Reaction Chart

Diameter	3/8"	1/2"	5/8"	3/4"	7/8"	15/16"	1"	1-1/8"	1-1/4"	1-3/8"	1-1/2"	1-3/4"	2"	2-1/4"	2-1/2"	2-3/4"	
40	26	47	73	106	144	165	188	238	294	355	423	575	752	951	1174	1421	gpm
	9	16	25	35	48	55	63	79	98	119	141	192	251	318	393	475	Lb _f
45	28	50	78	112	153	175	199	252	311	377	448	610	797	1009	1246	1507	gpm
	10	18	28	40	54	62	71	89	110	134	159	216	283	358	442	534	Lb _f
50	30	53	82	118	161	185	210	266	328	397	473	643	840	1064	1313	1589	gpm
	11	20	31	44	60	69	79	99	123	148	177	240	314	397	491	594	Lb _f
55	31	55	86	124	169	194	220	279	344	417	496	675	881	1115	1377	1666	gpm
	12	22	34	49	66	76	86	109	135	163	194	264	345	437	540	653	Lb _f
60	32	58	90	129	176	202	230	291	360	435	518	705	921	1165	1438	1740	gpm
	13	24	37	53	72	83	94	119	147	178	212	288	377	477	589	712	Lb _f
65	34	60	94	135	183	211	240	303	374	453	539	734	958	1213	1497	1811	gpm
	14	26	40	57	78	90	102	129	159	193	230	313	408	517	638	772	Lb _f
70	35	62	97	140	190	218	249	315	388	470	559	761	994	1258	1554	1880	gpm
	15	27	43	62	84	97	110	139	172	208	247	337	440	556	687	831	Lb _f
75	36	64	101	145	197	226	257	326	402	486	579	788	1029	1303	1608	1946	gpm
	17	29	46	66	90	103	118	149	184	223	265	361	471	596	736	890	Lb _f
80	37	66	104	149	203	234	266	336	415	502	598	814	1063	1345	1661	2010	gpm
	18	31	49	71	96	110	126	159	196	237	283	385	502	636	785	950	Lb _f
85	39	68	107	154	210	241	274	347	428	518	616	839	1096	1387	1712	2071	gpm
	19	33	52	75	102	117	133	169	209	252	300	409	534	676	834	1009	Lb _f
90	40	70	110	159	216	248	282	357	440	533	634	863	1127	1427	1762	2132	gpm
	20	35	55	79	108	124	141	179	221	267	318	433	565	715	883	1069	Lb _f
95	41	72	113	163	222	255	290	366	452	547	652	887	1158	1466	1810	2190	gpm
	21	37	58	84	114	131	149	189	233	282	336	457	597	755	932	1128	Lb _f
100	42	74	116	167	227	261	297	376	464	562	668	910	1188	1504	1857	2247	gpm
	22	39	61	88	120	138	157	199	245	297	353	481	628	795	981	1187	Lb _f
105	43	76	119	171	233	268	304	385	476	576	685	932	1218	1541	1903	2302	gpm
	23	41	64	93	126	145	165	209	258	312	371	505	659	835	1030	1247	Lb _f
110	44	78	122	175	239	274	312	394	487	589	701	954	1246	1577	1948	2356	gpm
	24	43	67	97	132	152	173	219	270	327	389	529	691	874	1079	1306	Lb _f
115	45	80	124	179	244	280	319	403	498	602	717	976	1274	1613	1991	2409	gpm
	25	45	71	102	138	159	181	229	282	341	406	553	722	914	1128	1365	Lb _f
120	46	81	127	183	249	286	325	412	509	615	732	997	1302	1648	2034	2461	gpm
	26	47	74	106	144	166	188	238	294	356	424	577	754	954	1178	1425	Lb _f
125	47	83	130	187	254	292	332	420	519	628	747	1017	1329	1682	2076	2512	gpm
	28	49	77	110	150	172	196	248	307	371	442	601	785	994	1227	1484	Lb _f
130	48	85	132	191	259	298	339	429	529	640	762	1037	1355	1715	2117	2562	gpm
	29	51	80	115	156	179	204	258	319	386	459	625	816	1033	1276	1544	Lb _f
135	49	86	135	194	264	303	345	437	539	653	777	1057	1381	1748	2157	2611	gpm
	30	53	83	119	162	186	212	268	331	401	477	649	848	1073	1325	1603	Lb _f
140	49	88	137	198	269	309	352	445	549	665	791	1077	1406	1780	2197	2658	gpm
	31	55	86	124	168	193	220	278	343	416	495	673	879	1113	1374	1662	Lb _f
145	50	89	140	201	274	314	358	453	559	676	805	1096	1431	1811	2236	2706	gpm
	32	57	89	128	174	200	228	288	356	430	512	697	911	1152	1423	1722	Lb _f
150	51	91	142	205	279	320	364	461	569	688	819	1114	1455	1842	2274	2752	gpm
	33	59	92	132	180	207	236	298	368	445	530	721	942	1192	1472	1781	Lb _f
175	55	98	154	221	301	345	393	497	614	743	884	1204	1572	1990	2456	2972	gpm
	39	69	107	155	210	241	275	348	429	519	618	841	1099	1391	1717	2078	Lb _f
200	59	105	164	236	322	369	420	532	657	794	945	1287	1681	2127	2626	3177	gpm
	44	79	123	177	240	276	314	397	491	594	707	962	1256	1590	1963	2375	Lb _f

NOZZLE PRESSURE PSI (Measured With Pitot Gauge.)

National Fire Protection Association (NFPA) Fire Protection Handbook - 17th Edition
 International Fire Service Training Association (IFSTA) Fire Protection Publications -
 Fire Stream Practices - 7th Edition
 Nozzle Pressure Measured With Pitot Gauge, Reaction Force Measured In Pounds

Smooth Bore Reaction Formula: $NR = 1.57D^2NP$
 Smooth Bore Discharge Formula: $GPM = 29.7D^2 NP$
 D = Bore Diameter in inches NP = Nozzle Pressure in PSI

FLOW INFORMATION

CRITICAL APPLICATION RATES

COMMON ITEMS	AREA IN SQ FT (LXW)	INVOLVEMENT			
		100%	75%	50%	25%
Dumpster	24 (6x4)	8	6	4	2
Car Fire	‡ Full Size	125	125	125	125
Bedroom	225 (15x15)	75	56	38	19
Living Room	300 (15x20)	100	75	50	25
Multiple Bedrooms (2)	450 (15x15)x2	150	113	75	38
Detached Garage	574 (24x24)	192	144	96	48
Mobile Home (house trailer)	980 (14x70)	327	245	164	82
Tax Payer First Floor (downtown store front)	1000 (20x50)	333	250	167	83
Small Ranch House	1125 (45x25)	375	281	188	94
Large 2 Story House (1 Floor)	1600 (40x40)	533	400	267	133
Large 2 Story House (2 Floors)	3200 (40x40)x2	1,066	800	533	267
Pole Barn	3000 (40x50)x1.5*	1,000	750	500	250
Warehouse	40,000 (100x200)x2*	13,333	10,000	6,667	3,333

* Additional Height Factor

GPM FLOW REQUIRED

‡ Minimum application for a car fire is 125 gpm, due to fuel hazards involved.

This water application chart has been designed to provide a quick means of calculating an approximation of the initial flow rates needed. Actual flow rates required will vary depending on the conditions at the scene. This water application chart is not designed to, nor can it, provide the user with the definitive requirements to address a particular fire fighting situation. The selection of application devices and application methods for the fire hazard being addressed is the responsibility of the fire fighting professional.

Quick fireground formula: NFA, National Fire Academy water application rates for room & contents.

$$\frac{L \times W}{3} = \text{GPM}$$

L = Length in feet

W = Width in feet

GPM = Water flow rate required to black out the fire in approximately ten seconds, when properly applied.

This assumes approximate standard combustible contents and heights of 10 feet per story. Adjust for % of involvement, and number of stories involved. Be prepared to increase flow to match 100% involvement, if necessary. Add 25% for exposures.

Ref: IFSTA Fire Protection Publications Fire Stream Practices 7th Edition.

PUMP DISCHARGE PRESSURE CHARTS

1.75" Hose Flow (GPM)	75 PSI Nozzle Pressure Length Of Hose			100 PSI Nozzle Pressure Length Of Hose		
	150 FT (PSI)	200 FT (PSI)	250 FT (PSI)	150 FT (PSI)	200 FT (PSI)	250 FT (PSI)
60	83	86	89	108	111	114
95	96	103	110	121	128	135
125	111	123	136	136	148	161
150	127	145	162	152	170	187
175	146	170	194	171	195	219
200	168	199	230	193	224	255
225	193	232	271	218	257	296
250	220	269	—	245	294	—
275	251	—	—	276	—	—
300	—	—	—	—	—	—
325	—	—	—	—	—	—
350	—	—	—	—	—	—

2.50" Hose Flow (GPM)	75 PSI Nozzle Pressure Length Of Hose			100 PSI Nozzle Pressure Length Of Hose		
	150 FT (PSI)	200 FT (PSI)	250 FT (PSI)	150 FT (PSI)	200 FT (PSI)	250 FT (PSI)
60	76	76	77	101	101	102
95	78	79	80	103	104	105
125	80	81	83	105	106	108
150	82	84	86	107	109	111
175	84	87	90	109	112	115
200	87	91	95	112	116	120
225	90	95	100	115	120	125
250	94	100	106	119	125	131
275	98	105	113	123	130	138
300	102	111	120	127	136	145
325	107	117	128	132	142	153
350	112	124	136	137	149	161

NOTE: Flows may vary with brand or condition of hose. Flows are approximate and do not reflect losses in preconnect piping.

Formula Used: PDP = NP + FL

PDP = Pump Discharge Pressure

NP = Nozzle Pressure

FL = Friction Loss

FL = CQ²L

C for 1.75" Hose = 15.5

C for 2.50" Hose = 2

Q Flow Rate in Hundreds of GPM

L Length of Hose in Hundreds of Feet

DISCHARGE FOR HYDRANT OUTLETS

Outlet Pressure (lbs.)	Outlet Diameter				Outlet Pressure (lbs.)	Outlet Diameter			
	2.5"	3.0"	4.0"	4.5"		2.5"	3.0"	4.0"	4.5"
	U.S. Gallons per Minute					U.S. Gallons per Minute			
1	170	240	430	540	16	670	970	1720	2180
2	240	340	610	770	17	690	1000	1770	2240
3	290	420	740	940	18	710	1030	1820	2310
4	340	480	860	1090	19	730	1050	1870	2370
5	380	540	960	1220	20	750	1080	1920	2430
6	410	590	1050	1340	22	790	1130	2020	2550
7	440	640	1140	1440	24	820	1180	2110	2660
8	480	680	1220	1540	26	860	1230	2190	2770
9	500	730	1290	1640	28	890	1280	2280	2880
10	530	760	1360	1730	30	920	1320	2350	2980
11	560	800	1430	1810	32	950	1370	2430	3080
12	580	840	1490	1890	34	980	1410	2510	3170
13	610	870	1550	1960	36	1010	1450	2580	3260
14	630	900	1610	2040	38	1040	1490	2650	3350
15	650	940	1660	2110	40	1060	1530	2720	3440

HYDRANT DISCHARGE FORMULA

To obtain the flow from hydrant outlets use the same formula as given for smooth bore nozzles but use the factor "C" equal to 0.90. Every Fire Department should check the flow from their hydrants. This can be done simply and easily using only a cap with a pressure gauge attached. Merely place the gauge on one outlet, open the hydrant and read the gauge. Remove another cap, open the hydrant and read the gauge again and obtain the gallons per minute using the above method or from the discharge table for hydrant outlets. Obtain the maximum amount of water available from the discharge table for hydrant outlets. Then to obtain the maximum amount of water available from the hydrant in gallons per minute with a residual of 10 lbs. (which is the lowest you should draw down the pressure on the hydrant) use the following formula.

$$A = \frac{B \times \sqrt{P1-10}}{\sqrt{P1-P2}}$$

Where: A = Gallons per minute available at 10 lbs residual.

B = Gallons per minute obtained.

P1 = Static pressure on hydrant with no water flowing.

P2 = Residual pressure on hydrant with water flowing.

DEFINITIONS OF COMMON PRESSURE TERMS

Static or Sidewall Pressure: "Static" means not moving. Static Pressure can be the pressure on a hydrant while it is not flowing. It can also be the pressure measured at a small hole through the side of a pipe—even if there is flow going through the pipe. Since there is no flow going into the small hole this is another measure of static pressure. Pressure measured through a small hole in the side of a pipe is also known as Sidewall Pressure.

Dynamic Pressure: Dynamic Pressure is pressure caused by the fluid's velocity. In mathematical terms the Dynamic Pressure varies with the velocity squared. So doubling the velocity increases the Dynamic Pressure by four (2 squared equals 4). A pitot tube can be used to measure Dynamic Pressure. A pitot tube is a special device that measures Total and Static Pressures simultaneously. The Dynamic Pressure equals the Total Pressure minus the Static Pressure.

Total Pressure: Total Pressure is the Dynamic Pressure added to the Static Pressure. The Total Pressure can be measured with a "stagnation tube". A stagnation tube is a curved piece of tubing with a pressure gage. Total Pressure is measured by orienting

the tubing so its opening is impacted squarely by the fluid flow. A Stagnation Tube is often called a Pitot Tube in the fire service and is used to measure the Total Pressure at a nozzle's outlet. Since the stream exiting a nozzle has zero Static (or Sidewall) Pressure, a Stagnation Tube in the exit stream gives the Total Pressure.

Residual Pressure: Residual Pressure is the static (or sidewall) pressure at a location while a system is flowing. Due to Friction Loss, the residual pressure decreases as flow increases.

Friction Loss: Friction loss is the amount of pressure difference between two points while flowing. It is determined by comparing the Total Pressure between the two points. For example: A device with a Total Pressure of 120 psi at the inlet and a Total Pressure of 95 psi at the outlet while flowing 1000 gpm. The device's Friction Loss would be 25 psi at 1000 gpm. The Friction Loss varies with the square of the flow. So doubling the flow yields four times the friction loss.

Operating Pressure: Operating Pressure is the Static (or Sidewall) pressure in a device during use.

STANDARDS REFERENCED IN THE CATALOG

NFPA 1962 (2019) - Standard for the Care, Use, Inspection, Service Testing and Replacement of Fire Hose, Couplings, Nozzles, and Fire Hose Appliances.

NFPA 1963 (2019)- Standard for Fire Hose Connections

NFPA 1964 (2018)- Standard for Spray Nozzles

NFPA 1901 (2016)- Standard for Automotive Fire Apparatus

FM 5511 (2005)- Firefighting Nozzles for Use with Hose, Monitor Assemblies and other Firefighting Equipment

FM 1421 (2018)- Monitor Assembly

ISO 228-1: 2000- Pipe Threads where Pressure-Tight Joints are Not Made on Threads- Part 1: Dimensions, Tolerances and Design

ISO 228-2: 1987- Pipe Threads where Pressure-Tight Joints are Not Made on Threads- Part 2: Verification by Means of Limit Gauges

ANSI/ASME B1.20.1-2013 (R2018)- Pipe Threads, General Purpose (inch)

CE- Refers to the following:

IEC 61000-6-3 (2011) General Standards- Emission Standard for Residential, Commercial and Light Industrial Environments

IEC 61000-6-2 (2016) Generic Standards- Immunity for Industrial Environments

METRIC CONVERSIONS

LIQUID VOLUME

To Convert	Into	Multiply by
Ounces (oz)	Milliliters (ml)	29.57
Pints (pt)	Liters (l)	0.4732
Quarts (qt)	Liters (l)	0.9464
Gallons (gal)	Liters (l)	3.785
Milliliters (ml)	Ounces (oz)	0.0338
Liters (l)	Pints (pt)	2.113
Liters (l)	Quarts (qt)	1.057
Liters (l)	Gallons (gal)	0.2642

SOLID VOLUME - WEIGHT

To Convert	Into	Multiply by
Ounces (oz)	Grams (g)	28.3495
Pounds (lb)	Kilograms (kg)	0.4536
Grams (g)	Ounces (oz)	0.035
Kilograms (kg)	Pounds (lb)	2.205

PRESSURE

To Convert	Into	Multiply by
Pounds per square inch (psi)	Kilopascals (kPa)	6.895
Pounds per square inch (psi)	bar	0.06895
Kilopascals (kPa)	Pounds per square inch (psi)	0.145
Kilopascals (kPa)	bar	0.01
bar	Pounds per square inch (psi)	14.503
bar	Kilopascals (kPa)	100.00

LENGTH

To Convert	Into	Multiply by
Inches (in)	Millimeters (mm)	25.4
Inches (in)	Centimeters (cm)	2.54
Feet (ft)	Centimeters (cm)	30.48
Yards (yd)	Meters (m)	0.9144
Miles (mi)	Kilometers (km)	1.609
Millimeters (mm)	Inches (in)	0.039
Centimeters (cm)	Inches (in)	0.394
Meters (m)	Yards (yd)	1.0936
Kilometers (km)	Miles (mi)	0.6214

AREA

To Convert	Into	Multiply by
Square inches (sq in)	Square Centimeters (cm ²)	6.452
Square feet (sq ft)	Square Meters (m ²)	0.093
Square Yards (sq yd)	Square Meters (m ²)	0.836
Square Miles (sq mi)	Square Kilometers (km ²)	2.59
Square Centimeters (cm ²)	Square inches (sq in)	0.155
Square Meters (m ²)	Square feet (sq ft)	1.196
Square Kilometers (km ²)	Square Yards (sq yd)	0.386

TIP SIZES

3/4" Tip = 19 mm	1-1/2" Tip = 38 mm
7/8" Tip = 22 mm	1-3/4" Tip = 45 mm
1" Tip = 25 mm	2" Tip = 50 mm
1-1/8" Tip = 28 mm	2-1/4" Tip = 57 mm
1-1/4" Tip = 32 mm	2-1/2" Tip = 64 mm
1-3/8" Tip = 35 mm	3" Tip = 76 mm

HOSE SIZES

1" Hose = 25.4 mm	4" Storz = 100.00 mm
1.5" Hose = 38.1 mm	4" Hose = 101.60 mm
1.75" Hose = 44.5 mm	4.5" Hose = 114.30 mm
2" Hose = 50.8 mm	5" Storz = 125.00 mm
2.5" Hose = 63.5 mm	5" Hose = 127.00 mm
3" Hose = 76.2 mm	6" Hose = 152.40 mm
3.5" Hose = 88.9 mm	

PRESSURES

50 psi = 345 kPa = 3.45 bar	300 psi = 2069 kPa = 20.69 bar
60 psi = 414 kPa = 4.14 bar	350 psi = 2413 kPa = 24.13 bar
70 psi = 488 kPa = 4.88 bar	400 psi = 2758 kPa = 27.58 bar
75 psi = 517 kPa = 5.17 bar	450 psi = 3103 kPa = 31.03 bar
80 psi = 552 kPa = 5.52 bar	500 psi = 3448 kPa = 34.48 bar
90 psi = 621 kPa = 6.21 bar	550 psi = 3792 kPa = 37.92 bar
100 psi = 690 kPa = 6.90 bar	600 psi = 4137 kPa = 41.37 bar
150 psi = 1034 kPa = 10.34 bar	650 psi = 4482 kPa = 44.82 bar
200 psi = 1379 kPa = 13.79 bar	700 psi = 4827 kPa = 48.27 bar
250 psi = 1723 kPa = 17.23 bar	

FLOW RATE

12 gpm = 45.42 l/min = 45 l/min
13 gpm = 49.20 l/min = 50 l/min
20 gpm = 75.70 l/min = 75 l/min
23 gpm = 87.06 l/min = 90 l/min
25 gpm = 94.62 l/min = 95 l/min
30 gpm = 113.55 l/min = 115 l/min
40 gpm = 151.40 l/min = 150 l/min
50 gpm = 189.25 l/min = 190 l/min
55 gpm = 208.18 l/min = 210 l/min
60 gpm = 227.10 l/min = 230 l/min
70 gpm = 264.95 l/min = 265 l/min
75 gpm = 283.88 l/min = 285 l/min
85 gpm = 321.73 l/min = 320 l/min
95 gpm = 359.58 l/min = 360 l/min
100 gpm = 378.50 l/min = 380 l/min
120 gpm = 454.20 l/min = 460 l/min
125 gpm = 473.13 l/min = 475 l/min
150 gpm = 567.75 l/min = 550 l/min
175 gpm = 662.38 l/min = 660 l/min
200 gpm = 757.00 l/min = 750 l/min
250 gpm = 946.25 l/min = 950 l/min
300 gpm = 1135.50 l/min = 1140 l/min
350 gpm = 1324.75 l/min = 1325 l/min
375 gpm = 1419.38 l/min = 1420 l/min
400 gpm = 1514.00 l/min = 1525 l/min
450 gpm = 1703.25 l/min = 1700 l/min
500 gpm = 1892.50 l/min = 1900 l/min
700 gpm = 2649.50 l/min = 2660 l/min
750 gpm = 2838.75 l/min = 2900 l/min
800 gpm = 3028.00 l/min = 3030 l/min
1000 gpm = 3785.00 l/min = 3800 l/min
1200 gpm = 4542.00 l/min = 4500 l/min
1250 gpm = 4731.25 l/min = 4800 l/min
1500 gpm = 5677.50 l/min = 6000 l/min
2000 gpm = 7570.00 l/min = 7600 l/min

AYNG Hi-Rise Wye Series - A 2-1/2" female inlet by one 1-1/2" male threaded outlet with ball valve and one 1/2" non-valved outlet with protected pressure gauge shall be standard. Wye construction shall be of corrosion resistant hard coat anodized, powder coated aluminum alloy with stainless steel components. Valve shall include high strength nylon folding handle for compact storage, and hard coat aluminum shutoff ball with easily changeable valve seats. Valve shall have engraved serial number and a 5-year warranty.

AYNJ Gated Leader Wye Series - A 2-1/2" female inlet by two 1-1/2" male threaded outlets shall be standard. Wye construction shall be of corrosion resistant hard coat anodized, powder coated aluminum alloy, and stainless steel components. Valve shall include high strength nylon handles with built-in stops, and hard coat aluminum shutoff balls with easily changed valve seats. Valve shall have engraved serial number and a 5-year warranty.

Ball Intake Valve Series - Ball intake valve shall be constructed of corrosion resistant, hard coat anodized aluminum alloy, with stainless steel components and ball section. The unit shall have limited friction loss at 2000 gpm flow and be designed for both pressure and vacuum service. The valve shall have an adjustable 90-300 psi pressure relief valve, air/water drain valve, valve position indicator, chain/lanyard attachment anchor eye, maximum operating pressure shall be 250 psi, and shall meet a 900 psi hydrostatic strength test. The valve shall meet NFPA 1964 requirements. The valve shall have a silver powder coat finish inside and out. All hose couplings shall use a polymer bearing ring for prevention of galvanic corrosion. The 30° inlet elbow shall swivel 360° and have multiple positive detents to prevent hose kinking and coupling stress. Gear box mounted hand crank or side handwheel meets NFPA 1901 slow-close requirements, and handwheel shall be reversible from side to side. Unit shall be available with a choice of hose threaded or Storz couplings, have a serial number, and be covered by a 5-year warranty.

Ball Intake Valve Short Series - Ball intake valve shall be constructed of corrosion resistant, hard coat anodized aluminum alloy, with stainless steel components and ball section. The unit shall have limited friction loss at 2000 gpm flow and be designed for both pressure and vacuum service. The valve shall have an air/water drain valve, valve position indicator, chain/lanyard attachment anchor eye. Maximum operating pressure shall be 250 psi, and meet a 900 psi hydrostatic strength test. The valve shall meet NFPA 1964. The valve shall have a silver Powder Coated finish inside and out. All hose couplings shall use a polymer bearing ring for prevention of galvanic corrosion. Gear box mounted hand crank or side handwheel meets NFPA 1901 slow close requirements, and handwheel is reversible from side to side. Units shall be available with or without automatic pressure relief valve. Units shall be available with your choice of hose threaded or Storz couplings, have a serial number, and be covered by a 5-year warranty.

Ball Intake Valve RC Series - Ball Intake Valve with electric remote control for opening and closing. And have a panel-mounted electric quick connect between the valve and control box. Control box to display open, closed, and intermediate valve positions. Control box and motor shall be waterproof. Ball intake valve shall be constructed of corrosion resistant, hard coat anodized aluminum alloy, with stainless steel components and ball section. The unit shall have limited friction loss at 2000 gpm flow and be designed for both pressure and vacuum service. The valve shall have an adjustable 90-300 psi pressure relief valve, air/water drain valve, valve position indicator, chain/lanyard attachment anchor eye, maximum operating pressure shall be 250 psi, and shall meet a 900 psi hydrostatic strength test. The valve shall meet NFPA 1964. The valve shall have a silver powder coat finish inside and out. All hose couplings shall use a polymer bearing ring for prevention of galvanic corrosion. The 30° inlet elbow shall swivel 360° and have multiple positive detents to prevent hose kinking and coupling stress. Manual override handwheel meets NFPA 1901 slow-close requirements, and be reversible from side to side. Unit shall be available with a choice of hose threaded or Storz couplings, have a serial number, and be covered by a 5-year warranty.

Ball Valve Series - Valve shall be constructed of corrosion resistant, hard coat anodized extruded aluminum alloy. Unit shall have nylon valve ball with detent flow control and high strength nylon handle. Inlet shall have 1-1/2" or 2-1/2" inlet (specify) and discharge outlet shall have 1-1/2" thread for coupling to a combination nozzle or smooth bore tip. Internal waterway shall be 1.375". Color-coded, injection molded nylon pistol grips, and valve handle covers shall be available. Rubber covered laypipe handles are available on 2-1/2" models. Nozzle shall have a full-time swivel inlet and laser engraved serial number and a 5-year warranty.

Ball Valve 75 Series - Valve body shall be constructed of corrosion resistant, hard coat anodized extruded aluminum alloy. Valve shall have stainless steel ball shut-off and quick-change polymer valve seat. Valve handle shall be produced from high strength molded nylon and shall be provided with positive open and close stops. Female inlet (specify rigid or swivel) and male outlet shall have 1" thread. Valve will have .75" internal waterway. Color-coded, injection molded nylon pistol grips and valve handle covers shall be available. Nozzle shall have laser engraved serial number and a 5-year warranty.

Ball Valve 100 Series - Valve body shall be constructed of corrosion resistant, hard coat anodized extruded aluminum alloy. Valve shall have stainless steel ball shut-off and quick-change polymer valve seat. Valve handle shall be produced from high strength molded nylon and shall be provided with positive open and close stops. Swivel female inlet and male outlet shall have 1-1/2" thread (specify). Valve shall have 1" internal waterway. Color-coded, injection molded nylon pistol grips and valve covers shall be available. Nozzle shall have laser engraved serial number and a 5-year warranty.

Ball Valve 125 Series - Valve body shall be constructed of corrosion resistant, hard coat anodized extruded aluminum alloy. Valve shall have stainless steel ball shut-off and quick-change polymer valve seat. Tab style valve handle shall be produced from high strength molded nylon and shall be provided with positive open and close stops. Swivel female inlet and male outlet shall have 1-1/2" or 2-1/2" thread (specify). Valve shall have 1.250" internal waterway. Color-coded, injection molded nylon pistol grips shall be available. Nozzle shall have laser engraved serial number and a 5-year warranty.

Ball Valve 140 Series - Valve body shall be constructed of corrosion resistant, hard coat anodized extruded aluminum alloy. Valve shall have stainless steel ball shut-off and quick-change polymer valve seat. Valve handle shall be produced from high strength molded nylon and shall be provided with positive open and close stops. Swivel female inlet and male outlet shall have 1-1/2" or 2-1/2" thread (specify). Valve shall have 1.375" internal waterway. Color-coded, injection molded nylon pistol grips and handle covers shall be available. Nozzle shall have laser engraved serial number and a 5-year warranty.

Blitzfire® Series - Rated to 500 gpm, the Blitzfire® is a highly maneuverable attack monitor. The unit shall have folding legs with replaceable carbide tips, a 10-50° manually operated elevation outlet angle, and will include an automatic safety flow shut-off to reduce the risk of injury. The six-detent slide valve shut-off shall slow near stroke end to reduce the effects of water hammer. A 40° side-to-side manually operated pivoting outlet shall be standard. An up/down pivot on the hose inlet shall allow the monitor to have stability on uneven surfaces. An anchor strap shall be included, the main body is hard coat anodized aluminum with a blue powder coat finish inside and out, and a 2-1/2" inlet and outlet is standard. An optional, field-installed oscillating package upgrade shall be available. Monitor shall have laser engraved serial number and a 5-year warranty.

Blitzfire OSC® Series - Rated to 500 gpm, the Blitzfire OSC® is a highly maneuverable self-oscillating attack monitor. The unit shall have folding legs with replaceable carbide tips, a 10-50° manually operated elevation outlet angle, and will include an automatic safety flow shut-off to reduce the risk of injury. The six-detent slide valve shut-off shall slow near stroke end to reduce the effects of water hammer. A user-adjustable 20, 30 or 40° side-to-side automatic oscillating sweep outlet with manual override shall be standard. An up/down pivot on the hose inlet shall allow the monitor to have stability on uneven surfaces. An anchor strap shall be included, the main body is hard coat anodized aluminum with a blue powder coat finish inside and out, and a 2-1/2" inlet and outlet is standard. Monitor shall have laser engraved serial number and a 5-year warranty.

Blitzfire® HE Series - Rated to 500 gpm, the Blitzfire® HE is a highly maneuverable attack monitor. The unit shall have folding legs with replaceable carbide tips, a 10-86° manually operated elevation outlet angle, and will include an automatic safety flow shut-off to reduce the risk of injury. The six-detent slide valve shut-off shall slow near stroke end to reduce the effects of water hammer. A 40° side-to-side manually operated pivoting outlet shall be standard. An up/down pivot on the hose inlet shall allow the monitor to have stability on uneven surfaces. An anchor strap shall be included, the main body is hard coat anodized aluminum with a blue powder coat finish inside and out, and a 2-1/2" inlet and outlet is standard. An optional, field-installed oscillating package upgrade shall be available. Monitor shall have laser engraved serial number and a 5-year warranty.

Blitzfire HE OSC® Series - Rated to 500 gpm, the Blitzfire HE OSC® is a highly maneuverable self-oscillating attack monitor. The unit shall have folding legs with replaceable carbide tips, a 10-86° manually operated elevation outlet angle, and will include an automatic safety flow shut-off to reduce the risk of injury. The six-detent slide valve shut-off shall slow near stroke end to reduce the effects of water hammer. A user-adjustable 20, 30 or 40° side-to-side automatic oscillating sweep outlet with manual override shall be standard. An up/down pivot on the hose inlet shall allow the monitor to have stability on uneven surfaces. An anchor strap shall be included, the main body is hard coat anodized aluminum with a blue powder coat finish inside and out, and a 2-1/2" inlet and outlet is standard. Monitor shall have laser engraved serial number and a 5-year warranty.

Bluetooth® Tactile Touch Controller - The hand-held electronic controller for operation, configuration, and diagnostic reporting of Task Force Tips RC monitors shall be provided, via wireless Bluetooth. The unit requires a TFT Bluetooth® interface adapter (sold separately) to be installed on the TFT monitor. The device shall have a 5.0" touch screen display (720x1280p), internal rechargeable Li-ion battery, and is IP68 water and dust certified. The unit shall include charging cable. The unit shall have a 1-year warranty.

PRODUCT GROUP SPECIFICATIONS

Bluetooth® Interface Adapter - An inline Bluetooth® interface adapter shall be provided. The adapter shall allow Task Force Tips RC monitors to communicate with the Bluetooth® Tactile Touch Controller (sold separately) for operation, configuration and diagnostics. The unit shall have waterproof Deutsch connectors for installation in TFT RC monitor cables. The unit shall have a 5-year warranty.

Booster Series - The Booster is a secondary supply inlet for standpipe-mounted monitors. The Booster shall be rated up to 2500 gpm and shall allow pressure to be boosted using a pump, and/or foam to be introduced. The Booster shall allow a large diameter hose or in-line foam eductor to be connected to the secondary inlet with optional Storz or female hose threads ranging from 3.5" up to 6.0" (specify). Body shall be constructed of hard coat anodized aluminum alloy and have a red powder coat finish inside and out for maximum corrosion protection. A swing check valve within the secondary inlet shall allow connections to be made while the monitor is flowing from the main inlet (standpipe). An external automatic drain valve is standard to completely drain the monitor and Booster body following each use. The main inlet shall be available for either direct connection to a Task Force Tips Hydrant Under Monitor (HUM), or adapted to a 4" ANSI 150 flange bolt pattern (specify). Various outlets for monitor connection are available including 4" ANSI 150 flange or direct Task Force Tips monitor connection eliminating one flange (specify). The unit shall have a unique serial number and a 5-year warranty.

Booster OSC Series - The Booster OSC is a secondary supply inlet with automatic monitor oscillation for standpipe-mounted monitors. The unit shall be rated up to 2500 gpm and shall allow pressure to be boosted using a pump, and/or foam to be introduced. The Booster shall allow a large diameter hose or in-line foam eductor to be connected to the secondary inlet with Storz or female hose threads ranging from 3.5" up to 6.0" (specify). An internal water-driven turbine shall power the oscillation without discharging water to the ground below the unit. Oscillation shall be functional from either boost or standpipe water sources. Oscillation angle shall be adjustable by hand from 0° to 120° with or without water flowing. The sweep range shall be capable of being tested without flowing by means of a wrench or low speed drill. The oscillation pattern can be centered throughout 360° travel by rotating the monitor hand wheel or tiller bar. Two field changeable gear ratio options for 4 or 8 cycles per minute (rated @2000 gpm flow) shall be included. Body shall be constructed of hard coat anodized aluminum alloy and have a red powder coat finish inside and out for maximum corrosion protection. A swing check valve within the secondary inlet shall allow connections to be made while the monitor is flowing from the main inlet (standpipe). An external automatic drain valve shall be standard to completely drain the monitor and Booster body following each use. The main inlet shall be available for either direct connection to a Task Force Tips Hydrant Under Monitor (HUM), or Industrial Valve Under Monitor (IVUM), or adapted to a 4" ANSI 150 flange bolt pattern (specify). The Booster OSC is compatible with TFT Monsoon, Typhoon and Hurricane monitors that are specified with inlet option W) swivel base. The unit shall have a unique serial number and a 5-year warranty.

Bubble Cup® Series - Lightweight fog, straight stream, and foam aspiration nozzles with dual gallonage settings. Nozzles shall have a retractable aluminum sleeve for foam aspiration, twist shut-off, and shall be available with stainless steel ball shut-off and quick-change polymer valve seat. Valve handle shall be produced from high strength molded nylon and shall be provided with positive open and close stops. The extruded aluminum alloy body and sleeve shall be hard coat anodized and reflective labeling shall be standard. Color-coded, injection molded nylon pistol grips and handle covers shall be available. Nozzle shall have laser engraved serial number and a 5-year warranty.

Bubble Cup® ER Series - Lightweight fog, straight stream, and foam aspiration nozzles with dual gallonage settings. Nozzle shall have a retractable aluminum sleeve for foam aspiration, electric motor operation of nozzle spray pattern, gallonage flow rate selection, and nozzle shut off. The extruded aluminum alloy body and sleeve shall be hard coat anodized and reflective labeling shall be standard. Nozzle shall be for use with Task Force Tips EF1 monitor only. Nozzle shall have laser engraved serial number and a 5-year warranty.

CAFS-Force Nozzle - Nozzles shall be engineered to provide optimal foam stream performance, as well as offering low pressure nozzle operations when using water alone. Nozzles shall have a molded rubber bumper with "power fog" teeth, flush without shutting down, reflective labeling shall be standard, and meet NFPA 1964. The extruded aluminum alloy body shall be hard coat anodized and nozzle shall have an automatic dual-pressure control with a water flow capacity of 70-200 gpm that may be switched from standard low pressure (water application) to CAFS mode. Nozzle shall have laser engraved serial number and a 5-year warranty.

Crossfire® Series - Rated to 1250 gpm, the Crossfire® is a portable ground monitor and/or deck mounted monitor. The Crossfire® monitor top with hand wheel shall provide elevation control from 90° to the safety stop at 30° above horizontal, and shall be capable of lower elevation angle when truck mounted. A visually verifiable lever action rotational lock, quick release bar with locking pawls, automatic drain valve, stainless steel worm

gear, integral stream straighteners, and pressure gauge shall all be standard. The SAFE-TAK® ground base shall have replaceable carbide tipped, stainless steel folding legs, and will include an automatic safety flow restriction device to reduce the risk of injury. An anchor strap attached to protective ground base outlet cap shall be included. All castings are hard coat anodized aluminum alloy with a powder coat finish inside and out, and available with twin 2-1/2" clapped inlet, or single large diameter inlet. An optional pressure relief valve (single inlet models only), truck mounting bracket, apparatus mounting adapters and nozzles are available. Monitor and base shall each have laser engraved serial number and a 5-year warranty.

Dual Flow LX Foam Nozzle - The foam aspirating dual gallonage high flow nozzle has two flow settings of 800 and 1585 gpm @ 150 psi. Flow settings are changed using a locking lever handle. Unit requires no grease or other maintenance. Nozzle shall be constructed of lightweight hard coat anodized materials. Standard inlet shall be 3-1/2" female swivel. Nozzle shall have a laser engraved serial number and a 5-year warranty.

Dual-Force® Series - Lightweight fog and straight stream nozzles with constant pressure / variable gallonage operation. Nozzles shall have a molded rubber bumper with "power fog" teeth, a stainless steel slide valve with detent flow control (except tip-only models), and inlet debris screen. The nozzle shall have a dual pressure selector that allows for 100 psi or 55 psi pressure operation or a low-pressure version that allows 75 psi or 45 psi pressure operation. The extruded aluminum alloy body shall be hard coat anodized and reflective labeling shall be standard. The nozzle shall have a full-time swivel inlet (except tip-only models), flush without shutting down and meet NFPA 1964. Color-coded, injection molded nylon pistol grips and valve handle covers (except tip-only models) shall be available and nozzles shall accept the low and multi-expansion foam attachments. Nozzle shall have laser engraved serial number and a 5-year warranty.

EF1 RC Monitor Series - Rated up to 200 gpm, the EF1 RC is a remotely controlled truck mounted monitor with electric remote control of rotation and elevation angle and nozzle pattern. The electric motor shall provide elevation control from 90° above horizontal to 45° below horizontal. The unit shall have an electronically operated 270° horizontal rotational travel, user installed travel limit stops to give 180° of rotation, and stainless steel worm gear drive with manual override knobs. Optional remote wired, tethered, Bluetooth®, and wireless radio remote controls shall be available. Compact design with waterproof, integral motor and electronics enclosure reduces potential for damage. The discharge elbow shall include an integral stream straightener and mounting flange for optional light kit. The monitor shall be constructed of hard coat anodized aluminum alloy and shall have a silver powder coat finish inside and out. Various flange and threaded inlets shall be available (specify) with 1-1/2" outlet. Unit shall have serial number and a 5-year warranty.

Extend-A-Gun™ Manual Series - The telescoping waterway shall be capable of being lowered to deck level (or into a monitor well) for monitor storage, and shall be capable of raising the monitor to an extended position by lifting the quick release bar and raising the unit manually. The extension shall be available in extension travel lengths of either 12" or 18" (specify) and shall lock into and be usable in fully raised or fully lowered positions. The Extend-A-Gun shall allow for full 360-degree monitor rotation operation in either the raised or lowered positions. Shall have a 3" waterway, hard coat anodized finish, and built-in sensor for connection to "monitor raised" warning light. The inlet shall be either 3" grooved Victaulic or 3" male NPT or BSP thread (specify). The outlet shall be either 3" male NPT thread or Crossfire monitor connection (specify). Unit shall have laser engraved serial number and be covered by a 5-year warranty.

Extend-A-Gun RC 3™ Series - The remote controlled telescoping waterway shall be capable of being lowered to deck level (or into a monitor well) for monitor storage, and shall be capable of raising the monitor to an extended position by electric remote control. The extension travel length shall be either 12" or 18" and shall lock and be usable in fully raised or fully lowered positions and operated by an electric motor controlled from TFT RC monitor controls or with optional remote control operator's panel. Manual override shall be included. The Extend-A-Gun RC 3 shall allow for full 360° monitor rotation operation in either the raised or lowered positions. Shall have a 3" waterway, hard coat anodized finish, and built-in sensor for connection to "monitor raised" warning light. The inlet shall be either 3" grooved Victaulic or 3" male NPT or BSP thread (specify). The outlet shall have Tornado, Hurricane, Typhoon or Monsoon manual or electric remote monitor attachment (specify). Unit shall have serial number and be covered by a 5-year warranty.

Extend-A-Gun RC 4™ Series - The remote controlled telescoping waterway shall be capable of being lowered to deck level (or into a monitor well) for monitor storage, and shall be capable of raising the monitor to an extended position by electric remote control. The extension travel length shall be 18" and shall lock and be usable in fully raised or fully lowered positions and be operated by an electric motor controlled from TFT RC monitor controls or with optional remote control operators panel. Manual override shall be included. The Extend-A-Gun RC 4 shall allow for full 360° monitor rotation operation in

either the raised or lowered position. Shall have a 4" waterway, hard coat anodized finish, and built-in sensor for connection to "monitor raised" warning light. The inlet shall be either 4" grooved Victaulic or 4" male NPT or BSP thread (specify). The outlet shall have Hurricane, Typhoon or Monsoon manual or electric remote monitor attachment (specify). Unit shall have serial number and be covered by a 5-year warranty.

Extend-A-Gun Pipe - Easily add 18" to your Crossfire Deck gun outlet connection using the Extend-A-Gun Pipe. Simply remove the Crossfire monitor from the truck mount adapter, add the Extend-A-Gun Pipe and connect the Crossfire. Visually verifiable rotation lock and locking mechanism. Extend-A-Gun Pipe is made from hard coat anodized aluminum alloy for light weight and corrosion resistance. Not for use on Extend-A-Gun telescoping waterway. Not for use on portable ground base. Unit shall have serial number and be covered by a 5-year warranty.

Flip Tip 2 Series - Nozzle shall have a spring-loaded locking ring with large grips for releasing the lock on the swivel joint to quickly and securely switch between two nozzles during use. Unit shall be constructed of corrosion resistant hard coat anodized aluminum alloy. Unit shall have either two sizes of smooth bore, or a smooth bore in the base section and a combination fog/straight stream nozzle (specify). Combination nozzle shall be available in either single or dual pressure automatic constant pressure variable flow, or fixed gallonage (specify). Unit shall have a serial number, Scotchlite reflective labeling, 2-1/2" threads, and be covered by a 5-year warranty.

Foam Eductor 125 Series - Portable in-line foam eductor shall be constructed of corrosion resistant, hard coat anodized aluminum alloy, with stainless steel components. Eductor shall have 1-1/2" or 2-1/2" inlet (specify) and 1-1/2" outlet, and shall be available in 60, 95 or 125 gpm flow rating (specify) and shall accurately proportion at 0.25%, 0.5%, 1%, 3%, and 6% user adjustable settings with detents. The pickup head shall include a quick connector and push-button back-flush function. Concentrate pick-up tube shall be constructed of 1" ID industrial grade, transparent reinforced tubing and stainless steel components. The units shall meet a 900 psi hydrostatic strength test. Eductors shall meet NFPA 1965. Units shall have a laser engraved serial number and be covered by a 5-year warranty.

Foam Eductor 350 Series - Portable in-line foam eductor shall be constructed of corrosion resistant, hard coat anodized aluminum alloy, with stainless steel components. Eductor shall have 2-1/2" inlet and outlet, and shall be available in 250 or 350 gpm flow rating at either 150 or 200 psi inlet pressure (specify). It shall accurately proportion at 0.5%, 1%, 3%, and 6% user adjustable settings with detents. The pickup head shall include a quick connector and push-button back-flush function. Concentrate pick-up tube shall be constructed of 1.25" ID industrial grade, UV resistant tubing and stainless steel components. The units shall meet a 900 psi hydrostatic strength test. Eductors shall meet NFPA 1965. Units shall have a laser engraved serial number and be covered by a 5-year warranty.

Forestry Gated Wye Series - A 1" or 1-1/2" female inlet (specify) by two 1" or 1-1/2" male threaded outlets (specify) shall be standard. Wye construction shall be of corrosion resistant hard coat anodized, aluminum alloy, and stainless steel components. Valve shall include high strength nylon handles with built-in stops, and easily changed valve seats. Valve shall have engraved serial number and a 5-year warranty.

Forestry In-line Valve - A 1" or 1-1/2" female inlet (specify) by 1" or 1-1/2" male threaded outlet (specify) shall be standard. Valve construction shall be of corrosion resistant hard coat anodized, aluminum alloy, and stainless steel components. Valve shall include high strength nylon handle with built-in stops, and easily changed valve seats. Valve shall have engraved serial number and a 5-year warranty.

Forestry In-line Tee - A 1-1/2" female inlet and 1-1/2" male threaded outlet shall be standard. Branch outlet shall be 1" NH or NPSH male thread (specify). Valve shall include high strength nylon handle. Valve shall have engraved serial number and a 5-year warranty.

Gated Leader Wye Series - A 2-1/2" female inlet by two 1-1/2" male threaded outlets shall be standard. Wye construction shall be of corrosion resistant hard coat anodized, powder coated aluminum alloy, and stainless steel components. Valve shall include high strength nylon handles with built-in stops, and hard coat aluminum shutoff balls with easily changed valve seats. Valve shall have engraved serial number and a 5-year warranty.

Gated Hi-Rise Wye Series - A 2-1/2" female inlet by one 1-1/2" male threaded outlet with ball valve and one 1-1/2" non-valved outlet with protected pressure gauge shall be standard. Wye construction shall be of corrosion resistant hard coat anodized, powder coated aluminum alloy with stainless steel components. Valve shall include high strength nylon folding handle for compact storage, and hard coat aluminum shutoff ball with easily changeable valve seats. Valve shall have engraved serial number and a 5-year warranty.

Gated Wye 2 1/2" - shall have a full 2-1/2" waterway, field replaceable valve seats, and a quarter-turn valve handle or slow close knob (specify) requiring low force to move

valve with up to 250 psi (17 bar) maximum operating pressure from either side of valve. Automatic valve lock to maintain valve position while flowing at partial openings shall be standard. Quarter turn color coded folding valve handles for compactness, or slow close valves with large knob with valve position indicator (specify) and cast in carrying handle shall be standard. Pipe threaded ports for pressure gauge or bleed valve and hole for cap tether attachment shall be included. Aluminum casting shall be hard coat anodized and silver TFT-powder coat finish inside and out for maximum corrosion protection. Available with many combinations of inlet and outlet connections. Valve shall have serial number and a 5-year warranty.

Gated Siamese 2 1/2" - shall have a full 2-1/2" waterway, field replaceable valve seats, and a quarter-turn valve handle or slow close knob (specify) requiring low force to move valve with up to 250 psi (17 bar) maximum operating pressure from either side of valve. Automatic valve lock to maintain valve position while flowing at partial openings shall be standard. Quarter turn color coded folding valve handles for compactness, or slow close valves with large knob with valve position indicator (specify) and cast in carrying handle shall be standard. Pipe threaded ports for pressure gauge or bleed valve and hole for cap tether attachment shall be included. Aluminum casting shall be hard coat anodized and silver TFT-powder coat finish inside and out for maximum corrosion protection. Available with many combinations of inlet and outlet connections. Valve shall have serial number and a 5-year warranty.

Handline Series - Lightweight fog and straight stream nozzles with constant pressure / variable gallonage operation. Nozzles shall have a molded rubber bumper with "power fog" teeth, a stainless steel slide valve with detent flow control, (except tip-only models) and inlet debris screen. The extruded aluminum alloy body shall be hard coat anodized, and reflective labeling shall be standard. The nozzle shall have a full-time swivel inlet (except tip-only models), flush without shutting down and meet NFPA 1964. Color-coded, injection molded nylon pistol grips and color-coded valve handle covers shall be available (except tip-only models). Nozzles shall accept the low and multi-expansion foam attachments. Nozzle shall have laser engraved serial number and a 5-year warranty.

Hemisphere Series - The portable monitor shall be capable of flows up to 500 gpm while attached securely to adequate supporting structures using one of the attachment mounts. The unit shall be constructed of corrosion resistant hard coat anodized aluminum alloy and stainless steel components. The 90° ball valve inlet shall rotate 360° and shall have a valve handle with locking off position. The nozzle outlet connection shall rotate 360° using a hand crank, and have adjustable double ball swivel to allow water or foam discharge anywhere in a hemispherical range. Various mounts including an I-beam clamp and 2" hitch receiver mount, dedicated 2" hitch mount, fixed mount, and cross-pin mount shall be available (specify). The monitor and valve body shall have blue Powder Coated finish inside and out. The unit shall have a serial number and be covered by a 5-year warranty.

Hose Roller - Hose roller components shall be made from aluminum alloy with stainless steel hardware and polymer rollers. Unit shall have three hand grips and be hinged at one end. Unit shall be covered by a 5-year warranty.

HUM - Hydrant Under Monitor Series - The valve with two large diameter hose ports shall be designed for use under monitors and have low friction loss through its large, unobstructed waterway. Rated up to 300 psi (21 bar) and supporting monitors up to 2500 gpm. Valve body shall be constructed of hard coat anodized aluminum alloy and have a red powder coat finish inside and out for maximum corrosion protection. All other structural components shall be constructed of hard coat anodized aluminum alloy. Two concentric slow-close half ball valves shall allow the monitor to be operated either independently or simultaneously with the hose ports. Each half ball shall be controlled by a hand crank through a sealed gear box with color-coded retro-reflective valve position indicator for visibility in most light conditions. Valve inlet base shall be a 6" ANSI 150 flange. An external automatic drain valve is standard, as well as a second internal drain valve located within the monitor valve half ball to completely drain the monitor and valve body following each use. An optional third internal automatic drain valve within the main shutoff half ball (specify) shall be available to assist in draining water when the valve is closed, after the incoming water pressure is shut off. Various outlets for monitor connection are available including 4" ANSI 150 flange, direct Task Force Tips monitor connection eliminating one flange, or Task Force Tips Booster unit (specify). Various outlets for hose port connection are available including Storz couplings, male threaded spouts or gated wye, with sizes ranging from 1.5" up to 6.0" (specify). All hose connections are supplied with a pressure cap with lanyard. A blind plug shall be installed in the smaller of the two hose ports when no connection is specified. The unit shall have a unique serial number and have a written 5-year warranty.

Hurricane Monitor Series - Rated up to 1250 gpm, the Hurricane is a fixed station or truck mounted monitor. The hand wheel shall provide elevation control from 90° above to 90° below horizontal. The unit shall have a full 360° rotational travel, visually verifiable lever

PRODUCT GROUP SPECIFICATIONS

action rotational locking mechanism, automatic drain valve, stainless steel worm gear, and shall have grease zerk fittings for easy service and lubrication. The discharge elbow shall include an integral stream straightener. The monitor shall be hard coat anodized aluminum alloy, and shall have a red powder coat finish inside and out. Various flange and threaded inlets including locking quick connect shall be available (specify). Unit shall have laser engraved serial number and be covered by a 5-year warranty.

Hurricane RC Monitor Series - Rated up to 1250 gpm, the Hurricane RC is a remotely controlled fixed station or truck mounted monitor with electric remote control of rotation and elevation angle. The electric motor shall provide elevation control from 90° above and 45° below horizontal. The unit shall have an electrically operated 450° horizontal rotational travel, user installed travel limit stops, automatic drain valve, stainless steel worm gear drive, and shall have grease zerk fittings for easy service and lubrication. User operation controls shall be mounted on the monitor, and shall include rotation, elevation and nozzle stream pattern control programmable park and oscillate and two auxiliary controls. Optional remote wired, tethered and wireless remote controls shall be available. The discharge elbow shall include an integral stream straightener. The monitor shall be constructed of hard coat anodized aluminum alloy and shall have a silver powder coat finish inside and out. Various flange and threaded inlets including locking quick connect shall be available (specify). Unit shall have serial number and be covered by a 5-year warranty.

Hydrant Adapter - The adapter shall allow for permanent attachment to hydrant discharge. The adapter shall include a set screw for tamper-proof installation and a permanently secured Storz cap with lock. The unit shall include Scotchlite reflective labels to identify flow per NFPA. Adapter and cap shall be constructed of corrosion resistant hard coat anodized aluminum alloy, with stainless steel components. The units shall meet NFPA 1963 and 1965 900 psi hydrostatic design strength test and be covered by a 5-year warranty.

Hydrant Assist Valves - Hydrant assist valve shall have stainless steel valve ball section, gear box mounted hand crank with valve position indicator, low friction loss, maximum operating of 250 psi, and shall meet a 900 psi hydrostatic strength test. An automatic clapper valve with position indicator shall be standard to allow water flow in the event of booster pump failure for uninterrupted water flow. Large diameter inlets and outlets shall have corrosion resistant polymer bearing strip, and be available in threaded or Storz connections (specify), and shall have a carrying strap. Aluminum casting shall be hard coat anodized and silver TFT-Powder Coat finished for maximum corrosion protection. The unit shall have a serial number and a 5-year warranty.

In-line Pressure Gauge 1-1/2" - Gauge waterway body shall be constructed of corrosion resistant, hard coat anodized aluminum alloy. Units shall be available in 1-1/2" female swivel inlet and male outlet. Pressure gauge shall be liquid-filled, with pitot-type probe into the waterway. Gauge shall have protective rubber bumper and be available in 0-200 psi or 0-300 psi (specify). Unit shall be covered by a 5-year warranty.

In-line Pressure Gauge 2-1.2" - Gauge waterway body shall be constructed of corrosion resistant, hard coat anodized aluminum alloy. Units shall be available in 2-1/2" female swivel inlet and rigid male outlet or pivoting male outlet (specify). Pressure gauge shall be liquid-filled, with pitot-type probe into the waterway. Gauge shall have protective ring and lens cover and be available in 0-200 psi or 0-300 psi (specify). Unit shall be covered by a 5-year warranty.

In-line Valve Ground / Loose - LDH in-line valve shall be constructed of hard coat anodized aluminum alloy with silver powder coat finish inside and out for maximum corrosion protection, and shall include a carrying handle. Valve shall have stainless steel valve ball section, maximum operating pressure of 250 psi, and shall meet a 900 psi hydrostatic design strength test. Gear box mounted hand crank or side handwheel (specify) meets NFPA 1901 slow-close requirements, and handwheel shall be reversible from side to side. A 3/4" pipe threaded port for optional air bleeder/drain valve shall be provided. Large diameter inlet and outlet shall have corrosion resistant polymer bearing strip, and be available with threaded or Storz connections with full time swiveling couplings that will swivel when connection is tightened (except male threaded, which shall be rigid) (specify). An optional pressure relief valve shall be available. Unit shall have a unique serial number and be covered by a 5-year warranty.

In-line Valve Truck / Fixed - LDH in-line valve shall be constructed of hard coat anodized aluminum alloy with silver powder coat finish inside and out for maximum corrosion protection, and shall include a carrying handle. Valve shall have stainless steel valve ball section, maximum operating pressure of 250 psi, and shall meet a 900 psi hydrostatic design strength test. Gear box mounted hand crank or side handwheel (specify) meets NFPA 1901 slow-close requirements, and handwheel shall be reversible from side to side. A 3/4" pipe threaded port for optional air bleeder/drain valve shall be provided. Large diameter inlet and outlet shall have corrosion resistant polymer bearing strip, and be available with threaded connections with swiveling couplings that will not allow swiveling

of the valve when connection is tightened (except male threaded, which shall be rigid) (specify). An optional pressure relief valve shall be available. Unit shall have a unique serial number and be covered by a 5-year warranty.

IVUM 4" Industrial Valve Under Monitor Series - Valve shall be designed for use under monitors and have low friction loss through its large, unobstructed waterway. Rated up to 300 psi (21 bar) and supporting monitors up to 2500 gpm. Valve body shall be constructed of hard coat anodized aluminum alloy and have a red powder coat finish inside and out for maximum corrosion protection. Inlet flange, half ball and associated hardware shall be available as a collective option of either stainless steel or hard coat anodized aluminum alloy (specify). Valve shall control water flow adjacent to the 4" ANSI 150 inlet flange. An external automatic drain valve is standard to completely drain the monitor and valve body following each use. An optional internal automatic drain valve within the half ball (specify) shall be available to assist in draining water when the valve is closed, after the incoming water pressure is shut off. Various outlets for monitor connection are available including 4" ANSI 150 flange or direct TFT monitor connection eliminating one flange (specify). Monitor valve control shall be controlled by a hand crank through a sealed gear box with two retro-reflective valve position indicators for visibility around a 360° perimeter in most light conditions. Valve seats shall be field replaceable using a tool available from Task Force Tips. The unit shall have a serial number and a written 5-year warranty.

Jumbo Ball Intake Valve Series - Ball Intake Valve shall have a 5-1/4" diameter waterway. The unit shall be constructed of corrosion resistant, hard coat anodized aluminum alloy, with stainless steel components and ball section. The unit shall have limited friction loss at 3000 gpm flow and be designed for both pressure and vacuum service. The valve shall have an adjustable 90-300 psi pressure relief valve, air/water drain valve, valve position indicator, chain/lanyard attachment anchor eye, maximum operating pressure shall be 250 psi, and shall meet a 900 psi hydrostatic strength test. The valve shall meet NFPA 1965. The valve shall have a silver powder coat finish inside and out. All hose couplings shall use a polymer bearing ring for prevention of galvanic corrosion. The 30° inlet elbow shall swivel 360° and have multiple positive detents to prevent hose kinking and coupling stress. Models without inlet elbow shall be available. Gear box mounted hand crank or handwheel (specify) shall meet NFPA 1901 slow-close requirements, and handwheel shall be reversible from side to side. Unit shall be available with a choice of hose threaded or Storz couplings, have a serial number and be covered by a 5-year warranty.

Jumbo Ball Intake Valve RC Series - Ball Intake Valve with electric remote control for opening and closing and have a panel mounted electric quick connect between the valve and control box. Control box to display open, closed, and intermediate valve positions. Control box and motor shall be waterproof. Ball Intake Valve shall have a 5-1/4" diameter waterway. Ball intake valve shall be constructed of corrosion resistant, hard coat anodized aluminum alloy, with stainless steel components and ball section. The unit shall have limited friction loss at 3000 gpm flow and be designed for both pressure and vacuum service. The valve shall have an adjustable 90-300 psi pressure relief valve, air/water drain valve, valve position indicator, chain/lanyard attachment anchor eye, maximum operating pressure shall be 250 psi, and shall meet a 900 psi hydrostatic strength test. The valve shall meet NFPA 1965. The valve shall have a silver powder coat finish inside and out. All hose couplings shall use a polymer bearing ring for prevention of galvanic corrosion. The 30° inlet elbow shall swivel 360° and have multiple positive detents to prevent hose kinking and coupling stress. Models without inlet elbow shall be available. Manual override hand wheel shall meet NFPA 1901 slow-close requirements, and be reversible from side to side. Unit shall be available with a choice of hose threaded or Storz couplings, have a serial number, and be covered by a 5-year warranty.

Jumbo Ball Intake Valve Low Profile Series - Ball intake valve shall be constructed of corrosion resistant, hard coat anodized aluminum alloy, with special coating on wetted components. The unit shall have limited friction loss at 2000 gpm flow and be designed for both pressure and vacuum service. The valve shall have an air/bleeder valve, valve position indicator, chain/lanyard attachment anchor eye. Maximum operating pressure shall be 250 psi, and meet a 900 psi hydrostatic design strength test. The valve shall meet NFPA 1965. The valve shall have a silver powder-coated finish inside and out. All hose couplings shall use a polymer bearing ring for prevention of galvanic corrosion. The 30° inlet elbow at the bottom of the valve shall swivel to a below the valve for storage and swivel out to reduce hose kinking and coupling stress. Gear box mounted with top or front facing operating crank handle meets NFPA slow close requirements and shall have position indicator. Units shall be available with an automatic pressure relief valve. Units shall be available with your choice of hose threaded or Storz connections (specify), have a serial number, and be covered by a 10-year warranty.

Jumbo Ball Intake Valve Low Profile RC Series - Ball intake valve shall be constructed of corrosion resistant, hard coat anodized aluminum alloy, with special coating on wetted components. The unit shall have limited friction loss at 2000 gpm flow and be designed for both pressure and vacuum service. The valve shall have an air/bleeder valve, valve

position indicator, and chain/lanyard attachment anchor eye. Maximum operating pressure shall be 250 psi, and meet a 900 psi hydrostatic design strength test. The valve shall meet NFPA 1965. The valve shall have silver Powder Coated finish inside and out. All hose couplings shall use a polymer bearing ring for prevention of galvanic corrosion. The 30° inlet elbow at the bottom of the valve shall swivel to below the valve for storage and swivel out to reduce hose kinking and coupling stress. Valve shall have electric remote control for valve operation. The control box shall display open, closed, and intermediate valve positions using LEDs. The valve shall include a waterproof quick connect electrical plug and receptacle for panel mounting near the valve location. Control box and motor shall be waterproof. Manual override knob shall meet NFPA 1901 slow close requirements. Units shall have an automatic pressure relief valve with visible pressure setting indication. Units shall have an automatic pressure relief valve with visible pressure setting indication. Units shall be available with threaded or Storz connections (specify), have a serial number, and be covered by a 10-year warranty.

Jumbo Siamese and Wye Series - Wye and Siamese shall be constructed of corrosion resistant, hard coat anodized aluminum alloy, with stainless steel components. The units shall have chain/lanyard attachment anchor eye, rugged carrying handle (except 2-1/2" models), and shall meet a 900 psi hydrostatic strength test. Units shall meet NFPA 1965. The unit shall have a silver powder coat finish inside and out. All LDH hose couplings shall use a polymer bearing ring for prevention of galvanic corrosion. Siamese unit shall include dual clapper valves (except 2-1/2" models, which shall include a single clapper valve). Unit shall be available with a choice of hose threaded or Storz couplings, have a serial number, and be covered by a 5-year warranty.

LDH Gated Water Thief - LDH Water Thief shall have two (2) full 2-1/2" waterway valved ports with field replaceable valve seats, and multi-turn, slow close knob with valve position indicator. 2-1/2" ports shall be available with male thread or female swivel threaded connections (specify). Large diameter valve shall have a stainless valve ball section with gear box mounted hand crank that meets NFPA 1901 slow-close requirements. Large diameter ports shall have corrosion resistant polymer bearing strips and shall be available in threaded or Storz connections (specify). Aluminum casting shall be hard coat anodized, and silver TFT Powder Coat finished inside and out for maximum corrosion protection. Units shall include 3/4" pipe threaded port for optional air bleeder/drain valve. An optional, adjustable, automatic pressure relief valve shall be available. The unit shall have a maximum operating pressure of 300 psi, and shall meet a 900 psi hydrostatic design strength test. Unit shall have a serial number and a 5-year warranty.

LDH In-Line Valves - LDH in-line valve shall have stainless steel valve ball section, valve position indicator, maximum operating of 250 psi, and shall meet a 900 psi hydrostatic strength test. Gear box mounted hand crank or side handwheel (specify) meets NFPA 1901 slow-close requirements, and handwheel shall be reversible from side to side. 3/4" pipe threaded port for optional air bleeder/drain valve shall be included. Large diameter inlet and outlet shall have corrosion resistant polymer bearing strip, and be available in threaded or Storz connections (specify), and shall have a carrying handle. Aluminum casting shall be hard coat anodized and silver TFT-powder coat finish inside and out for maximum corrosion protection. An optional, adjustable pressure relief valve shall be available. The unit shall have a serial number and a 5-year warranty.

LDH Manifold and Siamese, 3-Way - LDH by 2-1/2" LDH 3-way manifold and Siamese shall have three (3) full 2-1/2" waterway valved ports with field replaceable valve seats, quarter turn valve handles with low force to move even under pressure with up to 250 psi (17 bar) maximum operating pressure from either side of the valves. Automatic valve lock on 2-1/2" valves keep their position while flowing at partial openings and shall be standard. Units shall include three folding color coded valve handles to minimize storage space, or slow close valves with large knobs with valve position indicator (specify). A 3/4" pipe threaded port for optional air bleeder/drain valve shall be included. Large diameter port shall have corrosion resistant polymer bearing strip, and be available in threaded or Storz connections (specify). Unit shall have a strap for carrying and dragging hose. Aluminum casting shall be hard coat anodized and silver TFT-Powder Coat finish inside and out for maximum corrosion protection. 3-Way Manifold shall have male thread on 2-1/2" valved ports and Siamese shall have female swivel threaded connections on 2-1/2" valved ports. Maximum operating pressure of the unit shall be 250 psi. An optional, adjustable pressure relief valve shall be available. The unit shall have a serial number and a 5-year warranty.

LDH Manifold and Siamese, 4-Way - LDH by 2-1/2" LDH 4-way manifold and Siamese shall have four (4) full 2-1/2" waterway valved ports with field replaceable valve seats, quarter turn valve handles with low force to move even under pressure with up to 250 psi (17 bar) maximum operating pressure from either side of the valves. Automatic valve lock on 2-1/2" valves keep their position while flowing at partial openings and shall be standard. Units shall include four folding color coded valve handles to minimize storage space, or slow close valves with large knobs with valve position indicator (specify). A 3/4" pipe threaded port for optional air bleeder/drain valve shall be included. Large diameter port shall have corrosion resistant polymer bearing strip, and be available in threaded

or Storz connections (specify). Unit shall have a strap for carrying and dragging hose. Aluminum casting shall be hard coat anodized and silver TFT-powder coat finish inside and out for maximum corrosion protection. 4-way manifold shall have male thread on 2-1/2" valved ports and Siamese shall have female swivel threaded connections on 2-1/2" valved ports. Maximum operating pressure of the unit shall be 250 psi. An optional, adjustable pressure relief valve shall be available. The unit shall have a serial number and a 5-year warranty.

LDH Manifold, 5-Way - LDH by 2-1/2" - LDH 5-way manifold shall have stainless steel slow close, slow open slide valve on LDH waterway. Manifold shall have four (4) full 2-1/2" waterway valved ports with field replaceable valve seats, quarter turn color-coded valve handles with low force to move even under pressure up to 250 psi (17 bar) maximum operating pressure. Automatic valve lock on 2-1/2" valves keep their position while flowing at partial openings and shall be standard. Unit shall have four folding color coded valve handles to minimize storage space, or slow close valves with large knobs with valve position indicator (specify). Large diameter ports shall have corrosion resistant polymer bearing strip, and be available in Storz connections (specify). Unit shall have a carrying handle. Aluminum casting shall be hard coat anodized and silver TFT powder coat finish inside and out for maximum corrosion protection. Maximum operating pressure shall be 250 psi. Unit shall have pressure relief valve and protected pressure gauge. The unit shall have a serial number and a 5-year warranty.

Low Expansion Foam Attachment - Air aspirating nozzle foam attachment shall be constructed of corrosion resistant, high strength materials with stainless steel screen (except FJ-LX-M model) and components. Attachment shall attach to appropriate nozzle bumper with a locking mechanism. Unit shall have reflective labeling, engraved serial number, and be covered by a 5-year warranty.

Master Foam Series 250, 350, 500, and 750 gpm - Fixed gallonage combination fog, straight stream, self-educating, constant gallonage foam nozzle shall be available with a flow of 750, 500, 350, or 250 gpm@ 100 psi (specify) and user selectable foam proportioning ratios of 0.5%, 1%, 3%, or 6% utilizing included orifice disks. Nozzle shall be hard coat anodized aluminum alloy. Nozzle shall include an industrial grade UV resistant 1-1/2" concentrate pickup hose with cam lock connection to nozzle foam inlet. A UV resistant rubber bumper and halo ring for fog pattern adjustment shall be provided. 2-1/2" female inlet is standard and the nozzle shall accept the FJ-LX-M low expansion foam attachment. Nozzle shall have reflective labeling, laser engraved serial number and be covered by a 5-year warranty.

Master Foam 1000, 1250, 1500 and 2000 GPM Series - Fixed gallonage combination fog, straight stream, self-educating, constant gallonage foam nozzle shall be available with a flow of 1000, 1250, 1500, or 2000 gpm@ 100 psi (specify) and user selectable foam proportioning ratios of 0.5%, 1%, or 3% utilizing included orifice disks. Nozzle shall be hard coat anodized aluminum alloy. Nozzle shall include an industrial grade UV resistant concentrate pickup hose with cam lock connection to nozzle foam inlet. Metal fog teeth and handles for fog pattern adjustment shall be provided. 2-1/2" or 3-1/2" (specify) female inlet shall be provided. Nozzle shall have reflective labeling, laser engraved serial number and be covered by a 5-year warranty.

Master Foam ER 1000, 1250, 1500, and 2000 GPM Series - Fixed gallonage combination fog, straight stream, self-educating, constant gallonage foam nozzle shall be available with a flow of 1000, 1250, 1500, or 2000 gpm@ 100 psi (specify) and user selectable foam proportioning ratios of 1%, or 3% utilizing included orifice disks. Nozzle shall be hard coat anodized aluminum alloy. Nozzle shall include a 10' industrial grade UV resistant concentrate pickup hose with cam lock connections to nozzle foam inlet and foam supply. Nozzle shall have electrically operated pattern control for use on remote applications. The rugged, aluminum actuator shall be totally enclosed and waterproof. The actuator shall operate from 12-24 volts DC and draw 3 amps. A manual override knob shall be included. Water pattern shall adjust from straight stream to a wide fog and shall have metal fog teeth. 2-1/2" or 3-1/2" (specify) female inlet shall be provided. Nozzle shall have reflective labeling, laser engraved serial number and be covered by a 5-year warranty.

Master Stream 1000 Fixed Series - Fixed Gallonage combination fog and straight stream Master Stream nozzle with a fixed gallonage setting shall be provided. The nozzle shall be pre-set and laser marked at the factory to meet the customer's specified flow (up to 1000 gpm @ 100 psi). The extruded aluminum alloy body shall be hard coat anodized. Reflective labeling and a UV resistant front rubber bumper with molded fog teeth shall be standard. Operational halo ring shall be available. Nozzle shall provide variable pattern selection from straight stream to wide protective fog. Nozzle shall have laser engraved serial number and a 5-year warranty.

Master Stream 1000 Selectable Series - Selectable Gallonage combination fog and straight stream Master Stream nozzle with multiple constant gallonage settings of 250, 350, 500, 750, 1000 gpm @ 100 psi shall be provided. The extruded aluminum alloy body shall be hard coat anodized. Reflective labeling, and a UV resistant front rubber bumper

PRODUCT GROUP SPECIFICATIONS

with molded fog teeth shall be standard. Nozzle shall allow easy field flushing without tools and provide variable pattern selection from straight stream to wide protective fog. Nozzle shall have laser engraved serial number and a 5-year warranty.

Master Stream 1000 Selectable Flow with Flush Series - Selectable gallonage combination fog and straight stream Master Stream nozzle with selectable flow settings of 350, 500, 750, and 1000 at 100 psi shall be provided. A unique flow limiting function shall assure maximum stream performance at each gallonage selection setting. The extruded aluminum alloy body and bumper shall be hard coat anodized for corrosion resistance. Reflective labeling and aluminum bumper with fixed fog teeth to provide variable pattern selection from straight stream to wide dense fog pattern shall be standard. Nozzle shall allow easy field flushing by twisting the selector ring without shutting off the flow. Nozzle shall have laser engraved serial number and a 5-year warranty.

Master Stream 1000 Automatic Series - Constant pressure/variable gallonage automatic combination fog and straight stream Master Stream nozzle with an automatic pressure mechanism that maintains a constant pressure throughout the nozzle's flow range (150-1000 gpm) @ 100 psi shall be provided. The extruded aluminum alloy body shall be hard coat anodized. Reflective labeling and a UV resistant front rubber bumper with molded fog teeth shall be standard. Nozzle shall allow easy field flushing without tools and provide variable pattern selection from straight stream to wide protective fog. Electrically operated models shall be available (specify). Nozzle shall have laser engraved serial number and a 5-year warranty.

Master Stream 1000 Automatic with Flush Series - Constant pressure/variable gallonage automatic combination fog and straight stream Master Stream nozzle with an automatic pressure mechanism that maintains a constant pressure throughout the nozzle's flow range (300-1000 gpm) shall be provided. Large user adjustable pressure control knob shall allow nozzle pressure adjustment with tactile detent settings between 70-120 psi. At pressures other than 100 psi, maximum flow is determined by K-factor of 125. The extruded aluminum alloy body and bumper shall be hard coat anodized for corrosion resistance. Reflective labeling and aluminum bumper with fixed fog teeth to provide variable pattern selection from straight stream to wide dense fog pattern shall be standard. Nozzle shall allow easy field flushing by twisting the selector ring without shutting off the flow. Electrically operated models shall be available (specify). Nozzle shall have laser engraved serial number and a 5-year warranty.

Master Stream 1250 Small Body Automatic Series - Constant pressure/variable gallonage automatic combination fog and straight stream Master Stream nozzle with an automatic pressure mechanism that maintains a constant pressure throughout the nozzle's flow range (150-1250 gpm) @ 100 psi shall be provided. The extruded aluminum alloy body shall be hard coat anodized. Reflective labeling and a UV resistant front rubber bumper with molded fog teeth shall be standard. Nozzle shall allow easy field flushing without tools and provide variable pattern selection from straight stream to wide protective fog. Electrically operated models shall be available (specify). Nozzle shall have laser engraved serial number and a 5-year warranty.

Master Stream 1250 Automatic Series - Constant pressure/variable gallonage automatic combination fog and straight stream Master Stream nozzle with an automatic pressure mechanism that maintains a constant pressure throughout the nozzle's flow range (150-1250 gpm) shall be provided. User adjustable pressure control shall allow nozzle pressure adjustment of 70-120 psi. The extruded aluminum alloy body shall be hard coat anodized. Reflective labeling and a UV resistant front rubber bumper with molded fog teeth shall be standard. Nozzle shall allow easy field flushing without tools and provide variable pattern selection from straight stream to wide protective fog. Electrically operated models shall be available (specify). Nozzle shall have laser engraved serial number and a 5-year warranty.

Master Stream 1250 Fixed Flow with Flush Series - Fixed Gallonage combination fog and straight stream Master Stream nozzle with a fixed gallonage setting shall be provided. The nozzle shall be pre-set and laser marked at the factory to meet the customer's specified K-factor of 50-130. The extruded aluminum alloy body and bumper shall be hard coat anodized for corrosion resistance. Reflective labeling and aluminum bumper with fixed fog teeth to provide variable pattern selection from straight stream to wide dense fog pattern shall be standard. Nozzle shall allow easy field flushing by twisting the selector ring without shutting off the flow. Electrically operated models shall be available (specify). Nozzle shall have laser engraved serial number and a 5-year warranty.

Master Stream 1250 Selectable Flow with Flush Series - Selectable gallonage combination fog and straight stream Master Stream nozzle with selectable flow settings of 500, 750, 1000, and 1250 gpm at 100 psi shall be provided. A unique flow limiting function shall assure maximum stream performance at each gallonage selection setting. The extruded aluminum alloy body and bumper shall be hard coat anodized for corrosion resistance. Reflective labeling and aluminum bumper with fixed fog teeth to provide variable pattern selection from straight stream to wide dense fog pattern shall be standard.

Nozzle shall allow easy field flushing by twisting the selector ring without shutting off the flow. Nozzle shall have laser engraved serial number and a 5-year warranty.

Master Stream 1250 Automatic with Flush Series - Constant pressure/variable gallonage automatic combination fog and straight stream Master Stream nozzle with an automatic pressure mechanism that maintains a constant pressure throughout the nozzle's flow range (300-1250 gpm) shall be provided. Large user adjustable pressure control knob shall allow nozzle pressure adjustment with tactile detent settings between 70-120 psi. At pressures other than 100 psi, maximum flow is determined by K-factor of 125. The extruded aluminum alloy body and bumper shall be hard coat anodized for corrosion resistance. Reflective labeling and aluminum bumper with fixed fog teeth to provide variable pattern selection from straight stream to wide dense fog pattern shall be standard. Nozzle shall allow easy field flushing by twisting the selector ring without shutting off the flow. Electrically operated models shall be available (specify). Nozzle shall have laser engraved serial number and a 5-year warranty.

Master Stream 1500 Automatic Series - Constant pressure/variable gallonage automatic combination fog and straight stream Master Stream nozzle with an automatic pressure mechanism that maintains a constant pressure throughout the nozzle's flow range (300-1500 gpm) shall be provided. User adjustable pressure control shall allow nozzle pressure adjustment of 70-120 psi. The extruded aluminum alloy body shall be hard coat anodized. Reflective labeling and a UV resistant front rubber bumper with molded fog teeth shall be standard. Nozzle shall allow easy field flushing without tools and provide variable pattern selection from straight stream to wide protective fog. Electrically operated models shall be available (specify). Nozzle shall have laser engraved serial number and a 5-year warranty.

Master Stream 2000 Automatic Series - Constant pressure/variable gallonage automatic combination fog and straight stream Master Stream nozzle with an automatic pressure mechanism that maintains a constant pressure throughout the nozzle's flow range (300-2000 gpm) shall be provided. User adjustable pressure control shall allow nozzle pressure adjustment of 80-120 psi. The extruded aluminum alloy body shall be hard coat anodized. Reflective labeling and a UV resistant front rubber bumper with molded fog teeth shall be standard. Nozzle shall allow easy field flushing without tools and provide variable pattern selection from straight stream to wide protective fog. Electrically operated models shall be available (specify). Nozzle shall have laser engraved serial number and a 5-year warranty.

Master Stream 4000 ER Selectable Gallonage Series - Dual gallonage, fixed flow combination fog and straight stream Master Stream nozzle shall be provided. Flow settings shall be 2000 and 4000 gpm at 100 psi. User adjustable pressure control shall allow nozzle pressure adjustment of 80-120 psi. The extruded aluminum body shall be hard coat anodized. Reflective labeling and a machined aluminum hard coat anodized bumper without fog teeth shall be standard. Nozzle shall allow field flushing without tools. A crank shall provide variable pattern selection from straight stream to wide protective fog. Electrically operated pattern adjustment nozzle shall be available (specify). Nozzle shall have Task Force Tips Tsunami quick connect or 6" ANSI 150 flange inlet (specify). Nozzle shall have a laser engraved serial number and a 5-year warranty.

Master Stream 2500 & 5000 GPM Selectable Series - Selectable gallonage combination fog and straight stream Master Stream nozzle shall allow two user adjustable flow settings of 2500 gpm and 5000 gpm shall be provided. The extruded aluminum body shall be hard coat anodized. Reflective labeling and a large cast aluminum hard coat anodized bumper with fog teeth and folding handles shall be standard. Nozzle shall allow field flushing without tools and a variable pattern selection from straight stream to wide protective fog. Nozzle shall have a laser engraved serial number and a 5-year warranty.

Max-Force Automatic Series - Lightweight fog and straight stream nozzles with constant pressure/variable gallonage operation shall be provided. Nozzles shall have a molded rubber bumper with "power fog" teeth, detent flow control (hand-held models only). The nozzle shall have a dual pressure selector that allows for 100 psi or 55 psi pressure operation. The extruded aluminum alloy body shall be hard coat anodized and reflective labeling shall be standard. The nozzle shall have a full-time swivel inlet (hand-held models only), flush without shutting down and meet NFPA 1964. Color-coded, injection molded nylon pistol grips and valve handle covers shall be available (hand-held models only). Nozzle shall have laser engraved serial number and a 5-year warranty.

Max-Flow Fixed Gallonage Series - Lightweight fog and straight stream nozzles with fixed gallonage operation of 500 gpm @ 100 psi shall be provided. Nozzles shall have a molded rubber bumper with "power fog" teeth, detent flow control (hand-held models only). The extruded aluminum alloy body shall be hard coat anodized, and reflective labeling shall be standard. The nozzle shall have a full-time swivel inlet (hand-held models only), flush without shutting down and meet NFPA 1964. Color-coded injection molded nylon pistol grips and valve handle covers shall be available (hand-held models only). Nozzle shall have laser engraved serial number and a 5-year warranty.

Max-Matic Automatic Series - Lightweight fog and straight stream nozzles with constant pressure/variable gallonage operation of 100-500 gpm @ 100 psi or 100-500 gpm @ 80 psi (specify) shall be provided. Nozzles shall have a molded rubber bumper with "power fog" teeth, detent flow control (hand-held models only). The extruded aluminum alloy body shall be hard coat anodized, and reflective labeling shall be standard. The nozzle shall have a full-time swivel inlet (hand-held models only), flush without shutting down and meet NFPA 1964. Color-coded injection molded nylon pistol grips and valve handle covers shall be available (hand-held models only). Nozzle shall have laser engraved serial number and a 5-year warranty.

METRO 0 Series - Lightweight fog and straight stream nozzles with fixed gallonage setting (specify flow and pressure). Nozzles shall have a molded rubber bumper with "power fog" teeth, a stainless steel slide valve with detent flow control, (except tip-only models) and inlet debris screen. The extruded aluminum alloy body shall be hard coat anodized and reflective labeling shall be standard. The nozzle shall flush without shutting down. Color-coded, injection molded nylon pistol grip and valve handle covers shall be available (except tip-only models). Nozzle shall accept the FJ-U low expansion and FJ-UMX multi-expansion foam attachments. Nozzles shall have laser engraved serial number and a 5-year warranty.

METRO 0 Impulse With Trigger Valve System - Lightweight fog and straight stream nozzles with fixed gallonage setting (specify flow and pressure). Nozzles shall have a molded rubber bumper with "power fog" teeth, a stainless steel slide valve with trigger flow control with locking feature, and inlet debris screen. The extruded aluminum alloy body shall be hard coat anodized and reflective labeling shall be standard. The nozzle shall flush without shutting down. Nylon pistol grip with ribbed surface shall be standard. Nozzle shall accept the FJ-U low expansion and FJ-UMX multi-expansion foam attachments. Nozzles shall have laser engraved serial number and a 5-year warranty.

METRO 1 Series - Lightweight fog and straight stream nozzles with fixed gallonage setting (specify flow and pressure). Nozzles shall have a molded rubber bumper with "power fog" teeth or stainless steel spinning teeth (specify), a stainless steel slide valve with detent flow control, (except tip-only models) and inlet debris screen. The extruded aluminum alloy body shall be hard coat anodized and reflective labeling shall be standard. The nozzle shall flush without shutting down and meets the flow and performance criteria of NFPA 1964. Color-coded, injection molded nylon pistol grips and valve handle covers shall be available (except tip-only models). Nozzle shall accept the FJ-MX-HM multi-expansion and FJ-HM, FJ-LX-HM low-expansion foam attachments. Nozzle shall have laser engraved serial number and a 5-year warranty.

METRO 1 Impulse With Trigger Valve System - Lightweight fog and straight stream nozzles with fixed gallonage setting (specify flow and pressure). Nozzles shall have a molded rubber bumper with "power fog" teeth, a stainless steel slide valve with trigger flow control with locking feature, and inlet debris screen. The extruded aluminum alloy body shall be hard coat anodized and reflective labeling shall be standard. The nozzle shall flush without shutting down and meets the flow and performance criteria of NFPA 1964. Nylon pistol grip with ribbed surface shall be standard. Nozzle shall accept the FJ-HM and FJ-LX-HM low expansion and FJ-MX-HM multi-expansion foam attachments. Nozzles shall have laser engraved serial number and a 5-year warranty.

METRO 2 Series - Lightweight fog and straight stream nozzles with fixed gallonage setting (specify flow and pressure). Nozzles shall have a heavy duty nylon valve ball (except tip only models). Nozzles shall have a molded rubber bumper with "power fog" teeth. The extruded aluminum alloy body shall be hard coat anodized and reflective labeling shall be standard. The nozzle shall flush without shutting down and meets the flow and performance criteria of NFPA 1964. Color-coded, injection molded nylon pistol grips and valve handle covers shall be available (except tip-only models). Nozzle shall accept the FJ-HMX multi-expansion and FJ-H low-expansion foam attachments. Nozzle shall have laser engraved serial number and a 5-year warranty.

Mid-Force Series - Lightweight fog and straight stream nozzles with constant pressure/variable gallonage with a flow range of 70-200 gpm operation shall be provided. Nozzles shall have a molded rubber bumper with "power fog" teeth or stainless steel spinning teeth (specify), a stainless steel slide valve with detent flow control (except tip-only models), and inlet debris screen. The nozzle shall have a dual pressure selector that allows for 100 psi or 55 psi pressure operation or a low-pressure version that allows 75 psi or 45 psi pressure operation (specify). The extruded aluminum alloy body shall be hard coat anodized and reflective labeling shall be standard. The nozzle shall have a full-time swivel inlet (except tip-only models), flush without shutting down and meet NFPA 1964. Color-coded, injection molded nylon pistol grips and valve handle covers (except tip-only models) shall be available and nozzles shall accept the FJ-HM, FJ-LX-HM low and FJ-MX-HM multi-expansion foam attachments. Nozzle shall have laser engraved serial number and a 5-year warranty.

Mid-Force Impulse With Trigger Valve System - Lightweight fog and straight stream

nozzles with constant pressure/variable gallonage operation with a flow range of 70-200 gpm shall be provided. Nozzles shall have a molded rubber bumper with "power fog" teeth, a stainless steel slide valve with trigger flow control with locking feature, and inlet debris screen. The nozzle shall have a dual pressure selector that allows for 100 psi or 55 psi pressure operation, or a low-pressure version that allows 75 psi or 45 psi pressure operation (specify). The extruded aluminum alloy body shall be hard coat anodized and reflective labeling shall be standard. The nozzle shall flush without shutting down and meets the flow and performance criteria of NFPA 1964. Nylon pistol grip with ribbed surface shall be standard. Nozzle shall accept the FJ-HM, FJ-LX-HM low expansion and FJ-MX-HM multi-expansion foam attachments. Nozzles shall have laser engraved serial number and a 5-year warranty.

Mid-Matic Series - Lightweight fog and straight stream nozzles with constant pressure/variable gallonage operation with a flow range of 70-200 gpm @ 100 psi or 70-200 gpm @ 75 psi (specify) shall be provided. Nozzles shall have a molded rubber bumper with "power fog" teeth or stainless steel spinning teeth (specify), a stainless steel slide valve with detent flow control, (except tip-only models) and inlet debris screen. The extruded aluminum alloy body shall be hard coat anodized, and reflective labeling shall be standard. The nozzle shall have a full-time swivel inlet (except tip-only models), flush without shutting down and meet NFPA 1964. Color-coded, injection molded nylon pistol grips and valve handle covers (except tip-only models) shall be available. Nozzles shall accept the FJ-HM, FJ-LX-HM low and FJ-MX-HM multi-expansion foam attachments. Nozzle shall have laser engraved serial number and a 5-year warranty.

Mid-Matic Impulse With Trigger Valve System - Lightweight fog and straight stream nozzles with constant pressure/variable gallonage operation of 70-200 gpm @ 100 psi or 70-200 gpm @ 75 psi (specify) shall be provided. Nozzles shall have a molded rubber bumper with "power fog" teeth, a stainless steel slide valve with trigger flow control with locking feature, and inlet debris screen. The extruded aluminum alloy body shall be hard coat anodized and reflective labeling shall be standard. The nozzle shall flush without shutting down and meets the flow and performance criteria of NFPA 1964. Nylon pistol grip with ribbed surface shall be standard. Nozzle shall accept the FJ-HM, FJ-LX-HM low expansion and FJ-MX-HM multi-expansion foam attachments. Nozzles shall have laser engraved serial number and a 5-year warranty.

Monsoon® Monitor Series - Rated up to 2000 gpm, and 200 psi, the Monsoon is a manually operated fixed station or truck mounted monitor with manual control of rotation and elevation angle. The hand wheel shall provide elevation control from 90° above and 45° below horizontal through a segmented waterway with minimal waterway turning angles and built-in stream shaping vane. The unit shall have hand wheel operated 360° continuous rotational travel, stainless steel worm gear, or tiller bar rotation (specify), user installed travel limit stops. The monitor shall be hard coat anodized aluminum alloy and shall have a silver powder coat finish inside and out. Unit shall have serial number and be covered by a 5-year warranty.

Monsoon® RC Monitor Series - Rated up to 2000 gpm, and 200 psi, the Monsoon RC is a remotely controlled fixed station or truck mounted monitor with electric remote control of rotation, elevation angle and nozzle pattern. The unit shall have an electrically operated elevation control from 90° above and 45° below horizontal through a segmented waterway with minimal waterway turning angles and built-in stream shaping vane. The unit shall have an electrically operated 450° horizontal rotational travel, stainless steel worm gear, and user installed travel limit stops. User operation controls shall be mounted on the monitor, and shall include rotation, elevation, and nozzle stream pattern control programmable park and oscillate and two auxiliary controls. Optional remote wired, tethered and wireless remote controls shall be available. The monitor shall be hard coat anodized aluminum alloy and shall have a silver powder coat finish inside and out. Various flange and threaded inlets including locking quick connect shall be available (specify). Unit shall have serial number and be covered by a 5-year warranty.

Multi-Expansion Foam Attachment - Air aspirating nozzle foam attachment shall be constructed of corrosion resistant, high strength materials with stainless steel screen and components (except FJ-MX-MD model). Attachment shall attach to appropriate nozzle bumper with a locking mechanism. Unit shall have reflective labeling, engraved serial number, and be covered by a 5-year warranty.

Multiplex Interface Adapter - An inline multiplex interface adapter shall be provided. The adapter shall allow Task Force Tips RC monitors and Valve Under Monitors to communicate via CANbus signals on a J1939 system. The unit shall have waterproof Deutsch connectors for installation in TFT RC monitor and Valve Under Monitor cables. The adapter shall have two threaded studs for mounting. The unit shall have a 5-year warranty.

NY Stacked Smooth Bore Tips - Smooth bore tips shall be constructed of corrosion

PRODUCT GROUP SPECIFICATIONS

resistant, hard coat anodized aluminum alloy. Each tip shall be laser engraved with flow/pressure chart, and orifice size. Tip sizes shall be 15/16" and 1/2". Inlet shall be 1-1/2". Unit shall be covered by a 5-year warranty.

Oasis Under Monitor Series - The unit shall be constructed of corrosion resistant hard coat anodized aluminum alloy and have a red Powder Coated finish inside and out and shall have stainless steel components. The gear box mounted hand crank shall have a valve position indicator. An automatic clapper valve with position indicator shall be standard to allow water flow in the event of a booster pump failure for uninterrupted water flow. Large diameter inlets and outlets shall have corrosion resistant polymer bearing strip and shall be available in threaded or Storz connections (specify). Maximum operating pressure shall be 250 psi. Unit shall be available with TFT monitor connection or 4" ANSI flange (specify). Unit shall have a serial number and be covered by a 5-year warranty.

Pressure Relief Valve - TFT's Pressure Relief Valve shall be adjustable from 90 to 300 psi (6 to 21 bar) with easy to see increments of 90, 125, 150, 200, 250, and 300 psi. Each pressure relief valve shall include an OFF position. The pressure relief valve shall be NFPA 1901 compliant. The aluminum casting shall be hard coat anodized, and TFT-powder coat finished inside and out for maximum corrosion protection. The units shall be available to install on Darley, Waterous, or Hale bolt hole patterns for direct use on pump flanges. Housings shall be available with 2" male pipe thread, 2.5" male NH thread, or 2.5" Victaulic® connection on the discharge. The pressure relief valves shall be covered by a written 5-year warranty.

Protector Series Industrial Monitor - Rated up to 1250 gpm, the Protector is an industrial-type fixed station monitor. The unit shall have a patented waterway design with integral stream shaping vane to reduce friction loss and have an optional built-in on/off valve with position indicator (specify). The unit can be directly bolted to many common pipe flanges (specify flange size) and the outlet shall be available with 2-1/2" male threads. Threaded ports shall be provided for drain valve and pressure gauge installation and maximum operating pressure shall be 250 psi. The unit shall require no grease or other maintenance and swiveling elements and seals (including valve seat) shall be easily replaced. The Protector shall be hard coat anodized aluminum alloy. The monitor shall have a powder coat finish inside and out. Swivel clamps, 3" valve ball, and hardware shall be stainless steel. Unit shall have laser engraved serial number and a 5-year warranty.

QuadraCup® Selectable Gallonage Nozzle Series - Lightweight fog and straight stream nozzles with four constant gallonage settings of 30, 60, 95, and 125 gpm @ 100 psi. Nozzles shall have a retractable aluminum sleeve for foam aspiration, and shall be available with either stainless steel ball shut-off with quick-change polymer valve seat, or twist shut-off (tip-only models). Valve handle shall be produced from high strength molded nylon and shall be provided with positive open and close stops. The extruded aluminum alloy body and sleeve shall be hard coat anodized with stainless steel components, and reflective labeling shall be standard. The nozzle shall have a swivel inlet (except tip-only models), flush without shutting down and meet NFPA 1964. Color-coded, injection molded nylon pistol grips and valve handle covers shall be available (except tip-only models). Nozzle shall have laser engraved serial number and a 5-year warranty.

QuadraFog® DQ40 Selectable Gallonage Nozzle Series - Lightweight fog and straight stream nozzles with multiple constant gallonage settings. Nozzles shall have fixed fog teeth, a protective front bumper, and shall be available with either stainless steel ball shut-off and quick-change polymer valve seat, or twist shut-off. Valve handle shall be produced from high strength molded nylon and shall be provided with positive open and close stops. The extruded aluminum alloy body shall be hard coat anodized with stainless steel components, and reflective labeling shall be standard. The nozzle shall have a swivel inlet (except tip-only models), flush without shutting down and meet NFPA 1964. Color-coded, injection molded nylon pistol grips and valve handle covers shall be available (except tip-only models), and nozzles shall accept the low expansion and multi-expansion foam attachments. Nozzle shall have laser engraved serial number and a 5-year warranty.

QuadraFog® DQ60 Selectable Gallonage Nozzle Series - Lightweight fog and straight stream nozzles with multiple constant gallonage settings. Nozzles shall have fixed fog teeth, a protective front bumper, and shall be available with either stainless steel ball shut-off and quick-change polymer valve seat, or twist shut-off. Valve handle shall be produced from high strength molded nylon and shall be provided with positive open and close stops. The extruded aluminum alloy body shall be hard coat anodized with stainless steel components, and reflective labeling shall be standard. The nozzle shall have a swivel inlet (except tip-only models), flush without shutting down and meet NFPA 1964. Color-coded, injection molded nylon pistol grips and valve handle covers shall be available (except tip-only models), and nozzles shall accept the low expansion and multi-expansion foam attachments. Nozzle shall have laser engraved serial number and a 5-year warranty.

Quad Stacked Smooth Bore Tips 2-1/2" Inlet - Smooth bore tips shall be constructed of corrosion resistant, hard coat anodized aluminum alloy. Inlet shall be 2-1/2" swivel coupling. Each tip shall be laser engraved with flow/pressure chart, orifice size and thread size. Tip sizes shall be 2", 1.75", 1.5" and 1.375". Unit shall be covered by a 5-year warranty.

Quad Stacked Smooth Bore Tips 3-1/2" Inlet - Smooth bore tips shall be constructed of corrosion resistant, hard coat anodized aluminum alloy. Inlet shall be 3-1/2" swivel coupling with integral stream straightener. Each tip shall be laser engraved with flow/pressure chart, orifice size and thread size. Tip sizes shall be 2.75", 2.5", 2.25" and 2". Unit shall be covered by a 5-year warranty.

Quad Stacked Smooth Bore Tips for Tsunami - Smooth bore tips shall be constructed of corrosion resistant, hard coat anodized aluminum alloy. Inlet shall be proprietary nozzle connection for attachment for Tsunami Series monitors. The unit shall include an integral stream straightener. Each tip shall be laser engraved with flow/pressure chart and orifice size. Tip sizes shall be 5.125", 4.5", 4.0", and 3.5". Unit shall be covered by a 5-year warranty.

Quick Connect 90° Elbow - The quick connect elbow shall have a 4-1/2" female coupling for attachment to 4" F NPT, 4" ANSI 150 flange inlet adapter or to TFT VUM Valve Under Monitor with quick connect outlet (adapters and VUM sold separately). The unit shall be constructed of corrosion resistant, hard coat anodized aluminum alloy and have a silver powder coat finish inside and out. The unit shall have a large carrying handle, a boss for drilling and threading for a drain/bleeder or pressure gauge. Various threaded and Storz outlet connections shall be available (specify). The unit shall have a serial number and be covered by a 5-year warranty.

Quarter-Turn Hydrant Valve - The lightweight quarter-turn ball hydrant valve shall be configured with a 2-1/2" female rocker lug or long handle swivel inlet and 2-1/2" male rigid outlet. The unit shall have quarter-turn aluminum ball valve with full 2-1/2" waterway, and folding Nylon handle with auto-lock feature. A 3/4" NPT female plugged bleeder valve port shall be standard. For corrosion resistance the valve shall be hard coat anodized and shall have a durable silver powder coat interior and exterior finish. The unit shall be covered by a 5-year warranty.

Selectable Electric Remote Nozzle Series - Lightweight fog and straight stream nozzles with constant gallonage settings that may be infinitely adjusted from 15-120 gpm @ 100 psi. Nozzles shall have a molded rubber bumper with "power fog" teeth. The extruded aluminum alloy body shall be hard coat anodized and reflective labeling shall be standard. The nozzle shall flush without shutting down. The electric motor shall have a manual override. Nozzles shall accept the FJ-U low and FJ-UMX multi-expansion foam attachments. Standard nozzle inlet is 1-1/2" female swivel. Nozzle shall have laser engraved serial number and a 5-year warranty.

SHO-FLOW® 1 Bluetooth® Flow Meter - The inline flow meter with a flow range of 50-300 gpm (200-1150 l/min) shall be provided. The unit shall be self-powered and transmit a Bluetooth® signal to any Android or Apple smart device via Task Force Tips downloadable app and Bluetooth® signal. The unit shall be self-powered by means of an internal water turbine and shall require no batteries or wires to operate. The unit shall report flow in real time in gpm, gps, lpm, or lps and shall have a resettable totalizer feature. The unit shall have 1-1/2" female inlet and 1-1/2" male outlet. The flow meter shall have a 5-year warranty.

SHO-FLOW® 2 Bluetooth® Flow Meter - The inline flow meter with a flow range of 100-500 gpm (400-2000 l/min) or 250-1250 gpm (1000-4750 l/min) (specify) shall be provided. The unit shall be self-powered and transmit a Bluetooth® signal to any Android or Apple smart device via Task Force Tips downloadable app and Bluetooth® signal. The unit shall be self-powered by means of an internal water turbine and shall require no batteries or wires to operate. The unit shall report flow in real time in gpm, gps, lpm, or lps and shall have a resettable totalizer feature. The unit shall have 2-1/2" female inlet and 2-1/2" male outlet. The flow meter shall have a 5-year warranty.

Slow Close Hydrant Valve - The lightweight slow close high rise ball valve shall have an aluminum valve ball with full 2-1/2" waterway, and multi-turn, slow close knob with valve position indicator. Pressure gauge shall be liquid-filled, with pitot-type probe in waterway. 3/4" NPT female plugged bleeder valve port shall be standard. Aluminum casting shall be hard coat anodized, and silver TFT Powder Coat finished inside and out for maximum corrosion protection. Units shall be available in 2-1/2" female rocker lug or long handle swivel inlet (specify) and 2-1/2" rigid male outlet or pivoting male outlet (specify). The pivoting male outlet shall pivot ± 20° from center. Gauge shall have protective ring and lens cover shall be available in 0-200 psi or 0-300 psi (specify). Unit shall have a serial number and a 5-year warranty.

Slow Close High Rise Valve - The lightweight slow close high rise ball valve shall have an aluminum valve ball with full 2-1/2" waterway, and multi-turn, slow close knob with valve position indicator. Pressure gauge shall be liquid-filled, with pitot-type probe into the waterway. A 3/4" NPT female plugged bleeder valve port shall be standard. For corrosion resistance the valve shall be hard coat anodized and shall have a durable silver powder coat interior and exterior finish. Units shall be available in 2-1/2" female rocker lug or long handle swivel inlet (specify) and 2-1/2" rigid male outlet or pivoting male outlet (specify). The pivoting male outlet shall pivot $\pm 20^\circ$ from center. Gauge shall have protective ring and lens cover and be available in 0-200 psi or 0-300 psi (specify). Unit shall be covered by a 5-year warranty.

Smooth Bore Insert Set - Set shall include 7/8", 15/16", 1", and 1-1/8" orifice smooth bore inserts made of durable, polymer material and shall have orifice size laser engraved. Units shall be capable of being installed in the stainless steel ball of the 140 series ball valves and outlet waterway of the VIT series valves. Insert set shall be covered by a 5-year warranty.

Smooth Bore Tips 1" Inlet Set (Forestry) - Set of six interchangeable smooth bore tips shall be constructed of corrosion resistant, high strength nylon. One 1" hard coat anodized aluminum alloy coupling with rubber gasket shall be included. Smooth bore tips shall be marked with orifice size. Smooth bore tip set shall include one tip each of 1/8", 3/16", 1/4", 5/16", 3/8" and 7/16" orifice size. Units shall be covered by a 5-year warranty.

Smooth Bore Tip 1-1/2" Inlet - Smooth bore tips shall be constructed of corrosion resistant, hard coat anodized aluminum alloy. Smooth bore tips shall be laser engraved with orifice size and inlet thread size. 1.5" inlet is standard with a choice of 1/2", 5/8", 3/4", 7/8", 15/16", 1", 1-1/16", 1-1/8", 1-3/16", and 1-1/4" orifice sizes (specify). Unit shall be covered by a 5-year warranty.

Smooth Bore Slug Tip 1-1/2" Inlet & Outlet - Smooth bore slug tips shall be constructed of corrosion resistant, hard coat anodized aluminum alloy. Smooth bore tips shall be laser engraved with orifice size, flow and pressure chart, and inlet/outlet thread size. 1-1/2" inlet is standard with a choice of 7/8" or 15/16" orifice sizes (specify). A set screw for secure attachment to valve shall be included. Unit shall be covered by a 5-year warranty.

Suction Strainer (Barrel) - The strainer shall be made from molded nylon with hard anodized aluminum couplings with corrosion resistant nylon bearing strip. Strainer shall have large eye for rope attachment. Strainer shall have serial number and a 5-year warranty.

Suction Strainer (Low Level) - The strainer shall be made from hard anodized and powder coated aluminum alloy and stainless steel. Suction hose coupling shall be attached with corrosion resistant nylon bearing strip, allowing easy swiveling. A large clog-resistant stainless steel filter screen shall be standard and allow clearing without tools. Low level strainer shall be designed to allow suction from minimal depths with minimal friction loss. Suction hose coupling pivot shall have 45° range of motion. Optional jet siphon shall have 1-1/2" female multiple swiveling connection, and plug with lanyard attached (specify). A large carrying handle shall be standard. Strainer shall have serial number and a 5-year warranty.

Suction Strainer (Low Level/Floating) - The strainer shall be made from hard anodized and powder coated aluminum alloy and stainless steel. Suction hose coupling shall be attached with corrosion resistant nylon bearing strip, allowing easy swiveling. A large clog-resistant stainless steel filter screen shall be standard and allow clearing without tools. Low level strainer shall be designed to allow suction from minimal depths with the float attached, with minimal friction loss. The removable, high visibility yellow float shall be made from polyethylene and nest over the strainer body, allowing compact storage. Suction hose coupling pivot shall have 45° range of motion. Optional jet siphon shall have 1-1/2" female multiple swiveling connection, and plug with lanyard attached (specify). A large carrying handle shall be standard. Strainer shall have serial number and a 5-year warranty.

ThunderFog® Selectable Gallonage Nozzle Series - Lightweight fog and straight stream nozzles with multiple constant gallonage settings. Nozzles shall have fixed fog teeth or stainless steel spinning teeth (specify), a protective front bumper, and shall be available with either stainless steel ball shut-off and quick-change polymer valve seat, or twist shut-off. Valve handle shall be produced from high strength molded nylon and shall be provided with positive open and close stops. The extruded aluminum alloy body shall be hard coat anodized with stainless steel components, and reflective labeling shall be standard. The nozzle shall have a swivel inlet (except tip-only models), flush without shutting down and meet NFPA 1964. Color-coded, injection molded nylon pistol grips and handle covers shall be available (except tip-only models), and nozzles shall accept the FJ-MX-FT multi-expansion foam attachment. Nozzle shall have laser engraved serial number and a 5-year warranty.

Tornado® LT Monitor Series - Rated up to 500 gpm, the Tornado LT is a compact, remotely controlled truck mounted monitor with electric remote control of rotation and elevation angle and nozzle pattern. The electric motor shall provide elevation control from 90° above horizontal to 45° below horizontal. The unit shall have an electronically operated 370° horizontal rotational travel, user installed travel limit stops, stainless steel worm gear drive with manual override knobs, and shall have grease zerk fittings for easy service and lubrication. Waterproof electrical plugs are provided to connect to remote wired, and tethered remote controls. The discharge elbow shall include an integral stream straightener. The monitor shall be constructed of hard coat anodized aluminum alloy and shall have a silver powder coat finish inside and out. Various flange and threaded inlets shall be available (specify). Unit shall have serial number and a 5-year warranty.

Tornado® Monitor Series - Rated up to 500 gpm, the Tornado is a truck-mounted or fixed installation monitor. The tiller handle shall provide elevation control from 90° above horizontal to 45° below horizontal. The unit shall have a full 360° continuous horizontal rotation with locking knob. User installed travel limit stops shall be included. The monitor shall be constructed of hard coat anodized aluminum alloy and shall have a silver powder coat finish inside and out. Various flange and threaded inlets including locking quick connect shall be available (specify). Unit shall have serial number and a 5-year warranty.

Tornado® OSC Monitor Series - Rated up to 500 gpm, the Tornado OSC is a truck-mounted or fixed installation monitor. The monitor outlet shall have a user adjustable sweep pattern of 20°, 30°, or 40° automatic oscillating sweep pattern with manual override. The oscillating outlet component can be rotated to allow side to side, up and down, or any angle in between. An internal water-driven turbine shall power the oscillation without discharging water to the ground below the unit. The handwheels shall provide elevation control from 90° above horizontal to 45° below horizontal, and a full 360° continuous horizontal rotation. User installed travel limit stops shall be included. The monitor shall be constructed of hard coat anodized aluminum alloy and shall have a red powder coat finish inside and out. Various flange inlets shall be available (specify). Unit shall have serial number and a 5-year warranty.

Tornado® RC Monitor Series - Rated up to 500 gpm, the Tornado is a remotely controlled truck mounted monitor with electric remote control of rotation and elevation angle and nozzle pattern. The electric motor shall provide elevation control from 90° above horizontal to 45° below horizontal. The unit shall have an electronically operated 370° horizontal rotational travel, user installed travel limit stops, stainless steel worm gear drive with manual override knobs, and shall have grease zerk fittings for easy service and lubrication. User operation controls shall be mounted on the monitor, and shall include rotation, elevation, and nozzle stream pattern control programmable park and oscillate and two auxiliary controls. Optional remote wired, tethered and wireless remote controls shall be available. The discharge elbow shall include an integral stream straightener. The monitor shall be constructed of hard coat anodized aluminum alloy and shall have a silver powder coat finish inside and out. Various flange and threaded inlets including locking quick connect shall be available (specify). Unit shall have serial number and a 5-year warranty.

Triple Stacked Smooth Bore Tips 1-1/2" Inlet - Smooth bore tips shall be constructed of corrosion resistant, hard coat anodized aluminum alloy. Each tip shall be laser engraved with flow/pressure chart, orifice size and thread size. Tip sizes shall be 1.25", 1.125", and 1". Unit shall be covered by a 5-year warranty.

Triple Stacked Smooth Bore Tips 2-1/2" Inlet - Smooth bore tips shall be constructed of corrosion resistant, hard coat anodized aluminum alloy. Inlet shall be 2-1/2" swivel coupling. Each tip shall be laser engraved with flow/pressure chart, orifice size and thread size. Several tip sizes shall be available (specify). Unit shall be covered by a 5-year warranty.

Tsunami Monitor Series - Rated up to 8000 gpm, and 150 psi, the Tsunami is a manually operated fixed station or truck mounted monitor with manual control of rotation and elevation angle. The hand wheel shall provide elevation control from 90° above and 10° below horizontal through a segmented waterway with minimal waterway turning angles and built-in stream shaping vane. The unit shall have hand wheel operated 320° rotational travel, stainless steel worm gear rotation, user installed travel limit stops in 5° increments. The monitor shall be hard coat anodized aluminum alloy and shall have a silver or red (specify) powder coat finish inside and out. Unit shall have an 8" ANSI flange inlet and proprietary nozzle connection for easy nozzle installation. Unit shall have serial number and be covered by a 5-year warranty.

Tsunami RC Monitor Series - Rated up to 8000 gpm, and 150 psi, the Tsunami RC is a remotely controlled fixed station or truck mounted monitor with electric remote control of rotation, elevation angle and nozzle pattern. The unit shall have an electrically operated elevation control from 90° above and 10° below horizontal through a segmented waterway with minimal waterway turning angles and built-in stream shaping vane. The

PRODUCT GROUP SPECIFICATIONS

unit shall have an electrically operated 320° horizontal rotational travel, stainless steel worm gear, and user installed travel limit stops in 5° increments. User operation controls shall be mounted on the monitor, and shall include rotation, elevation, and nozzle stream pattern control programmable park and oscillate and two auxiliary controls. Optional remote wired, tethered and wireless remote controls shall be available. The monitor shall be hard coat anodized aluminum alloy and shall have a silver or red (specify) powder coat finish inside and out. Unit shall have an 8" ANSI flange inlet and proprietary nozzle connection for easy nozzle installation. Unit shall have serial number and be covered by a 5-year warranty.

Twister® Dual Gallonage Series - Lightweight fog and straight stream nozzles with dual gallonage settings shall be provided. Nozzles shall have fixed fog teeth, a protective front bumper, twist shut-off and shall be available with stainless steel ball shut-off and quick-change polymer valve seat. Valve handle shall be produced from high strength molded nylon and shall be provided with positive open and close stops. The extruded aluminum alloy body shall be hard coat anodized and reflective labeling shall be standard. Color-coded, injection molded nylon pistol grips and valve handle covers shall be available (except for tip only models) and nozzles shall accept the FJ-MX-D (1") and FJ-MX-F (1-1/2") multi-expansion foam attachment. Nozzle shall have laser engraved serial number and a 5-year warranty.

Typhoon Monitor Series - Rated up to 1500 gpm, and 200 psi, the Typhoon is a manually operated fixed station or truck mounted monitor with manual control of rotation and elevation angle. A handwheel or tiller handle with locking knob (specify) shall provide elevation control from 90° above to 45° below horizontal. A handwheel or tiller handle with locking knob (specify) shall provide 360° continuous horizontal rotation. User installed travel limit stops shall be included. The discharge elbow shall include an integral stream straightener. The monitor shall be constructed of hard coat anodized aluminum alloy and shall have a silver Powder Coat finish inside and out. Various flange and threaded inlets including locking quick connect shall be available (specify). Unit shall have serial number and a 5-year warranty.

Typhoon RC Monitor Series - Rated up to 1500 gpm, and 200 psi, the Typhoon RC is a remotely controlled fixed station or truck mounted monitor with electric remote control of horizontal rotation, elevation, and nozzle pattern. The unit shall have an electrically operated elevation control from 45° below horizontal up to a maximum of 45° past vertical for a total possible travel of 215° (specify). Unit shall have user installed elevation travel limit stops than can reduce the travel to 20° past vertical or less in 10° increments. The unit shall have an electrically operated 450° maximum horizontal travel, stainless steel worm gear, and user installed horizontal travel limit stops in 10° increments. Knobs shall be mounted on the vertical and horizontal drives for manual override. User operation controls shall be mounted on the monitor, and shall include rotation, elevation, and nozzle stream pattern control, programmable park and oscillate and two auxiliary controls. Optional remote wired, tethered, and wireless remote controls shall be available. The discharge elbow shall include an integral stream straightener. The monitor shall be constructed of hard coat anodized aluminum alloy and shall have a silver powder coat finish inside and out. Various flange and threaded inlets including locking quick connect shall be available (specify). Unit shall have serial number and a 5-year warranty.

Ultimatic Series - Lightweight fog and straight stream nozzles with constant pressure/variable gallonage operation of 10-125 gpm @ 100 psi or 10-100 gpm @ 75 psi (specify) shall be provided. Nozzles shall have a molded rubber bumper with "power fog" teeth, a stainless steel slide valve with detent flow control, (except tip-only models) and inlet debris screen. The extruded aluminum alloy body shall be hard coat anodized, and reflective labeling shall be standard. The nozzle shall have a full-time swivel inlet (except tip-only models) and the ability to flush without shutting down. Color-coded, injection molded nylon pistol grips and valve handle covers shall be available. Nozzles shall accept the FJ-U low and FJ-UMX multi-expansion foam attachments. Female inlets of 1" and 1-1/2" shall be available (specify). Nozzle shall have laser engraved serial number and a 5-year warranty.

Ultimatic Impulse With Trigger Valve System Series - Lightweight fog and straight stream nozzles with constant pressure/variable gallonage operation of 10-125 gpm @ 100 psi or 10-100 gpm @ 75 psi (specify) shall be provided. Nozzles shall have a molded rubber bumper with "power fog" teeth, a stainless steel slide valve with trigger flow control with locking feature, and inlet debris screen. The extruded aluminum alloy body shall be hard coat anodized and reflective labeling shall be standard. The nozzle shall flush without shutting down and meets the flow and performance criteria of NFPA 1964. Nylon pistol grip with ribbed surface shall be standard. Nozzle shall accept the FJ-U low expansion and FJ-UMX multi-expansion foam attachments. Nozzles shall have laser engraved serial number and a 5-year warranty.

VIT Valve Integral Tip Ball Valve Series With Inserts - Valve body shall be constructed of corrosion resistant, hard coat anodized extruded aluminum alloy. Lightweight valve with detent flow control shall include 7/8", 15/16", 1", and 1 1/8" orifice inserts made of durable, lightweight nylon material and shall have orifice size laser engraved. Discharge shall have 1-1/2" male thread for coupling to a combination nozzle. Internal waterway shall be 1.375". Color-coded, injection molded nylon pistol grips and valve handle covers shall be available. Rubber covered playpipe handles are available on 2-1/2" models. Nozzle shall have a full-time swivel 1-1/2" or 2-1/2" inlet (specify), laser engraved serial number, and a 5-year warranty.

VIT Valve Integral Tip Ball Valve Series - Valve body shall be constructed of corrosion resistant, hard coat anodized extruded aluminum alloy. Lightweight valve with detent flow control shall be available with 7/8", 15/16", 1", 1-1/8", 1-3/16", 1-1/4" or 1-3/8" orifice (specify). The unit shall have orifice size laser engraved. Discharge shall have 1-1/2" male thread with retractable outlet thread protector for coupling to a combination nozzle. Internal waterway shall be 1.375" with smooth taper to orifice. Color-coded, injection molded nylon pistol grips and valve handle covers shall be available. Nozzle shall have a full-time swivel 1-1/2" or 2-1/2" inlet (specify), laser engraved serial number, and a 5-year warranty.

Vortex Series - The Vortex is a manually operated stream dispersing device to be installed behind the smooth bore nozzles. The unit shall have six internal vanes that pivot proportionally from 0° to 30° by rotating the shaper. The vanes shall reduce turbulence when in the straight position, and create a spin in the water stream to create a uniformly dispersed vortex pattern when the vanes are pivoted. The vanes shall allow debris to flush from the nozzle. The unit shall be compatible with water and firefighting foam. The unit shall be hard coat anodized aluminum alloy and shall have reflective labeling to indicate vane position. Unit shall be available as tip only, with detent ball valve, or with detent ball valve and pistol grip (specify). 1-1/2" NH female rocker lug inlet and 1-1/2" NH male outlet are standard. Unit shall have serial number and be covered by a 5-year warranty.

Vortex 6 ER Series - Rated up to 8000 gpm, the Vortex 6ER is a remotely controlled stream dispersing device to be installed behind the Task Force Tips Tsunami stacked tip smooth bore nozzles. The unit shall have six internal vanes that pivot proportionally from 0° to 30° by the attached electric actuator. The vanes shall reduce turbulence when in the straight position, and create a spin in the water stream to create a uniformly dispersed vortex pattern when the vanes are pivoted. The vanes shall allow debris to flush from the nozzle. The electric actuator shall have a manual override knob. The unit shall be compatible with water and firefighting foam. The monitor shall be hard coat anodized aluminum alloy and shall have reflective labeling to indicate vane position. Unit shall have a 6" NH female rocker lug inlet and 6" NH male outlet. Unit shall have serial number and be covered by a 5-year warranty.

Vortex 2 Series - The Vortex 2 is a manually operated stream dispersing device to be installed behind the smooth bore nozzles. The flow rating shall be up to 1250 gpm. The unit shall have six internal vanes that pivot proportionally from 0° to 30° by rotating the shaper with the hand crank provided. The vanes shall reduce turbulence when in the straight position, and create a spin in the water stream to create a uniformly dispersed vortex pattern when the vanes are pivoted. The vanes shall allow debris to flush from the nozzle. The unit shall be compatible with water and firefighting foam. The unit shall be hard coat anodized aluminum alloy and shall have reflective labeling to indicate vane position. 2-1/2" NH female rocker lug inlet and 2-1/2" NH male outlet are standard. Unit shall have serial number and be covered by a 5-year warranty.

Vortex 2 ER Series - The Vortex 2ER is an electrically operated stream dispersing device to be installed behind smooth bore nozzles. The flow rating shall be up to 1250 gpm. The unit shall have six internal vanes that pivot proportionally from 0° to 30° by the attached electric actuator. The vanes shall reduce turbulence when in the straight position, and create a spin in the water stream to create a uniformly dispersed vortex pattern when the vanes are pivoted. The vanes shall allow debris to flush from the nozzle. The electric actuator shall have a manual override knob. The unit shall be compatible with water and firefighting foam. The unit shall be hard coat anodized aluminum alloy and shall have reflective labeling to indicate vane position. 2-1/2" NH female rocker lug inlet and 2-1/2" NH male outlet are standard. Unit shall have serial number and be covered by a 5-year warranty.

VUM Valve Under Monitor Series - Valve shall be designed for use under monitors and have low friction loss through its large, unobstructed waterway. Valve shall be constructed of hard coat anodized aluminum alloy and have silver TFT-powder coat finish inside and out for maximum corrosion protection. Hardware and half-ball valve section shall be stainless steel and shall control water flow at the base of the monitor. Valve inlet base shall be 4" ANSI 150 flange. Various outlets for monitor connection are available including 4" ANSI 150 flange; or straight or 22.5° forward angle for direct TFT monitor

connection eliminating one flange (specify). Monitor valve control shall be controlled by a compact gear box mounted hand crank or side handwheel (specify) that meets NFPA 1901 slow-close requirements have a valve position indicator, and handwheel shall be reversible from side to side and shall have shaft extensions available for improved clearance (specify). An optional automatic drain valve (specify) shall be available in the stainless steel half-ball section to assist in draining water after the incoming water pressure is shut off. Four (4) auxiliary ports shall allow installation of straight or elbow 2-1/2" valves, hose or pipe threaded fittings, pressure relief valves, and automatic drain valves (specify), to allow water flow through these connections when the primary monitor valve is opened, closed or in an intermediate position. Blind plugs shall be installed in the auxiliary ports when other connections are not installed. Elbow and straight 2-1/2" valves shall have field replaceable valve seats, quarter turn tee valve handles with low force to move even under pressure with up to 250 psi (17 bar) maximum operating pressure. Automatic valve lock on 2-1/2" valve keeps its position while flowing at partial openings and shall be standard. 2-1/2" elbow valves shall have the ability to allow swiveling up to 45° or to be locked in place and 2-3/4" or 4-3/4" long extensions shall be available where more clearance from the primary monitor valve is desired (specify). Elbow and straight valves shall include a 2-1/2" to 1-1/2" reducer with 1-1/2" cap with lanyard. The unit shall have a serial number and a 5-year warranty.

VUM Valve Under Monitor RC Series – Valve shall be designed for use under monitors and have low friction loss through its large, unobstructed waterway. Valve shall be constructed of hard coat anodized aluminum alloy and have silver TFT-powder coat finish inside and out for maximum corrosion protection. Hardware and half-ball valve section shall be stainless steel and shall control water flow at the base of the monitor. Valve inlet base shall be 4" ANSI 150 flange. Various outlets for monitor connection are available including 4" ANSI 150 flange; or straight or 22.5° forward angle for direct TFT monitor connection eliminating one flange (specify). Monitor valve control shall be controlled by an electric motor with manual override knob, manual valve position indicator, and shall meet NFPA 1901 slow-close requirements. The override knob shall be reversible from side to side and shall have shaft extensions available for improved clearance (specify). Electric control of the valve shall be by included control box which shall display open, closed, and intermediate valve positions. Control box and motor shall be waterproof. Electric control of the valve can be controlled from any TFT RC monitor control auxiliary 2 valve open/close button. An optional automatic drain valve (specify) shall be available in the stainless steel half-ball section to assist in draining water after the incoming water pressure is shut off. Four (4) auxiliary ports shall allow installation of straight or elbow 2-1/2" valves, hose or pipe threaded fittings, pressure relief valves, and automatic drain valves (specify), to allow water flow through these connections when the primary monitor valve is opened, closed or in an intermediate position. Blind plugs shall be installed in the auxiliary ports when other connections are not installed. Elbow and straight 2-1/2" valves shall have field replaceable valve seats, quarter turn valve tee handles with low force to move even under pressure with up to 250 psi (17 bar) maximum operating pressure. Automatic valve lock on 2-1/2" valve keeps its position while flowing at partial openings and shall be standard. 2-1/2" elbow valves shall have the ability to allow swiveling up to 45° or to be locked in place and 2-3/4" or 4-3/4" long extensions shall be available where more clearance from the primary monitor valve is desired (specify). Elbow and straight valves shall include a 2-1/2" to 1-1/2" reducer with 1-1/2" cap with lanyard. The unit shall have a serial number and a 5-year warranty.

Water Thief 2-1/2" by 1-1/2" - Water Thief shall have full 2-1/2" and 1-1/2" waterways, field replaceable valve seats, quarter turn color coded valve handles with low force to move even under pressure with up to 250 psi (17 bar) maximum operating pressure from either

side of the valves. Automatic valve lock on 2-1/2" valve keeps its position while flowing at partial openings and shall be standard. Special internal contour on 1-1/2" valves keeps them in position while flowing shall be standard. Units shall include three folding valve handles to minimize storage space, or slow close valves with large knobs with valve position indicator (specify). Pipe threaded port for pressure gauge shall be included. Unit shall have a carrying strap. Aluminum casting shall be hard coat anodized and silver TFT-powder coat finish inside and out for maximum corrosion protection. The unit shall have a serial number and a 5-year warranty.

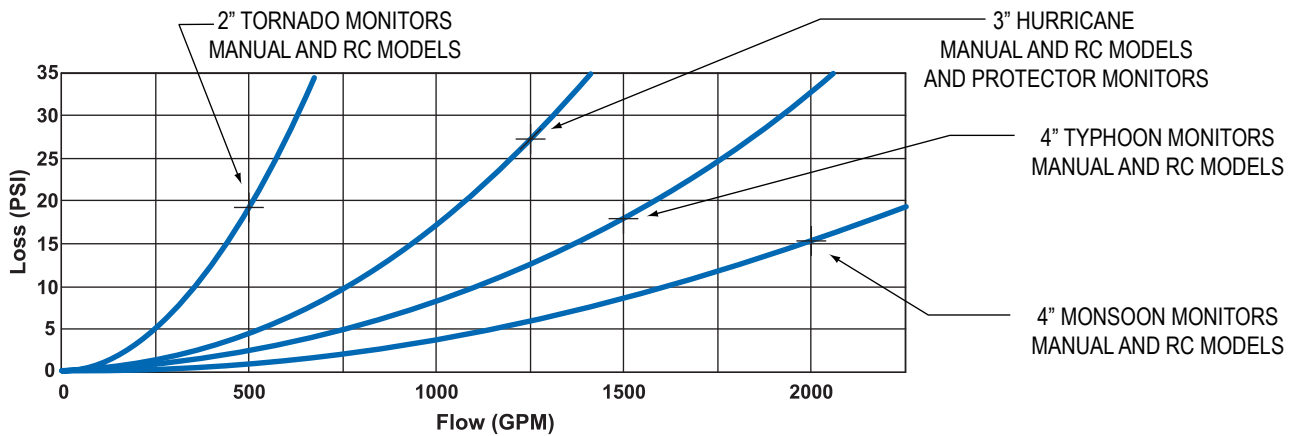
Water Thief and Siamese - LDH by 2-1/2" LDH Water Thief and Siamese shall have full 2-1/2" waterway valved ports with field replaceable valve seats, color coded quarter valve handles with low force to move even under pressure with up to 250 psi (17 bar) maximum operating pressure from either side of the valves. Automatic valve lock on 2-1/2" valves keep their position while flowing at partial openings and shall be standard. Units shall include two folding valve handles to minimize storage space, or slow close valves with large knobs with valve position indicator (specify). Large diameter inlet and outlet ports shall have full flow through, corrosion resistant polymer bearing strip, and be available in threaded or Storz connections (specify). Unit shall have a strap for carrying and dragging hose. Aluminum casting shall be hard coat anodized and silver TFT-powder coat finish inside and out for maximum corrosion protection. Water thief shall have male thread on 2-1/2" valved ports and Siamese shall have female swivel threaded connections on 2-1/2" valved ports. Maximum operating pressure of the unit shall be 250 psi. An optional, adjustable pressure relief valve shall be available. The unit shall have a serial number and a 5-year warranty.

ZM Industrial Fixed Gallonage Nozzle Series - A fixed gallonage adjustable straight stream/fog nozzle available with 500, 750, 1000, or 1250 gpm @100 psi, or user specified K-factor flow setting (specify) and 2-1/2" female inlet shall be provided. Nozzle shall be capable of flowing water or foam solution. Fog angle is user adjustable between 120° wide fog and straight stream. Unit's baffle shall be removable with a wrench for flushing debris. Unit requires no grease or other maintenance. The unit shall be hard coat anodized ANSI A356.0.T6 aluminum. Unit shall have reflective labeling, engraved serial number, and be covered by a 5-year warranty.

ZN Industrial Nozzle Series - A fixed gallonage fog nozzle rated at 100 psi is available with your choice of 350, 500 or 750 gpm. Fog angle is user adjustable between 120° wide fog and straight stream. Units baffle shall be removable with a wrench for flushing debris. Unit requires no grease or other maintenance. The stream shaper shall be made from non-corroding high temperature polymer. The rubber bumper shall be UV resistant. Unit shall be hard coat anodized ANSI A356.0.T6 aluminum. Unit shall have reflective labeling, engraved serial number, and be covered by a 5-year warranty.

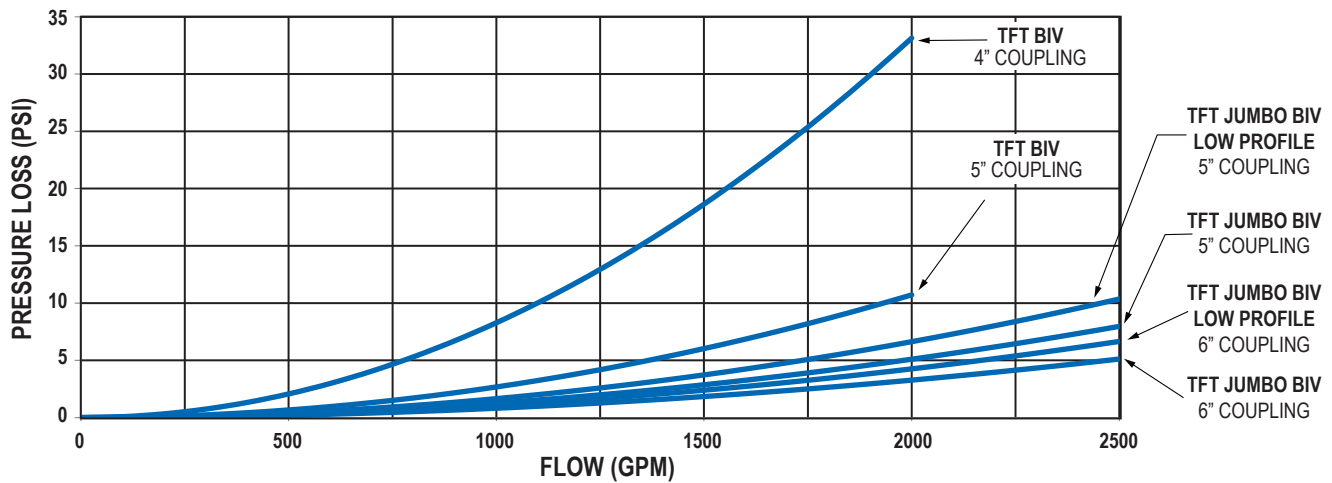
ZO Industrial Fixed Gallonage Nozzle Series - A fixed gallonage adjustable straight stream/fog nozzle available with 1250, 1500, 1750, 2000, or 2500 gpm @100 psi (specify). 3-1/2" female inlet shall be provided. Nozzle shall be capable of flowing water or foam solution. Fog angle is user adjustable between 120° wide fog and straight stream using folding handles to assist pattern change. A locking ring to set the nozzle pattern shall be standard. Unit's baffle shall be removable with a wrench for flushing debris. Unit requires no grease or other maintenance. The unit shall be hard coat anodized ANSI A356.0.T6 aluminum and shall be powder coated. Unit shall have reflective labeling, engraved serial number, and be covered by a 5-year warranty.

MONITOR PRESSURE LOSS



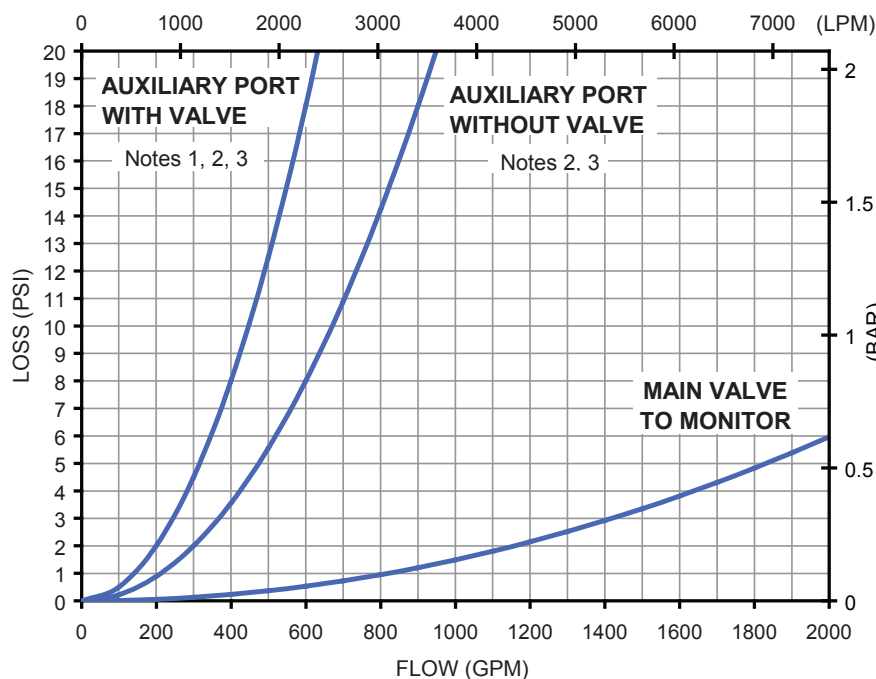
BIV PRESSURE LOSS

BIV PRESSURE LOSS



VUM PRESSURE LOSS

VALVE UNDER MONITOR PRESSURE LOSS



NOTES:

- 1) Curve represents auxiliary port options 2 and 3 (gated elbows). Pressure loss for auxiliary port option 4 (straight hydrant valve) is about 15% less than indicated.
- 2) When valve to monitor is open, pressure loss through auxiliary ports C3 and C4 may be up to 50% greater than indicated. Auxiliary ports C1 and C2 are not affected by this condition.
- 3) Extension pipes (auxiliary port options B through F) do not add significant pressure loss.

ITEM NUMBER	PAGE	ITEM NUMBER	PAGE	ITEM NUMBER	PAGE	ITEM NUMBER	PAGE
A02**	122	AB8NP-NT	76	AL12P2P1	114	AQ1SP-NX	94,96
A02HNT	122	ABS*.*	85	AL12T1T0	114	AQ1ST-NX	94
A02HNX	122	ABS*.*-PS	89	AL2*****	109	AQ1SX-NX	98
A03**	122	ABS1ST-NX-PS	88	AL2****0	109	AQ3ST-NX-PS	98
A03*-JET*	122	ABS1SX-NX	84	AL21T1T0	109	AR*****	118
A03HNR	122	ABS1-SX-NX-PS	88	AL22X2T0	109	AR1P1P1P1P	118
A03HNR-F	123	ACS*.*	87	AL26X1T1	109	AR-BRACKET	109,117-118
A03HNR-JET-F	123	ACS*.*-PS	91	AL3**1	115	ARS*****	118
A03SX	122-123	ACS1ST-NX	86	AL3**2	115	ARZA*****	207
A03SX-F	123	ACS1ST-NX-PS	90	AL31P1	115	ARZAQ2T2T	207
A03SX-JET	122-123	ACS1SX-NX-PS	90	AL31T0	115	AS2SP-NP	110
A03SX-JET-F	123	A-DISP	173	AL32T0	115	AS2SP-NR	110
A1082-CRK	209	AF5QNR-NP	208	AL4**1	116	AS2SP-NT	110
A1082-KIT	209	AF5QNR-NR	208	AL4**1	116	AS2SP-NX	110
A1410-KIT	209	AF5QNR-NT	208	AL41P0	116	AS2ST-NP	110
A1411-KIT	209	AF5QNR-NX	208	AL41T1	116	AS2ST-NR	110
A1520-CRK	209	AF9QNR-SP	208	AL5****0	114	AS2ST-NT	110
A1520-KIT	209	AF9QNR-ST	208	AL5****1	114	AS2ST-NX	110
A1621-KIT	105-108,209-210	AF9QNR-SX	208	AL51P1P0	114	AS2SX-NP	110
A1633-KIT	209	AKE11*****	184	AL51T1T0	114	AS2SX-NT	110
A1810	125	AKE111111D	184	AL51T1T1	114	AS2SX-NX	110
A1811	125	AKE112111D	184	AL5SP3P1	114	AS3SP-NP	110
A1812	125	AKE12*****	184	AL6*****	117	AS3SP-NR	110
A1813	125	AKE13*****	184	AL62T2T0M	117	AS3SP-NT	110
A1814	125	AKE131111D	184	AL7**0	115	AS3SP-NX	110
A1820	125	AKE14*****	185	AL7**0	115	AS3ST-NP	110
A1821	125	AKE141111D	185	AL71P0	115	AS3ST-NR	110
A1822	125	AKE1Q*****	185	AL71T0	115	AS3ST-NT	110
A1823	125	AKE1T*****	185	AL71T1	115	AS3ST-NX	110
A1824	125	AKE1T1111D	185	AL8**0	116	AS3SX-NP	110
A1830	125	AKE1V*****	185	AL8**1	116	AS3SX-NT	110
A1831	125	AKM11*****	180	AL81P0	116	AS3SX-NX	110
A1840	125	AKM111111D	180	AL81T0	116	AS4SP-SP	110
A1850	125	AKM12*****	180	AL81T1	116	AS4SP-ST	110
A1856	125	AKM121111D	180	AL82P1	116	AS4SP-SX	110
A1857	125	AKM13*****	180	AL9*****	117	AS4ST-SP	110
A1858	125	AKM131111D	180	AL91P1P0	117	AS4ST-ST	110
A1859	125	AKM14*****	181	AL92P2P0	117	AS4ST-SX	110
A1860	125	AKM141111D	181	AL92T2T3	117	AS4SX-SP	110
A1866	125	AKM1Q*****	181	AM-BAND-KIT	209	AS4SX-ST	110
A1867	125	AKM1Q1111D	181	AN****01	120	AS4SX-SX	110
A1868	125	AKM1T*****	181	AN****02	121	AS5NL-NP	111
A1869	125	AKM1T1111D	181	AN****31	120	AS5NL-NR	111
A1890NJ	209	AKM1V*****	181	AN****32	121	AS5NL-NT	111
A1891NJ	209	AKP11*****	182	AN1P1P01	120	AS5NL-NX	111
A4178-KIT	209	AKP111111D	182	AN1P1P02	121	AS5NN-NP	111
A4179-KIT	209	AKP12*****	182	AN1T1T02	121	AS5NN-NR	111
AA9FL-FP	199	AKP121111D	182	AN2P1P02	121	AS5NN-NT	111
AA9FP-FX	199	AKP13*****	182	AN2P2P01	120	AS5NN-NX	111
AA9NX-NP	76,78,84,86,88	AKP131111D	182	AN2T2T01	120	AS5NP-NP	111
AA9NX-NR	88,90,186,188,190	AKP14*****	183	AN2T2T31	120	AS5NP-NR	111
AB*.*	77	AKP141111D	183	AN3R3R32	120	AS5NP-NT	111
AB*.*-PS	79	AKP1Q*****	183	AN3T1T31	120	AS5NP-NX	111
AB*.*-RC	187	AKP1Q1111D	183	AN4P7P02	121	AS5NR-NP	111
AB1SP-NT	76	AKP1T*****	183	AP*.*	93	AS5NR-NR	111
AB1SP-NT-RC	186	AKP1T1111D	183	AP*.*-PS	97	AS5NR-NT	111
AB1ST-NT-PS	78	AKP1V*****	183	AP1SP-NX	92-95,98	AS5NR-NX	111
AB1ST-NX	76	AL1****0	114	AP1ST-NX-PS	96	AS5NT-NP	111
AB7HNX-NX-RC	186	AL1****1	114	AP1SX-NX	92	AS5NT-NR	111
AB7NP-NT-PS	79	AL11P1P0	114	AP1SX-NX-PS	96	AS5NT-NT	111
AB7NT-NX	76	AL11P1P1	114	AQ*.*	95		
AB7NT-NX-PS	78	AL11T1T0	114	AQ*.*-PS	99		

ITEM NUMBER INDEX

ITEM NUMBER	PAGE	ITEM NUMBER	PAGE	ITEM NUMBER	PAGE	ITEM NUMBER	PAGE
AS5NT-NX	111	AW2SP-NP	112	AW7NP-NR	113	AY5NR-NJ	105
AS7NL-NP	111	AW2SP-NR	112	AW7NP-NT	113	AY5NR-NJ-SC	107
AS7NL-NR	111	AW2SP-NT	112	AW7NP-NX	113	AY5NT-NJ	105
AS7NL-NT	111	AW2SP-NX	112	AW7NR-NP	113	AY5NT-NJ-SC	107
AS7NL-NX	111	AW2ST-NP	112	AW7NR-NR	113	AY7HNJ-NJ	106,108
AS7NN-NP	111	AW2ST-NR	112	AW7NR-NT	113	AY7HNJ-NJ-SC	108
AS7NN-NR	111	AW2ST-NT	112	AW7NR-NX	113	AY7HNP-NJ	106
AS7NN-NT	111	AW2ST-NX	112	AW7NT-NP	113	AY7HNP-NJ-SC	108
AS7NN-NX	111	AW2SX-NP	112	AW7NT-NR	113	AY7HNR-NJ	106
AS7NP-NP	111	AW2SX-NR	112	AW7NT-NT	113	AY7HNR-NJ-SC	108
AS7NP-NR	111	AW2SX-NT	112	AW7NT-NX	113	AY7HNT-NJ	106
AS7NP-NT	111	AW2SX-NX	112	AW9NL-SP	113	AY7HNT-NJ-SC	108
AS7NP-NX	111	AW3SP-NP	112	AW9NL-ST	113	AY7HNX-NJ	106
AS7NR-NP	111	AW3SP-NR	112	AW9NL-SX	113	AY7HNX-NJ-SC	108
AS7NR-NR	111	AW3SP-NT	112	AW9NN-SP	113	AY7NJ-NJ	106
AS7NR-NT	111	AW3SP-NX	112	AW9NN-ST	113	AY7NJ-NJ-SC	108
AS7NR-NX	111	AW3ST-NP	112	AW9NN-SX	113	AY7NP-NJ	106
AS7NT-NP	111	AW3ST-NR	112	AW9NP-SP	113	AY7NP-NJ-SC	108
AS7NT-NR	111	AW3ST-NT	112	AW9NP-ST	113	AY7NR-NJ	106
AS7NT-NT	111	AW3ST-NX	112	AW9NP-SX	113	AY7NR-NJ-SC	108
AS7NT-NX	111	AW3SX-NP	112	AW9NR-SP	113	AY7NT-NJ	106
AS9NJ-SP	111	AW3SX-NR	112	AW9NR-ST	113	AY7NT-NJ-SC	108
AS9NJ-ST	111	AW3SX-NT	112	AW9NR-SX	113	AY8SP-NJ	105
AS9NJ-SX	111	AW3SX-NX	112	AW9NT-SP	113	AY8SP-NJ-SC	107
AS9NL-SP	111	AW4SP-SP	112	AW9NT-ST	113	AY8ST-NJ	105
AS9NL-ST	111	AW4SP-ST	112	AW9NT-SX	113	AY8ST-NJ-SC	107
AS9NL-SX	111	AW4SP-SX	112	AX**	81	AY8SX-NJ	105
AS9NN-SP	111	AW4ST-SP	112	AX**-PS	83	AY8SX-NJ-SC	107
AS9NN-ST	111	AW4ST-ST	112	AX**-RC	189	AY9SP-NJ	106
AS9NN-SX	111	AW4ST-SX	112	AX1690-KIT	209	AY9SP-NJ-SC	108
AS9NP-SP	111	AW4SX-SP	112	AX1SP-NX	80	AY9ST-NJ	106
AS9NP-ST	111	AW4SX-ST	112	AX1SP-NX-PS	82-83	AY9ST-NJ-SC	108
AS9NP-SX	111	AW4SX-SX	112	AX1SP-NX-RC	188	AY9SX-NJ	106
AS9NR-SP	111	AW5NL-NP	113	AX1ST-NX	80	AY9SX-NJ-SC	108
AS9NR-ST	111	AW5NL-NR	113	AX1ST-NX-PS	82	AYG-NJ-NF	104
AS9NR-SX	111	AW5NL-NT	113	AX7HNX-NX	80	AYLND-ND	104
AS9NT-SP	111	AW5NL-NX	113	AX7HNX-NX-PS	82	AYLND-NF	104
AS9NT-ST	111	AW5NN-NP	113	AX7HNX-NX-RC	188	AYLNF-ND	104
AS9NT-SX	111	AW5NN-NR	113	AXD**.*	101	AYLNF-NF	104
ATIF-ID	104	AW5NN-NT	113	AXD**.*-RC	191	AYNJ-NF	104
ATIF-ND	104	AW5NN-NX	113	AXD1ST-NX-T	100	AYSND-ND	104
ATNF-ID	104	AW5NP-NP	113	AXD7HNX-NXRC	190	AYSNF-ND	104
ATNF-ND	104	AW5NP-NR	113	AXD7HNX-NX-T	100	AYSNF-NF	104
AU-BRACKET	109,117	AW5NP-NT	113	AXE**.*	101	AYSNJ-NF	104
AV5HNJ-NJ	102	AW5NP-NX	113	AXE**.*-RC	191	B880-KIT	209
AV5HNJ-NJ-SC	102	AW5NR-NP	113	AY175-KIT	105-108,210	B935-KIT	209
AV5NJ-NJ	102	AW5NR-NR	113	AY321-KIT	210	B950-KIT	209
AV5NJ-NJ-SC	102	AW5NR-NT	113	AY322-KIT	210	B955-KIT	209
AVGSC2FHNJNJ	103	AW5NR-NX	113	AY5HNJ-NJ	105,107	B960-KIT	209
AVGSC2SNJNJ	103	AW5NT-NP	113	AY5HNJ-NJ-SC	107	B-BGH	31-32
AVGSC2SNJNJ	103	AW5NT-NR	113	AY5HNP-NJ	105	B-BGT	33
AVGSC2SNJNJ	103	AW5NT-NT	113	AY5HNP-NJ-SC	107	B-BH	31
AVGSC3FHNJNJ	103	AW5NT-NX	113	AY5HNR-NJ	105	B-DC1040BC	42
AVGSC3FNJNJ	103	AW7NL-NP	113	AY5HNR-NJ-SC	107	B-DUAL	42
AVGSC3SHNJNJ	103	AW7NL-NR	113	AY5HNT-NJ	105	B-DUAL-ND	42
AVGSC3SNJNJ	103	AW7NL-NT	113	AY5HNT-NJ-SC	107	BGH-125	32
AVLND-ND	104	AW7NL-NX	113	AY5HNT-NJ-SC	107	BGHL-125	32
AVLNF-ND	104	AW7NN-NP	113	AY5HNX-NJ	105	BGT-125	33
AVLNF-NF	104	AW7NN-NR	113	AY5HNX-NJ-SC	107	BGT-125	33
AVSND-ND	104	AW7NN-NT	113	AY5NJ-NJ	105	BH-125	32
AVSNF-ND	104	AW7NN-NX	113	AY5NJ-NJ-SC	107	BH-BGT	33
AVSNF-NF	104	AW7NP-NP	113	AY5NP-NJ	105	BHL-125	32
				AY5NP-NJ-SC	107		

ITEM NUMBER	PAGE	ITEM NUMBER	PAGE	ITEM NUMBER	PAGE	ITEM NUMBER	PAGE
BL-BGH	31	F140SBI	13	FS2060BCP	46	HD-2VPG	41
BL-BGT	33	F15G200	55	FS2060P	9	HD-2VPGI	41
BL-BH	31	F15G300	55	FS2095	9	HDC-TO	48
BL-TO	31	F2060	9	FS2095BC	46	HDL-2BLITZ	41
BL-TO-ERP	126	F2060BC	46	FS2095BCP	46	HDL-2TO	41
BTFT-DC5	42	F2060BCER	126,142	FS2095P	9	HDL-2V	41
BTFT-DC5-ND	42	F2095	9	FS-3STACK	13	HDL-2VPG	41
B-TO	31	F2095BC	46	FS95BC	46	HDL-2VPGI	41
BTO-125	32	F2095BCER	126,142	FS95BCP	46	HDL-STO	40
B-TO-ER	126	F20-KIT	209	FSNYSTACK	13	HDL-TO	40
B-TO-ERP	126	F675-KIT	209	FSS10	13	HDL-V	40
B-TO-ERP-120	126	F675-UPGRADE	209	FSS11	13	HDL-VPG	40
B-TO-ERP-150	126	F685-KIT	209	FSS12	13	HDL-VPGI	40
BTOL-125	32	F95BC	46	FSS13-CAFS	48	HD-STO	40
B-TOS-ER	126	FF151	17	FSS3	13	HD-TO	40
B-TOS-ERP	126	FF152	17	FSS4	13	HD-V	40
C1024	8	FF153	17	FSS5	13	HD-VPG	40
C1040	8	FF154	17	FSS6	13	HD-VPGI	40
D100D	10	FF155	17	FSS7	13	H-GG	13
D100DP	10	FF156	17	FSS8	13	HK-TO	38
D1024	8	FF157	17	FSS9	13	HK-V	38
D1024BC	45	FJ-DQ	49	FT200F	29	HK-VPG	38
D1040	8	FJ-H	49	FT200LF	29	HK-VPGI	38
D1040BC	45	FJ-HM	49	FT200LS	29	HL-2BLITZ	39
D10-KIT	209	FJ-HMX	52	FT200S	29	HL-2TO	39
D285-KIT	209	FJ-LX-FQ	50	FT250F	29	HL-2V	39
D75D	10	FJ-LX-HM	50	FT250S	29	HL-2VPG	39
D75DP	10	FJ-LX-M2	50	FTJJ**	61	HL-2VPGI	39
D75DR	10	FJ-LX-M	50	FTJJ21	61	HL-TO	38
D75-HDL	209	FJ-LX-U	50	FTMJ**	61	H-LUBE-KIT	210
D75-HRK	209	FJ-MX-060-NF	48	FTMJ5A	61	HL-V	38
D75-KIT	209	FJ-MX-095-NF	48	FTS200F	29	HL-VPG	38
DQ40	26	FJ-MX-125-NF	48	FTS200LF	29	HL-VPGI	38
DQ60	27	FJ-MX-D	51	FTS200LPF	29	HM590-KIT	209
DQS40	26	FJ-MX-DQ	51	FTS200LPS	29	HM592-KIT	209
DQS40P	26	FJ-MX-F	51	FTS200LS	29	HM692BLK-KIT	210
DQS60	27	FJ-MX-FQ	51	FTS200PF	29	HM692BLU-KIT	210
DQS60P	27	FJ-MX-FT	52	FTS200PS	29	HM692GRN-KIT	210
DS1024	8	FJ-MX-HM	52	FTS200S	29	HM692GRY-KIT	210
DS1024BC	45	FJ-MX-MD	50	FTS250F	29	HM692ORG-KIT	210
DS1024BCP	45	FJ-U	49	FTS250PF	29	HM692PNK-KIT	210
DS1024P	8	FJ-UMX	52	FTS250PS	29	HM692PPL-KIT	210
DS1040	8	FQ125BC	47	FTS250S	29	HM692RED-KIT	210
DS1040BC	45	FQ125BCL	47	H-2BLITZ	39	HM692TAN-KIT	210
DS1040BCP	45	FQ125F	28	H-2PP	13	HM692WHT-KIT	210
DS1040P	8	FQ125LF	28	H-2TO	39	HM692YEL-KIT	210
DSB	13	FQ125LS	28	H-2V	39	HM792-KIT	42
EFF-NFNF300	55	FQ125S	28	H-2VO	12	HM792-DKIT	42
EFJ-NJNJ1250	55	FQS125BC	47	H-2VOI	12	HM792-FKIT	42
EFJ-NJNJ500	55	FQS125BCL	47	H-2VPG	39	HM792-FTKIT	42
F100F	10	FQS125BCP	47	H-2VPGI	39	HM792-GKIT	42
F100FP	10	FQS125BCPL	47	H-2VPP	13	HM792-HKIT	42
F100-HDL	209	FQS125F	28	H-3VOINJ-NJ	12	HM792-HMKIT	42
F100-HRK	209	FQS125LF	28	H-3VONJ-NJ	12	HM792-JKIT	42
F100-KIT	209	FQS125LPF	28	H880-KIT	209	HM792-UKIT	42
F125F	11	FQS125LPS	28	H960-KIT	209	HM840-75-KIT	209
F125FP	11	FQS125LS	28	H994I-KIT	209	HM840-KIT	209
F140F	11	FQS125PF	28	H994N-KIT	209	HM880-KIT	209
F140FP	11	FQS125PS	28	HD-1BLITZ	40	HM925BLK-KIT	210
F140-HDL	209	FQS125S	28	HD-2BLITZ	41	HM925BLU-KIT	210
F140-HRK	209	FS2060	9	HD-2TO	41	HM950-KIT	209
F140-KIT	209	FS2060BC	46	HD-2V	41	HM960-KIT	209

ITEM NUMBER INDEX

ITEM NUMBER	PAGE	ITEM NUMBER	PAGE	ITEM NUMBER	PAGE	ITEM NUMBER	PAGE
HM997I-KIT	209	HPM-32	65	J25G300S	55	M-ER2000-NN	135
HM997N-KIT	209	HPM-42	65	JET-ELBOWKIT	209	M-ER2000-NP	135
HMD830-75KIT	209	HPM-52	65	JET-NF-KIT	209	MERFP1000-NJ	130
HMD830-KIT	209	HPM-62	65	JSS10	60	MERFP1000-NL	130
HMD840-KIT	209	HPM-A	66	JSS11	60	MERFP1000-NN	130
HMDC-TO	48	HPM-B	68	JSS13-CAFS	48	M-ERP1000-NJ	130
HMDC-TO-ERP	127	HPM-C	68	JSST10	60	M-ERP1000-NL	130
HMDL-STO	36	HPM-D	68	JSST11	60	M-ERP1000-NL	130
HMDL-STOS	36	HPM-E	68	JT250F	30	M-ERP1000-NN	130
HMDL-TO	36	HPM-F	66	JT250S	30	M-ERP1250-NJ	131
HMDL-TOS	36	HPM-G	66	JTS250F	30	M-ERP1250-NL	131
HMDL-TPGI	37	HPM-H	66	JTS250PF	30	M-ERP1250-NN	131
HMDL-TPGIS	37	HPM-J	67	JTS250PPF	30	M-ERP1250-NP	131
HMDL-V	36	HPM-K	67	JTS250PPS	30	M-ERP1250SNJ	131
HMDL-VPGI	36	HPM-L	67	JTS250PS	30	M-ERP1250SNL	131
HMDL-VPGIS	36	HPM-M	67	JTS250S	30	M-ERP1250SNN	131
HMDL-VS	36	HPM-N	68	MD12A	60	M-ERP1500-NJ	134
HMD-STO	36	H-SS	13	MD14A	60	M-ERP1500-NL	134
HMD-STOS	36	H-SS-NJ	13	MD17A	60	M-ERP1500-NN	134
HMD-TO	36	H-TO	38	MD18A	60	M-ERP1500-NP	134
HMD-TO-ER	126	H-V	38	MD-ER**A	128	M-ERP2000-NL	135
HMD-TO-ERP	126	HVIT1*	14	MD-ER-12A	128	M-ERP2000-NN	135
HMD-TOS	36	HVIT11	14	MD-ER-14A	128	M-ERP2000-NP	135
HMD-TPGI	37	HVIT1-KIT	210	MD-ER-18A	128	M-ERS1000-NJ	130
HMD-TPGIS	37	HVIT2*	14	MD-ERP**A	128	MERSP1000-NJ	130
HMD-V	36	HVIT21	14	MD-ERP-12A	128	MERSP1000-NL	130
HMD-VPGI	36	HVIT2-KIT	210	MD-ERP-14A	128	MERSP1000-NN	130
HMD-VPGIS	36	HVIT3-KIT	210	MD-ERP-18A	128	M-FA1000-NJ	132
HMD-VS	36	HVIT4-KIT	210	ME0-***	18	M-FA1000-NL	132
HMK-STO	34	HVIT5-KIT	210	ME0-TPGI-***	19	M-FA1000-NN	132
HMK-STOS	34	HVIT6-KIT	210	ME0-V	18	M-FA1250-NJ	132
HMK-TO	34	HVIT7-KIT	210	ME0-VPGI	18	M-FA1250-NL	132
HMK-TOS	34	HVIT8-KIT	210	ME0VPGI-***	18	M-FA1250-NN	132
HMK-TPGI	35	HVITG1*	14	ME1-STO	21	M-FAEP1000NJ	133
HMK-TPGIS	35	HVITG11	14	ME1-TGPI	22	M-FAEP1000NL	133
HMK-V	34	HVITG2*	14	ME1-TO-***	20	M-FAEP1000NN	133
HMK-VPGI	34	HVITG21	14	ME1TOE***	127	M-FAEP1250NJ	133
HMK-VPGIS	34	HVITG21-01	14	ME1TOERP**	127	M-FAEP1250NL	133
HMK-VS	34	H-VO	11	ME1-TOS-***	20	M-FAEP1250NN	133
HML-STO	34	H-VOI	11	mE1TOSE***	127	M-FAER1000NJ	133
HML-STOS	34	H-VPG	38	ME1TOSERP***	127	M-FAER1000NL	133
HML-TO	34	H-VPGI	38	ME1-TPGI-***	22	M-FAER1000NN	133
HML-TOS	34	HX-100-KIT	209	ME1-V	21	M-FAER1250NJ	133
HML-TPGI	35	HX-55-KIT	209	ME1-VPGI-***	21	M-FAER1250NL	133
HML-TPGIS	35	HX-75-KIT	209	ME1VPGIS-***	21	M-FAER1250NN	133
HML-V	34	HX840-75-KIT	209	ME1VS-***	21	M-FF1250-NJ	132
HML-VPGI	34	HX840-KIT	209	ME2-2TO-***	24	M-FF1250-NL	132
HML-VPGIS	34	HX950-KIT	209	ME2-2V-***	24	M-FF1250-NN	132
HML-VS	34	HXD-100-KIT	209	ME2-2VPGI-***	24	M-FFEP1250NJ	133
HM-STO	34	HXD-75-KIT	209	ME2-BLITZ-***	24	M-FFEP1250NL	133
HM-STOS	34	HXD830-75KIT	209	ME2-TO-***	23	M-FFEP1250NN	133
HM-TO	34	HXD830-KIT	209	ME2-V-***	23	M-FFER1250NJ	133
HM-TO-ER	126	HXD840-KIT	209	ME2-VPGI-***	23	M-FFER1250NL	133
HM-TO-ERP	126	HXDL840-KIT	209	M-ER1000-NJ	130	M-FFER1250NN	133
HM-TOS	34	J140F	12	M-ER1250-NN	131	M-FS1000-NJ	132
HM-TPGI	35	J140FP	12	M-ER1250S-NJ	131	M-FS1000-NL	132
HM-TPGIS	35	J140-HRK	209	M-ER1500-NJ	134	M-FS1000-NN	132
HM-V	34	J140J	12	M-ER1500-NL	134	M-FS1250-NJ	132
HM-VPGI	34	J140JP	12	M-ER1500-NP	134	M-FS1250-NL	132
HM-VPGIS	34	J25G200F	55	M-ER1500-NN	134	M-FS1250-NN	132
HM-VS	34	J25G200S	55	M-ER1500-NP	134	M-R1000-NJ	129
HPM111A	64	J25G300F	55	M-ER2000-NJ	135	M-R1000-NL	129
				M-ER2000-NL	135		

ITEM NUMBER	PAGE	ITEM NUMBER	PAGE	ITEM NUMBER	PAGE	ITEM NUMBER	PAGE
M-R1000-NN	129	UE-250-NJ	44	XFL-1ST	71	XXC-43	57,62
M-R1250-NJ	129	UE-350L-NJ	44	XFL-2NJ	71	XXC-43-HE	59,63
M-R1250-NL	129	UE-350-NJ	44	XF-SS10		XXC-43NB	57
M-R1250-NN	129	UE950	44	XF-SS10-NN	73	XXC-52	56,62
M-R1250-NP	129	UE960-KIT	53,210	XF-SS5	73	XXC-52-HE	58,63
M-R1250S-NJ	129	VSA-101	210	XF-SS5-NN	73	XXC-52-HENB	59
M-R1250S-NL	129	VSA-110	210	XFT-NJ	70	XXC-52NB	58
M-R1250S-NN	129	VSA-112	210	XG12PL-PL	137	XXC-53	57,62
M-R1500-NJ	134	WT5HNJ-NJ-NF	102	XG12PL-RL	137	XXC-53-HE	59,63
M-R1500-NL	134	WT5NJ-NJ-NF	102	XG12PL-XL	137	XXC-53NB	57
M-R1500-NN	134	X455-KIT	210	XG12VL-PL	137	XX-OSC**	196
M-R1500-NP	134	XF400-KIT	73,210	XG12VL-RL	137	XX-OSC-AA	196
M-R2000-NJ	135	XFAN-1NL	70-71	XG12VL-XL	137	XX-STRAP-KIT	210
M-R2000-NL	135	XFAN-1NN	71	XG18PL-PL	137	Y1C-71	142
M-R2000-NN	135	XFAN-1NP	71	XG18PL-RL	137	Y1E**A	142
M-R2000-NP	135	XFAN-1NR	71	XG18PL-XL	137	Y1-E**A	141
M-RF1000-NJ	129	XFAN-1SP	71	XG18VL-PL	137	Y1-E31A	141
M-RF1000-NL	129	XFAN-1ST	71	XG18VL-RL	137	Y2-E**A*	146
M-RF1000-NN	129	XF-B	73	XG18VL-XL	137	Y2-E**A-A	194
M-RS1000-NJ	129	XFC-12	71	XG18XL-XL	72	Y2-E**A-LT	144
M-RS1000-NL	129	XFC-32	71,74	XG840-KIT	209	Y2-E11A	144,146
M-RS1000-NN	129	XFC-32NB	71	XGA32BL-RL	138	Y2-E11A-A	194
MST-2NJ	60	XFC-42	71,74	XGA32PL-RL	138	Y2-E33A-LT	144
MST-3NJ	60	XFC-42NB	71	XGA32VL-RL	138	Y2-S**A	197
MST-4NJ	73	XFC-52	71,74	XGA38BL-RL	138	Y2-SF1A	197
MST-4NN	73	XFC-52NB	71	XGA38PL-RL	138	Y2-T**A	147
MST-5NJ	60	XFC-62	176	XGA38VL-RL	138	Y2-T11A	147
MST-6NJ	60	XFC-63	177	XGA48BP-RP	139	Y4-E**A*	159
P116-KIT	210	XFC-71	174	XGA48PP-RP	139	Y4-E**A*	158
P690-KIT	210	XFC-72	174	XGA48VP-RP	139	Y4-E**A-A	194
P920-KIT	209	XFC-73	175	XGA840-KIT	209	Y4-E11A	162
SVFG	16	XFF-APL	72	XGA841-KIT	209	Y4-E11A-A	194
SVFT	16	XFF-CPL	72	XGA-RP	171	Y4-E21A-L	162-163
SVFV	16	XFF-CPP	72	XGB-13	137	Y4-E25A	158
SVJE-NJNJ	136	XFF-MPL	72	XGB-23	137	Y4-E25A-L	159
SVJ-NJNJ	136	XFF-MPP	72	XGB-33	137	Y4E-COMM	173
SVXE	166	XFF-RLF	72	XGB-43	139	Y4E-CT-10	170
TETHER01-KIT	210	XFH-1NL	70-71	XGB-53	139	Y4E-CT-100	170
THA401	209	XFH-1NN	71	XGE690-KIT	209	Y4E-CT-100-D	170
THA406-KIT	209	XFH-1NP	71	XGE695-KIT	209	Y4E-CT-10-D	170
TN691BLK-KIT	210	XFH-1NR	71	XX**	196	Y4E-CT-30	170
TN691BLU-KIT	210	XFH-1SP	71	XX111A	56	Y4E-CT-30-D	170
TN691GRN-KIT	210	XFH-1ST	71	XX111A-HE	58	Y4E-DISP	173
TN691GRY-KIT	210	XFH-1SX	71	XX211A	57	Y4E-JS	172
TN691ORG-KIT	210	XFH-2NJ	71	XX211A-HE	59	Y4E-JS-51	172
TN691PNK-KIT	210	XFIE-FLNJ	149	XX482-KIT	210	Y4E-JS-52	172
TN691PPL-KIT	210	XFIE-FPNJ	149	XX830-KIT	210	Y4E-JS-GT	172
TN691RED-KIT	210	XFI-FLNJ	149	XX910-KIT	210	Y4E-JS-GT-NP	172
TN691TAN-KIT	210	XFI-FPNJ	149	XX-AA	196	Y4E-JS-GT-R	172
TN691WHT-KIT	210	XFIH-D**A*	150	XX-B	60	Y4E-RP	170
TN691YEL-KIT	210	XFIH-DP1A	150	XXC-32	56	Y4E-RP-D	170
U230-KIT	210	XFIH-E**A*	151	XXC-32-HE	58,63	Y4E-TS	173
UE-060-NF	43	XFIH-E**A-A	194	XXC-32-HENB	58	Y4-M**A*	157
UE-060-NF-01	43	XFIH-E11A	151	XXC-32NB	56	Y4-M11A	161
UE-060-NJ-NF	43	XFIH-E11A-A	194	XXC-33	57,62	Y4-M15A	157
UE-095-NF	43	XFIH-T**A*	150	XXC-33-HE	59,63	Y4-T**A*	157
UE-095-NF-01	43	XFI-PLNJ	149	XXC-33-HENB	59	Y4-T11A	161
UE-095-NJ-NF	43	XFL-1NL	70-71	XXC-33NB	57	Y4-T15A	157
UE-125-NF	43	XFL-1NN	71	XXC-42	56,62	Y5-D**A*	153
UE-125-NF-01	43	XFL-1NP	71	XXC-42-HE	58,63	Y5-D11A	153
UE-125-NJ-NF	43	XFL-1NR	71	XXC-42-HENB	59	Y5-E**A*	154
UE-250L-NJ	44	XFL-1SP	71	XXC-42NB	58	Y5-E**A*	155

ITEM NUMBER INDEX

ITEM NUMBER	PAGE	ITEM NUMBER	PAGE	ITEM NUMBER	PAGE	ITEM NUMBER	PAGE
Y5-E**A-A	194	YE-RF-900	171	ZAA**	198	ZCH1T-OSC	205
Y5-E11A	153	YE-RF-900-D	171	ZAAD1	199	ZM**1	198
Y5-E11A-L	155	YE-RF-RAD-24	171	ZAADX	199	ZM111	198
Y5-E21A	154	YE-RF-RAD-9	171	ZAS**	198	ZM131	198
Y5-E21A-A	194	YE-VKG-PD	169	ZASZQ	199	ZMF10A	53
Y5-E21A-L	155	YE-VKG-PF	169	ZASZX	199	ZMF14	53-54
Y5-M**A*	153	YE-VKG-PH	169	ZBA*****	202	ZMF14-ER	54
Y5-M11A	153	YE-VKG-PL	169	ZBAD01X00	202	ZMF14-ERP	54
Y5-T**A*	153	YE-VK-PF	168-169	ZCF****	204	ZMF15-ER	54
Y5-T11A	153	YE-VK-PH	168-169	ZCF**3	204	ZMF15-ERP	54
Y8-E11A	165	YE-VK-PJ	168	ZCF**-OSC	205	ZMF16	53
Y8-M11A	164	YE-VK-PL	168	ZCF1P1	204	ZMF16-ER	54
YE-BT1	142,171	YE-VK-PL-24V	168	ZCF1P3	204	ZMF16-ERP	54
YE-CAN1	172	YQC-FP	208	ZCF1T-OSC	205	ZMF17	53
YE-CAN2	172	YQC-RLF	208	ZCG****	204	ZMF17-ER	54
YE-ETHER	172	YQC-RPF	208	ZCG**-OSC	205	ZMF17-ERP	54
YE-ETH-PLC	172	YQC-TP	208	ZCG1P1	204	ZN**A	198
YE-ETH-WIFI	172	YST-4NN	135	ZCG1T3	204	ZN10A	198
YE-LK12-KIT	173	YST-8NX	166	ZCH****	204	ZN11A	198
YE-LK24-KIT	173	Z11**A	198	ZCH**3	204	ZO**	198
YE-RECEP-4	171	Z1111A	195	ZCH**-OSC	205	ZO11	198
YE-REMAUX	173	Z12**A	198	ZCH1P-OSC	205	ZO12	198
YE-RF-2400	171	Z1211A	195	ZCH1PT	204	ZO13	198
YE-RF-2400-D	171	Z625A	53	ZCH1T3	204		

STATEMENT OF WARRANTY AND REPAIR

Task Force Tips LLC, 3701 Innovation Way, Valparaiso, Indiana 46383-9327 USA (“TFT”) warrants to the original purchaser of its nozzles and other equipment (“equipment”), and to anyone to whom it is transferred, that the equipment shall be free from defects in material and workmanship. The warranty period on most products is five (5) years from the date of manufacture. Select items have either a one (1) year or ten (10) year warranty. See TFT operations manual for details.

TFT’s obligation under this warranty is specifically limited to replacing or repairing the equipment (or its parts) which are shown by TFT’s examination to be in a defective condition attributable to TFT. To qualify for this limited warranty, the claimant must return the equipment to TFT, at 3701 Innovation Way, Valparaiso, Indiana 46383-9327 USA, within a reasonable time after discovery of the defect. TFT will examine the equipment. If TFT determines that there is a defect attributable to it, TFT will correct the problem within a reasonable time. If the equipment is covered by this limited warranty, TFT will assume the expenses of repair.

If any defect attributable to TFT under this limited warranty cannot be reasonably cured by repair or replacement, TFT may elect to refund the purchase price of the equipment, less reasonable depreciation, in complete discharge of its obligations under this limited warranty. If TFT makes this election, claimant shall return the equipment to TFT free and clear of any liens and encumbrances.

This is a limited warranty. The original purchaser of the equipment, any person to whom it is transferred, and any person who is an intended or unintended beneficiary of the equipment, shall not be entitled to recover from TFT any consequential or incidental damages for injury to person and/or property resulting from any defective equipment manufactured or assembled by TFT. It is agreed and understood that the price stated for the equipment is in part consideration for limiting TFT’s liability. Some states or countries do not allow the exclusion or limitation of incidental or consequential damages, so the above may not apply to you.

TFT shall have no obligation under this limited warranty if the equipment is, or has been, misused or neglected (including failure to provide reasonable maintenance) or if there have been accidents to the equipment or if it has been repaired or altered by someone else.

THIS IS A LIMITED EXPRESS WARRANTY ONLY. TFT EXPRESSLY DISCLAIMS WITH RESPECT TO THE EQUIPMENT ALL IMPLIED WARRANTIES OF MERCHANTABILITY AND ALL IMPLIED WARRANTIES OF FITNESS FOR A PARTICULAR PURPOSE. THERE IS NO WARRANTY OF ANY NATURE MADE BY TFT BEYOND THAT STATED IN THE DOCUMENT.

This limited warranty gives you specific legal rights, and you may also have other rights which vary from state to state.

TFT.com

US: 1-800-348-2686 tft: 1-219-462-6161 Catalogs Support Library News & Events Request a Demo Log in

TASK FORCE TIPS
FIRE FIGHTING EQUIPMENT

Products Education About Find a Dealer

First On Scene with Innovation

NEW IDEAS LIVE HERE

Why TFT? Request a Demo

Featured Product
Explore the New Force Line
FIGHT FIRES, NOT YOUR BUDGET

Learn More

Find a TFT Dealer Near You

H₂Ow

TASK FORCE TIPS
FIRE FIGHTING EQUIPMENT

H₂Ow is a series of videos designed to teach the fundamentals of firefighting water flow and to deliver fact-based results that are measurable and grounded in physics, not opinion. H₂Ow helps firefighters with information that allows them to do more once they have the facts. tft.com/education

Fire Watch

TASK FORCE TIPS
FIRE FIGHTING EQUIPMENT

Fire Watch is a video series where fire departments share their stories. See department challenges, lessons learned, and firefighters experiences with TFT products. tft.com/education

Get the latest from TFT everyday on Facebook, Twitter, Linked-In, Instagram, and You Tube.

TASK FORCE TIPS
FIRE FIGHTING EQUIPMENT

TFT.com
(800) 348-2686

f t in i y

TFT PROUD

tft.com
Water is All We Do

Learn More

News and Events

VIRGINIA FIRE + RESCUE CONFERENCE

WWW.VFCA.US

Event
Virginia Fire & Rescue Show

Virginia Beach Convention Center
Feb 20, 2019 - Feb 24, 2019

View Event Details

50th Annual STATE FIRE SCHOOL

February 24 - 25, 2019

Event
Iowa State Fire School

Schermer Building
Feb 24, 2019 - Feb 25, 2019

View Event Details

TFT Releases SHO-FLOW® 1 Flow Meter Series

Jan 18, 2019

News

View News Article

All News and Events

Need help finding something? Type to search

Find a TFT Dealer Near You

View Our Product Catalog

Join the Conversation

-  facebook.com/TaskForceTips
-  twitter.com/taskforcetips
-  linkedin.com/company/task-force-tips/
-  instagram.com/taskforcetips
-  youtube.com/c/TaskForceTips

You'll Find Everything You Need at TFT.com Including:

- Interactive Web Catalog
- Enhanced Search Features
- Online Technical Library
- 24 Hour Customer Service
- TFT Dealer Locator
- News and Events

TFT.com/support

Access comprehensive product information simply by entering your unique TFT serial number.



TASK FORCE TIPS
FIRE FIGHTING EQUIPMENT

800-348-2686
TFT.com

MADE IN USA 

Wildland Fire

Fixed and Remote Control Monitors
Fixed and Remote Control Nozzles
Nozzles Handheld
Valves, Wyes and Tees
Foam Equipment and CAFS Nozzles
Tools and Accessories



Handheld Nozzles

Fixed, Selectable and Automatic
Standard, Low and Dual Pressure
Smooth Bores and Ball Valves
Pressure Gauges and Flow Indicators
Specialty Nozzles & Accessories

Industrial Fire

Fixed Station and Portable Monitors
Master Stream Nozzles
Self Educating Foam Nozzles & Attachments
LDH Hardware, Manifolds, Intake and Discharge Valves
Hazardous Location Monitors



Fire Apparatus Equipment

Fixed and Remote Control Monitors and Nozzles
Intake Valves, Adapters, Elbows and Fittings
Monitor Manifolds
Tools and Accessories

Water Supply

Intake Valves
Jumbo Wyes, Siamese and Gated Manifolds
Hydrant Assist Valves
Gated Wyes and Water Thiefs
Suction Hose Strainers



Foam Equipment

Foam Nozzles and Attachments
Eductors
Self-Educting Nozzles
Foam Injection and Application Systems